

# PARTS LIST



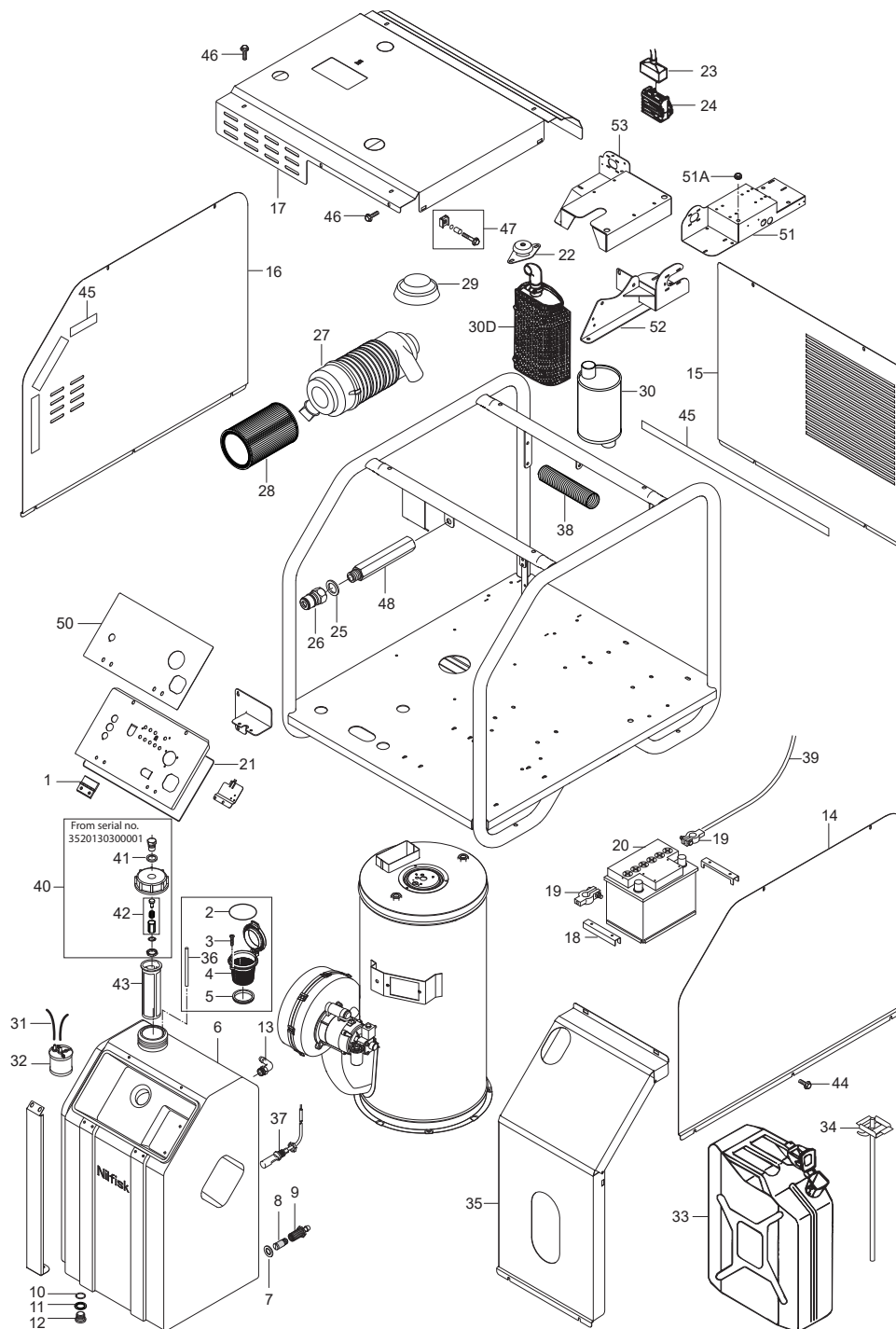
2025.08.29

# NILFISK

# TABLE OF CONTENTS

---

Overview large .....	1
Generator and belt .....	4
Oil container .....	6
Motor C3 .....	8
Cylinder block C3 .....	10
Regulation block C3 .....	12
Flow control - Safety valve .....	14
Electrical components .....	16
Fan .....	18
Distributor .....	20
Burner unit .....	22
Boiler .....	24
Default accessories .....	26
OPTION anti-scale and water tank .....	28
Wheel kit (large) .....	30
RECOMMENDED SPARE PARTS .....	32



Pos.	Artikel-Nr.	Menge	Variante	Notes
1	106268010	4	HINGE KIT	
2	909100173	1	O-Ring 56x5	[1]
3	18086	1	Blechschraube 2,9x13	[1]
4	301001292	1	Sieb	[1]
5	301000620	1	Dichtring	[1]
6	106268011	1	FUEL TANK/EL-BOX KIT	
7	1803493	1	Dichtungsscheibe	
8	1400092	1	Filter	
9	106268012	1	Schlauchbefestigung	
10	3000064	1	O-Ring 14,1x1,6	
11	1801075	1	Dichtring	
12	3004350	1	PLUG 3/8 RG	
13	1601111	1	HOSE SOCKET ELBOW D6X1/4 INCH	
14	106268077	1	Abdeckung Rahmen rechts	
15	106268078	1	CABINET BACK KIT	
16	106268079	1	CABINET LEFT KIT	
17	106268080	1	COVER KIT	
18	106268018	1	FITTING KIT	
19	103821956	1	BATTERY TERMINAL -NEGATIVE	
19	103821955	1	BATTERY TERMINAL PLUS POLE	
20	3804523	1	Batterie 12V-44 Ah	[2]
20	1467682000	1	BATTERY STARTER 12V 70AH-C20 SIP	[3]
21	106268068	1	Dichtungssset	
22	106268020	2	VIBR. DAMPER M12 KIT	
23	103821890	1	Stecker für Motorleitung	[4]
24	103821889	1	Laderelais für RUGGERINI-	[4]
25	1801075	1	Dichtring	
26	1603101	1	Nippel Schnellkupplung	
27	4809294	1	Filter komplett	[5]
28	4809295	1	Luftfilter	[5]
29	4809293	1	Einlassabdeckung	[5]
30	4809280	1	SOUND ABSORBER	[5]
30D	6228934	1	Auslaß	[6]
31	107318160	2	OIL/PETROL HOSE 3 METERS	[7]
32	6200466	1	Brennstofffilter,kompl.	[7]
33	2012243	1	CONTAINER FUEL 20L	[8]
34	106268109	1	COVER FOR CANISTER SPAREPART	[9]
35	106268081	1	CABINET FRONT KIT	
36	106268098	1	AIRING PIPE NEPTUNE PE-DE	[1]
37	101117746	1	Kraftstoffmangel Sicherhe	
38	106268099	1	FLEX SCHLAUCH SATZ	
39		1	Cable for battery 50mm2	[10]
40	106268115	1	LID FOR FUEL TANK COMP.SPAREPART	
41	1801075	1	Dichtring	
42	1119566	1	Reparatursatz fuer Ruecks	
43	107144862	1	Tankfilter Ø49,5X140	
44	106268067	10	SCREW KIT	[11]
45	106408238	1	ADHESIVE TAPE 15X2 MEWA RUBBER- 2 METERS	
46	106268116	6	SCREW M6X16 HEX A2 DIN6921	
47	101118128	6	SCREW KIT FOR CABINET NEPTUNE 7-72DE	
48	106268117	1	FITTING FOR OUTLET	[12]
50	106268119	1	FRONT LABEL (RUGGERINI)	[13]
50	106268121	1	FRONT LABEL (MITSUBISHI)	[5]
50	106268122	1	FRONT LABEL (HONDA 2)	[14]
51	107142897	1	BASE FOR MOTOR-PUMP UNIT SPPT	
51A	107146527	2	CABLE GORMMET TET 7-10	[15]
52	106268128	1	MOTOR BRACKET FOR 7-72DE	
53	106268127	1	MOTOR BRACKET FOR 7-66DE	

## Part Notes:

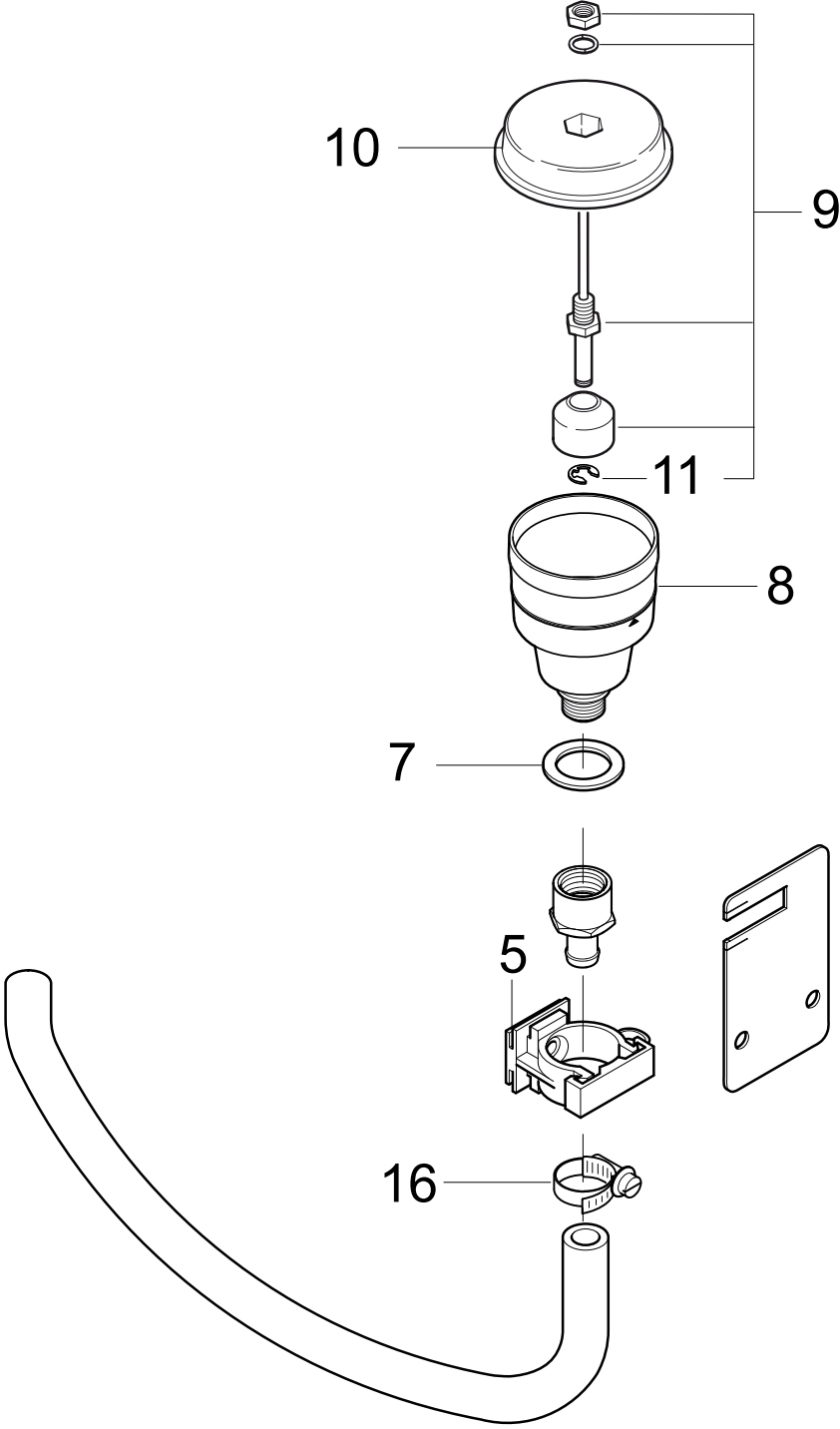
- [1] - For machines produced before serial no. 3520130300001 you have to buy pos. 38 and 41 too.
- [2] - NEPTUNE 7-66DE / MH 7P 200/1200 DE
- [3] - NEPTUNE 7-72DE / MH 7P 220/1300 DE
- [4] - 7-66DE  
STOCK COVERS GUARANTEE
- [5] - 7-72DE
- [6] - STOCK COVERS GUARANTEE  
NEPTUNE 7-66ED / MH 7P 200/1200DE
- [7] - 7-66DE, 7-72DE
- [8] - 5-85PE  
GUARANTEE DATE EXPIRED
- [9] - 5-85PE  
NO LONGER AVAILABLE
- [10] - Cable for battery 50mm2
- [11] - M6x20mm DIN7500 N
- [12] - 5-85PE, 7-66DE, 7-72DE
- [13] - 7-66DE
- [14] - NO LONGER AVAILABLE  
5-85PE
- [15] - NEVER LAUNCHED



Pos.	Artikel-Nr.	Menge	Variante	Notes
1	101118177	1	GENERATOR KIT FOR NEPTUNE PE/DE	[1]
2	3803772	1	Tülle	[2]
2A	106268049	1	Haltering Sicherungs-	[3]
3	107146528	2	Schraube M5X12 ISO 14583-A2 TORX	[2]
3A	106268050	1	Lager Set	[3]
4	909100043	1	Kabelverschraubung	[2]
4A	106268051	1	Flansch Set	[3]
5	909100019	1	Sechskantmutter M20x1,5 EN 50262 PA	[2]
5A	106268053	1	Achse 5-46 5-54 5-85 7-61	[3]
5A	106268052	1	AXLE 5-51DE 7-72DE SPAREPART	[3]
6	106268054	1	RIEMENSCHLEIBE 5-46PE 7-61PE 7-66	
6	106268090	1	PULLEY 5-85PE	[4]
6	106268056	1	PULLY 5-51DE KIT	
6	106268107	1	PULLEY 7-72 SPAREPART	
6	106268055	1	PULLY 5-54PE KIT	
7	106268058	1	TAPER-BUSHING 5-54PE 7-72DE SPAREPART	
7	106268059	1	TAPER-BUSHING 5-51DE 5-85PE SPAREPART	
7	106268057	1	KONUSRING 5-46 7-61PE 7-66DE	
8	106268060	1	COVER FOR BELT KIT	
9	106268062	1	BELT 5-51DE KIT	
9	106268108	1	Riemen 7-66	
9	106268061	1	BELT 5-46PE 5-54PE 7-61PE KIT	
9	106268106	1	BELT 7-72DE SPAREPART	
9	106268091	1	BELT 5-85PE	[4]
10	106268071	1	PULLEY 5-51DE KIT	

## Part Notes:

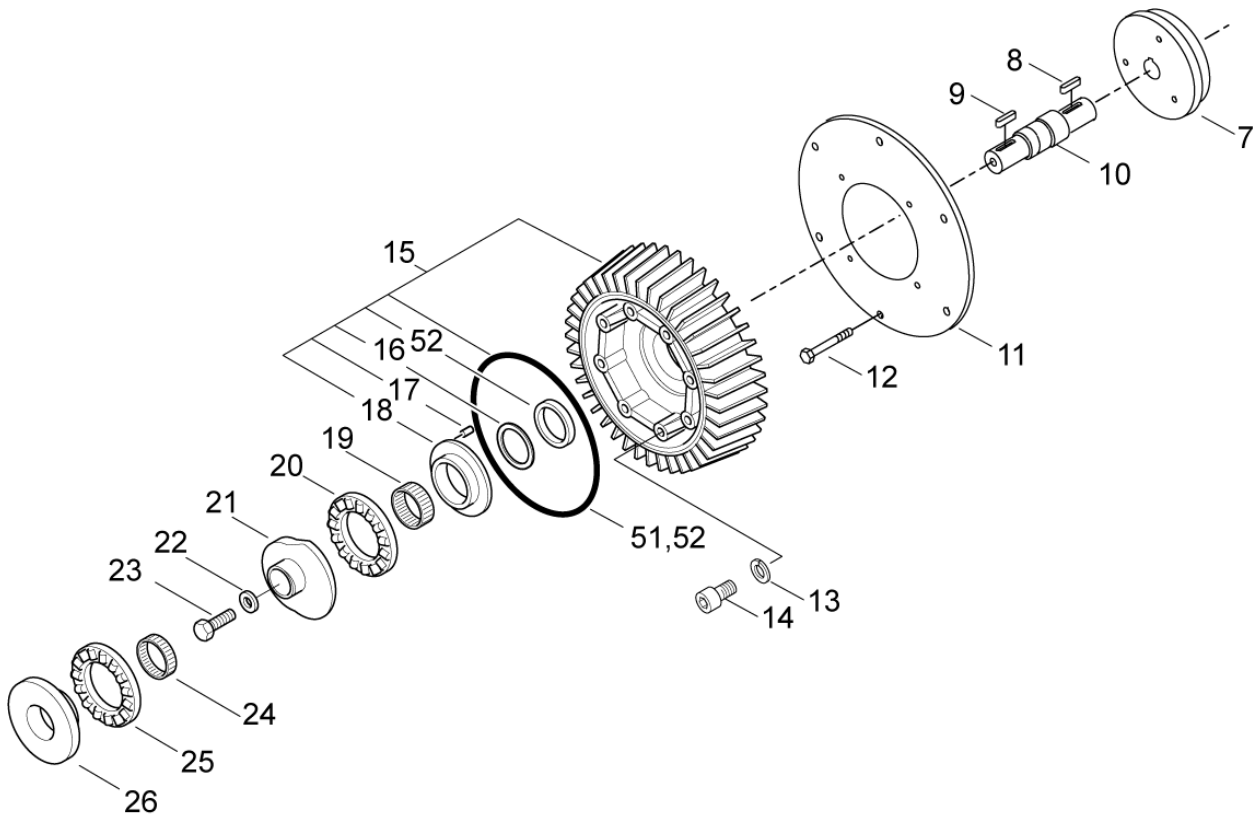
- [1] - MI -106269038\_Generator spacer MH PE-DE
- TSB-PPW-2016-004 MH 5M\_MH 7P PE\_DE New Type 230V Generator  
DE TSB-PPW-2016-004 MH 5M MH 7P PE DE neuer Typ des 230V Generators
- [2] - From 2016.06
- [3] - Up to 2016.06
- [4] - GUARANTEE DATE EXPIRED



Pos.	Artikel-Nr.	Menge	Variante	Notes
0	200060	1	Öl Schmier- SAE 1Liter 1	[1]
5	104601175	1	Kalmmmer für Rohr, 25mm	
7	1807932	2	Dichtring	
8	301000614	1	Öltank	
9	301001196	1	Schwimmerschalter	
10	301000615	1	Deckel	
11	107142593	1	HOLDING WASHER PE	[2]
16	1805100	2	Schlauchschelle 8-22x 8	

## Part Notes:

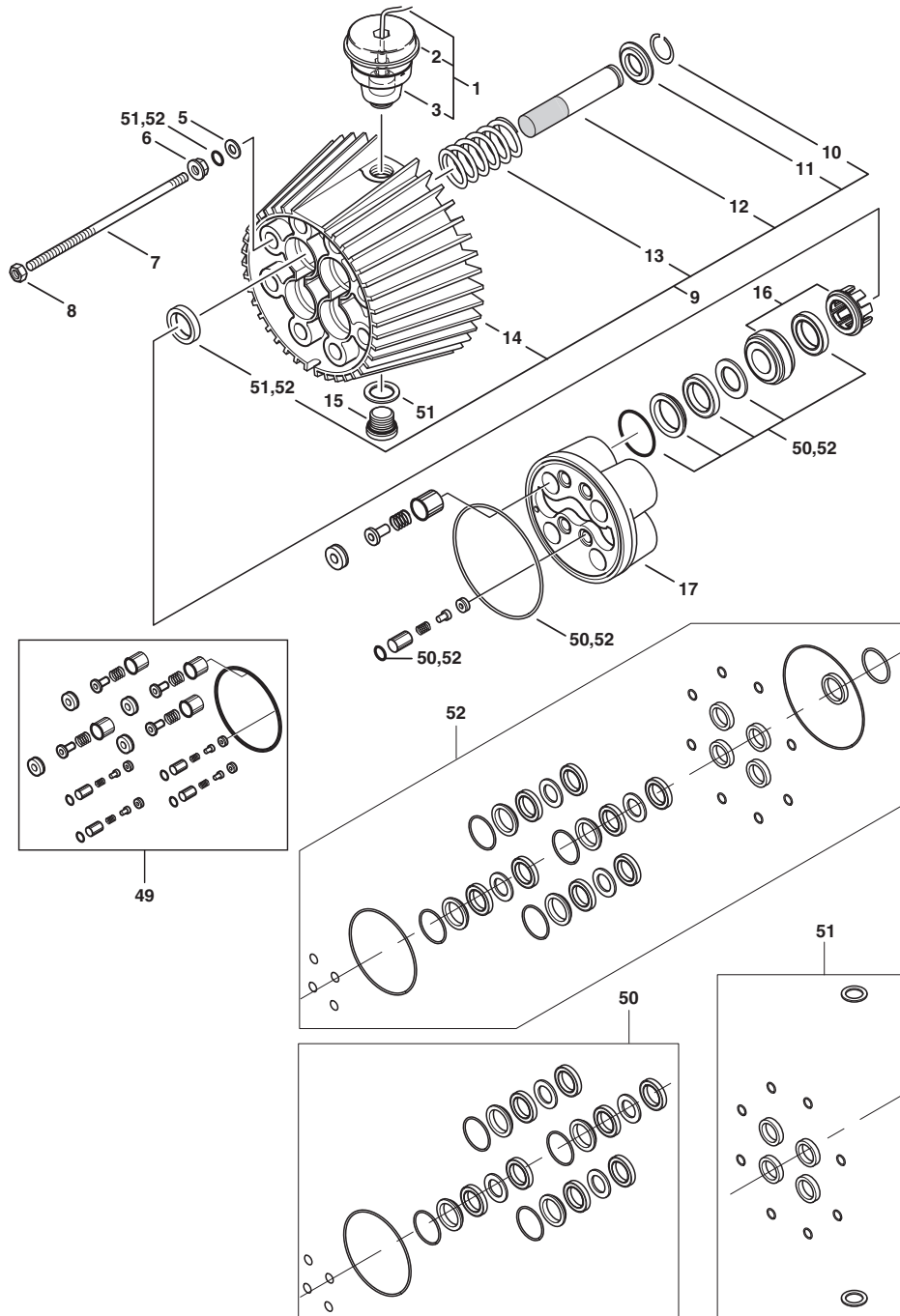
- [1] - 0,65 L for MH 5M 220/1000 PENEPTUNE 5-46PE / 5-54PE  
1,1 L for MH 7P 200/1200 DEMH 7P 220/1120 PEMH 7P 220/1300 DENEPTUNE7-61PE / 7-66DE7-72DE  
OIL TYPES\_QUANTITY for HPW\_APRIL 2017
- [2] - TSB-PPW-2016-017 Locking ring for oil level switch falling off



Pos.	Artikel-Nr.	Menge	Variante	Notes
00	4808961	1	Motor, kpl., Mitsubishi	
7	4808973	1	Motorflansch	
8	3200789	1	Passfeder A 8x7x32 DIN	
9	3200672	1	Passfeder 6x6x32	
10	4808975	1	Welle	
11	4808972	1	Pumpenflansch	
12		6	Screw M10x1,25x25 - 8.8 A2K DIN 933	
13	1801182	2	Federring 8,1	
14	1803337	2	Zylinderschraube M8x 25	
15	6101750	1	D-Lagerdeckel Kompl.	
16	6100995	1	Scheibe 53x40,5x1,25	
17	6100996	1	Kegelstift	
18	107120703	1	Lagerscheibe Motorseitig	
19	3200656	1	Nadellager K40x45x17	
20	3200615	1	Axialrollenlager	
21	107120715	1	Taumelscheibe No.11	[1]
22	6162603	1	SCHEIBE	
23	2753	1	Sechskantschraube M8x 20 ISO 4017 zn	
24	3200664	1	Nadellager K40x45x13A	
25	3200615	1	Axialrollenlager	
26	107120704	1	Lagerscheibe Pumpenseiti	[1]
51	1119820	1	Reparatursatz Öldichtung	
52	1119570	1	Dichtsatz	

## Part Notes:

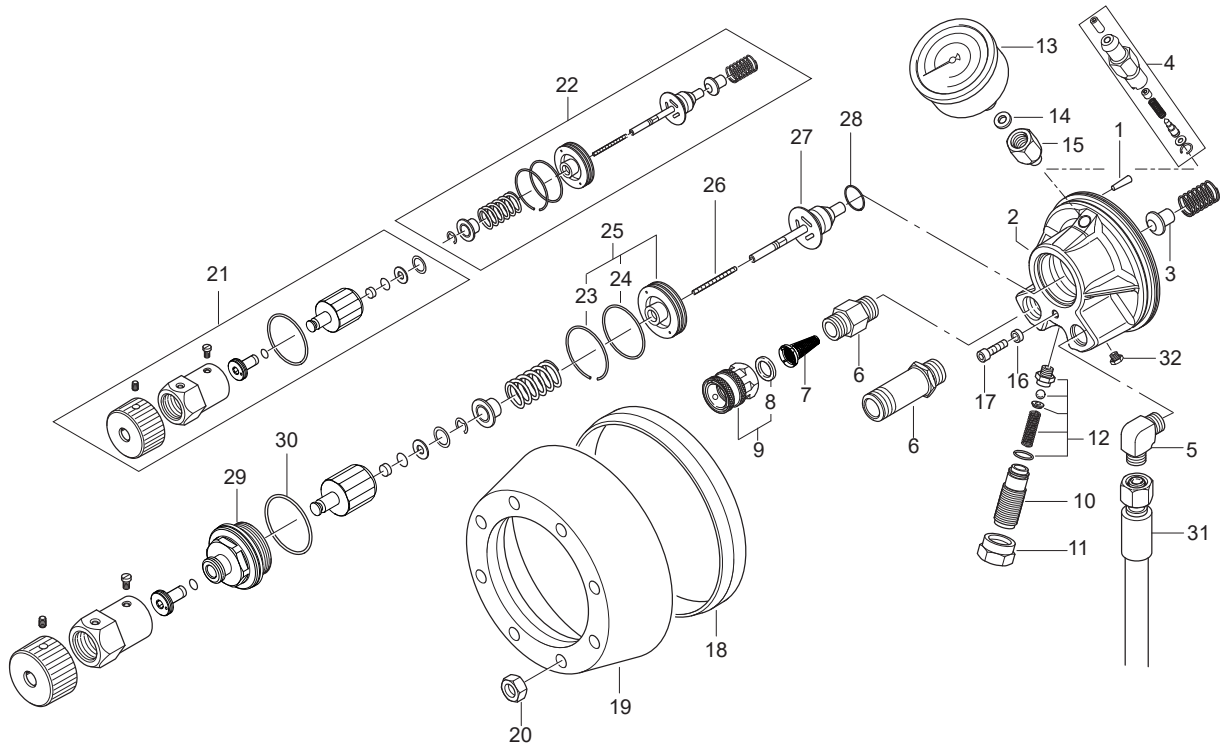
- [1] - TSB-PPW-2019-007 C3 NA6 Wobble Disc and Bearing Track surface hardening change



Pos.	Artikel-Nr.	Menge	Variante	Notes
	31001229	1	OIL ISO 150 ALPHASYN-T 20L	
0-	5218433	1	Pumpenöl 150 1x1l	
1	301000616	1	Füllstandsanzeige Pumpenöl	
2	301000615	1	Deckel	
3	301000614	1	Öltank	
4	19690	1	O-Ring 19x1,8	
5	6100718	8	Scheibe 10x16x1	
6	6100719	8	Druckring	
7	6301368	8	Stehbolzen	
8	1800465	8	Mutter M10	
9	6300071	1	Zylinderblock Kompl.	
10	1802529	4	Sicherungsring 24	
11	6100666	4	Ring	
12	6301166	4	Keramischer Druckkolben	
13	102602517	4	RUECKHOLFEDER C3	
14	6100610	1	Zylinderblock	
15	6150400	1	Verschlusspfropfen	
16	107120700	4	DruckringStützring (1 St.)	
17	107120701	1	Zylinderkopf C3	
49	1119310	1	ET-Set Ventile [4x]	[1]
50	1119571	1	Dichtsatz	[2]
51	1119820	1	Reparatursatz Öldichtung	
52	1119570	1	Dichtsatz	[2]

## Part Notes:

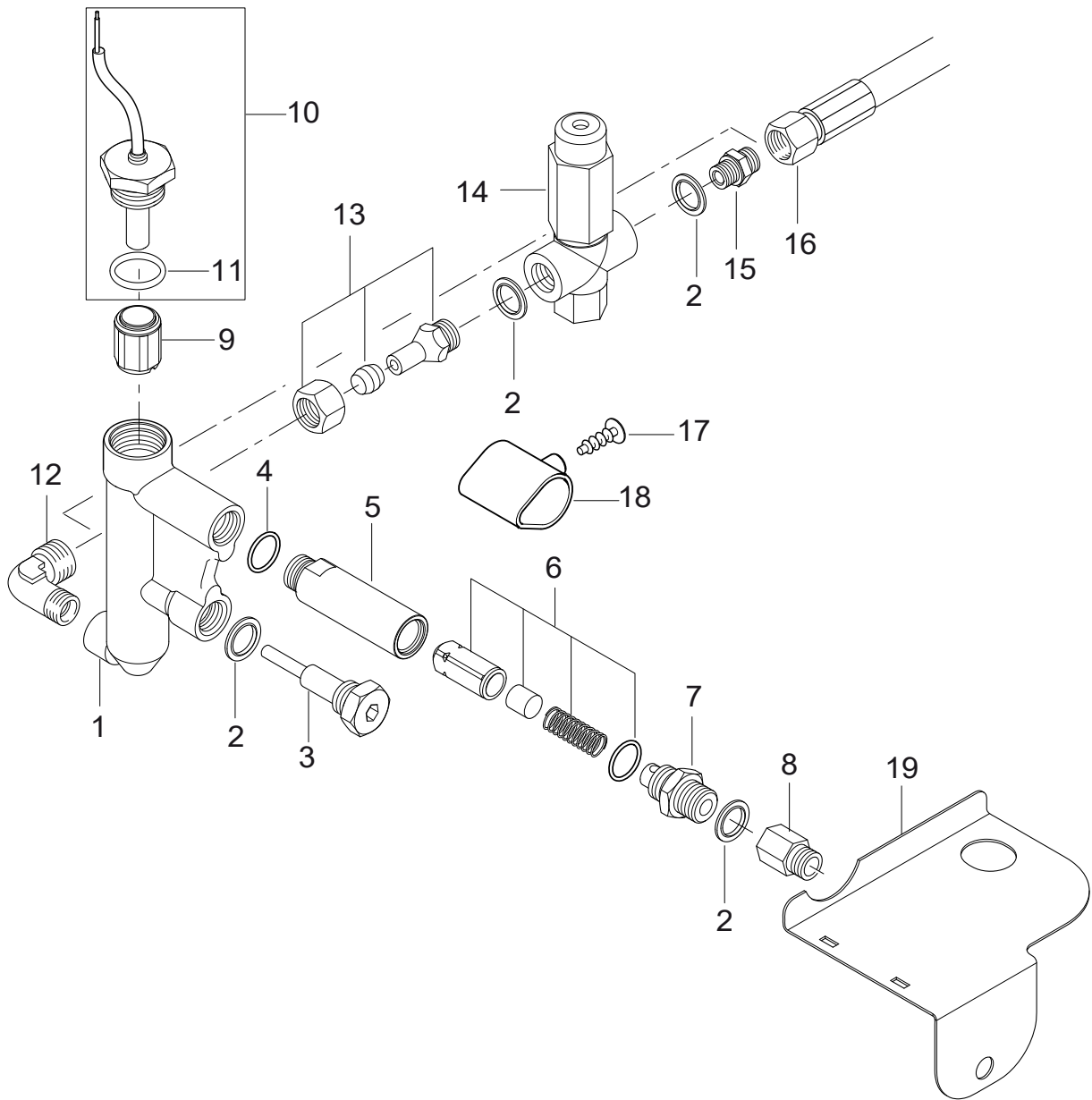
- [1] - TSB-PPW-2016-011 Rep kit 1119571 and 1119570 potential have wrong O-ring in kit
- [2] - TSB-PPW-2016-011 Rep kit 1119571 and 1119570 potential have wrong O-ring in kit
- DE TSB-PPW-2016-011 Rep Kit 1119571 und 1119570 beinhalten möglicherweise einen falschen O-Ring



Pos.	Artikel-Nr.	Menge	Variante	Notes
1	6100996	1	Kegelstift	
2	6101042	1	Ventildeckel	
3	6100915	1	Ventilkegel f. Ruecklauf-	
4	101118145	1	BY-PASS VALVE KIT - NEPTUNE PE/DE	
5	1600444	1	Verschr. DIN 2353 G X12L	
6	107120600	1	Filtergehäuse Poseidon	
7	6100941	1	Filter	
8	3000320	1	O-Ring 20x3	
9	1602945	1	Kupplung kpl. 3/4	
10	6100940	1	Einstellschraube	
11	6100928	1	Mutter	
12	1118512	1	Sicherheitsventil	
13	3600996	1	Manometer	
14	1602127	1	Ring 6/11x4,5	
15	107120603	1	Nippel R1/8x18	
16	6100985	1	Sicherungsscheibe	
17	3913	1	Zylinderschraube M6x12	
18	6301392	1	Abstandsring	
19	6100602	1	Spannring	
20	1800465	8	Mutter M10	
21	1118538	1	Reparatursatz Regelventil	
21A	1802610	1	Seegerring	
22	1118520	1	Reparatursatz fuer Umlauf	
23	6101061	1	Kolbenring	
24	3001716	1	O-Ring 35,1x1,6	
25	6228554	1	Kolben, kompl.	
26	2600286	1	Feder	
27	6101784	1	Ventilkegel komp.	
28	6441	1	O-Ring 11,0 X2,0 DIN	
29	6100984	1	Buchse f. Justierspindel	
30	3001179	1	O-Ring 39,6x2,4	
31	106268112	1	HP HOSE DN10 L625MM SPARE PART	[1]
31	106268111	1	HP HOSE DN10 864 DKL-DKL	[2]
31	106268044	1	HD Schlauch DN10 L1200mm	[3]
32	106268066	1	Stecker Satz	

## Part Notes:

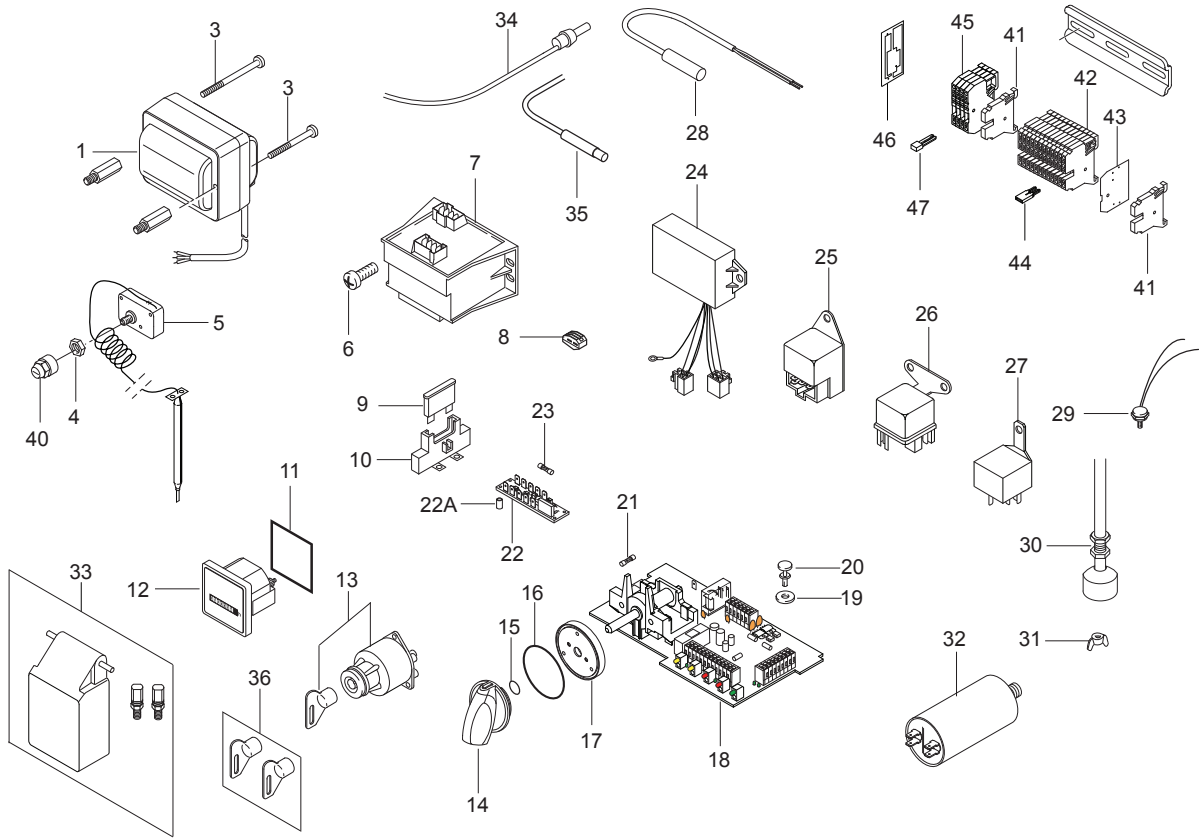
- [1] - NEPTUNE 7-66 DE and MH7P 200/1200 DE
- [2] - Before serial nb.: 3520242000567
- 7-72 DE and MH7P 220/1300 DE
- [3] - 7-61 PE and MH7P 220/1120 PE



Pos.	Artikel-Nr.	Menge	Variante	Notes
1	6201545	1	Gehäuse f. Stroemungssch	
2	1801075	4	Dichtring	
3	106268042	1	Stopfen Set M16	
4	3000064	1	O-Ring 14,1x1,6	
5	107120501	1	Gehäuse Magnetschalter	
6	101119411	1	Reparaturatz Steuerkolbe	
7	107120504	1	Nippel 3/8/SW22x39	
8	106268072	1	FITTING 12-L 3/8 KIT	
9	6350454	1	Kolben	
10	6221773	1	Reedschalter mit O-Ring	
11	3000825	1	O-Ring 20,24x2,62	
12	1839	1	VERSCHR. XWE 12LR1/4 Z	
13	6220554	1	Verbindungsstück	
14	101117722	1	Sicherheitsventil 250 5/	
15	1601079	1	Verbindungsstück	
16	106268110	1	HP HOSE DN10 900 DKL-DKR90	[1]
16	106268112	1	HP HOSE DN10 L625MM SPARE PART	[2]
16	106268044	1	HD Schlauch DN10 L1200mm	[3]
16	106268111	1	HP HOSE DN10 864 DKL-DKL	[4]
16	106268046	1	HP HOSE DN10 585 DKL-DKR90	[5]
17	1814614	1	Schraube 5x18	
18	62399	1	Halter	
19	106268129	1	FITTING FOR PIPE	

Part Notes:

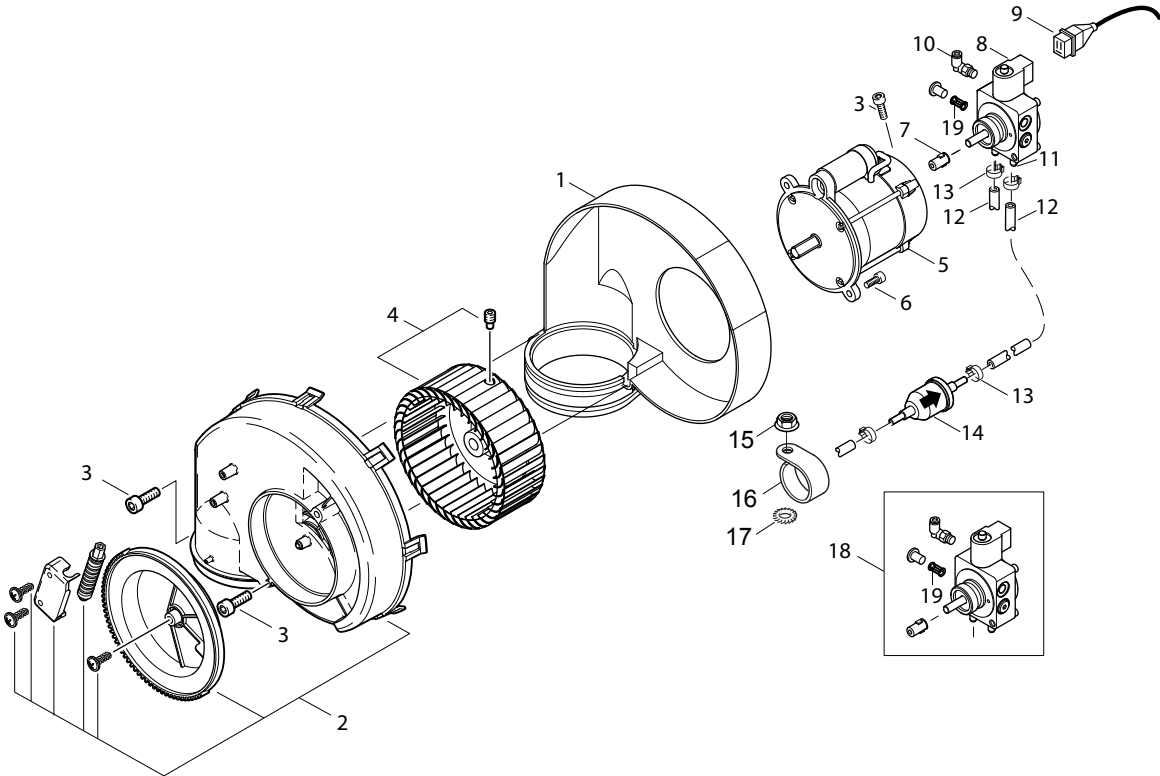
- [1] - NEPTUNE 5-85PE
- [2] - NEPTUNE 7-66DE
- [3] - NEPTUNE 5-54PE, 7-61PE, 5-46PE
- [4] - NEPTUNE 7-72DE  
Before serial nb.: 3520242000567
- [5] - NEPTUNE 5-51DE



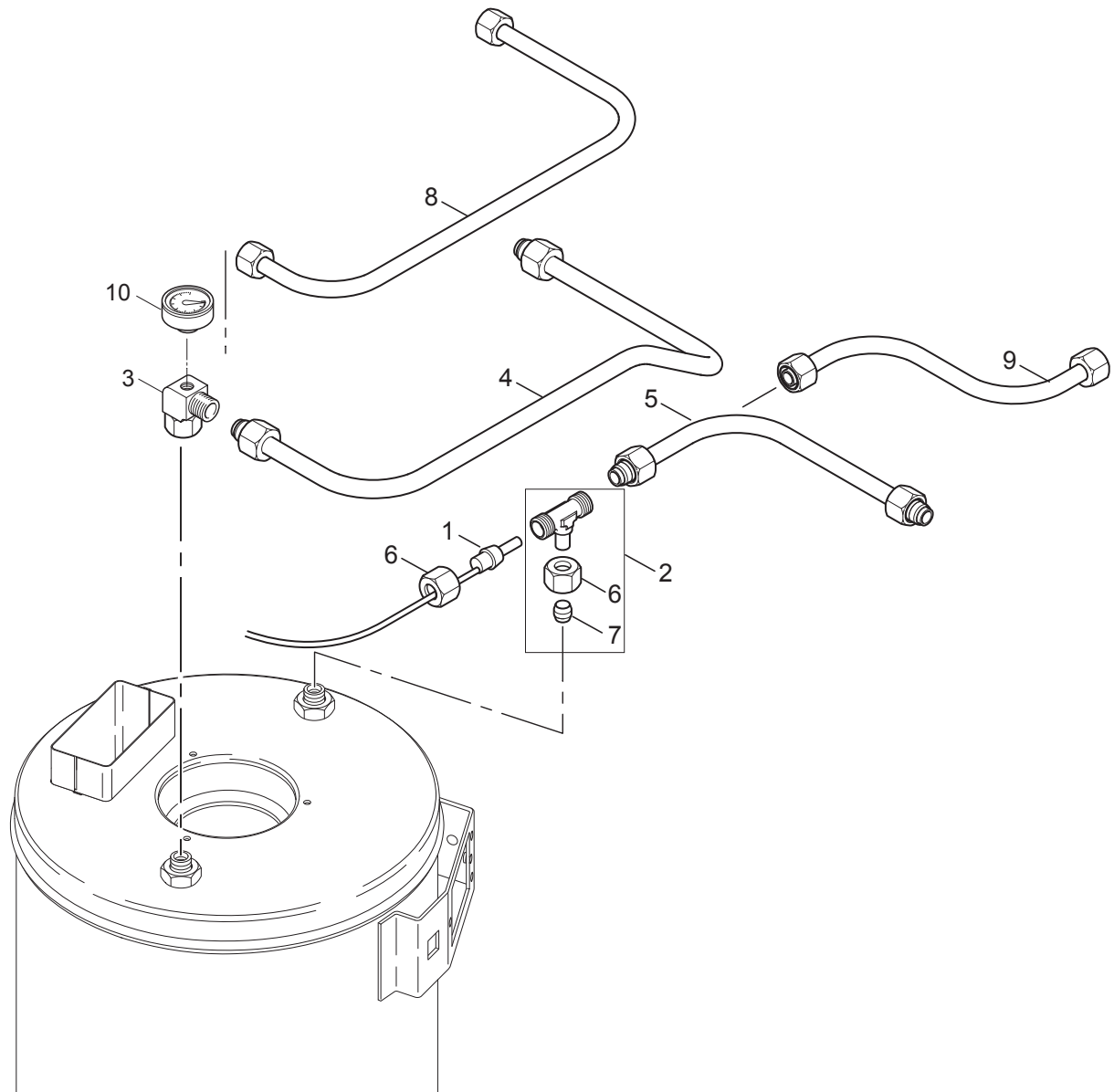
Pos.	Artikel-Nr.	Menge	Variante	Notes
1	301000879	1	Zündtrafo	
3	1809821	2	Schraube M5x50	
3	106268039	2	SCREW M5X65 KIT	
4	47313	1	Mutter M10x1x3	
5	106268028	1	Abgas Sicherheits Thermostat Kit	
6	15146	2	Linsenschraube M5x12 H DIN 7985 A2	
7	106268125	1	POWER TRANSFORMER 260/400 - 24/8 T60 US	[1]
8	301001229	1	Klemmleiste	
9	4812226	1	FUSE 10A RED	
10	4812306	1	FUSE HOLDER	
12	106268031	1	Betriebsstundenzähler	
13	106268041	1	STARTING SWITCH	
14	909100204	1	Drehknopf 6x5 blau	
15	9868	1	O-Ring 10x2,5	
16	3003944	1	O-Ring 57,0 x 4,0 DIN	
17	106268038	1	Frontabdeckung	
18	301001231	1	Leiterplatte	
19	4814084	1	WASHER M5 D5.3/D15X1.2 NYLON PA6.6 NATUR	
20	106268029	1	SNAP RIVET KIT	
21	4812226	1	FUSE 10A RED	
22	106268040	1	LED Display	
22A	106268037	2	SPACER FOR LED BOARD KIT	
23	4812225	1	FUSE 30A GREEN	
24	4809292	1	Überwachungsrelais	
25	4809282	1	GLUEHZEITSTEUERGERAET	
26	4809281	1	RELAIS	
27	4812224	1	Relais 30A	
28	106268032	1	Reedschalter Set	
29	106268033	1	Sicherheitsthermostat	[2]
30	106268034	1	SCHWIMMERSCHALTER SET	
31	106268035	1	WING NUT M8 KIT	
32	106268036	1	CAPACITOR 20MF KIT	
33	106268086	1	COVER FOR KEY KIT	
34	301000730	1	Temperaturfühler	
35	301000729	1	Fotodiode	
36	31000838	1	KEY FOR STARTING SWITCH 2 PCS	
40	34970	1	Kappe f. Temp.-Begrenzer	
41	103821922	2	Abschlussplatte	
42	103821920	14	Reihenklemme	
43	103821921	1	Endplatte	
44	103821923	1	Brücke 2-polig	
45	107307394	4	WIRE TERMINAL 4Q WAGO 2004-1201	
46	107307392	1	END PLATE 4Q WAGO 2004-1291	
47	103821969	1	Steckbrücke	

Part Notes:

- [1] - For NETPUNE 5-54PE, NEPTUNE 7-61PE, NEPTUNE 5-51DE, NEPTUNE 7-66DE and NEPTUNE 7-72DE  
 [2] - 60 C degrees



Pos.	Artikel-Nr.	Menge	Variante	Notes
1	301000495	1	Lüftergehäuse	
2	301000852	1	Abdeckung	
3	32535	3	Zylinderschraube M5x16	
4	301000889	1	Lüfterrad	
5	106408258	1	MOTOR BURNER - 0.29KW/230V/50HZ/1PH	
6	4697	2	Zylinderschraube M6x16	
7	101117707	1	Verbindungskupplung	
8	3821089	1	Spule m. Mutter und Scheibe	
9	101117703	1	Zuleitungskabel Magnetven	
10	101117706	1	Winkerverschraubung	
11	101117777	1	Schlauchverbindung zur Öl	
12	106408244	1	HOSE D6X2.5 - 5 METERS	
13	11654	2	Schlauchklemme 11,5	
14	301002926	1	Filter 101X36.5X6 KU	
15	12496	1	Sechskantmutter M6	
16	101117705	1	Halterung Brennstofffilte	
17	7062	1	Zahnscheibe A 6,4 DIN 6797 zn	
18	101117673	1	Ölpumpe komplett	
19	31001081	1	FILTER FOR OIL PUMP	



Pos.	Artikel-Nr.	Menge	Variante	Notes
1	301000730	1	Temperaturfühler	
2	101118093	1	Verbindungsstück	
3	101117911	1	Winkel	
4	106268026	1	HP PIPE INLET KIT	[1]
5	106268027	1	HP PIPE OUTLET KIT	[1]
6	1081	2	Überwurfmutter DIN 3870-A L 12 St/zn	
7	1080	1	CUTTING RING L12 B DIN 3861 ST/ZN	
8	106268084	1	HD ROHR EINLASS SET	[2]
9	106268085	1	HP PIPE OUTLET KIT	[2]
10	301000246	1	Manometer	

## Part Notes:

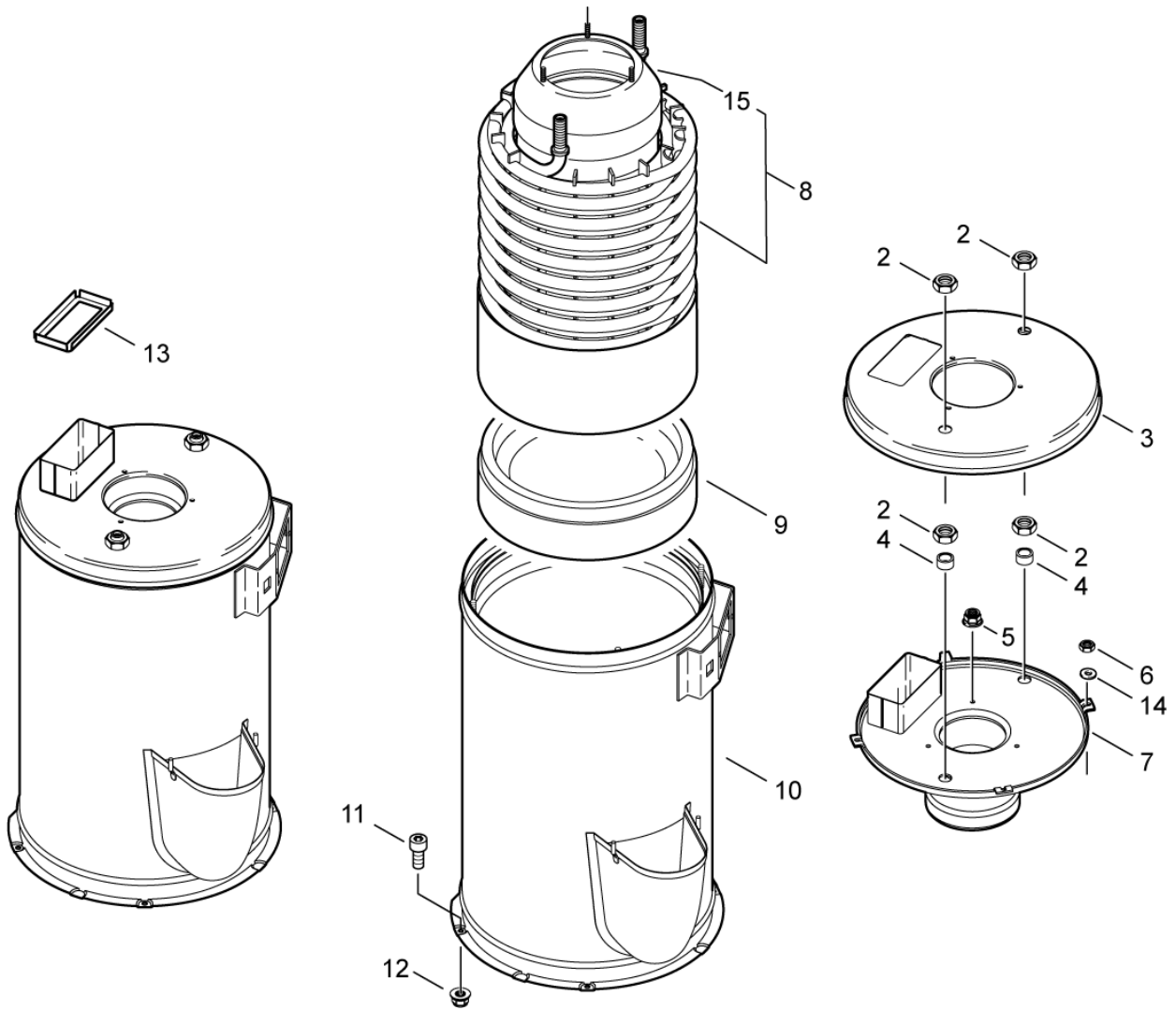
- [1] - 5-46PE, 5-54PE, 7-61 PE, 5-51DE  
[2] - 5-85PE, 7-66DE, 7-72DE



Pos.	Artikel-Nr.	Menge	Variante	Notes
1	101117757	1	Abdeckung Brenner komplet	
2	4820	1	Zylinderschraube M5x10	
3	101117876	1	Sicherungsring	
4	106268030	1	ZUENDKABEL SET	
5	5606	1	Blechschrabe 2,9x19	
6	301000934	1	Halter	
7	301000729	1	Fotodiode	[1]
8	101117913	1	Winkelverschraubung	
9	909100141	1	Brennstoffleitung 4x1 mm x 1 m	
11	101117915	1	Düsenstock	
12	301150009	1	Elektrode	
13	909100144	1	Federscheibe B5	
14	909100143	1	Schraube M4x4,5	
15	301000886	1	ÖLDÜSE H 1,75 GAL/H 6,55 KG/H 60 GRAD	[2]
15	301001068	1	ÖLDÜSE H 1,35 GAL/H 5,17 KG/H 60 GRAD	[3]
15	101118013	1	Öldüse 2.25 GAL/H	[4]
16	301001833	1	Stauscheibe 90x59,2	[5]
16	301001834	1	Stauscheibe	[6]
17	51848	1	Linsenschraube M3x 4 DIN 7985 zn	

## Part Notes:

- [1] - TSB-HPW-2022-004 Flame sensor change
- [2] - 5-54PE, 7-61PE, 5-51DE  
Machine no. 106239530 MH 7P-220/1120PE  
Machine no. 106239610 MH 5M-200/1000DE
- [3] - 5-46PE
- [4] - 5-85PE, 7-66DE, 7-72DE  
Machine no. 106239635 MH 7P-220/1300DE
- [5] - 5-85PE, 7-66DE, 7-72DE
- [6] - 5-46PE, 5-54PE, 7-61PE, 5-51DE



Pos.	Artikel-Nr.	Menge	Variante	Notes
2	7012	4	Mutter 6kt M18x1,5	
3	301000534	1	Deckel	
4	301000582	2	Hülse	
5	12496	3	Sechskantmutter M6	
6	12263	4	Sechskantmutter M6	
7	301001839	1	Brennerdeckel Innen	[1]
7	301001838	1	Deckel	[2]
8	107143301	1	HEIZSCHLANGE B5 EDELSTAHL	[2]
8	301001342	1	Heizschlange-Set VA Ne	[1]
8	301001098	1	Heizschlange	[2]
8	301001099	1	Heizschlange-Set Neptun	[1]
9	301000916	1	Isolierung	[3]
10	301000968	1	Brennermantel	[2]
10	301000969	1	Brennermantel Kpl. Nept	[1]
11	3913	4	Zylinderschraube M6x12	
12	12496	4	Sechskantmutter M6	
13	301001224	1	Blende 118x58x12	[4]
14	2764	4	Scheibe 6,4x1,6 ISO 7089 zn	
15	301000541	1	Abgasführungshaube	

## Part Notes:

- [1] - 5-85PE, 7-66DE, 7-72DE
- [2] - 5-46PE, 5-54PE, 7-61PE, 5-51PE
- [3] - TSB-HPW-2021-002 Chamotte stones in insulation removed
- [4] - GUARANTEE DATE EXPIRED

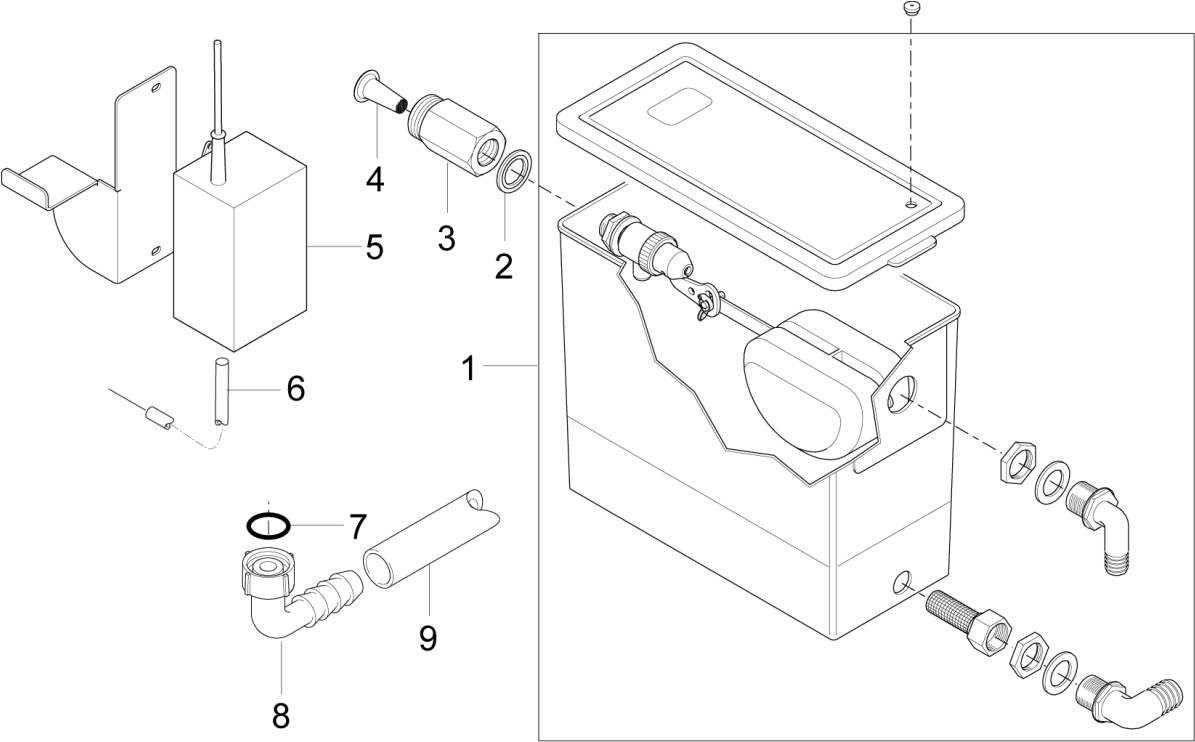
**No  
Diagram  
Available**

**Parts List  
Only**

Pos.	Artikel-Nr.	Menge	Variante	Notes
0-	106403122	1	ERGO 2000 STANDARD W. HOSE SWIVEL	[1]
1	1402064	1	Hochdruckschlauch 15m 3/8 DN10 max 150C	[2]
1	301001100	1	HOCHDRUCKSCHLAUCH ALTO DN 8 15M	[3]
2	106403010	1	TORNADO PLUS 1120 Geb. o. Düse	
2	101119740	1	HD-Düse 0450 TORNADO	[4]
2	101119745	1	HD-Düse 0640 TORNADO	[5]
2	101119746	1	HD-Düse 0650 TORNADO hell	[6]
2	101119741	1	HD-Düse 0500 TORNADO	[7]
2	101119738	1	Düse NT0400	[8]

## Part Notes:

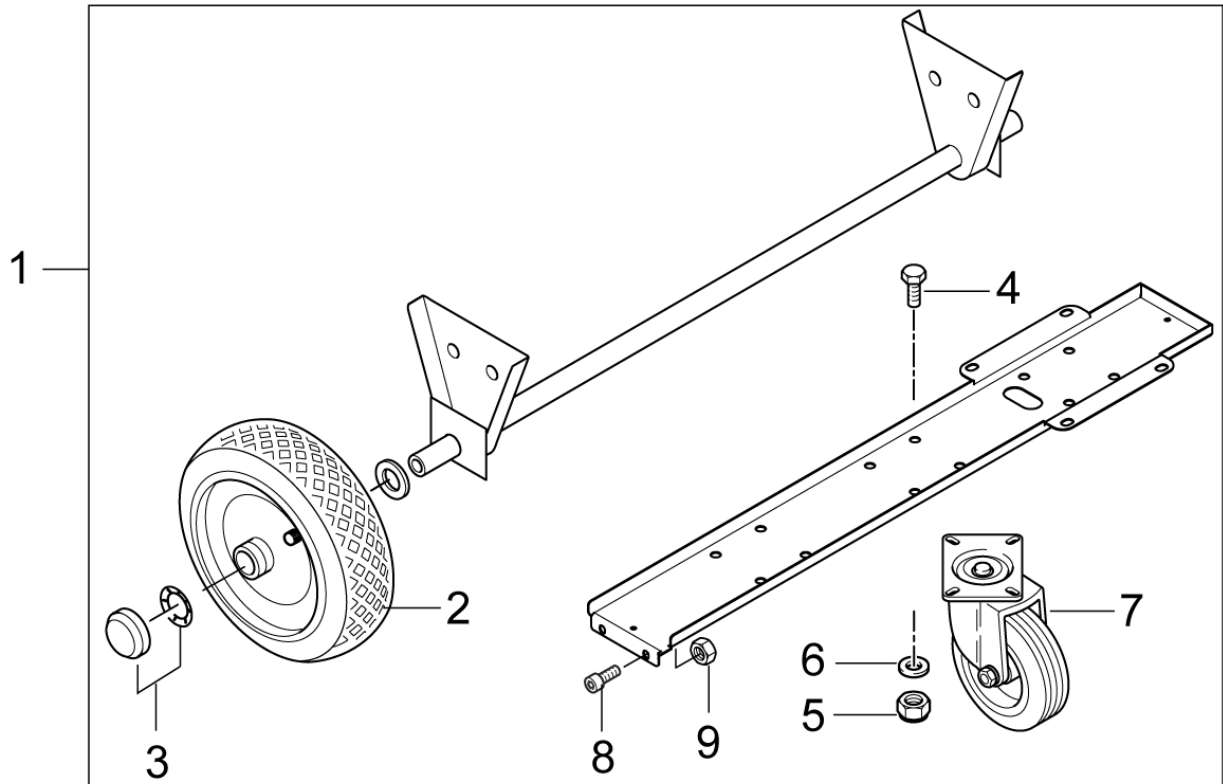
- [1] - ERGO 2000 Spray handle
- [2] - 5-85PE, 7-66DE, 7-72DE
- [3] - 5-46PE, 5-54PE, 5-61DE, 7-61PE
- [4] - 5-54PE, 5-51DE
- [5] - 7-66DE, 7-72DE
- [6] - 5-85PE
- [7] - 7-61PE
- [8] - 5-46PE



Pos.	Artikel-Nr.	Menge	Variante	Notes
0-	106239900	1	ACCESSORY NO SCALE FOR NEPTUNE PE-DE	[1]
1	106268103	1	106268103	
2	1801075	1	Dichtring	
3	106268104	1	HOUSING FOR FILTER KIT	
4	101117926	1	Sieb	
5	101117828	1	Antiscale Pumpe 140ML 24V	
6	5226147	1	Schlauch 4 / 7,2 klar	
7	3001237	1	Dichtung	
8	106268101	1	HOSE COUPLING W/UNION NUT AND GASKET	
9	4808847	1	Schlauch 19 (3/4) MeW	

Part Notes:

[1] - NO REPLACEMENT



# Wheel kit (large)

NEPTUNE 7-72DE / MH 7P 220/1300 DE

2017.11.02

2015.05.07

Pos.	Artikel-Nr.	Menge	Variante	Notes
1	106239901	1	WHEEL KIT NEP 5-85PE 7-66DE 7-72DE LARGE	[1]
2	2011021	2	Luftbereifts rad, 400mm	[2]
3	2004265	2	Kappe	
4	8926	12	Sechskantschraube M10x 20 ISO 4017 zn	
5	1801257	12	Mutter	
6	1800317	12	Scheibe	
7	2013266	1	Lenkrolle D210	[3]
8	8892	2	Zylinderschraube M8x 16 ISO4762 VA	[4]
9	1809920	2	Sechskantmutter M8 I	

## Part Notes:

- [1] - NO REPLACEMENT
- [2] - GUARANTEE DATE EXPIRED
- [3] - NO LONGER AVAILABLE
- [4] - STOCK COVERS GUARANTEE

**No  
Diagram  
Available**

**Parts List  
Only**

# RECOMMENDED SPARE PARTS

NEPTUNE 7-72DE / MH 7P 220/1300 DE

2023.11.23

2024.03.29

Pos.	Artikel-Nr.	Menge	Variante	Notes
00	1119571	1	Dichtsatz	[1]
00	3200672	1	Passfeder 6x6x32	[2]
00	1118546	1	Reparatursatz fuer Umlauf	[1]
00	1118538	1	Reparatursatz Regelventil	[1]
00	301001229	1	Klemmleiste	[2]
00	4809281	1	RELAIS	[3]
00	6350454	1	Kolben	[1]
00	101118252	1	WOBBLE DISC 7.2DEG.BEARING K.NA5.2 PE/DE	[3]
00	107144109	1	Wassereinlass Kit	[1]
00	301001148	1	Dichtungssatz Kolben Ø 18 mm	[1]
00	106268041	1	STARTING SWITCH	[3]
00	107120704	1	Lagerscheibe Pumpenseiti	[4]
00	2010999	1	Rad	[2]
00	106268070	1	Dichtung für Motorpumpeneinheit	[5]
00	301001150	1	Satz Öldichtung	[1]
00	1807932	1	Dichtring	[1]
00	107120501	1	Gehäuse Magnetschalter	[2]
00	6201545	1	Gehaeuse f. Stroemungssch	[2]
00	106268065	1	INLET FITTING KIT	[3]
00	101117673	1	Ölpumpe komplett	[1]
00	106408244	1	HOSE D6X2.5 - 5 METERS	[3]
00	301000879	1	Zündtrafo	[3]
00	6200561	1	Wassermengenregulator kom	[2]
00	3001559	1	O-Ring 23,47X2,62 NITRIL	[1]
00	106268059	1	TAPER-BUSHING 5-51DE 5-85PE SPAREPART	[2]
00	107144102	1	Dichtungssatz Kolben	[1]
00	301001292	1	Sieb	[2]
00	301150009	1	Elektrode	[1]
00	4809282	1	GLUEHZEITSTEUERGERAET	[3]
00	101117707	1	Verbindungskupplung	[1]
00	6164602	1	Dichtung	[6]
00	2003481	1	Radkappe	[2]
00	107143097	1	MOTOR BURNER 390W/200-240V/50/60HZ	[1]
00	106268032	1	Reedschalter Set	[1]
00	106268063	1	Hohlschraube Satz	[3]
00	106268050	1	Lager Set	[3]
00	301000934	1	Halter	[2]
00	301000729	1	Fotodiode	[1]
00	6228663	1	Dichtung	[6]
00	6228554	1	Kolben, kompl,	[1]
00	301000541	1	Abgasführungshaube	[2]
00	3000320	1	O-Ring 20x3	[1]
00	106268055	1	PULLY 5-54PE KIT	[2]
00	107141983	1	CYLINDER BLOCK W/ O-RING NA5.2	[3]
00	106268046	1	HP HOSE DN10 585 DKL-DKR90	[2]
00	301001231	1	Leiterplatte	[1]
00	106268040	1	LED Display	[1]
00	106268042	1	Stopfen Set M16	[2]
00	3001377	1	Zylinderkopfdichtung	[1]
00	106268058	1	TAPER-BUSHING 5-54PE 7-72DE SPAREPART	[2]
00	101118159	1	Bypassventil Neptun 4/5	[1]
00	101117703	1	Zuleitungskabel Magnetven	[3]
00	1119195	1	Reparatursatz Ein-Auslas	[1]
00	1080	1	CUTTING RING L12 B DIN 3861 ST/ZN	[2]
00	301000790	1	Pumpe NP5	[2]
00	1604024	1	Schraube f. Ölfüllung	[6]
00	3001179	1	O-Ring 39,6x2,4	[1]
00	3200664	1	Nadellager K40x45x13A	[2]
00	107120718	1	Taumelscheibe 15 Grad	[4]

# RECOMMENDED SPARE PARTS

NEPTUNE 7-72DE / MH 7P 220/1300 DE

2023.11.23

2024.03.29

Pos.	Artikel-Nr.	Menge	Variante	Notes
00	3001146	1	Wellendichtring	[2]
00	301000582	1	Hülse	[2]
00	107120700	1	DruckringStützring (1 St.)	[1]
00	301001068	1	ÖLDÜSE H 1,35 GAL/H 5,17 KG/H 60 GRAD	[1]
00	1119570	1	Dichtsatz	[1]
00	107120715	1	Taumelscheibe No.11	[2]
00	6220554	1	Verbindungsstück	[2]
00	3600996	1	Manometer	[2]
00	3000825	1	O-Ring 20,24x2,62	[1]
00	909100173	1	O-Ring 56x5	[3]
00	301001098	1	Heizschlange	[2]
00	106268034	1	SCHWIMMERSCHALTER SET	[1]
00	106268044	1	HD Schlauch DN10 L1200mm	[2]
00	3003944	1	O-Ring 57,0 x 4,0 DIN	[2]
00	101117777	1	Schlauchverbindung zur Öl	[2]
00	6160608	1	Feder	[2]
00	107141513	1	Zylinderkopfschr M12x65	[1]
00	101118251	1	WOBBLE DISC 8.4DEG.BEARING K.NA5.2 PE/DE	[3]
00	12496	1	Sechskantmutter M6	[2]
00	106268062	1	BELT 5-51DE KIT	[2]
00	909100141	1	Brennstoffleitung 4x1 mm x 1 m	[2]
00	301000889	1	Lüfterrad	[2]
00	1118520	1	Reparaturatz fuer Umlauf	[1]
00	106268033	1	Sicherheitsthermostat	[1]
00	106268112	1	HP HOSE DN10 L625MM SPARE PART	[2]
00	107141477	1	CASTOR D125 WITH BRAKE	[2]
00	106268056	1	PULLY 5-51DE KIT	[2]
00	3200797	1	Zylinderrollenlager NU 207 ET DIN 5412	[6]
00	301000730	1	Temperaturfühler	[1]
00	4697	1	Zylinderschraube M6x16	[2]
00	3200656	1	Nadellager K40x45x17	[2]
00	107141985	1	CYLINDER HEAD NA5.2 W. SCREWS WASHERS	[3]
00	1400092	1	Filter	[1]
00	6301166	1	Keramischer Druckkolben	[1]
00	107143630	1	INLINE FUEL FILTER SPT	
00	301002926	1	Filter 101X36.5X6 KU	[1]
00	301000886	1	ÖLDÜSE H 1,75 GAL/H 6,55 KG/H 60 GRAD	[1]
00	106268017	1	BATTERY KIT	[2]
00	301001153	1	Satz Ventile 6 Stk.	[1]
00	101118177	1	GENERATOR KIT FOR NEPTUNE PE/DE	[2]
00	6100602	1	Spannring	[1]
00	4812226	1	FUSE 10A RED	[1]
00	107144409	1	BY PASS VALVE HOUSING NEP. 5-46PE 5-54PE	[2]
00	106268030	1	ZUENDKABEL SET	[3]
00	107142766	1	Schlauchtülle	[2]
00	1801075	1	Dichtring	[1]
00	1802511	1	Sicherungsring 28x1,2	[2]
00	4809292	1	Überwachungsrelais	[3]
00	107141988	1	D-BEARING COVER NEPTUNE PE / DE	[2]
00	101117724	1	Transformator 230-400 V	[3]
00	101118239	1	PISTON KIT - NA5.2	[1]
00	106268061	1	BELT 5-46PE 5-54PE 7-61PE KIT	[1]
00	301000916	1	Isolierung	[1]
00	31000188	1	Rep Satz Druckentlastung	[1]
00	101117884	1	Dichtungssatz	[1]
00	301001146	1	Satz Kolben Ø 18 mm	[3]
00	106268054	1	RIEMENSCHLEIBE 5-46PE 7-61PE 7-66	[2]
00	2753	1	Sechskantschraube M8x 20 ISO 4017 zn	[2]
00	101118323	1	Wasserdichtungssatz	[1]

# RECOMMENDED SPARE PARTS

NEPTUNE 7-72DE / MH 7P 220/1300 DE

2023.11.23

2024.03.29

Pos.	Artikel-Nr.	Menge	Variante	Notes
00	106268049	1	Haltering Sicherungs-	[3]
00	106268111	1	HP HOSE DN10 864 DKL-DKL	[7]
00	106268057	1	KONUSRING 5-46 7-61PE 7-66DE	[2]
00	3000064	1	O-Ring 14,1x1,6	[1]
00	1081	1	Überwurfmutter DIN 3870-A L 12 St/zn	[2]
00	6162603	1	SCHEIBE	[2]
00	106268110	1	HP HOSE DN10 900 DKL-DKR90	[2]
00	106268028	1	Abgas Sicherheits Thermostat Kit	[1]
00	107144104	1	Satz Feder	[1]
00	1118512	1	Sicherheitsventil	[1]
00	107141727	1	Beilagscheibe D13	[1]
00	6100915	1	Ventilkegel f. Ruecklauf-	[1]
00	6008041	1	Ventilgriff komp.	[3]
00	3000098	1	Scheibe	[3]
00	101117722	1	Sicherheitsventil 250 5/	[2]
00	6221773	1	Reedschalter mit O-Ring	[1]
00	3200615	1	Axialrollenlager	[2]
00	107144100	1	Ventilsatz NA 5	[1]
00	1119820	1	Reparatursatz Öldichtung	[1]
00	7012	1	Mutter 6kt M18x1,5	[2]
00	4812224	1	Relais 30A	[3]
00	4809276	1	Pumpe	[2]
00	301000616	1	Füllstandsanzeige Pumpenöl	[1]
00	101118094	1	Kupplungssatz 90D ISO	[2]
00	101119411	1	Reparatursatz Steuerkolbe	[1]
00	301001170	1	Ventilblock	[2]
00	106268036	1	CAPACITOR 20MF KIT	[3]
00	9868	1	O-Ring 10x2,5	[2]
00	101117706	1	Winkerverschraubung	[2]
00	6300071	1	Zylinderblock Kompl.	[2]
00	107120710	1	Taumelscheibe No.6	[4]
00	107120701	1	Zylinderkopf C3	[2]
00	6100941	1	Filter	[1]
00	301001151	1	Satz Stützringe	[1]
00	4812225	1	FUSE 30A GREEN	[1]
00	3821089	1	Spule m. Mutter und Scheibe	[3]
00	6101750	1	D-Lagerdeckel Kompl.	[2]

## Part Notes:

- [1] - A
- [2] - C
- [3] - B
- [4] - C  
TSB-PPW-2019-007 C3 NA6 Wobble Disc and Bearing Track surface hardening change
- [5] - A  
STOCK COVERS GUARANTEE
- [6] - C  
STOCK COVERS GUARANTEE
- [7] - C  
Before serial nb.: 3520242000567

