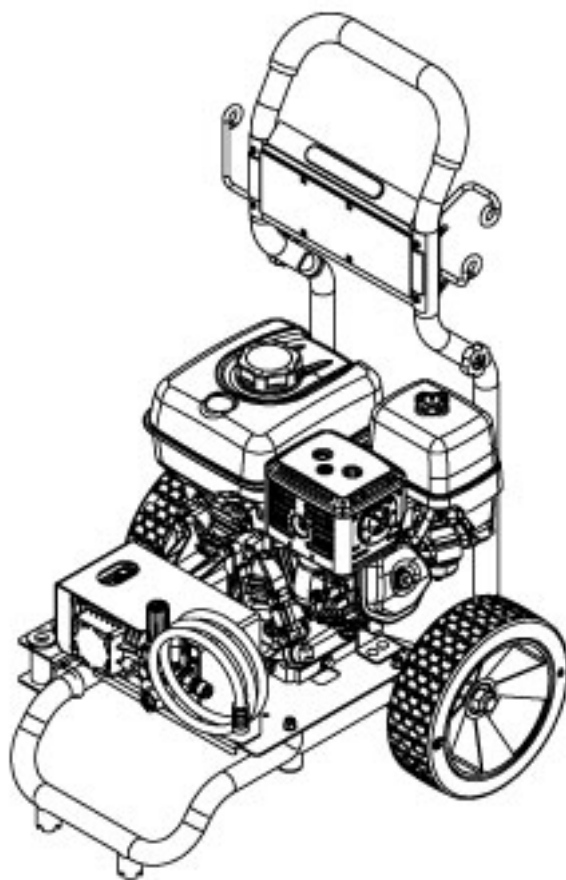


PARTS LIST

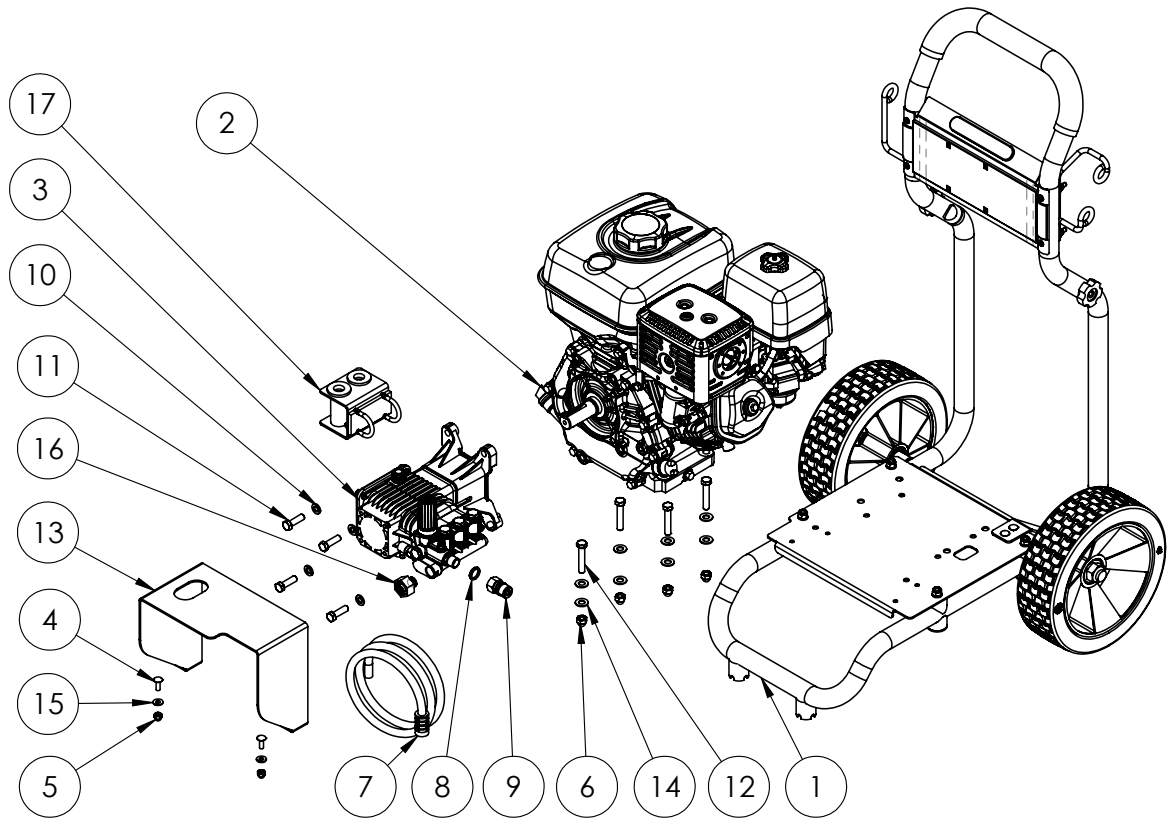


2025.08.20

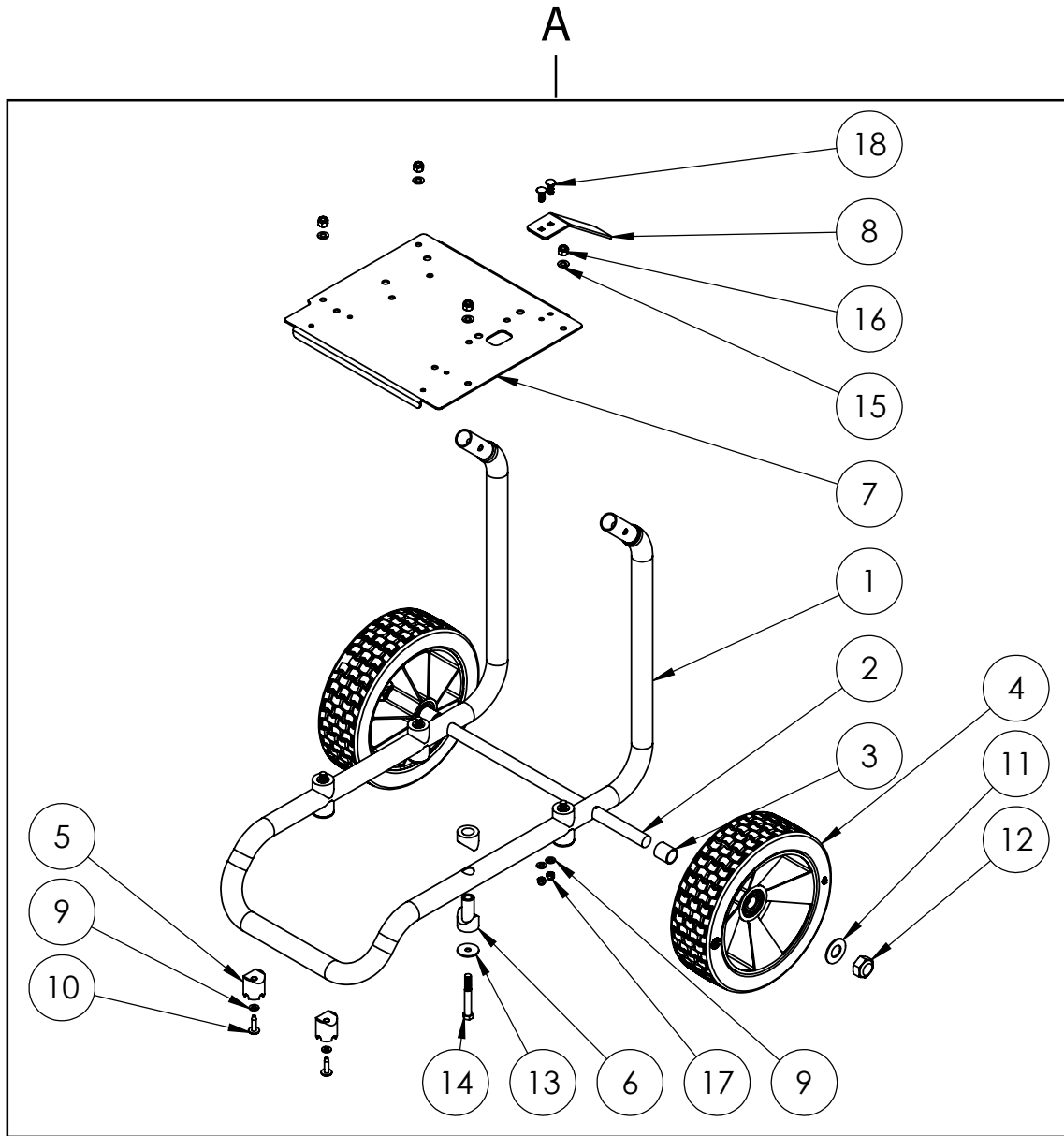
NILFISK

TABLE OF CONTENTS

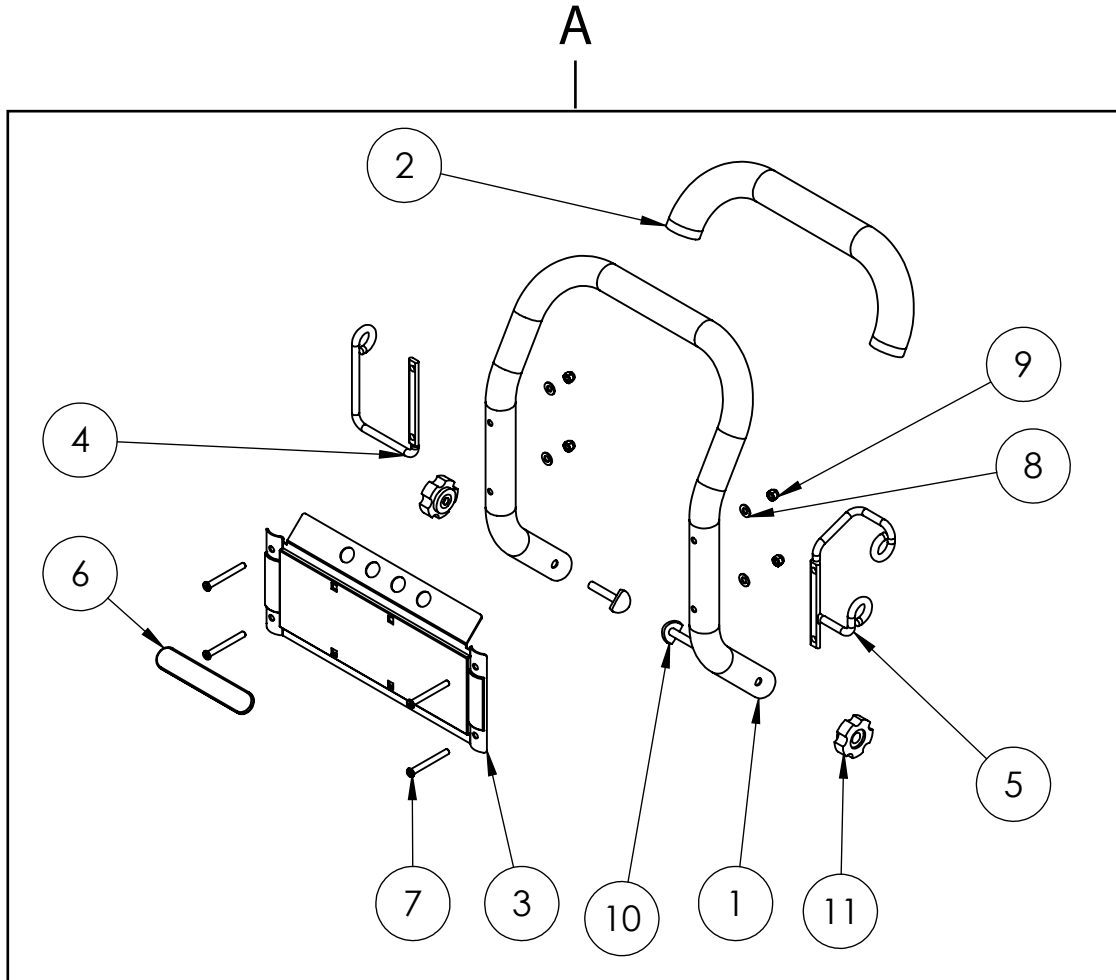
Overview	1
Chassis	3
Handle	5
Pump MC 5C 240, MC 5C 280	7



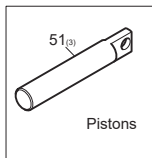
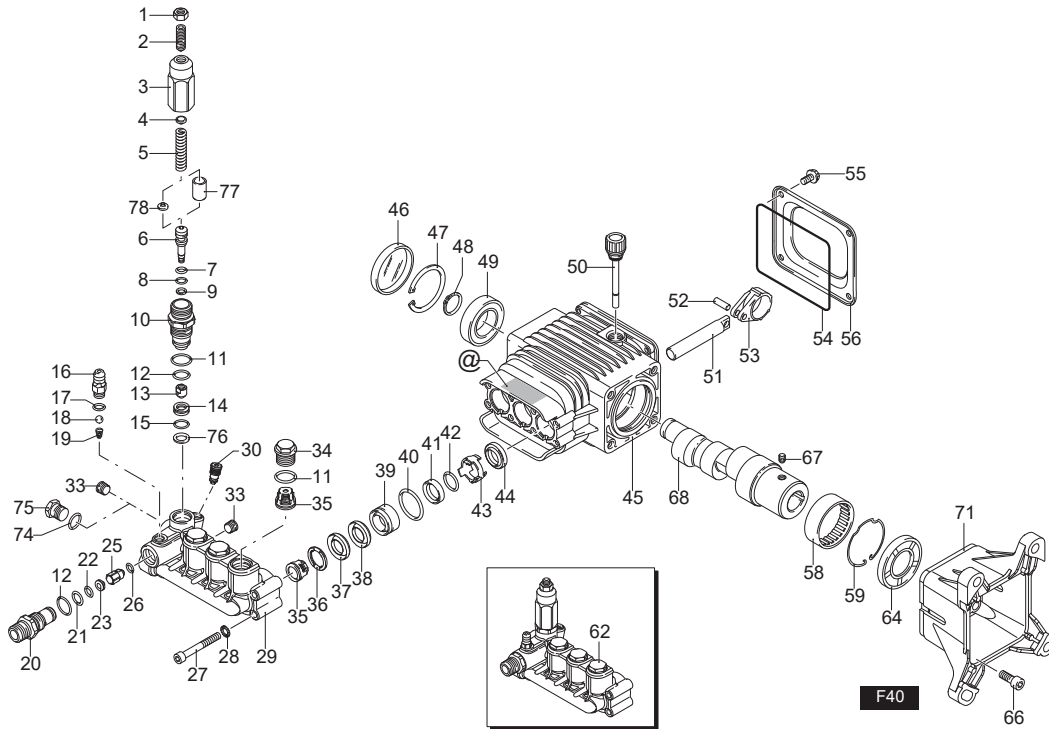
Pos.	Artikel-Nr.	Menge	Variante	Notes
1		1	FRAME, LARGE TIP BACK	
2		1	ENGINE, HONDA, 270 CC	
3	31001262	1	PUMP W/KNOB AND EZ	
4	31000692	2	CARRIAGE BOLT 1/4-20X3/4	
5	31000710	2	NUT NYLOCK 1/4-20	
6	31000712	4	NUT NYLOCK 3/8-16	
7	31001244	1	INJECTOR HOSE ASSEMBLY	
8	1801075	1	Dichtring	
9	1600493	1	Anschlussstück	
10		4	LOCK WASHER, 3/8	
11		4	HHCS, 3/8-16 X 1 1/4 GR5	
12		4	HHCS, USS, GR5, 3/8-16 X 2	
13	31001247	1	PUMP COVER W. COATING BLUE	
14	31000706	8	FLAT WASHER USS 3/8	
15	31000704	2	FLAT WASHER USS 1/4	
16	31001257	1	GARDEN HOSE ADAPTER KIT 4 PCS 3/8 INCH	
17	31001242	1	DUAL LANCE HOLDER ASSEMBLY	



Pos.	Artikel-Nr.	Menge	Variante	Notes
A	00136-NBLUE	1	BASE ASSEMBLY BLUE RAL5017-LARGE	
1		1	FRAME, BASE TUBE	
2		1	AXLE, 545MM, THREADED	
3	31001234	2	SPACER F. WHEEL	
4	31001235	2	WHEEL ASSY FLAT FREE 10.3 INCH DIA	
5	31001236	2	RUBBER FOOT	
6	31001240	4	VIBRATION ISOLATOR 60 DURO	
7		1	BASE PLATE	
8		1	KICK STAND	
9		4	FLAT WASHER, M6	
10		2	1/4-20 X 1 TORX SCREW	
11		2	FLAT WASHER, 19MM	
12		2	3/4-16 NYLON LOCK NUT	
13		4	FLAT WASHER, M8 X 32	
14		4	HEX BOLT, M8-1 X 70	
15		4	FLAT WASHER, M8	
16		4	NYLON LOCK NUT, M8-1	
17		2	NYLON LOCK NUT, M6-1	
18		2	M6-1 X 20MM CARRIAGE BOLT	

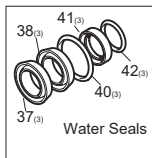


Pos.	Artikel-Nr.	Menge	Variante	Notes
A	00137-NBLUE	1	HANDLE ASSEMBLY BLUE RAL5017-LARGE	
1		1	HANDLE, TUBE	
2		1	FOAM GRIP	
3		1	NOZZLE BRACKET	
4	31001238	1	HANGER F. HOSE	
5	31001239	1	HANGER F. GUN	
6		1	GROMMET, BLACK RUBBER, 4 HOLE	
7		4	BHCS, M6-1 X 55	
8		4	FLAT WASHER, M6	
9		4	NYLON LOCK NUT, M6-1	
10	31001233	2	SADDLE BOLT M8-1 X 45 MM	
11	31001237	2	KNOB M8-1	



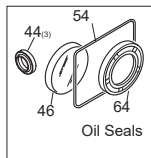
100

Pistons



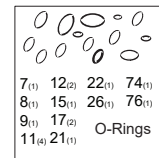
101

Water Seals



102

Oil Seals



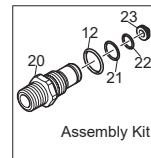
103

O-Rings



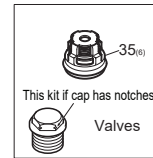
104

Support Ring



105

Assembly Kit



106

This kit if cap has notches

Valves

Pos.	Artikel-Nr.	Menge	Variante	Notes
0	31001263	1	PUMP DIRECT DRIVE 4GPM 4000 PSI	[1]
0	31001262	1	PUMP W/KNOB AND EZ	[2]
1	31001199	1	NUT	
2	31001282	1	GRUB SCREW M6X12	
3	31001283	1	KNOB	
4	31000630	2	SPRING PLATE	
5	31000649	1	SPRING 10.62X6.08X2.8	
6	31000648	1	VALVE PISTON	
7		1	Part of Position 103	
8		1	Part of Position 103	
9		1	Part of Position 103	
10		1	PISTON GUIDE	
11	301003040	4	O-Ring 15,6X1,78	
12		2	Part of Position 103	
13	31000634	1	BY-PASS JET	
14	31001285	1	SEAT	
15		1	Part of Position 103	
16	301003062	1	Schlauchanschluss	
17		1	Part of Position 103	
18	G280159	1	BALL	[3]
19		1	Part of Position 103	
20	31000644	1	DETERGENT INJECTOR 3/8 INCH G	
21		1	Part of Position 103	
22		1	Part of Position 103	
23	31000641	1	INJECTOR INSERT	
25	31000642	1	OUTLET JET	
26	31001286	1	O-RING 4X2.5	
27	31000600	8	BOLT M6X50	
28	909100188	8	Sicherungsscheibe	
29	31001287	1	PUMP HEAD - BARE EZ-START	
30	31001288	1	EZ START PLUG	
33	31000645	1	PLUG 1/4 INCH G	
34	31001289	3	PLUG Ø15.6	
35	31001290	6	COMPLETE VALVE	
36		3	Part of Position 104	
37		3	Part of Position 101	
38		1	Part of Position 101	
39	31000633	3	PISTON GUIDE	
40		3	Part of Position 101	
41		3	Part of Position 101	
42		3	Part of Position 101	
43	31000811	3	SPACER	
44		3	SCRAPER RING 15X24X5.0	
45	31000636	1	PUMP CRANKCASE	
46		1	Part of Position 102	
47	31000612	1	SNAP RING Ø52	
48	31000627	1	SNAP RING DE20 UNI7435-75	
49	31000626	1	BEARING 6304	
50	31000605	1	OIL CAP	
51		3	Part of Position 100	
52	301001555	3	Bolzen	
53	301001562	3	Pleuel	
54		1	Part of Position 102	
55	31000601	4	BOLT M6X12	
56	31000640	1	CRANKCASE COVER	
58	909100174	1	Nadelhülse 45/52X16	
59	301001539	1	Sicherungsring	
62	31001291	1	COMPLETE PUMP HEAD EZ	
64		1	Part of Position 102	

Pos.	Artikel-Nr.	Menge	Variante	Notes
66	31000593	4	BOLT M8X20	
67	31000604	1	SET SCREW M6	
68	31000625	1	HOLLOW SHAFT Ø1 INCH	[4]
68	31000624	1	HOLLOW SHAFT Ø1 INCH	[5]
71	31000646	1	FLANGE F40	
74	301003043	1	O-Ring 10,82X1,78 820510	
75	301003044	1	Verschlusschraube	
76	31001299	1	RING	
77	31001300	1	BUSHING	
78	31000630	1	SPRING PLATE	
100	31001292	1	PISTON KIT 3 PCS	
101	31001293	1	WATER SEAL KIT 3 PCS	
102	31001294	1	OIL SEAL KIT	
103	31001295	1	O-RING KIT	
104	31001296	1	SUPPORT RING KIT Ø20 3 PCS	
105	31001297	1	ASSEMBLY KIT	
106	31001298	1	VALVES	

Part Notes:

- [1] - MC 5C 280
- [2] - MC 5C 240
- [3] - Gerni Machines outph.2006
- [4] - 5C 240
- [5] - 5C 280

