

# PARTS LIST



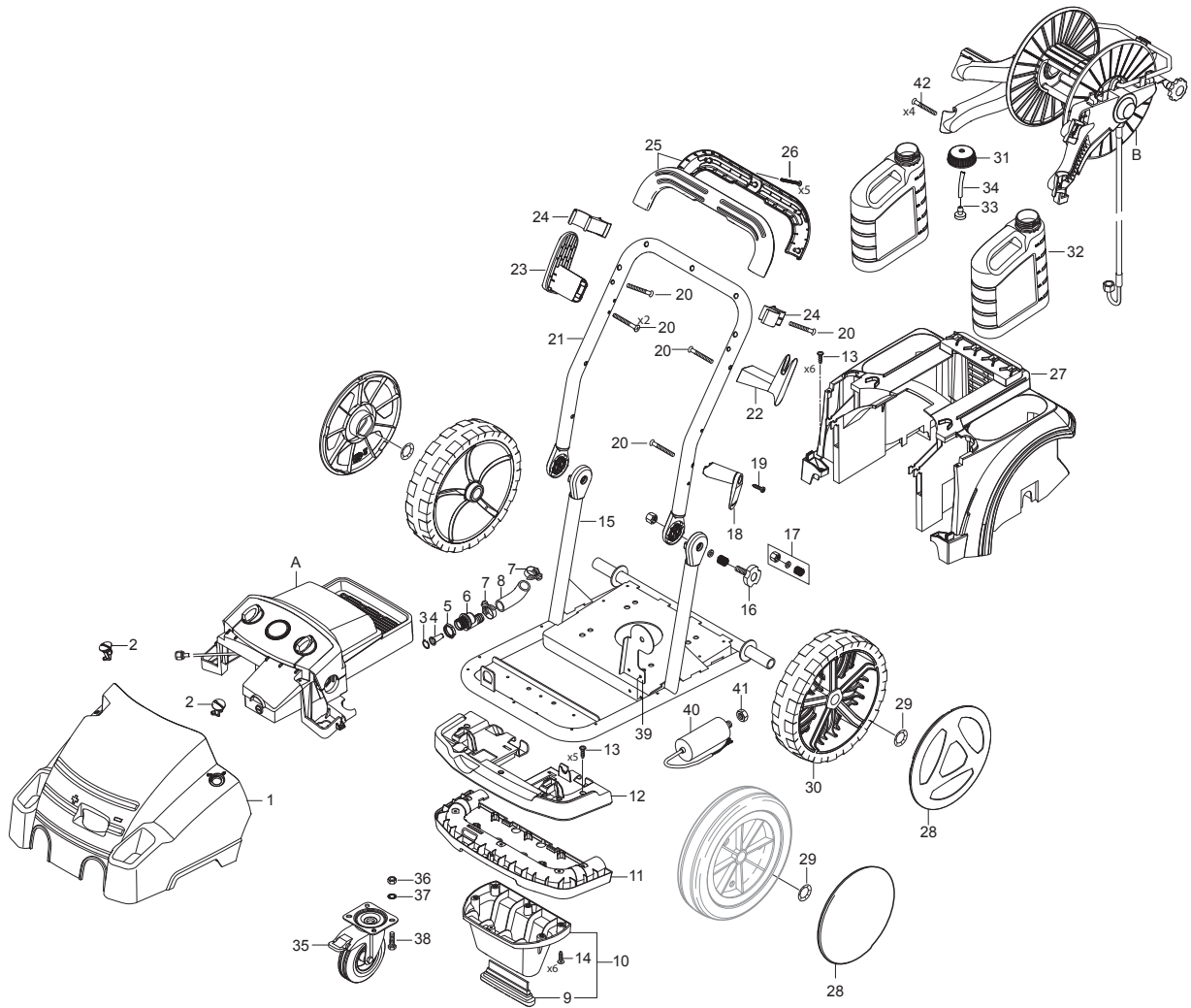
2025.08.30

# NILFISK

# TABLE OF CONTENTS

---

|                                  |    |
|----------------------------------|----|
| Overview .....                   | 1  |
| Electric box .....               | 4  |
| Hose reel .....                  | 7  |
| Motor pump .....                 | 9  |
| Cylinder block .....             | 13 |
| 101118324 - NA5.2 Pump kit ..... | 15 |
| Unloader FA .....                | 17 |
| Recommended spare parts .....    | 19 |
| Default accessories .....        | 22 |

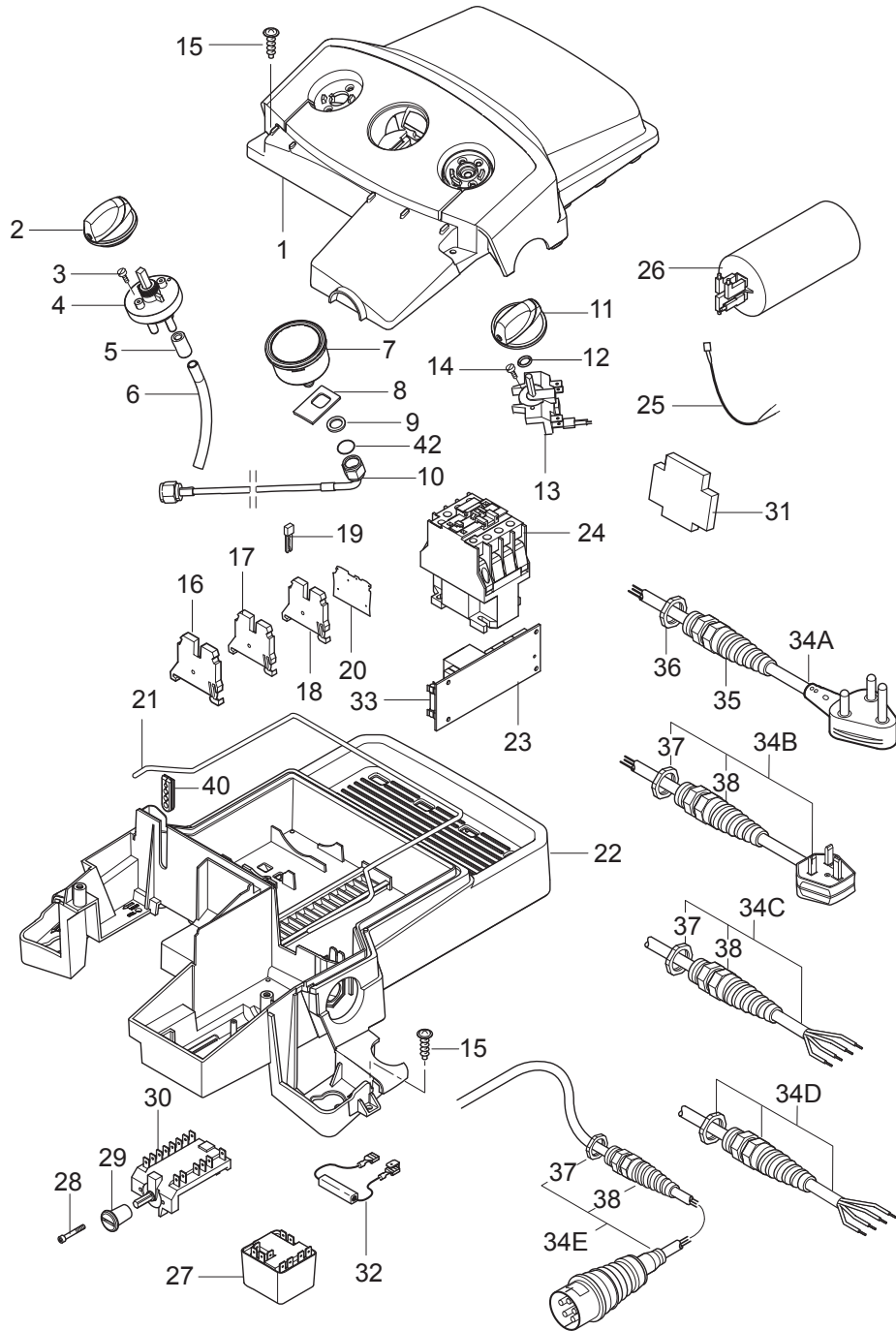


| Pos. | Artikel-Nr. | Menge | Variante                                 | Notes |
|------|-------------|-------|--|-------|
| A    |             | 1     | El-box complete                          | [1]   |
| B    |             | 1     | Hose reel complete                       | [2]   |
| 1    | 107141600   | 1     | Gehäuse Front NA POS 5 - mit Regulierung |       |
| 1    | 107141601   | 1     | Gehäuse Front NA POS 5 -ohne Regulierung |       |
| 1    | 107140958   | 1     | Gehäuse Front NA POS 5 - UNITOR          |       |
| 2    | 301001261   | 2     | Verriegelung                             |       |
| 3    | 107141667   | 1     | Sicherungsring                           |       |
| 4    | 101117926   | 1     | Sieb                                     |       |
| 5    | 1800341     | 1     | Gegenmutter 3/4                          |       |
| 6    | 107141668   | 1     | Wassereinlass                            |       |
| 7    | 23221       | 2     | Schlauchschelle SGL 20-32                |       |
| 8    | 107141670   | 1     | Schlauch                                 | [3]   |
| 8    | 107141697   | 1     | RUBBER ELBOW NA5/NA6 FA                  | [4]   |
| 9    | 107141615   | 1     | Stützfuß                                 |       |
| 10   | 101118100   | 1     | Stütze                                   |       |
| 11   | 107141617   | 1     | Halteplatte                              |       |
| 12   | 107141618   | 1     | Halteplatte                              |       |
| 13   | 107141690   | 5     | Linsenschraube DIN7985-M5x12-8.8         |       |
| 14   | 107141838   | 6     | SCHRAUBE K50X18 WN1451 SCHWARZ TORX 20   |       |
| 15   | 107141620   | 1     | Tragrahmen                               |       |
| 15   | 107141622   | 1     | FRAME STAINLESS STEEL                    |       |
| 16   | 107141672   | 2     | Sterngriff                               |       |
| 17   | 101118104   | 2     | Satz Befestigungsteile                   |       |
| 18   | 107141625   | 1     | KABELHALTER BEWEGLICH SCHWARZ            |       |
| 19   | 107141838   | 1     | SCHRAUBE K50X18 WN1451 SCHWARZ TORX 20   |       |
| 20   | 107141627   | 10    | SCREW K50X40 T20                         |       |
| 21   | 107141623   | 1     | Griffrohr                                |       |
| 22   | 107141632   | 1     | KABELHALTERUNG                           |       |
| 23   | 107141629   | 1     | Schlauchhalterung                        |       |
| 24   | 107141630   | 1     | Lanzenhalterung NA                       |       |
| 25   | 101118101   | 1     | Griffschale                              |       |
| 26   | 909100148   | 5     | Ejotschraube K40x30 WN 14                |       |
| 27   | 107141634   | 1     | Hinterteil                               |       |
| 28   | 107145780   | 2     | RADKAPPE FUER RAD Ø300X65                | [5]   |
| 28   | 107145782   | 2     | WHEEL CAP FOR WHEEL Ø300X65 - UNITOR     | [5]   |
| 28   | 301001077   | 2     | Radkappe 234                             | [6]   |
| 28   | 107140961   | 2     | Radkappe D300                            | [5]   |
| 29   | 46363       | 2     | Klemmscheibe                             |       |
| 29   | 107145570   | 2     | KLEMMRING D25XD42X3                      |       |
| 30   | 6184074     | 2     | Rad                                      | [5]   |
| 30   | 107145637   | 2     | RAD D300X65 (STARCO)                     | [5]   |
| 31   | 107141664   | 2     | Deckel                                   |       |
| 32   | 107141635   | 1     | Reinigungsmitteltank                     |       |
| 33   | 6400240     | 1     | Saugkorb                                 |       |
| 34   | 106408243   | 1     | HOSE 1/4INCH TRANSPARENT - 5 METERS      |       |
| 35   | 107141607   | 1     | WHEEL W. BRAKE D125                      |       |
| 36   | 1800515     | 4     | Sicherungsmutter M8                      |       |
| 37   | 1800796     | 4     | Scheibe 8,4                              |       |
| 38   | 2753        | 4     | Sechskantschraube M8x 20 ISO 4017 zn     |       |
| 39   | 107141611   | 1     | PLATE FOR CAPACITOR                      |       |
| 40   | 107141619   | 1     | CAPACITOR 170MF                          | [7]   |
| 40   | 107141732   | 1     | CAPACITOR 140 UF                         | [8]   |
| 41   | 2761        | 1     | Sechskantmutter M12 ISO 4032 zn          | [9]   |
| 42   | 107141695   | 4     | Torxschrauben K50x35                     |       |
| NS   | 107140982   | 1     | 10 PCS OF BOXES FOR PACKAGING            |       |

## Part Notes:

- [1] - See link Electric box  
 [2] - See link Hose reel

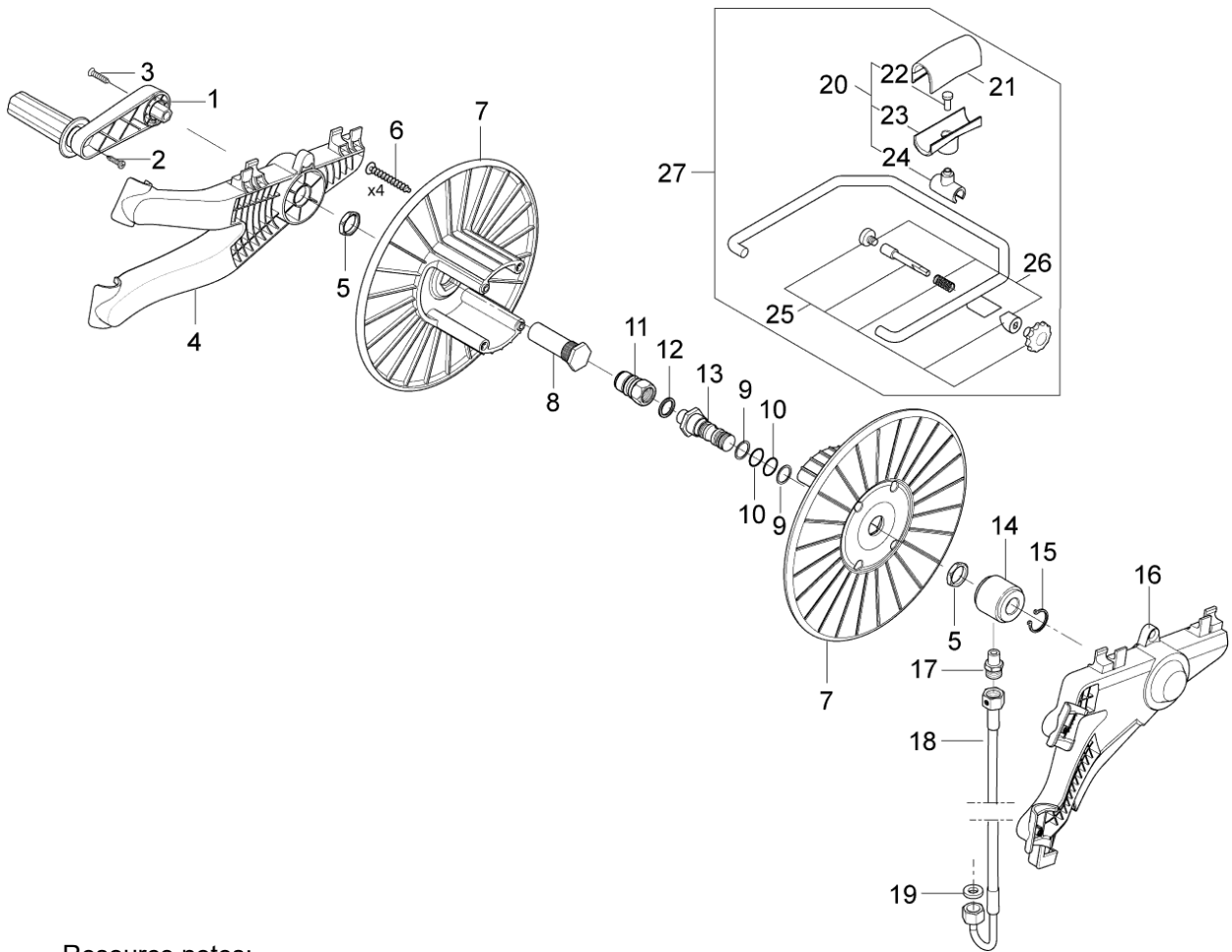
- [3] - PA
- [4] - FA
- [5] - The new wheel and wheel cap is added from  
Variant Ser. Nr. order nr. machine nr.  
Nilfisk 3520151900645 - 1712947 - 107146806  
Unitor 3520151901159 - 1711044 - 107146807
- [6] - STOCK COVERS GUARANTEE  
  
The new wheel and wheel cap is added from  
Variant Ser. Nr. order nr. machine nr.  
Nilfisk 3520151900645 - 1712947 - 107146806  
Unitor 3520151901159 - 1711044 - 107146807
- [7] - 230-240/1/50 UK, AU
- [8] - US
- [9] - STOCK COVERS GUARANTEE



| Pos.  | Artikel-Nr. | Menge | Variante                                 | Notes |
|-------|-------------|-------|--|-------|
| 1     | 107141644   | 1     | E-BOX TOP F. 1-POS SWITCH                | [1]   |
| 1     | 107141646   | 1     | Gehäuse Elektronik 1Schalter schwarz     | [2]   |
| 1     | 107141645   | 1     | Gehäuse Elektronik 2Schalter schwarz     | [3]   |
| 2     | 909100214   | 1     | Schalter GR 1 4 Kt                       |       |
| 3     | 1814730     | 2     | Schraube 3,5x10                          |       |
| 4     | 301001000   | 1     | Ventil                                   |       |
| 5     | 301001906   | 1     | Verschlusskappe                          |       |
| 6     | 106408243   | 1     | HOSE 1/4INCH TRANSPARENT - 5 METERS      |       |
| 7     | 107141648   | 1     | MANOMETER 0-300 BAR                      |       |
| 8     | 107141650   | 1     | Halter                                   |       |
| 9     | 107141651   | 1     | Scheibe DIN125-A13                       |       |
| 10    | 107141653   | 1     | MANOMETER TUBE FA MODELS                 | [4]   |
| 10    | 107141652   | 1     | Manometer Röhre                          | [5]   |
| 11    | 909100204   | 1     | Drehknopf 6x5 blau                       |       |
| 12    | 9868        | 1     | O-Ring 10x2,5                            |       |
| 13    | 301001058   | 1     | Schalter                                 | [6]   |
| 13    | 28877       | 1     | Schalter                                 | [7]   |
| 14    | 18274       | 1     | Senkschraube M4x12                       |       |
| 15    | 107141838   | 6     | SCHRAUBE K50X18 WN1451 SCHWARZ TORX 20   |       |
| 16    | 103821922   | 1     | Abschlussplatte                          |       |
| 17    | 107141633   | 1     | Klemmleiste                              | [8]   |
| 18    | 107307394   | 1     | WIRE TERMINAL 4Q WAGO 2004-1201          |       |
| 19    | 103821969   | 1     | Steckbrücke                              |       |
| 20    | 107307392   | 1     | END PLATE 4Q WAGO 2004-1291              |       |
| 21    | 101406054   | 1     | Dichtung                                 |       |
| 22    | 107141654   | 1     | E-BOX BOTTOM DRILLED /CABLE/             |       |
| 22    | 107141665   | 1     | E BOX UNTERTEIL                          |       |
| 22    | 107141655   | 1     | UNTERTEIL ELEKTRONIK-BOX                 | [9]   |
| 23    | 107141666   | 1     | PCB POSEIDON 5-6-7                       |       |
| 24    | 103822314   | 1     | Schütz 100-C30KF10                       | [10]  |
| 24    | 103822303   | 1     | Schütz CJX2-D18 18A 400V 3P+NO           | [11]  |
| 24    | 63910       | 1     | Schütz 100-C23KF10                       | [12]  |
| 24    | 103822304   | 1     | Schütz CJX2-D18 18A 230V 3P+NO           | [13]  |
| 25    | 107141796   | 1     | PCB Kabel für Saugmodus                  | [14]  |
| 25    | 107141656   | 1     | Kabel                                    |       |
| 26    | 101117947   | 1     | Kondensator 100UF/450V                   | [15]  |
| 26    | 107143182   | 1     | CAPACITOR 70UF 450/500V RP-3             | [16]  |
| 27    | 107142761   | 1     | START RELAY RVA4G0C                      | [13]  |
| 27    | 107140968   | 1     | START RELAY RVAH4AH0C                    | [17]  |
| 27+32 | 101118305   | 1     | START RELAY RVA4G0C KIT                  | [18]  |
| 27+32 | 101118143   | 1     | START RELAY KIT F. POSEIDON 5-6-7 1PH US | [17]  |
| 28    | 101117739   | 2     | Flachkopfschraube                        |       |
| 29    | 64580       | 1     | Drehknopf                                | [19]  |
| 30    | 301000293   | 1     | Drehschalter Stern-Dreiec                |       |
| 31    | 64773       | 1     | Hilfskontakt 100-SBL11                   |       |
| 32    | 107141730   | 1     | DISCHARGE RESISTOR 15KOHM/7W             | [20]  |
| 33    | 301000263   | 1     | Sicherung                                |       |
| 34A   | 301000407   | 1     | Netzleitung SJOW AWG10/3                 | [21]  |
| 34B   | 301000912   | 1     | Anschlussleitung GB                      | [22]  |
| 34C   | 101117811   | 1     | Netzkabel H07RN 4G1,5                    | [23]  |
| 34D   | 301001384   | 1     | Netzleitung VCT 4X3,5X11                 | [24]  |
| 34D   | 301000834   | 1     | Anschlussleitung Europa                  | [25]  |
| 35    | 909100198   | 1     | Schnur Befestigung                       | [26]  |
| 36    | 909100020   | 1     | Sechskantmutter M25x1,5 EN 50262 PA      | [26]  |
| 37    | 909100019   | 1     | Sechskantmutter M20x1,5 EN 50262 PA      | [27]  |
| 38    | 909100043   | 1     | Kabelverschraubung                       | [27]  |
| 40    | 107141663   | 1     | Tülle                                    |       |
| 42    | 31000508    | 1     | O-RING NBR                               |       |

## Part Notes:

- [1] - 1 pos. and detergent
- [2] - 1 pos. without detergent
- [3] - 2 pos. and detergent
- [4] - FA
- [5] - PA
- [6] - 1-POS.
- [7] - 2-POS.
- [8] - ECN-1010232
- [9] - Star/triangle
- [10] - (220-240/1/60 US) (200/3/50-60Hz JP)
- [11] - 400/3/50Hz
- [12] - 220/440/3/50/60Hz
- [13] - 230/1/50Hz
- [14] - S1 to X8 – "suction mode wire"
- [15] - 5-52FA
- [16] - 230/1/50 UK  
TSB-PPW-2018-003 MH\_MC change of start relay and run capacitor
- [17] - 220-240/1/60 US
- [18] - 230/1/50 UK, AUS  
  
TSB-PPW-2018-003 MH\_MC change of start relay and run capacitor  
TSB-PPW-2018-003 MH\_MC Changement du relais de démarrage et du condensateur de fonctionnement
- [19] - TSB-PPW-2016-007 Rotary knob for Voltage selector switch 230V-400V must be sealed with lacquer  
DE TSB-PPW-2016-007 Drehknopf des Spannungsauswahlschalters 230V-400V muss mit Lack versiegelt werden
- [20] - 230/1/50 UK, 220-240/1/60 US
- [21] - US  
GUARANTEE DATE EXPIRED
- [22] - 5-32 PA – MC 5M 100/770 PA 230/1/50 UK -M25 - M20
- [23] - NO, EXP.
- [24] - JP
- [25] - EU, 3ph
- [26] - M25
- [27] - M20



Resource notes:

IS\_301001585\_MC 5,6,7,8,9\_Mounting instructions for hose reel

| Pos. | Artikel-Nr. | Menge | Variante                               | Notes |
|------|-------------|-------|--|-------|
| 0    | 106403143   | 1     | Schlauchrolle Satz                     |       |
| 1    | 101118102   | 1     | Kurbel                                 |       |
| 2    | 107141838   | 1     | SCHRAUBE K50X18 WN1451 SCHWARZ TORX 20 |       |
| 3    | 107141673   | 1     | Schraube M6x45                         |       |
| 4    | 107141674   | 1     | Halter                                 |       |
| 5    | 62696       | 1     | Sechskantmutter M24x1,5x               |       |
| 6    | 909100153   | 1     | Schraube 6x40                          |       |
| 7    | 301000775   | 1     | Trommel                                |       |
| 8    | 107141675   | 1     | Achse                                  |       |
| 9    | 63792       | 2     | Stützring 16,26x2,18                   |       |
| 10   | 19620       | 2     | O-Ring 15,54x2,62                      |       |
| 11   | 1600493     | 1     | Anschlussstück                         |       |
| 12   | 1801075     | 1     | Dichtring                              |       |
| 13   | 107141676   | 1     | Anschlussstück                         |       |
| 14   | 301000977   | 1     | Lagerbuchse                            |       |
| 15   | 1802057     | 1     | Seegerring U 20 x1,2                   |       |
| 16   | 107141677   | 1     | Halter                                 |       |
| 17   | 54590       | 1     | Anschlussstück                         |       |
| 18   | 107141678   | 1     | Anschlussstück für Schlauchtrommel     |       |
| 19   | 65466       | 1     | Dichtring 8,0x15,0x1,0 DI              |       |
| 20   | 101118103   | 1     | Schlauchführung                        |       |
| 21   | 301000674   | 1     | Schlauchführung                        |       |
| 22   | 10028       | 1     | Ejotschraube KA50x14 WN1411 verz       |       |
| 23   | 301000676   | 1     | Schlauchführung                        |       |
| 24   | 107141679   | 1     | Schlauchführung                        |       |
| 25   | 101118106   | 1     | Satz Befestigungsteile                 |       |
| 26   | 101118111   | 1     | Satz Befestigungsteile                 |       |
| 27   | 101118105   | 1     | Schlauchführung                        |       |



| Pos. | Artikel-Nr. | Menge | Variante                                 | Notes |
|------|-------------|-------|--|-------|
|      | 31001229    | 1     | OIL ISO 150 ALPHASYN-T 20L               |       |
| 0    | 5218433     | 1     | Pumpenöl 150 1x1l                        | [1]   |
| 1    |             | 1     | SCREW 3X9.5 MUSHROOM HEAD EME            | [2]   |
| 1A   |             | 1     | Spring washer Ø5                         | [3]   |
| 1B   |             | 1     | Flat washer Ø5                           | [4]   |
| 1C   | 31000488    | 1     | Linsenschraube DIN7985-M5x8              | [5]   |
| 2    | 107144127   | 1     | Motorabdeckung - EME                     | [6]   |
| 2A   | 107144126   | 1     | Lüfterhaube                              | [5]   |
| 3    | 107144124   | 1     | Sicherungsring Luefterrad                | [2]   |
| 3    | 107144125   | 1     | Lüfterrad                                | [5]   |
| 4    | 31000148    | 1     | Lagerdeckel                              | [5]   |
| 4    | 31000150    | 1     | Lagerabdeckung EME                       | [2]   |
| 5    | 31000149    | 1     | Lager RF                                 | [5]   |
| 5    | 31000151    | 1     | Hinteres Lager EME                       | [2]   |
| 6    | G120414     | 1     | Dichtring Ø30XØ47X7                      |       |
| 7    | 107140883   | 1     | Sensor Ölbehälter                        |       |
| 8    | 107140877   | 1     | Deckel                                   |       |
| 9    | 107140879   | 1     | Öltank                                   |       |
| 10   | 101406054   | 1     | Dichtung                                 |       |
| 11   | 3004221     | 1     | O-RING 16X2 NITRIL 70 SHORE              |       |
| 12   | 2751        | 4     | Sechskantschraube M8x 35 ISO 4017 zn     | [2]   |
| 12A  | 31000505    | 1     | Schraube M8x290                          | [7]   |
| 12A  | 31000504    | 1     | Schraube M8x265                          | [8]   |
| 13   | 107141982   | 1     | OIL PLUG W/O-RING AND MAGNET NA5.2       |       |
| 14   | 107141967   | 1     | D-BEARING COVER COMPLETE NA5.2           | [9]   |
| 15   | 107141990   | 1     | WOBBLE DISC 7.74 DEG. NA5.2              | [10]  |
| 15   | 107141961   | 1     | WOBBLE DISC 8.4 DEG. NA5.2               | [11]  |
| 15   | 107141962   | 1     | WOBBLE DISC 8.7 DEG. NA5.2               | [12]  |
| 15   | 107141963   | 1     | Taumelscheibe NA5.2                      | [13]  |
| 15   | 107141964   | 1     | WOBBLE DISC 10.2 DEG. NA5.2              | [14]  |
| 15   | 107141965   | 1     | WOBBLE DISC 10.9 DEG. NA5.2              | [15]  |
| 15   | 107141966   | 1     | WOBBLE DISC 12 DEG. NA5.2                | [16]  |
| 16   | 101118248   | 1     | WOBBLE DISC 7.74 DEG. BEARING KIT NA5.2  | [17]  |
| 16   | 101118246   | 1     | WOBBLE DISC 8.4 DEG. BEARING KIT NA5.2   | [11]  |
| 16   | 101118247   | 1     | WOBBLE DISC 8.7 DEG. BEARING KIT NA5.2   | [12]  |
| 16   | 101118245   | 1     | WOBBLE DISC 9.15 DEG. BEARING KIT NA5.2  | [13]  |
| 16   | 101118243   | 1     | WOBBLE DISC 10.2 DEG. BEARING KIT NA5.2  | [18]  |
| 16   | 101118242   | 1     | WOBBLE DISC 10.9 DEG. BEARING KIT NA5.2  | [19]  |
| 16   | 101118241   | 1     | WOBBLE DISC 12 DEG. BEARING KIT NA5.2    | [20]  |
| 18   | 101118240   | 1     | BEARING KIT FA PA - NA5.2                |       |
| 19   | 2767        | 7     | Scheibe 10,5x2,0 ISO 7090 zn             |       |
| 20   | 1800465     | 4     | Mutter M10                               |       |
| 21   | 10204       | 4     | Fächerscheibe 10,5 -A- DIN 6798 FSt/zn   |       |
| 22   | 8927        | 4     | Zylinderschraube,                        |       |
| 23   | 19639       | 1     | Passfeder A 8x7x25                       |       |
| 24   | 107140881   | 2     | SCREW M5X12 DIN 7985 TORX                |       |
| 25   | 107140875   | 1     | Dichtung                                 | [21]  |
| 26   | 107140876   | 1     | ABDECKUNG E BOX AUF MOTOR                |       |
| 27   | 2767        | 4     | Scheibe 10,5x2,0 ISO 7090 zn             |       |
| 28   | 107141953   | 1     | MOTOR 6.7KW 220-440/230-400/3 50/60HZ-EU | [22]  |
| 28   | 107141954   | 1     | MOTOR 5.5 KW 220/230-400/440/3/50/60 EU  | [23]  |
| 28   | 107141955   | 1     | MOTOR 5.2 KW/220/1 60HZ 5-52 US          | [24]  |
| 28   | 107141956   | 1     | MOTOR 2.2 KW/230/1 50HZ                  | [25]  |
| 28   | 107141957   | 1     | MOTOR 4KW 200/3/50-60HZ JP 5-47 JP       | [26]  |
| 28   | 107141958   | 1     | MOTOR 4KW 230-400/220-440 3/50-60HZ NA5  | [27]  |
| 29   | 107144817   | 1     | BEARING KBC 6206 GB/T818                 |       |
| 30   | 107142658   | 1     | NA5.2 WD SCREW AND WASHER                |       |
|      | 101118263   | 1     | MPU NA5.2 PA 5.5KW/400V/50HZ/3PH/10.9DEG | [28]  |

Part Notes:

- [1] - 0,71L - OIL TYPES\_QUANTITY for HPW\_APRIL 2017
- [2] - - EME – has EME letter on the motor type plate
- [3] - RF – has Nilfisk letter on the motor type plate  
Ø5 spring washer
- [4] - RF – has Nilfisk letter on the motor type plate  
Ø5 flat washer
- [5] - RF – has Nilfisk letter on the motor type plate
- [6] - GUARANTEE DATE EXPIRED
  
- [7] - EME – has EME letter on the motor type plate  
RF – has Nilfisk letter on the motor type plate RF incl nut and washer,  
5-62 PA - MC 5M 220/1130 PA  
  
5-62 FA - MC 5M 220/1130 FA
- [8] - RF – has Nilfisk letter on the motor type plate RF incl nut and washer,  
5-32 PA – MC 5M 100/770 PA  
5-41 PA – MC 5M 180/840 PA  
5-47 PA – MC 5M 170/980 PA  
5-53 PA - MC 5M 200/1000 PA  
5-56 PA - MC 5M 200/1050 PA  
5-56 FA - MC 5M 200/1050 FA
- [9] - with 2 pins D4x8 - See instruction 107141734A\_mounting D-bearing cover NA5  
TSB-PPW-2015-002 NA5.2 Pump Information
- [10] - 5-32 PA – Machine no. 107146700, 107146701 MC 5M 100/770  
5-30 PA 240/1/50-  
  
5-41 PA , 220/440/3/60
- [11] - 5-47 PA – Machine no. 107146703 MC 5M 170/980 PA, 200/3/60 JP
- [12] - 5-41 PA – Machine no. 107146705 MC 5M 180/840 PA, 400/3/50
- [13] - 5-56 PA - Machine no. 107146713 MC 5M 200/1050 PA, 60Hz
- [14] - 5-52 FA, 5-47 PA –  
Machine no. 107146702 MC 5M 170/980 PA 200/3/50 JP,  
107146719 MC 5M-220/1130 exp.,  
107146724 MC 5M-2300/4.8 US
- [15] - 5-53 PA -  
Machine no. 107146727, 107146728 MC 5M 200/1000  
5-56 PAFA -  
Machine no. 107146710, 107146711, 107146714, 107146715, 107146716, 107146743 MC 5M 200/1050
- [16] - 5-62 FA -  
Machine no. 107146718, 107146721, 107146722 MC 5M 220/1130 FA, 400/3/50
- [17] - 5-32 PA – Machine no. 107146700, 107146701 MC 5M 100/770  
5-30 PA 240/1/50-  
5-41 PA , 220/440/3/60
- [18] - 5-52 FA, 5-47 PA –  
Machine no. 107146702 MC 5M 170/980 PA 200/3/50 JP,  
107146719 MC 5M-220/1130 exp.,  
107146724 MC 5M-2300/4.8 US
- [19] - 5-53 PA - Machine no. 107146727, 107146728 MC 5M 200/1000  
5-56 PAFA - Machine no. 107146710, 107146711, 107146714, 107146715, 107146716, 107146743 MC 5M 200/1050
- [20] - 5-62 FA -  
Machine no. 107146718, 107146721, 107146722 MC 5M 220/1130 FA, 400/3/50

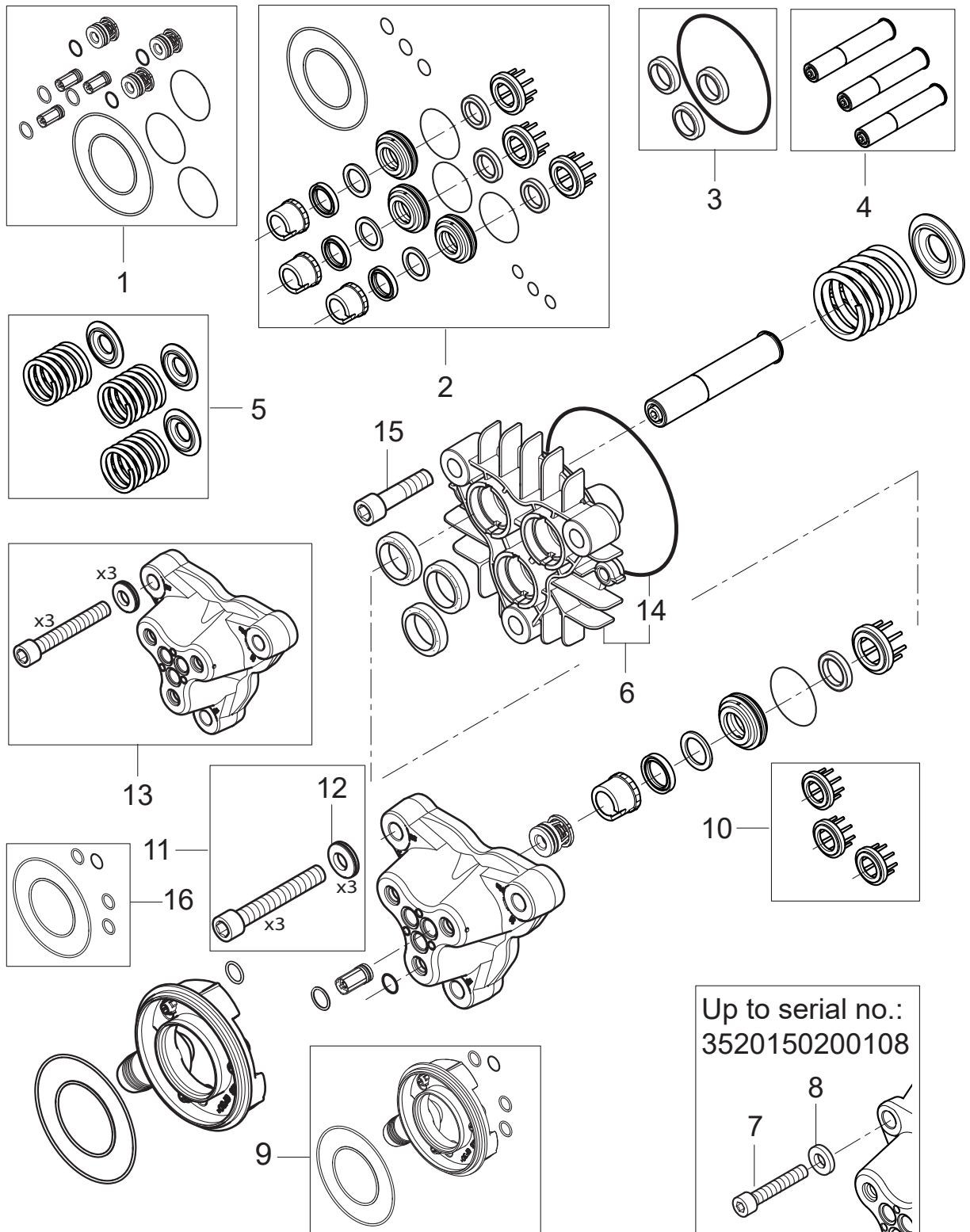
- 
- [21] - TSB-PPW-2018-012 NA5\_NA6 mpu. Water enters into the stator.
  - [22] - 5-62 PA - MC 5M 220/1130 PA  
5-62 FA - MC 5M 220/1130 FA  
Also order Gasket for motor, 107140875
  - [23] - 5-53 PA - MC 5M 200/1000 PA  
5-56 PA - MC 5M 200/1050 PA  
5-56 FA - MC 5M 200/1050 FA  
Also order Gasket for motor, 107140875
  - [24] - 5-52 US  
Also order Gasket for motor, 107140875
  - [25] - 5-32 PA – MC 5M 100/770 PA UK  
Also order Gasket for motor, 107140875
  - [26] - 5-47 PA – MC 5M 170/980 PA JP  
Also order Gasket for motor, 107140875
  - [27] - 5-41 PA – MC 5M 180/840 PA  
Also order Gasket for motor, 107140875
  - [28] - MC 5M-200/1050 XT 400/3/50 EU

# Cylinder block

POSEIDON 5-62 FA / MC 5M 220/1130 FA

2019.01.23

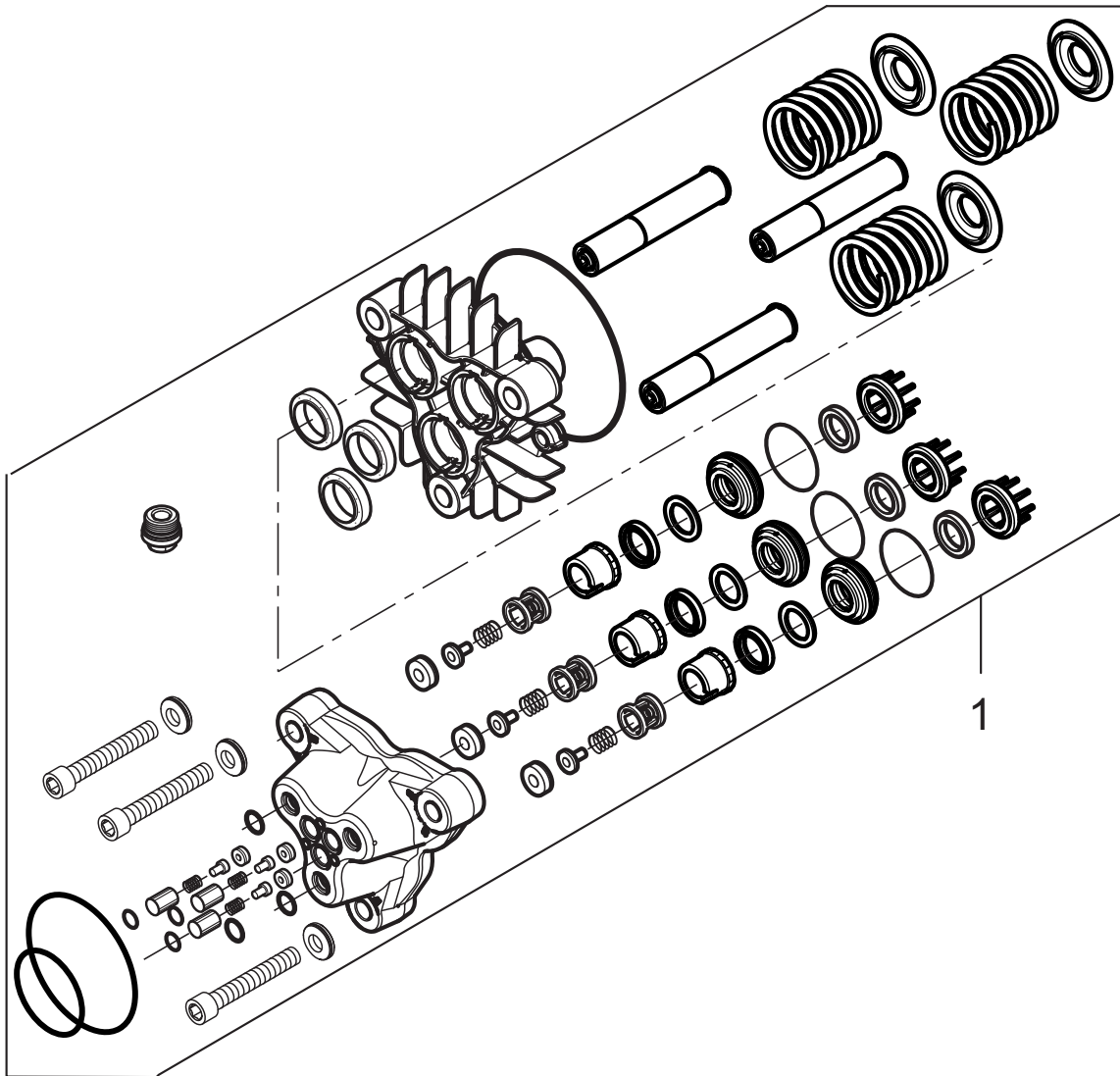
2019.04.05



| Pos. | Artikel-Nr. | Menge | Variante                                 | Notes |
|------|-------------|-------|--|-------|
| 1    | 101118121   | 1     | Satz Ventile                             |       |
| 2    | 101118323   | 1     | Wasserdichtungssatz                      | [1]   |
| 2    | 101118256   | 1     | WATER SEAL NA5 HEAVYDUTY HOT SUCTION KIT | [2]   |
| 3    | 107144102   | 1     | Dichtungssatz Kolben                     |       |
| 4    | 101118239   | 1     | PISTON KIT - NA5.2                       |       |
| 5    | 107144104   | 1     | Satz Feder                               |       |
| 6    | 107141983   | 1     | CYLINDER BLOCK W/ O-RING NA5.2           | [3]   |
| 7    | 107141513   | 3     | Zylinderkopfschr M12x65                  | [3]   |
| 8    | 107141727   | 3     | Beilagscheibe D13                        | [3]   |
| 9    | 101118078   | 1     | Satz Flansch                             |       |
| 10   | 107140919   | 1     | SUPPORT RING NA5 SPARE VPE 3             |       |
| 11   | 107141968   | 1     | CYL.SCREW M12X80 WITH NORDLOCK WASHER    | [3]   |
| 12   | 107141969   | 3     | WASHER NLX12SP D12.5XD25.4X4.2MM         | [3]   |
| 13   | 107141985   | 1     | CYLINDER HEAD NA5.2 W. SCREWS WASHERS    | [3]   |
| 14   | 107141512   | 1     | O-Ring D114 x D1.78                      |       |
| 15   | 4042        | 2     | Schraube M8 X 40 8.8                     |       |
| 16   | 101118080   | 1     | Dichtungssatz                            |       |

## Part Notes:

- [1] - TSB-PPW-2020-003 NA5 pump THRUST COLLAR changed  
DE TSB-PPW-2020-003 NA5 Pumpe - Änderung der Druckringe
- TSB-PPW-2020-003 Nouvelles bagues laiton pour pompe NA5
- [2] - Heavy duty water seal kit. Inlet temperature can be increased from 60°C (140°F) to 80°C (176°F).
- TSB-PPW-2018-001 NA5.2 Pump Heavy Duty Kit hot water  
DE TSB-PPW-2018-001 NA5.2 Pumpe Heißwasser Kit
- TSB-PPW-2018-001 Kit de joints renforcés pour pompe NA5\_2
- [3] - TSB-PPW-2015-002 NA5.2 Pump Information
- TSB-PPW-2012-007 Washer for cylinder block NA5  
DE TSB-PPW-2012-007 Unterlagscheibe Zylinderkopf

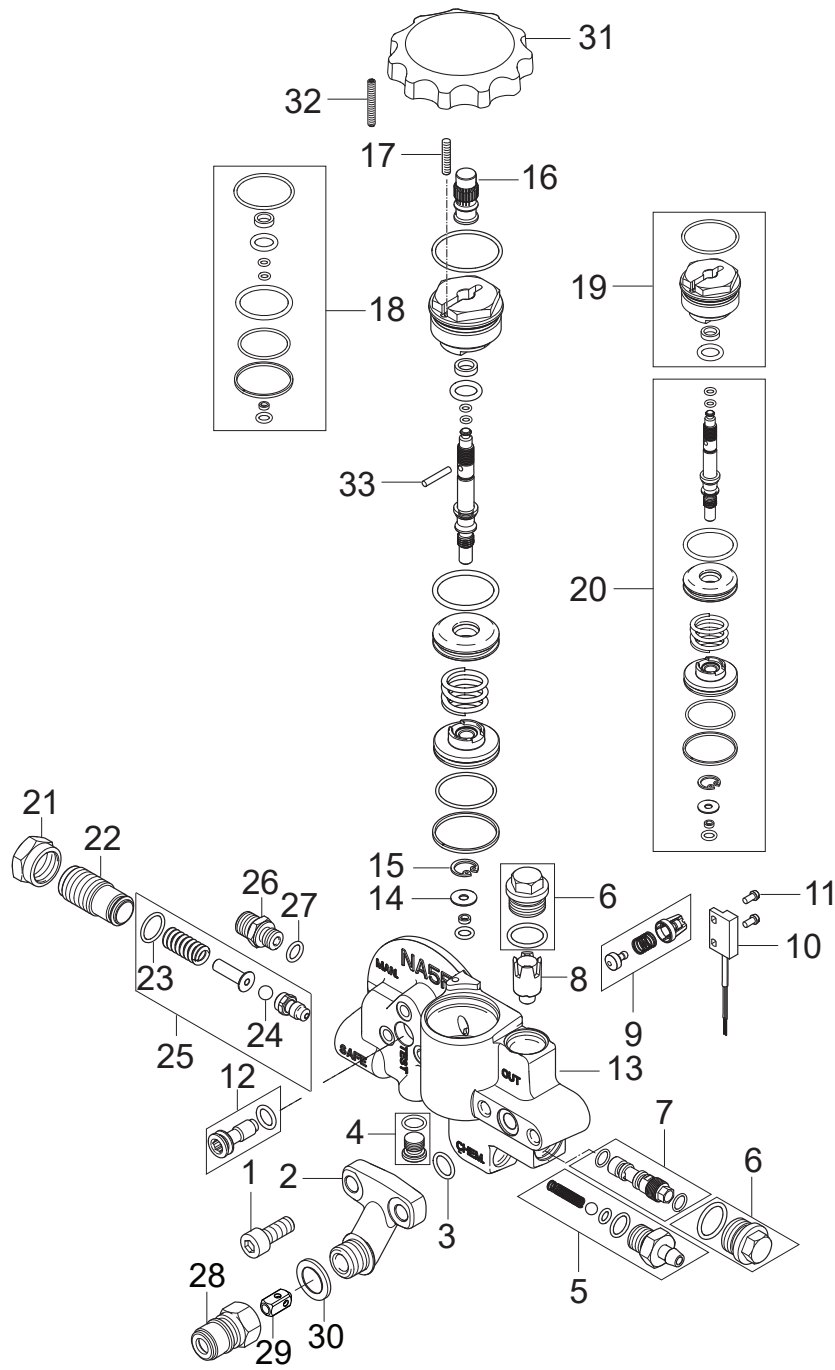


---

| Pos. | Artikel-Nr. | Menge | Variante       | Notes |
|------|-------------|-------|----------------|-------|
| 1    | 101118324   | 1     | PUMP KIT NA5.2 | [1]   |

## Part Notes:

[1] - TSB-PPW-2020-003 NA5 pump THRUST COLLAR changed



| Pos. | Artikel-Nr. | Menge | Variante                                 | Notes |
|------|-------------|-------|--|-------|
| 1    | 106408193   | 2     | SCREW M8 X 20 8.8 DIN 912 FZB            |       |
| 2    | 106408192   | 1     | Ausgangsfitting Axial NA5 Pumpe          |       |
| 3    | 106408191   | 1     | O-Ring 10,82x1,78 NBR 70                 |       |
| 4    | 101117924   | 1     | Stopfen für MPU 1/8                      |       |
| 5    | 1119406     | 1     | Rückschlagventil                         |       |
| 6    | 107144154   | 2     | OIL PLUG M18X1.5 WITH O-RING /SH90/      |       |
| 7    | 107144112   | 1     | Injektor                                 |       |
| 8    | 101118055   | 1     | MAGNET AND HOUSE FOR FLOW SWITCH-KIT NA6 |       |
| 9    | 101118056   | 1     | Rückschlagventil                         | [1]   |
| 10   | 106408216   | 1     | Mikroschalter                            |       |
| 11   | 101118033   | 2     | SCREW M3X6 BRASS                         |       |
| 12   | 107144137   | 1     | Stopfen                                  |       |
| 13   | 106408223   | 1     | UNLOADER FA NA5                          |       |
| 14   | 106408196   | 1     | WASHER D12.95 X D4.6 X 0.9 BRASS         |       |
| 15   | 106408195   | 1     | Sicherungsring Gr. 13 DIN472             |       |
| 16   | 106408189   | 1     | NUT M8 X 1 FOR UNLOADER VALVE FA         |       |
| 17   | 107146563   | 1     | SCREW POINTED DIN 913 M4X16 FZG          |       |
| 18   | 101118050   | 1     | SEALING KIT FOR NA6                      |       |
| 19   | 101118051   | 1     | PLUG FOR UNLOADER VALVE FA - KIT NA6     |       |
| 20   | 101118117   | 1     | Steuereinheit - Kit NA5                  |       |
| 21   | 6100928     | 1     | Mutter                                   |       |
| 22   | 6100940     | 1     | Einstellschraube                         |       |
| 23   | 3001070     | 1     | O-Ring 13,1 x 1,6 SMS                    |       |
| 24   | 1802644     | 1     | BALL Ø7 G40 WKS 1.4034                   |       |
| 25   | 101118118   | 1     | OPENING VALVE REP. KIT                   |       |
| 26   | 1821        | 1     | Verbindungsstück                         |       |
| 27   | 3001740     | 1     | O-RING 7.66X1.78 NITRIL 70SH             |       |
| 28   | 1603101     | 1     | Nippel Schnellkupplung                   | [2]   |
| 28   | 1600493     | 1     | Anschlussstück                           |       |
| 29   | 6101038     | 1     | Kolben                                   |       |
| 30   | 1801075     | 1     | Dichtring                                |       |
| 31   | 107140823   | 1     | Drehgriff                                |       |
| 32   | 107146562   | 1     | SCREW M4X30 POINTED DIN 413              |       |
| 33   | 107146561   | 1     | PIN DIA 3 X 18MM STAINLESS STEEL         |       |

## Part Notes:

- [1] - Spring included: OD8,2 x L9,3 x d0,5  
 [2] - INOX

**No  
Diagram  
Available**

**Parts List  
Only**

| Pos. | Artikel-Nr. | Menge | Variante                                 | Notes |
|------|-------------|-------|--|-------|
|      | 101118106   | 1     | Satz Befestigungsteile                   |       |
|      | 101118111   | 1     | Satz Befestigungsteile                   |       |
|      | 101118102   | 1     | Kurbel                                   |       |
|      | 107141632   | 1     | KABELHALTERUNG                           |       |
|      | 107141668   | 1     | Wassereinlass                            |       |
|      | 107141652   | 1     | Manometer Röhre                          |       |
|      | 107141679   | 1     | Schlauchführung                          |       |
|      | 107141676   | 1     | Anschlussstück                           |       |
|      | 107141663   | 1     | Tülle                                    |       |
|      | 107141635   | 1     | Reinigungsmitteltank                     |       |
|      | 107141664   | 1     | Deckel                                   |       |
|      | 107141670   | 1     | Schlauch                                 |       |
|      | 107141667   | 1     | Sicherungsring                           |       |
|      | 107141629   | 1     | Schlauchhalterung                        |       |
|      | 107141650   | 1     | Halter                                   |       |
|      | 107141634   | 1     | Hinterteil                               |       |
|      | 101118103   | 1     | Schlauchführung                          |       |
|      | 107141633   | 1     | Klemmleiste                              | [1]   |
|      | 107141648   | 1     | MANOMETER 0-300 BAR                      |       |
|      | 107141630   | 1     | Lanzenhalterung NA                       |       |
|      | 107141653   | 1     | MANOMETER TUBE FA MODELS                 |       |
|      | 101118104   | 1     | Satz Befestigungsteile                   |       |
|      | 101118101   | 1     | Griffschale                              |       |
|      | 107141615   | 1     | Stützfuß                                 |       |
|      | 107141627   | 1     | SCREW K50X40 T20                         |       |
| 0A   | 101118080   | 1     | Dichtungssatz                            |       |
| 0A   | 107144100   | 1     | Ventilsatz NA 5                          |       |
| 0A   | 101118083   | 1     | Reparatursatz Steuerkolben               |       |
| 0A   | 101118314   | 1     | PRESSURE BUILD UP VALVE HIGH FLOW KIT    | [2]   |
| 0A   | 107144102   | 1     | Dichtungssatz Kolben                     |       |
| 0A   | 101118050   | 1     | SEALING KIT FOR NA6                      |       |
| 0A   | 3004221     | 1     | O-RING 16X2 NITRIL 70 SHORE              |       |
| 0A   | 101118056   | 1     | Rückschlagventil                         | [3]   |
| 0A   | 101118055   | 1     | MAGNET AND HOUSE FOR FLOW SWITCH-KIT NA6 |       |
| 0A   | 101117926   | 1     | Sieb                                     |       |
| 0B   | 101118295   | 1     | BYPASS VALVE REP. KIT NA5.2 PA           |       |
| 0B   | 101118294   | 1     | STEM + SEALING REP. KIT NA5/5.2/6/6+ PA  |       |
| 0B   | 107144104   | 1     | Satz Feder                               |       |
| 0B   | 101118239   | 1     | PISTON KIT - NA5.2                       |       |
| 0B   | 106408216   | 1     | Mikroschalter                            |       |
| 0B   | 107144112   | 1     | Injektor                                 |       |
| 0C   | 101118242   | 1     | WOBBLE DISC 10.9 DEG. BEARING KIT NA5.2  |       |
| 0C   | 101118247   | 1     | WOBBLE DISC 8.7 DEG. BEARING KIT NA5.2   |       |
| 0C   | 101118245   | 1     | WOBBLE DISC 9.15 DEG. BEARING KIT NA5.2  |       |
| 0C   | 101118241   | 1     | WOBBLE DISC 12 DEG. BEARING KIT NA5.2    |       |
| 0C   | 101118246   | 1     | WOBBLE DISC 8.4 DEG. BEARING KIT NA5.2   |       |
| 0C   | 101118249   | 1     | WOBBLE DISC 7.2 DEG. BEARING KIT NA5.2   |       |
| 0C   | 101118243   | 1     | WOBBLE DISC 10.2 DEG. BEARING KIT NA5.2  |       |
| 0C   | 101118051   | 1     | PLUG FOR UNLOADER VALVE FA - KIT NA6     |       |
| 0C   | 301000263   | 1     | Sicherung                                |       |
| 0C   | 301001058   | 1     | Schalter                                 |       |
| 0C   | 107142761   | 1     | START RELAY RVA4G0C                      |       |
| 0C   | 107141957   | 1     | MOTOR 4KW 200/3/50-60HZ JP 5-47 JP       |       |
| 0C   | 101118091   | 1     | Feder                                    |       |
| 0C   | 101118117   | 1     | Steuereinheit - Kit NA5                  |       |
| 0C   | 31000149    | 1     | Lager RF                                 |       |
| 0C   | 107141619   | 1     | CAPACITOR 170MF                          |       |
| 0C   | 103822303   | 1     | Schütz CJX2-D18 18A 400V 3P+NO           |       |
| 0C   | 301000402   | 1     | Widerstand 15 kΩ                         |       |

| Pos. | Artikel-Nr. | Menge | Variante                                 | Notes |
|------|-------------|-------|--|-------|
| 0C   | 31000151    | 1     | Hinteres Lager EME                       |       |
| 0C   | 101118089   | 1     | Reparatursatz Ventil                     |       |
| 0C   | 107143182   | 1     | CAPACITOR 70UF 450/500V RP-3             |       |
| 0C   | 107141954   | 1     | MOTOR 5.5 KW 220/230-400/440/3/50/60 EU  |       |
| 0C   | 101118090   | 1     | MICROSW. ACTIVATION REP. KIT NA5 PA      |       |
| 0C   | 107141956   | 1     | MOTOR 2.2 KW/230/1 50HZ                  |       |
| 0C   | 64773       | 1     | Hilfskontakt 100-SBL11                   |       |
| 0C   | 101118011   | 1     | Schalter                                 |       |
| 0C   | 103822314   | 1     | Schütz 100-C30KF10                       |       |
| 0C   | 107141953   | 1     | MOTOR 6.7KW 220-440/230-400/3 50/60HZ-EU |       |
| 0C   | 101118078   | 1     | Satz Flansch                             |       |
| 0C   | 63910       | 1     | Schütz 100-C23KF10                       |       |
| 0C   | 1119406     | 1     | Rückschlagventil                         |       |
| 0C   | 106408189   | 1     | NUT M8 X 1 FOR UNLOADER VALVE FA         |       |
| 0C   | 107141955   | 1     | MOTOR 5.2 KW/220/1 60HZ 5-52 US          |       |
| 0C   | 107141967   | 1     | D-BEARING COVER COMPLETE NA5.2           |       |
| 0C   | 103822304   | 1     | Schütz CJX2-D18 18A 230V 3P+NO           |       |
| 0C   | 107141958   | 1     | MOTOR 4KW 230-400/220-440 3/50-60HZ NA5  |       |
| 0C   | 107141666   | 1     | PCB POSEIDON 5-6-7                       |       |

Part Notes:

- [1] - ECN-1010232
- [2] - TSB-PPW-2020-001 MH 4\_MH 5M Damper Valve removed
- [3] - Spring included: OD8,2 x L9,3 x d0,5

**No  
Diagram  
Available**

**Parts List  
Only**

| Pos. | Artikel-Nr. | Menge | Variante                               | Notes |
|------|-------------|-------|--|-------|
| 1    | 106403122   | 1     | ERGO 2000 STANDARD W. HOSE SWIVEL      | [1]   |
| 1    | 106403154   | 1     | ERGO 2000 SPRAY GUN W/O LOGO ACC.      | [2]   |
| 2    | 106403010   | 1     | TORNADO PLUS 1120 Geb. o. Düse         | [3]   |
| 3    | 101119741   | 1     | HD-Düse 0500 TORNADO                   | [4]   |
| 3    | 101119746   | 1     | HD-Düse 0650 TORNADO hell              | [5]   |
| 3    | 101119742   | 1     | HD-Düse 0530 TORNADO                   | [6]   |
| 3    | 101119738   | 1     | Düse NT0400                            | [7]   |
| 3    | 301150005   | 1     | HD-Düse 0475 TORNADO                   | [8]   |
| 4    | 106403003   | 1     | TurboHammer Plus 050 W12               | [9]   |
| 4    | 106402291   | 1     | TURBOHAMMER PLUS 1140                  | [10]  |
| 4    | 65437       | 1     | Rotordüse 040                          | [7]   |
| 5    | 101405770   | 1     | HD-Schlauch DN 8x10m                   | [11]  |
| 5    | 101406175   | 1     | HP-HOSE DN6 15M 3/8-3/8 F. QUICK COUPL | [12]  |
| 5    | 301001101   | 1     | HD-Schlauch DN8x20m                    | [13]  |
| 5    | 301001100   | 1     | HOCHDRUCKSCHLAUCH ALTO DN 8 15M        | [11]  |
| 10   | 106403142   | 1     | Sandfilter-Set f. POS-Mod              | [14]  |
| 11   | 106403165   | 1     | Sandfilter-Set f. POS                  | [15]  |
| 12   | 106403143   | 1     | Schlauchrolle Satz                     | [16]  |
| 13   | 101118105   | 1     | Schlauchführung                        | [16]  |
| 14   | 106403145   | 1     | Lenkrollen-Set                         | [17]  |
| 15   | 106403144   | 1     | Wasservorlaufbehälter Poseidon 5,6,7,8 | [18]  |
| 16   | 106403160   | 1     | Kranaufrichtung bis 1000kg             | [19]  |
| 17   | 106403162   | 1     | Reinigungsmitteltank                   | [20]  |
| 18   | 106403166   | 1     | Öl Niedrigstand Schutz                 | [21]  |
| NS   | 106408164   | 1     | BOTTLE FOR FOAM SPRAYER 2 L            |       |

Part Notes:

- [1] - ERGO 2000 Spray handle
- [2] - UNITOR
- [3] - TORNADO PLUS lance
- [4] - 5-47 J, 5-53, 5-56
- [5] - 5-52 US
- [6] - 5-62
- [7] - 5-41
- [8] - 5-32
- [9] - 5-32
  
- [10] - TURBOHAMMER PLUS lance  
5-53  
TURBOHAMMER PLUS lance
- [11] - HOSES Overview
- [12] - POSEIDON 5-41 PAXT, 5-53 PAXT  
HOSES Overview
- [13] - POSEIDON 5- 62 PAXT  
HOSES Overview
- [14] - SANDFILTER KIT POSEIDON 5-6-7 from September 2012
- [15] - PRUNED-NO REPLACEMENT  
SANDFILTER FOR WBT POSEIDON 5-6-7 from September 2012
- [16] - Hose reel
- [17] - PRUNED-NO REPLACEMENT  
106403145 - Front wheel kit
- [18] - PRUNED-NO REPLACEMENT  
106403144 - WATER BRAKE TANK POSEIDON 5-6-7 from September 2012
- [19] - PRUNED ACCESSORY  
  
Crane roundsling 1000kg 50cm
- [20] - 106403162 - Detergent tank with safety cap
- [21] - PRUNED-NO REPLACEMENT  
  
106403166 - Low pump oil safety function for POSEIDON 5

