

PARTS LIST

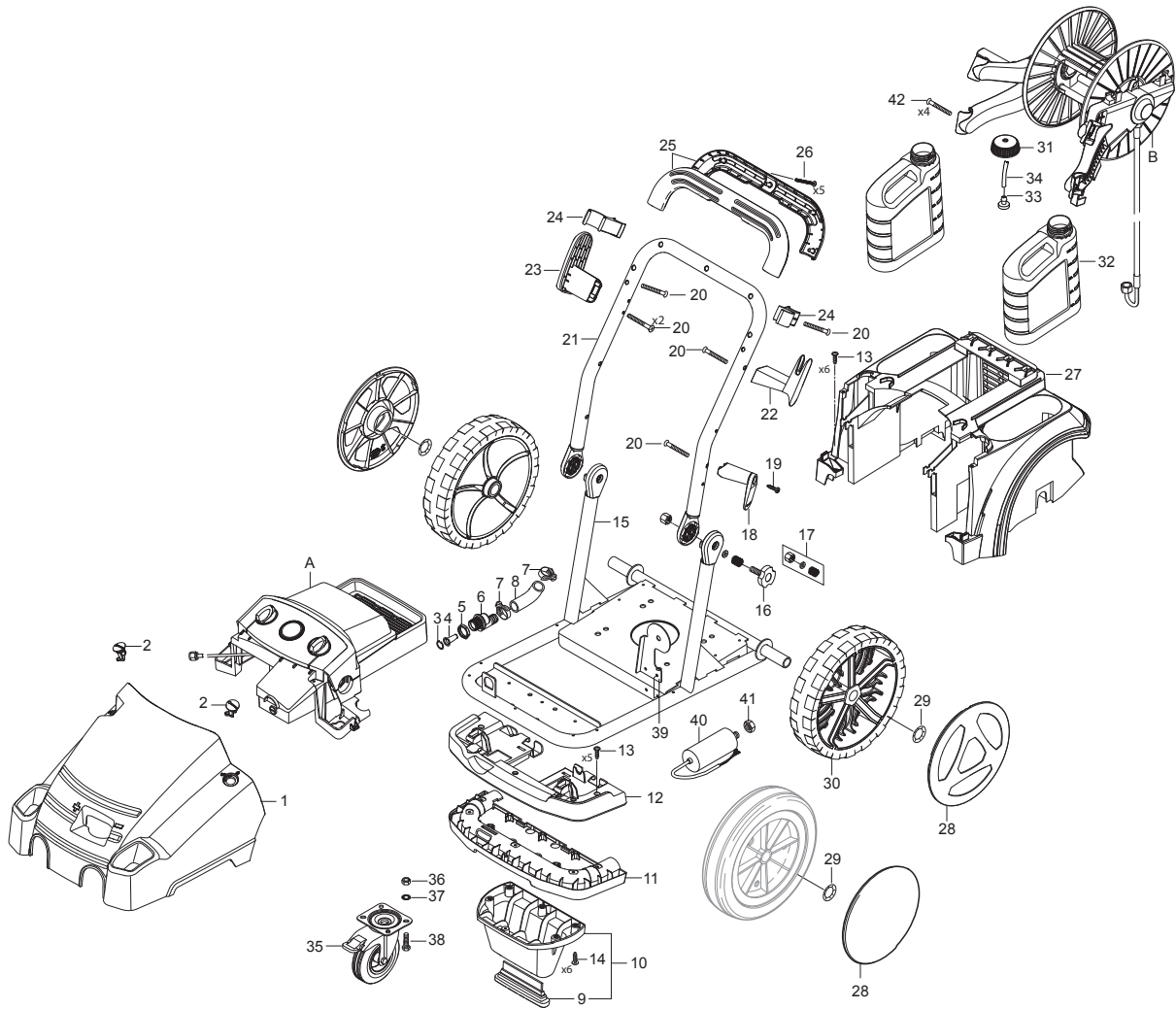


2025.08.30

NILFISK

TABLE OF CONTENTS

Overview	1
Electric box	4
Hose reel	7
Motor	9
Cylinder block	12
Unloader FA	14
Default accessories	16
Recommended spare parts	18



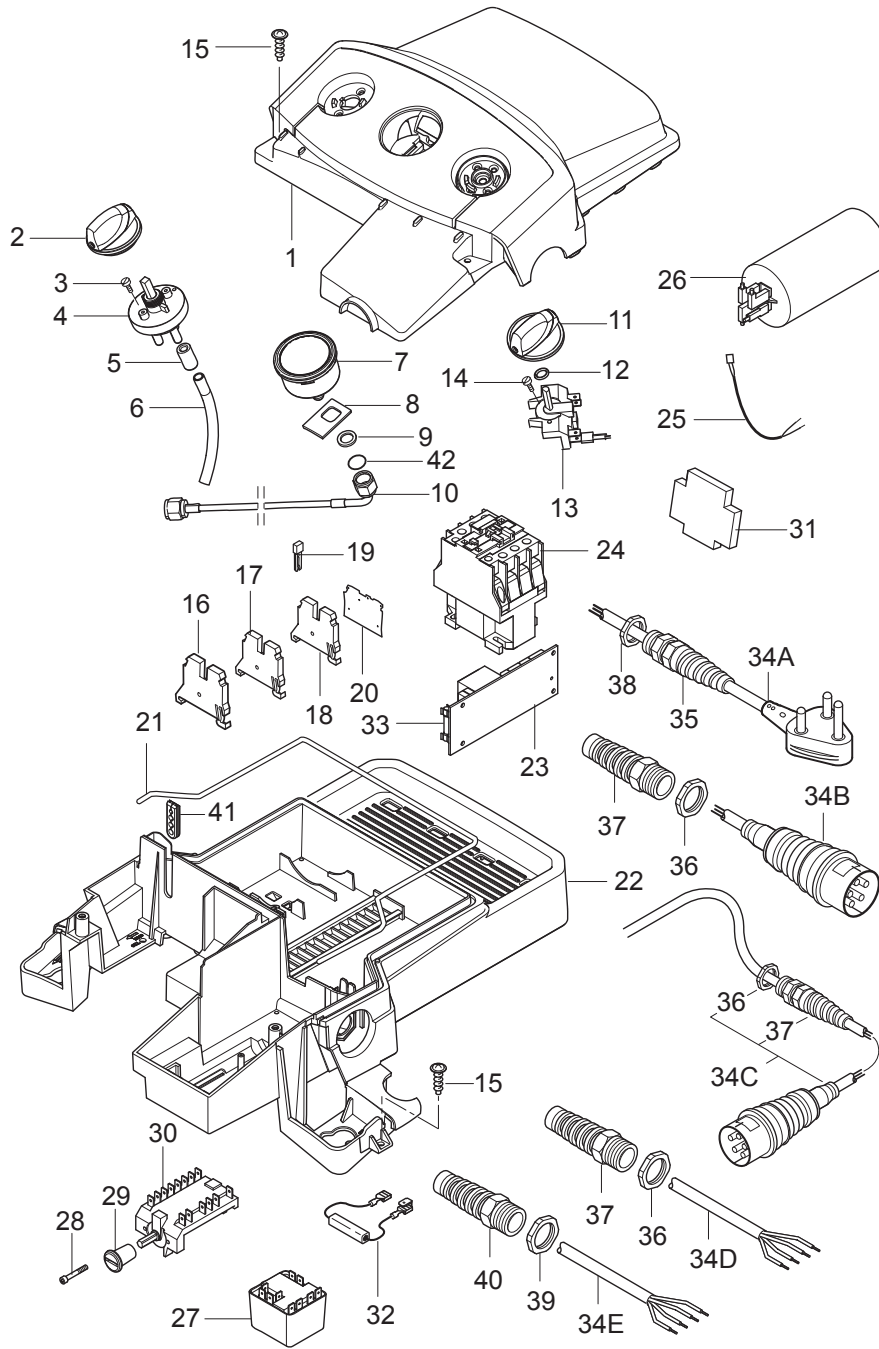
Pos.	Artikel-Nr.	Menge	Variante	Notes
A		1	Electric box	[1]
B		1	Hose reel	[2]
1	107141602	1	Abdeckung Front POS 6	
1	107140959	1	Abdeckung Front POS 6 Unitor	
2	301001261	2	Verriegelung	
3	107141667	1	Sicherungsring	
4	101117926	1	Sieb	
5	1800341	1	Gegenmutter 3/4	
6	107141668	1	Wassereinlass	
7	107141707	1	SCHLAUCHHALTERUNG	[3]
7	23221	2	Schlauchschelle SGL 20-32	
8	107141697	1	RUBBER ELBOW NA5/NA6 FA	
9	107141615	1	Stützfuß	
10	101118100	1	Stütze	
11	107141617	1	Halteplatte	
12	107141618	1	Halteplatte	
13	107146528	5	Schraube M5X12 ISO 14583-A2 TORX	
14	107141838	6	SCHRAUBE K50X18 WN1451 SCHWARZ TORX 20	
15	107141622	1	FRAME STAINLESS STEEL	[3]
15	107141621	1	FRAME NA6/C3	
16	107141672	2	Sterngriff	
17	101118104	2	Satz Befestigungsteile	
18	107141625	1	KABELHALTER BEWEGLICH SCHWARZ	
19	107141838	1	SCHRAUBE K50X18 WN1451 SCHWARZ TORX 20	
20	107141627	10	SCREW K50X40 T20	
21	107141624	1	FRAME HANDLE STAINLESS STEEL	[3]
21	107141623	1	Griffrohr	
22	107141632	1	KABELHALTERUNG	
23	107141629	1	Schlauchhalterung	
24	107141630	1	Lanzenhalterung NA	
25	101118101	1	Griffschale	
26	909100148	5	Ejotschraube K40x30 WN 14	
27	107141634	1	Hinterteil	
28	107145780	2	RADKAPPE FUER RAD Ø300X65	[4]
28	107145782	2	WHEEL CAP FOR WHEEL Ø300X65 - UNITOR	[4]
28	301001077	2	Radkappe 234	[5]
29	46363	2	Klemmscheibe	
29	107145570	2	KLEMMRING D25XD42X3	[3]
30	107145637	2	RAD D300X65 (STARCO)	[4]
30	6184074	2	Rad	[4]
30	2010908	2	Rad	[3]
31	107141664	2	Deckel	
32	107141635	1	Reinigungsmitteltank	
33	6400240	1	Saugkorb	
34	106408243	1	HOSE 1/4INCH TRANSPARENT - 5 METERS	
35	107141608	1	Radbremse D125 FOOD	[3]
35	107141607	1	WHEEL W. BRAKE D125	
36	1809920	4	Sechskantmutter M8 I	[3]
36	1800515	4	Sicherungsmutter M8	
37	1802917	1	Scheibe D8,4xD18x2 DIN 6796 - A2	[3]
37	1800796	4	Scheibe 8,4	
38	2753	4	Sechskantschraube M8x 20 ISO 4017 zn	
38	107140930	4	SCREW M8X20 DIN933 SS	[3]
42	107141695	4	Torxschrauben K50x35	
NS	107140982	1	10 PCS OF BOXES FOR PACKAGING	

Part Notes:

- [1] - See Electric box
 [2] - See Hose reel

- [3] - Food
- [4] - The new wheel and wheel cap is added from
Variant Ser. Nr. order nr. machine nr.
Nilfisk 3520151900645 - 1712947 - 107146806
Unitor 3520151901159 - 1711044 - 107146807
- [5] - STOCK COVERS GUARANTEE

The new wheel and wheel cap is added from
Variant Ser. Nr. order nr. machine nr.
Nilfisk 3520151900645 - 1712947 - 107146806
Unitor 3520151901159 - 1711044 - 107146807

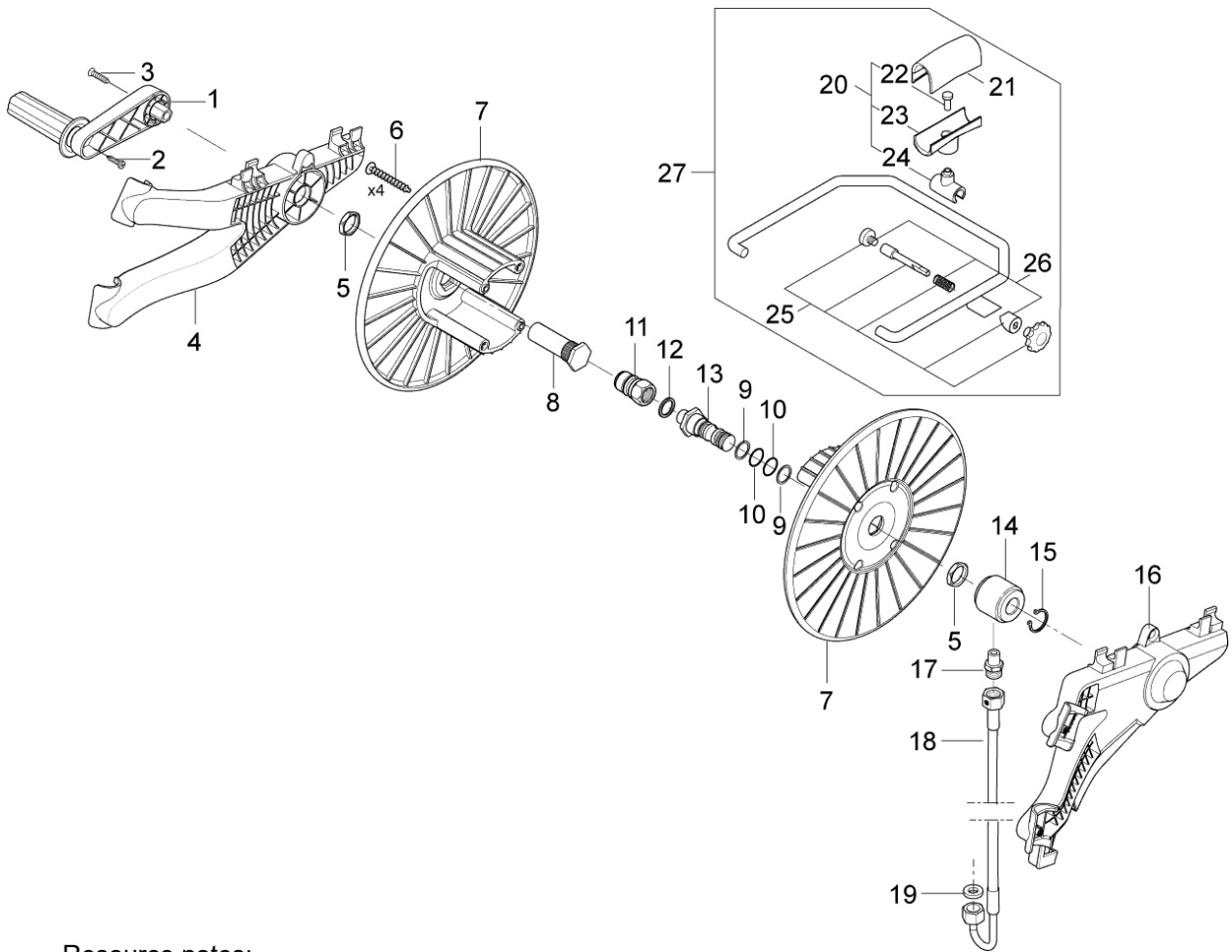


Pos.	Artikel-Nr.	Menge	Variante	Notes
0	101118305	1	START RELAY RVA4G0C KIT	[1]
0	101118143	1	START RELAY KIT F. POSEIDON 5-6-7 1PH US	[1]
1	107141644	1	E-BOX TOP F. 1-POS SWITCH	
1	107141646	1	Gehäuse Elektronik 1Schalter schwarz	
1	107141645	1	Gehäuse Elektronik 2Schalter schwarz	
2	909100214	1	Schalter GR 1 4 Kt	
3	1814730	2	Schraube 3,5x10	
4	301001000	1	Ventil	
5	301001906	1	Verschlusskappe	
6	106408243	1	HOSE 1/4INCH TRANSPARENT - 5 METERS	
7	107141648	1	MANOMETER 0-300 BAR	
8	107141650	1	Halter	
9	107141651	1	Scheibe DIN125-A13	
10	107141696	1	MANOMETER TUBE FFA MODELS	[2]
10	107141653	1	MANOMETER TUBE FA MODELS	
11	909100204	1	Drehknopf 6x5 blau	
12	9868	1	O-Ring 10x2,5	
13	28877	1	Schalter	[3]
13	301001058	1	Schalter	[4]
14	18274	1	Senkschraube M4x12	
15	107141838	6	SCHRAUBE K50X18 WN1451 SCHWARZ TORX 20	
16	103821922	1	Abschlussplatte	
17	107141633	1	Klemmleiste	[5]
18	107307394	1	WIRE TERMINAL 4Q WAGO 2004-1201	
19	103821969	1	Steckbrücke	
20	107307392	1	END PLATE 4Q WAGO 2004-1291	
21	101406054	1	Dichtung	
22	107141654	1	E-BOX BOTTOM DRILLED /CABLE/	[6]
22	107141706	1	E-BOX BOTTOM DRILLED CABLE AND SWITCH	[7]
22	107141665	1	E BOX UNTERTEIL	
22	107141655	1	UNTERTEIL ELEKTRONIK-BOX	[8]
23	107141666	1	PCB POSEIDON 5-6-7	
24	103822314	1	Schütz 100-C30KF10	[9]
24	103822308	1	SCHÜTZ CJX2-D25 25A 400V 3P+NO	[10]
24	103822303	1	Schütz CJX2-D18 18A 400V 3P+NO	[11]
24	63915	1	Schütz 100-C30KF10	[12]
25	107141796	1	PCB Kabel für Saugmodus	[13]
25	107141656	1	Kabel	
26	107143182	1	CAPACITOR 70UF 450/500V RP-3	[14]
26	101117947	1	Kondensator 100UF/450V	[15]
27	107142761	1	START RELAY RVA4G0C	[16]
27	107140968	1	START RELAY RVAH4AHC	[16]
28	101117739	2	Flachkopfschraube	
29	64580	1	Drehknopf	
30	301000293	1	Drehschalter Stern-Dreieck	
31	64773	1	Hilfskontakt 100-SBL11	
32	107141730	1	DISCHARGE RESISTOR 15KOHM/7W	[1]
33	301000263	1	Sicherung	
34A	301000407	1	Netzleitung SJOW AWG10/3	[17]
34B	301000253	1	Netzkabel H07RN-F 4G1,5	[18]
34C	301000834	1	Anschlussleitung Europa	[19]
34D	301000337	1	Netzkabel H07RN-F 4G2,5	[20]
34E	301000384	1	Netzkabel SOW AWG10/4X9	[21]
35	909100198	1	Schnur Befestigung	[22]
36	909100043	1	Kabelverschraubung	[23]
37	909100019	1	Sechskantmutter M20x1,5 EN 50262 PA	[23]
38	909100020	1	Sechskantmutter M25x1,5 EN 50262 PA	[22]
39	909100021	1	Sechskantmutter M32 x1,5 EN 50262 PA	[24]
40	909100016	1	Kabelverschraubung M32x1	[24]

Pos.	Artikel-Nr.	Menge	Variante	Notes
41	107141663	1	Tülle	
42	31000508	1	O-RING NBR	

Part Notes:

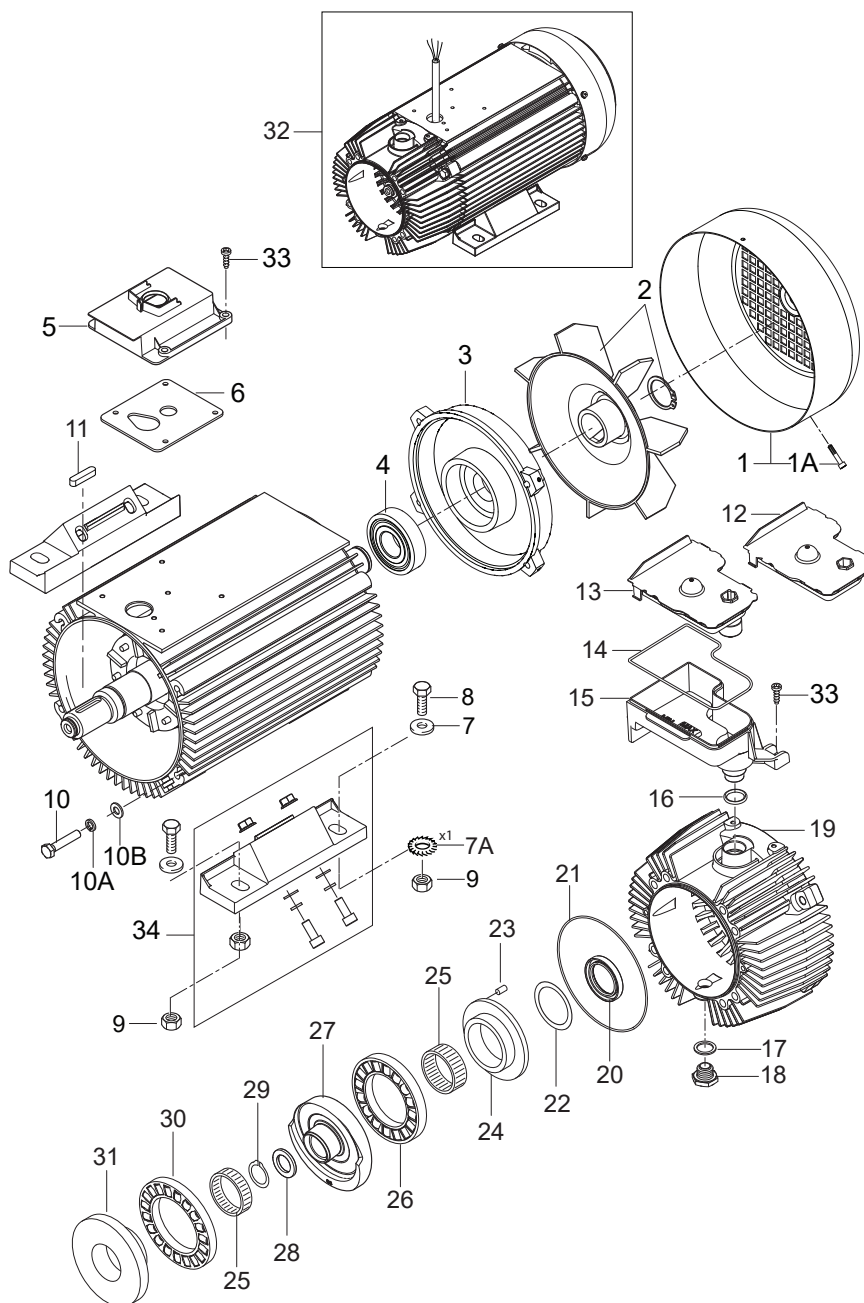
- [1] - 230/1/50 UK, 220-240/1/60 US
- [2] - Food
- [3] - 2-POS.
- [4] - 1-POS.
- [5] - ECN-1010232
- [6] - 220-240/1/60 (6-52 US)
- [7] - 220/440/3/60 (6-73 US)
- [8] - 230;400/3/50 (6-65 NO)
- [9] - 220-240/1/60 (US)
- [10] - 400/3/50 EU
- [11] - 6-61 FFA 400/3/50 EU
- [12] - 230/400/3/50, 220/440-460/3/60
- [13] - S1 to X8 – "suction mode wire"
- [14] - 230/1/50 UK
TSB-PPW-2018-003 MH_MC change of start relay and run capacitor
- [15] - 220-240/1/60 US
- [16] - 230/1/50 UK
- [17] - 6-52 FA 220-240/1/60 USA
GUARANTEE DATE EXPIRED
- [18] - EU
- [19] - Sondi
- [20] - NO, EXP.
- [21] - 6-73 FA 220/460/3/60 USA
GUARANTEE DATE EXPIRED
- [22] - M25
- [23] - M20
- [24] - M32



Resource notes:

IS_301001585_MC 5,6,7,8,9_Mounting instructions for hose reel

Pos.	Artikel-Nr.	Menge	Variante	Notes
0	106403143	1	Schlauchrolle Satz	
1	101118102	1	Kurbel	
2	107141838	1	SCHRAUBE K50X18 WN1451 SCHWARZ TORX 20	
3	107141673	1	Schraube M6x45	
4	107141674	1	Halter	
5	62696	1	Sechskantmutter M24x1,5x	
6	909100153	1	Schraube 6x40	
7	301000775	1	Trommel	
8	107141675	1	Achse	
9	63792	2	Stützring 16,26x2,18	
10	19620	2	O-Ring 15,54x2,62	
11	1600493	1	Anschlussstück	
12	1801075	1	Dichtring	
13	107141676	1	Anschlussstück	
14	301000977	1	Lagerbuchse	
15	1802057	1	Seegerring U 20 x1,2	
16	107141677	1	Halter	
17	54590	1	Anschlussstück	
18	107141678	1	Anschlussstück für Schlauchtrommel	
19	65466	1	Dichtring 8,0x15,0x1,0 DI	
20	101118103	1	Schlauchführung	
21	301000674	1	Schlauchführung	
22	10028	1	Ejotschraube KA50x14 WN1411 verz	
23	301000676	1	Schlauchführung	
24	107141679	1	Schlauchführung	
25	101118106	1	Satz Befestigungsteile	
26	101118111	1	Satz Befestigungsteile	
27	101118105	1	Schlauchführung	



Pos.	Artikel-Nr.	Menge	Variante	Notes
	31001229	1	OIL ISO 150 ALPHASYN-T 20L	
00	5218433	1	Pumpenöl 150 1x1l	[1]
1	107144126	1	Lüfterhaube	
1A	31000488	1	Linsenschraube DIN7985-M5x8	
2	107144125	1	Lüfterrad	
3	31000148	1	Lagerdeckel	
4	31000149	1	Lager RF	
5	107140876	1	ABDECKUNG E BOX AUF MOTOR	
6	107140875	1	Dichtung	[2]
7	2767	7	Scheibe 10,5x2,0 ISO 7090 zn	
7A	107140931	1	TOOTHED WASHER M10 SS	[3]
7A	10204	1	Fächerscheibe 10,5 -A- DIN 6798 FSt/zn	
8	8927	4	Zylinderschraube,	
9	1800465	4	Mutter M10	
9	1802966	4	Mutter M10	[3]
10	6863	4	Zylinderschraube M8x 35 ISO4762 8.8 zn	
10A	2798	8	Federring 8	
10B	2762	8	Scheibe 8,4x1,6 ISO 7089 zn	
11	107140880	1	KEY 6X6X32 A DIN 6885	
12	107140877	1	Deckel	
13	107140883	1	Sensor Ölbehälter	
14	101406054	1	Dichtung	
15	107140879	1	Öltank	
16	107140882	1	O-Ring 15,0 x 3,0	
17	106408208	1	KUPFERDICHTRING 17X25X1.5	
18	6150400	1	Verschlusspfropfen	
19	101118067	1	Lagerdeckel	
20	3001146	1	Wellendichtring	
21	106408215	1	O-RING 126.71 X 1.78 NBR 72	
22	6100995	1	Scheibe 53x40,5x1,25	
23	6100996	1	Kegelstift	
24	107120703	1	Lagerscheibe Motorseitig	
25	3200656	2	Nadellager K40x45x17	
26	3200615	1	Axialrollenlager	
27	106408212	1	Taumelscheibe Poliert 5,8 DEG	[4]
27	106408211	1	WOBBLE DISC POLISHED 5.05DEG	[5]
27	106408210	1	WOBBLE DISC POLISHED 4.3DEG	[6]
27	106408213	1	Taumelscheibe 7.05DEG	[7]
28	106408204	1	Scheibe D32 x D20.1 x 3 Stahl	
29	1802057	1	Seegerring U 20 x1,2	
30	106408206	1	CYL. ROLLER BEARING K81 212-TV AX. D11	
31	106408207	1	BEARING TRACK THRUST	
32	106408201	1	MOTOR 5.2KW. 1X230	[8]
32	106408202	1	MOTOR 7.5KW. 3X230/400-220/440	[9]
32	106408200	1	MOTOR 6.8KW. 3X230/400-220/440	[10]
32	106408203	1	MOTOR 4.5KW. 3X230/400-220/440	[11]
32	106408185	1	MOTOR NA6 7KW/200/50/3PH	[12]
33	107140881	6	SCREW M5X12 DIN 7985 TORX	
34	106408249	2	FEET FOR MOTOR	

Part Notes:

- [1] - 0,8L - OIL TYPES_QUANTITY for HPW_APRIL 2017
- [2] - TSB-PPW-2018-012 NA5_NA6 mpu. Water enters into the stator.
- [3] - Food
- [4] - TSB-PPW-2019-007 C3 NA6 Wobble Disc and Bearing Track surface hardening change

POSEIDON 6-65 FA -

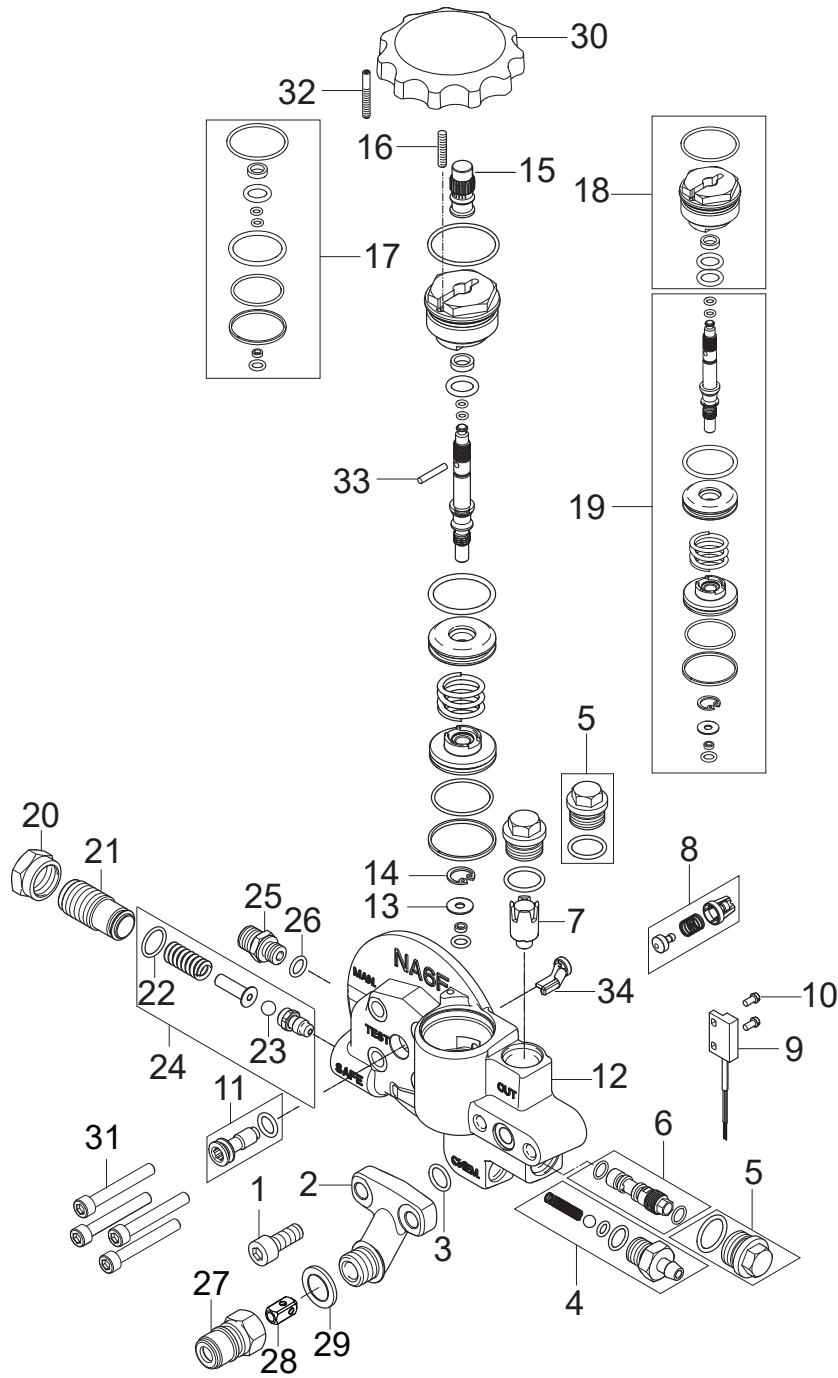
Machine no. 107146752, 107146759, 107146760 MC 6P-180/1300 FA 400/3/50 EU

-
- [5] - TSB-PPW-2019-007 C3 NA6 Wobble Disc and Bearing Track surface hardening change
- POSEIDON 6-64 FA - Machine no. 107146751, 107146758 MC 6P 250/1100 FA 400/3/50 EU
- POSEIDON 6-64 FA - Machine no. 107146767 MC 6P-250/1100 FA 415/3/50 AU
- POSEIDON 6-56 FA - *Machine no. 107146764 MC 6P-3000/6,0 FA 230-460/3/60 US
- POSEIDON 6-65 FA - Machine no. 107146954 MC 6P-180/1300 FA 220-440/3/60 EXPT
- Machine no. 107146772 MC 6P-200/1100 FA
- Machine no. 107146770 MC 6P-230/1100 FA 200/3/50 JP
- [6] - TSB-PPW-2019-007 C3 NA6 Wobble Disc and Bearing Track surface hardening change
- 6-52 FA – Machine no. 107146750 MC 6P 150/1140 FA 220-240/1/60 USA,
- 6-64 FA – Machine no. 107146769 MC 6P 250/1100 FA 220-230/440-460/3/60EXP
- *Machine no. 107146771 MC 6P-230/1100 FA 200/3/60 JP
- [7] - 6-61 FFA – *Machine no.107146763 MC 6P 100/1600 FFA - 400V 3ph. 50Hz
- 6-79 FA – Machine no. 107146755, 107146761 MC 6P 170/1610 - 400V 3ph. 50 Hz
- [8] - 6-52 FA – MC 6P 150/1140 FA 220-240/1/60 USA
Also order Gasket for motor, 107140875
- [9] - 6-64 FA – MC 6P 250/1100 FA 400/3/50-60
- 6-73 FA 220/400/3/60,
- 6-79 FA – MC 6P 170/1610 FA 400/3/50
Also order Gasket for motor, 107140875
- [10] - 6-65 FA – MC 6P 180/1300 FA 230:400/3/50
Also order Gasket for motor, 107140875
- [11] - 6-61 FFA – MC 6P 100/1610 FFA 400/3/50 EU
Also order Gasket for motor, 107140875
- [12] - MC 6P-230/1100 FA 200/3/50-60 JP
Also order Gasket for motor, 107140875
-

Pos.	Artikel-Nr.	Menge	Variante	Notes
1	101118057	1	SEAL KIT FOR CYLINDER BLOCK NA6	
2	101118066	1	Kolbensatz NA6 Pumpe	[1]
2	101118065	1	Kolbensatz mit Markierung NA6 6-79 6-61F	[2]
3	101118059	1	Rückhohlfedern Satz NA& Pumpe	
4	101118060	1	Zylinderblock NA6 Pumpe	
5	106408197	1	Pumpenkopf D24 NA6	
6	2767	8	Scheibe 10,5x2,0 ISO 7090 zn	
7	1813393	8	Schraube M10 x100 8.8	
8	101118063	1	Ansaugrohr Satz NA6	
9	101118062	1	Kit Ein-/Auslassventil - NA6	
10	101118277	1	Dichtungssatz Heisswasser NA6	[3]
10	101118276	1	WASSER DICHTUNGSSET - NA6	[3]
10	101118325	1	WATER SEAL NA6 H.D.LONG LIFE HOT WAT.KIT	
11	31410	2	SHR ZYL- M6X 50	

Part Notes:

- [1] - 6-52, 6-64, 6-65, 6-73
- [2] - 6-61, 6-79
- [3] - Implementation date: July 2017
Serial Number: 3520172701255
TSB-PPW-2017-017 NA6_NA6plus Water Seal Kit changes
DE TSB-PPW-2017-017 NA6 und NA6 Wasserdichtungsset Überarbeitung
FR TSB-PPW-2017-017 Changement des kit joints d'eau pompe NA6



Pos.	Artikel-Nr.	Menge	Variante	Notes
1	106408193	2	SCREW M8 X 20 8.8 DIN 912 FZB	
2	106408192	1	Ausgangsfitting Axial NA5 Pumpe	
3	106408191	1	O-Ring 10,82x1,78 NBR 70	
4	1119406	1	Rückschlagventil	
5	107144154	2	OIL PLUG M18X1.5 WITH O-RING /SH90/	
6	107144112	1	Injektor	[1]
6	107140794	1	Venturi Düse D2.3 rot	[2]
7	101118055	1	MAGNET AND HOUSE FOR FLOW SWITCH-KIT NA6	
8	101118056	1	Rückschlagventil	[3]
9	106408216	1	Mikroschalter	
10	101118033	2	SCREW M3X6 BRASS	
11	107144137	1	Stopfen	
12	106408194	1	UNLOADER FA NA6	
13	106408196	1	WASHER D12.95 X D4.6 X 0.9 BRASS	
14	106408195	1	Sicherungsring Gr. 13 DIN472	
15	106408189	1	NUT M8 X 1 FOR UNLOADER VALVE FA	
16	107146563	1	SCREW POINTED DIN 913 M4X16 FZG	
17	101118050	1	SEALING KIT FOR NA6	
18	101118051	1	PLUG FOR UNLOADER VALVE FA - KIT NA6	
19	101118049	1	CONTROL UNIT - KIT NA6	
20	6100928	1	Mutter	
21	6100940	1	Einstellschraube	
22	3001070	1	O-Ring 13,1 x 1,6 SMS	
23	1802644	1	BALL Ø7 G40 WKS 1.4034	
24	101118118	1	OPENING VALVE REP. KIT	
25	1821	1	Verbindungsstück	
26	3001740	1	O-RING 7.66X1.78 NITRIL 70SH	
27	1600493	1	Anschlussstück	
27	1603101	1	Nippel Schnellkupplung	[4]
28	6101038	1	Kolben	
29	1801075	1	Dichtring	
30	107140823	1	Drehgriff	
31	9543	4	Schraube M8 X 55 8.8	
32	107146562	1	SCREW M4X30 POINTED DIN 413	
33	107146561	1	PIN DIA 3 X 18MM STAINLESS STEEL	
34	107144239	1	PLUG NA6FA BYPASS VALVE	[5]

Part Notes:

- [1] - 6-52 FA (US), 6-56 FA, 6-64 FA, 6-65 FA, 6-73 FA (US)
6P 2300/5.0 FA (US), 6P 200/1110 FA, 6P 230/1100FA (JP), 6P 250/1100 FA, 6P 180/1300 FA, 6P 250/1100 FA, 6P 3000/6.0 FA (US)
- [2] - 6-79 FA, 6-61 FFA
6P 170/1600 FA, 6P 100/1600 FFA
- [3] - Spring included: OD8,2 x L9,3 x d0,5
- [4] - INOX
- [5] - MC 6P-180/1300 FAXT 400/3/50 EU, MC 6P-180/1300 FA 400/3/50 EU
MC 6P-250/1100 FA 400/3/50 EU, MC 6P-180/1300 FAXT 230-400/3/50 NO
MC 6P-180/1300 FA 220-440/3/60 EXPT, MC 6P-250/1100 FAXT 400/3/50 EU
MC 6P-250/1100 FA 220-440/3/60 EXPT, MC 6P-250/1100 FA 415/3/50 AU
MC 6P-200/1100 FAXT 400/3/50 EU

TSB-PPW-2020-009 NA6 FA pump in MC and MH models unstable by-pass
DE TSB-PPW-2020-009 NA6 FA Pumpe in MC und MH Instabile Bypass Funktion
TSB-PPW-2020-009 By-pass instable NA6 FA

**No
Diagram
Available**

**Parts List
Only**

Pos.	Artikel-Nr.	Menge	Variante	Notes
1	106403122	1	ERGO 2000 STANDARD W. HOSE SWIVEL	[1]
1	106403154	1	ERGO 2000 SPRAY GUN W/O LOGO ACC.	[2]
2	106403010	1	TORNADO PLUS 1120 Geb. o. Düse	[3]
3	101119760	1	HD-Düse 1300 TORNADO	[4]
3	101119747	1	HD-Düse 0680 TORNADO	[5]
3	101119748	1	HD-Düse 0700 TORNADO	[6]
3	301150005	1	HD-Düse 0475 TORNADO	[7]
3	101117655	1	TORNADO DÜSE 0950 Rosa	[8]
4	106403078	1	TURBOHAMMER PLUS 1130 STR./NOZ. W11 1000	[9]
4	48872	1	Rotordüse 050	[7]
4	301001629	1	Reparatur Set Turbohammer	[8]
5	1402064	1	Hochdruckschlauch 15m 3/8 DN10 max 150C	[10]
5	6101766	1	HD-Schlauch DN10x10m/3/8	[10]
5	6101767	1	HD-Schlauch DN10x10m SL	[10]
5	1402072	1	HD-Schlauch DN10x20m	[10]
6	106403145	1	Lenkrollen-Set	[11]
7	106403142	1	Sandfilter-Set f. POS-Mod	[12]
8	106403144	1	Wasservorlaufbehälter Poseidon 5,6,7,8	[13]
8	106403165	1	Sandfilter-Set f. POS	[14]
9	106403160	1	Kran aufgehängung bis 1000kg	[15]
10	106403162	1	Reinigungsmitteltank	[16]
11	106403143	1	Schlauchrolle Satz	[17]
12	101118105	1	Schlauchführung	[17]

Part Notes:

- [1] - ERGO 2000 Spray handle
- [2] - UNITOR
- [3] - TORNADO PLUS lance
- [4] - 6-61
- [5] - 6-52 US, 7-67
- [6] - 6-65
- [7] - 6-64
- [8] - 6-79
- [9] - 6-79
TURBOHAMMER PLUS lance
- [10] - HOSES Overview
- [11] - PRUNED-NO REPLACEMENT
106403145 - Front wheel kit
- [12] - SANDFILTER KIT POSEIDON 5-6-7 from September 2012
- [13] - PRUNED-NO REPLACEMENT
106403144 - WATER BRAKE TANK POSEIDON 5-6-7 from September 2012
- [14] - PRUNED-NO REPLACEMENT
106403165 - SANDFILTER FOR WBT POSEIDON 5-6-7 from September 2012
- [15] - PRUNED ACCESSORY
Crane roundsling 1000kg 50cm
- [16] - 106403162 - Detergent tank with safety cap
- [17] - Hose reel

**No
Diagram
Available**

**Parts List
Only**

Pos.	Artikel-Nr.	Menge	Variante	Notes
	101118106	1	Satz Befestigungsteile	
	101118111	1	Satz Befestigungsteile	
	101118102	1	Kurbel	
	101118104	1	Satz Befestigungsteile	
	107141632	1	KABELHALTERUNG	
	107141667	1	Sicherungsring	
	107141648	1	MANOMETER 0-300 BAR	
	107141679	1	Schlauchführung	
	107141633	1	Klemmleiste	[1]
	107141627	1	SCREW K50X40 T20	
	107141635	1	Reinigungsmitteltank	
	107141664	1	Deckel	
	107141615	1	Stützfuß	
	107141629	1	Schlauchhalterung	
	107141650	1	Halter	
	107141634	1	Hinterteil	
	101118103	1	Schlauchführung	
	107141668	1	Wassereinlass	
	107141630	1	Lanzenhalterung NA	
	107141653	1	MANOMETER TUBE FA MODELS	
	107141676	1	Anschlussstück	
	101118101	1	Griffschale	
	107141663	1	Tülle	
0A	101117926	1	Sieb	[2]
0A	101118050	1	SEALING KIT FOR NA6	[2]
0A	101118277	1	Dichtungssatz Heisswasser NA6	[2]
0A	101118055	1	MAGNET AND HOUSE FOR FLOW SWITCH-KIT NA6	[2]
0A	101118056	1	Rückschlagventil	[3]
0A	101118062	1	Kit Ein-/Auslassventil - NA6	[2]
0A	101118057	1	SEAL KIT FOR CYLINDER BLOCK NA6	[2]
0B	101118059	1	Rückhohlfedern Satz NA& Pumpe	[4]
0B	101118066	1	Kolbensatz NA6 Pumpe	[4]
0B	106408216	1	Mikroschalter	[4]
0C	31000151	1	Hinteres Lager EME	[5]
0C	106408210	1	WOBBLE DISC POLISHED 4.3DEG	[6]
0C	3200656	1	Nadellager K40x45x17	[5]
0C	106408213	1	Taumelscheibe 7.05DEG	[5]
0C	107143182	1	CAPACITOR 70UF 450/500V RP-3	[5]
0C	106408212	1	Taumelscheibe Poliert 5,8 DEG	[6]
0C	101118049	1	CONTROL UNIT - KIT NA6	[5]
0C	107141666	1	PCB POSEIDON 5-6-7	[5]
0C	106408202	1	MOTOR 7.5KW. 3X230/400-220/440	[5]
0C	103822303	1	Schütz CJX2-D18 18A 400V 3P+NO	[5]
0C	106408200	1	MOTOR 6.8KW. 3X230/400-220/440	[5]
0C	106408211	1	WOBBLE DISC POLISHED 5.05DEG	[7]
0C	301001058	1	Schalter	[5]
0C	103822314	1	Schütz 100-C30KF10	[5]
0C	107142761	1	START RELAY RVA4G0C	[5]
0C	3200615	1	Axialrollenlager	[5]
0C	106408189	1	NUT M8 X 1 FOR UNLOADER VALVE FA	[5]
0C	106408201	1	MOTOR 5.2KW. 1X230	[5]
0C	301000402	1	Widerstand 15 kΩ	[5]
0C	31000149	1	Lager RF	[5]
0C	106408203	1	MOTOR 4.5KW. 3X230/400-220/440	[5]
0C	64773	1	Hilfskontakt 100-SBL11	[5]
0C	101118067	1	Lagerdeckel	[5]
0C	101118063	1	Ansaugrohr Satz NA6	[5]
0C	101118051	1	PLUG FOR UNLOADER VALVE FA - KIT NA6	[5]
0C	301000263	1	Sicherung	[5]

Pos.	Artikel-Nr.	Menge	Variante	Notes
0C	103822308	1	SCHÜTZ CJX2-D25 25A 400V 3P+NO	[5]

Part Notes:

- [1] - ECN-1010232
- [2] - A
- [3] - A
Spring included: OD8,2 x L9,3 x d0,5
- [4] - B
- [5] - C
- [6] - C
TSB-PPW-2019-007 C3 NA6 Wobble Disc and Bearing Track surface hardening change
- [7] - C

TSB-PPW-2019-007 C3 NA6 Wobble Disc and Bearing Track surface hardening change

