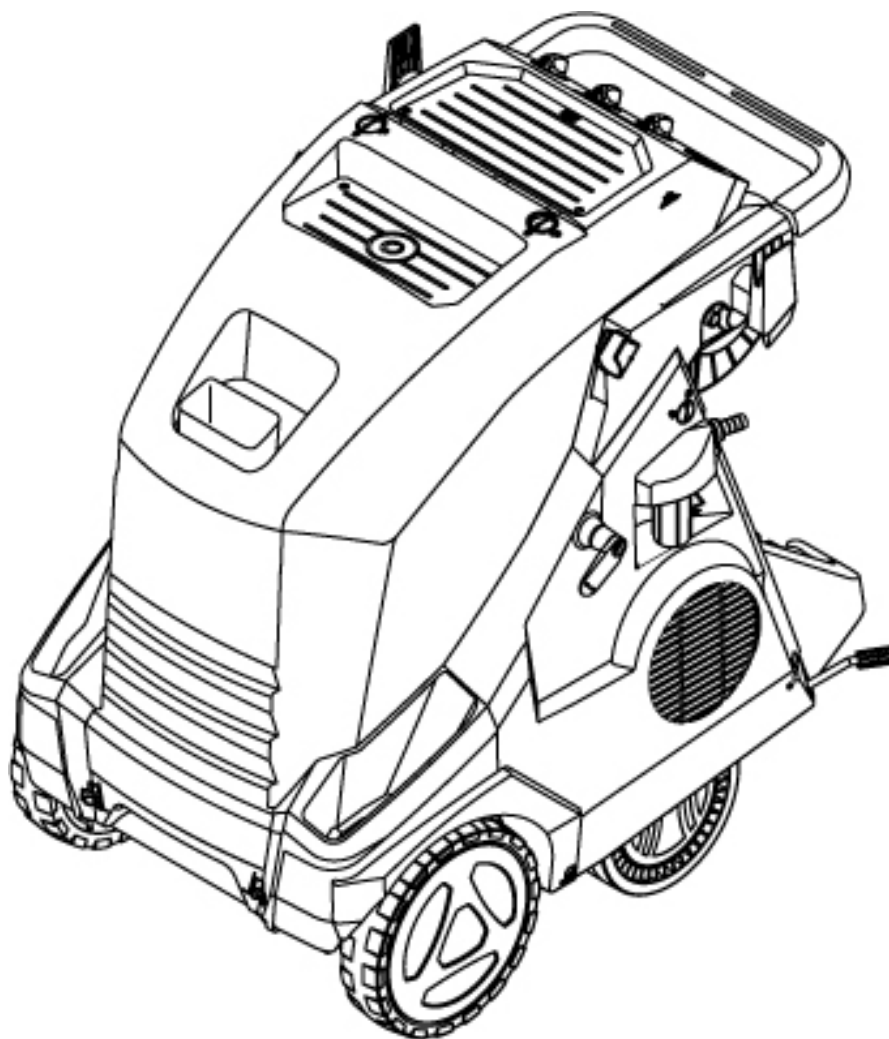


PARTS LIST

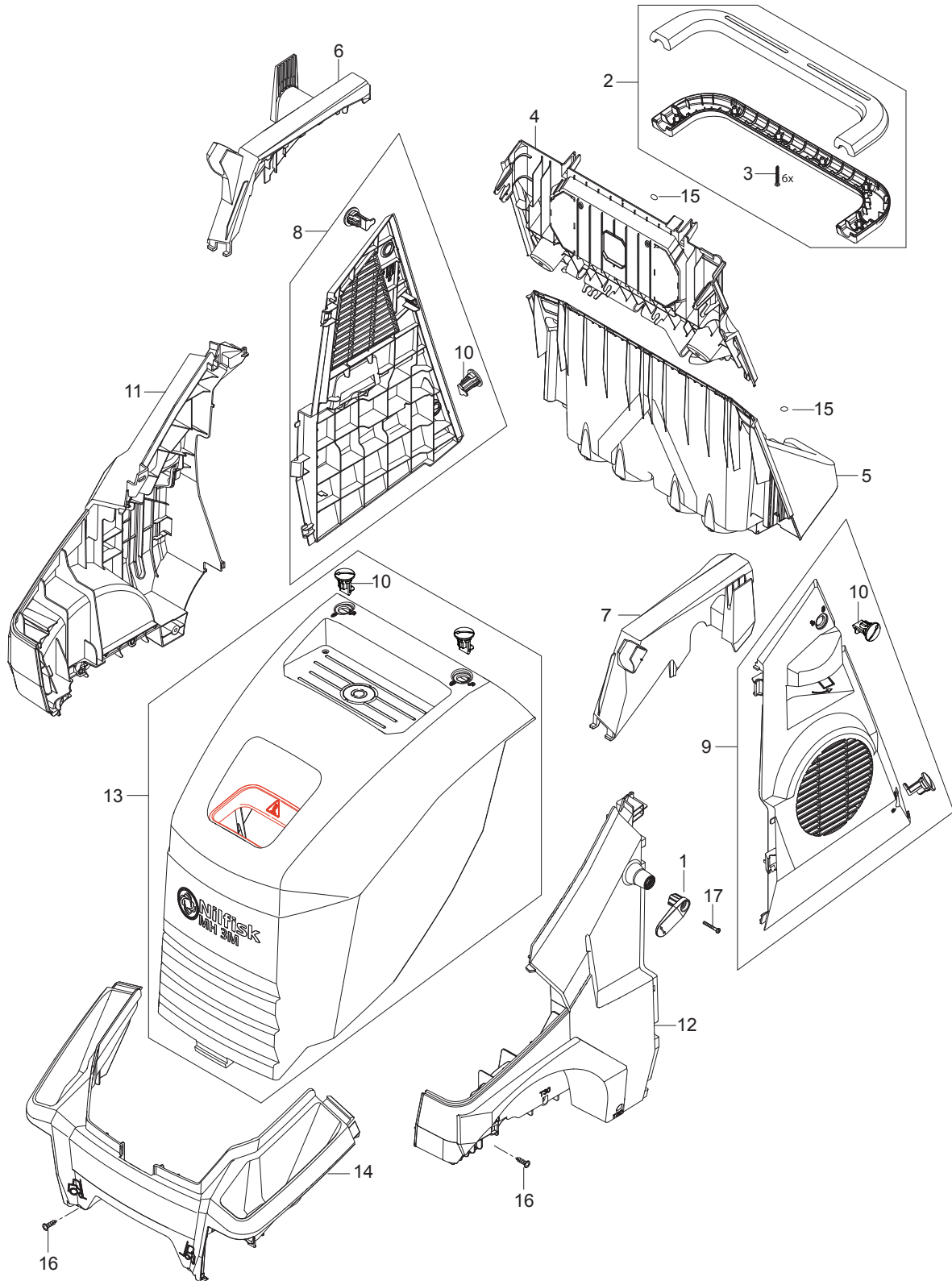


2025.08.30

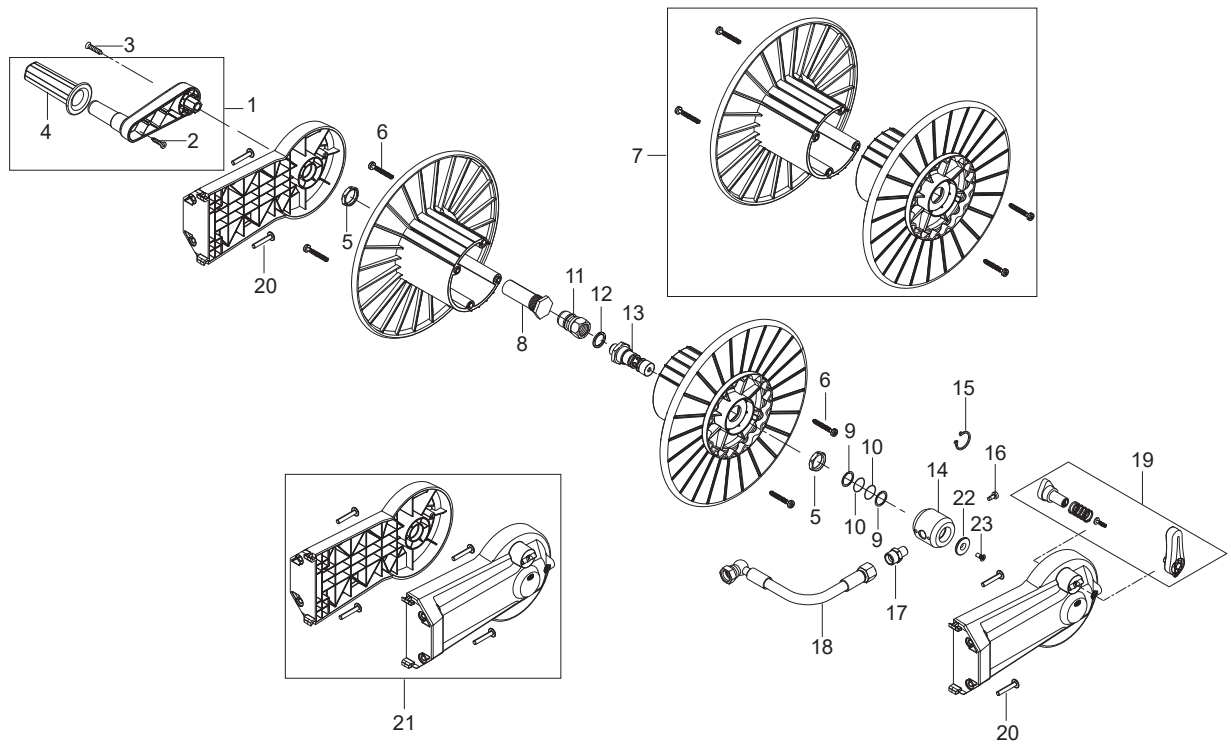
NILFISK

TABLE OF CONTENTS

Cabinet.....	1
Hose reel.....	3
Chassis.....	5
Water break tank.....	7
Fuel tank.....	9
Water inlet_PA.....	11
1x detergent.....	13
Anti-scale.....	15
Electric box.....	17
Cables and wires.....	20
Motor with el-box_Star/Delta.....	22
Motor with el-box.....	24
Pump_without easy start and without injector.....	26
Flow control PA.....	28
Fan.....	30
Boiler b2.....	32
Burner unit.....	34
Recommended spare parts.....	36



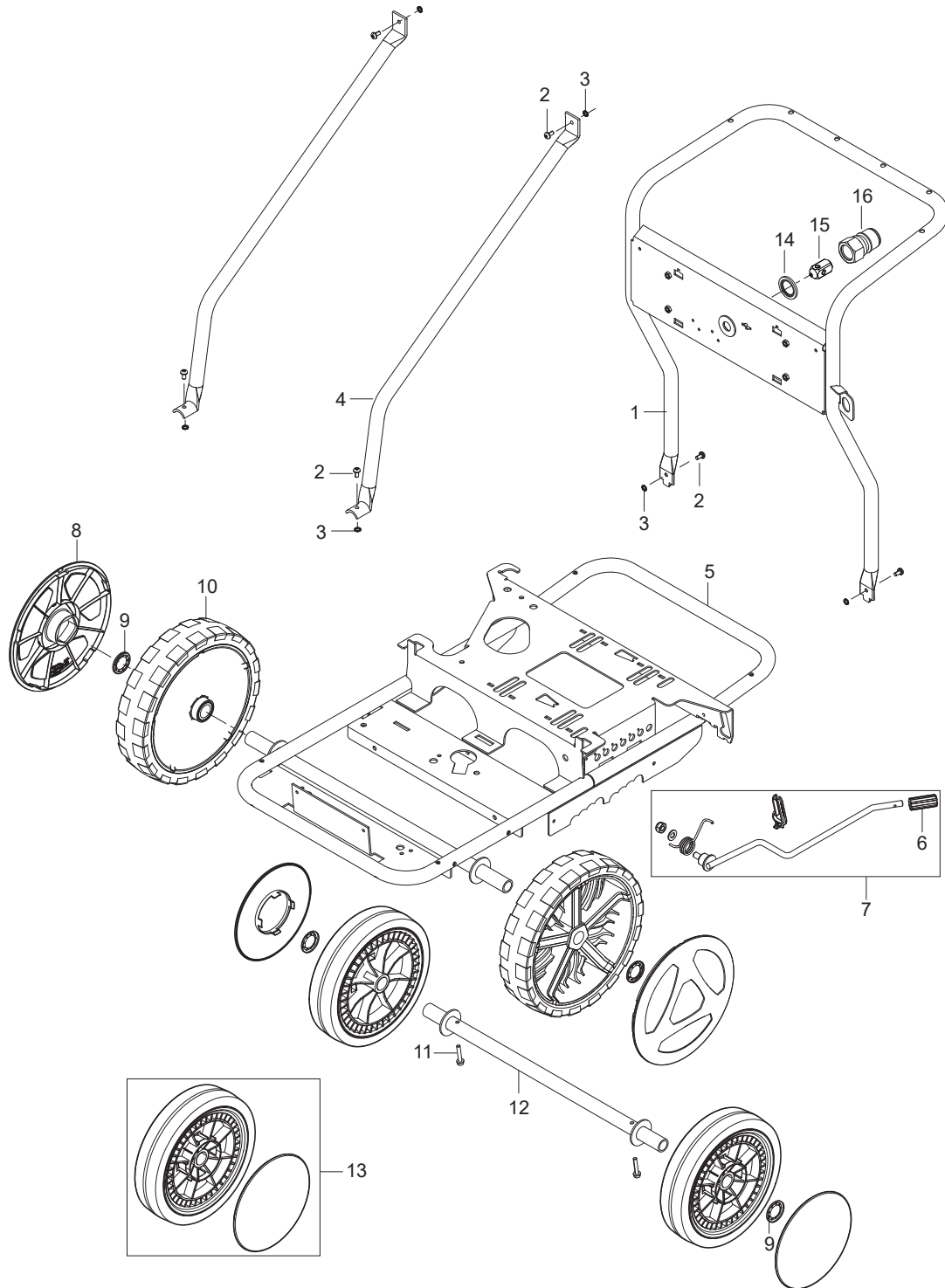
Pos.	Artikel-Nr.	Menge	Variante	Notes
1	107143025	1	CABLE HOOK CLAMP BLUE	
2	101118192	1	HANDLE KIT	
3	909100148	6	Ejotschraube K40x30 WN 14	
4	107143013	1	REAR END TOP	
5	107143014	1	REAR END BOTTOM	
6	107143021	1	COVERING FOR HANDLE RIGHT	
7	107143022	1	COVERING FOR HANDLE LEFT	
8	107143024	1	DOOR W/LOCKS MPU NA4 RIGHT	
9	107143019	1	DOOR LEFT W/LOCKS	
10	301001261	6	Verriegelung	
11	107143012	1	SIDE BUMPER SMALL RIGHT	
12	107143011	1	SIDE BUMPER SMALL LEFT	
13	101118193	1	CABINET MH 3M NILFISK KIT	
14	107143015	1	FRONT BUMPER	
15	107143009	6	BLIND PLUG D16.5 FOR T30 BLACK PE	
16	107143018	6	SCREW M6X16	
17	107141838	11	SCHRAUBE K50X18 WN1451 SCHWARZ TORX 20	



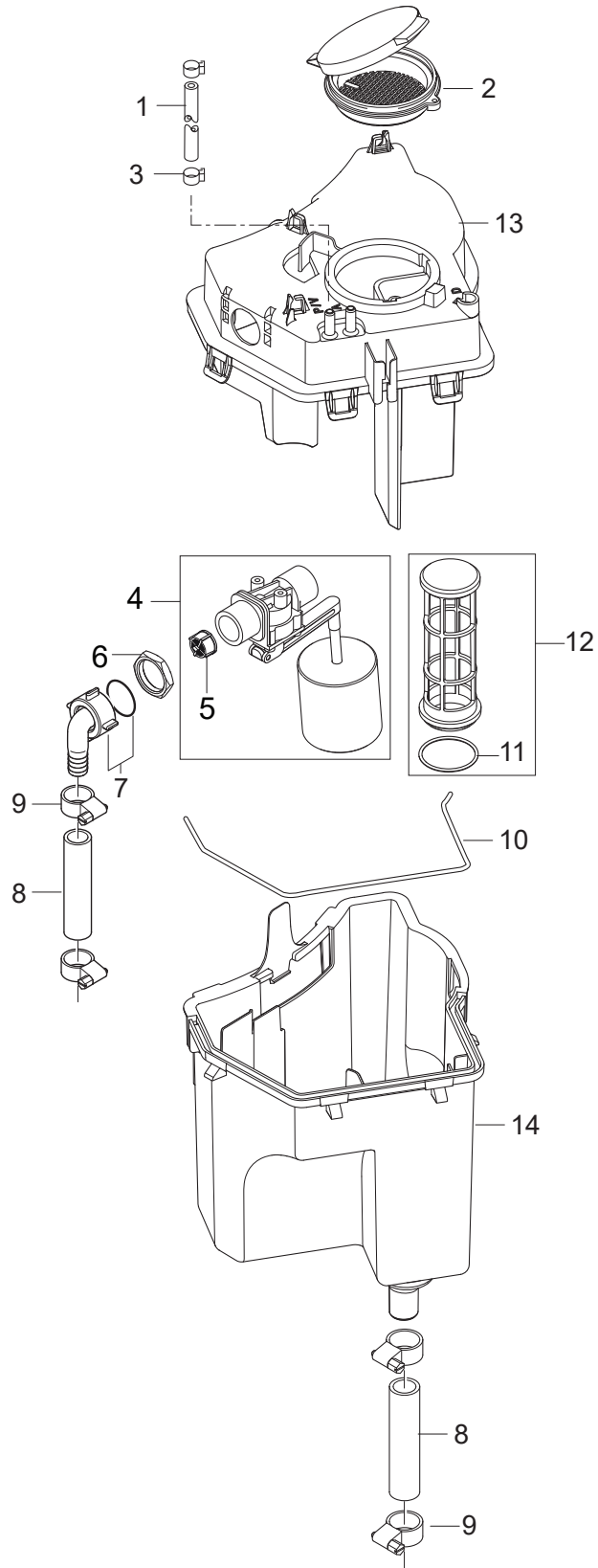
Pos.	Artikel-Nr.	Menge	Variante	Notes
0	106403184	1	Schlauchtrommel CAP 20M DN8	
1	101118215	1	HANDLE FOR HOSE REEL NILFISK	
2	107141838	2	SCHRAUBE K50X18 WN1451 SCHWARZ TORX 20	
3	107141673	1	Schraube M6x45	
4	107143007	1	ROTATING HANDLE FOR HOSE REEL NILFISK	
5	62696	2	Sechskantmutter M24x1,5x	
6	909100153	4	Schraube 6x40	
7	101118209	1	HOSE REEL SIDE KIT	
8	107141675	1	Achse	
9	107143017	2	BACK-UP RING	
10	19620	2	O-Ring 15,54x2,62	
11	1600493	1	Anschlussstück	
12	1801075	1	Dichtring	
13	107143123	1	SWIVEL FOR HOSE REEL	
14	101118317	1	BEARING BUSH KIT	[1]
15	1802057	1	Seegerring U 20 x1,2	[2]
16	107141690	1	Linsenschraube DIN7985-M5x12-8.8	
17	54590	2	Anschlussstück	
18	107143114	1	CONNECTION HOSE DN8 FOR HOSE REEL	
19	101118212	1	Ø20KE HANDLE FOR HOSE REEL NILFISK KIT	
20	107143010	4	SCREW M6X35	
21	101118208	1	HOSE REEL ADAPTOR KIT	
22	107143125	1	WASHER 25 FOR COUNTERSUNK M5	[3]
23	107143124	1	COUNTERSUNK M5X12 ISO 14581	[3]
		1	Mounting instr. for Hose Reel Nilfisk	[4]

Part Notes:

- [1] - TSB-PPW-2019-005 MH Hose Reel Screw 107143124 can break
DE TSB-PPW-2019-005 MH Schlauchtrommel Schraube 107143124 kann brechen
TSB-PPW-2019-005 vis cassée à l'enrouleur des MH
- [2] - Up to 07.2016
- [3] - TSB-PPW-2016-018 MH 4M Hose Reel Circlip
- [4] - Mounting instructions MH Nilfisk hose reel



Pos.	Artikel-Nr.	Menge	Variante	Notes
1	31001031	1	FRAME HANDLE	
2	107143018	6	SCREW M6X16	
3	107143146	6	WASHER SERRATED M6	
4	31001032	2	HANDLE STIFFENER SHORT	
5	31001033	1	FRAME SHORT	
6	107143028	1	BRAKE KNOB	
7	101118180	1	BRAKE ARM SHORT KIT	
8	107145780	2	RADKAPPE FUER RAD Ø300X65	
9	46363	4	Klemmscheibe	
10	107145637	2	RAD D300X65 (STARCO)	
11	107143027	2	SCREW M6X35 SW10 DIN7500D FZB	
12	31001034	1	WHEEL AXLE REAR	
13	107143304	2	Rad D250 mit Abdeckung	
14	1801075	1	Dichtring	
15	107143066	1	PISTON	
16	1600493	1	Anschlussstück	

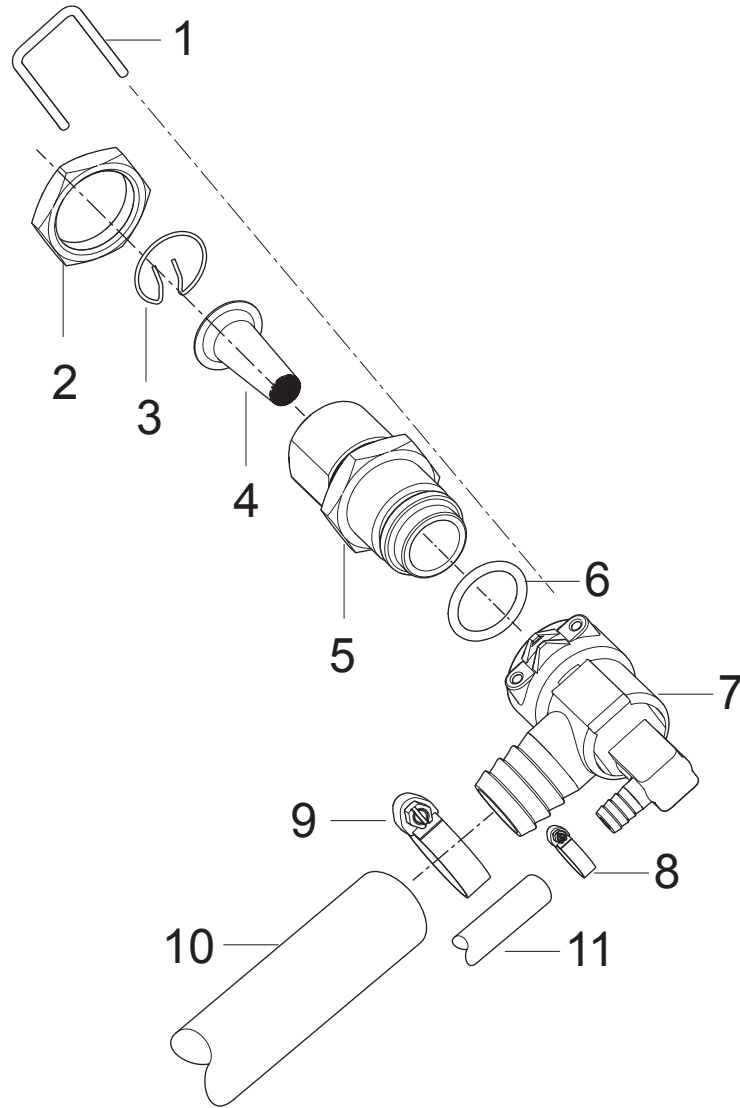


Pos.	Artikel-Nr.	Menge	Variante	Notes
1	101406100	1	Schlauch 6x3 mm x 5 m	
2	301000561	1	Deckel RP-Behälter	
3	301001133	2	Schlauchklemme 10/7	
4	101117784	1	Schwimmerventil	
5	34218	1	Filter Ø19 KU	
6	1800341	1	Gegenmutter 3/4	
7	107143084	1	HOSE COUPLING 90° 20X3/4 PP W/NUT/GASKET	
8	107143031	1	FUELFLEX HOSE D28/D20 10BAR/20°	
9	8298	4	Schlauchschelle SGL 16-27	
10	101406054	1	Dichtung	
11	107143032	1	O-RING D30X2 SHORE70 NBR BLACK	
12	106403194	1	FILTER FOR WATER BREAK TANK ACCESSORY	
13	107143060	1	COVER FOR WATER TANK	
14	107143030	1	WATER BREAK TANK	

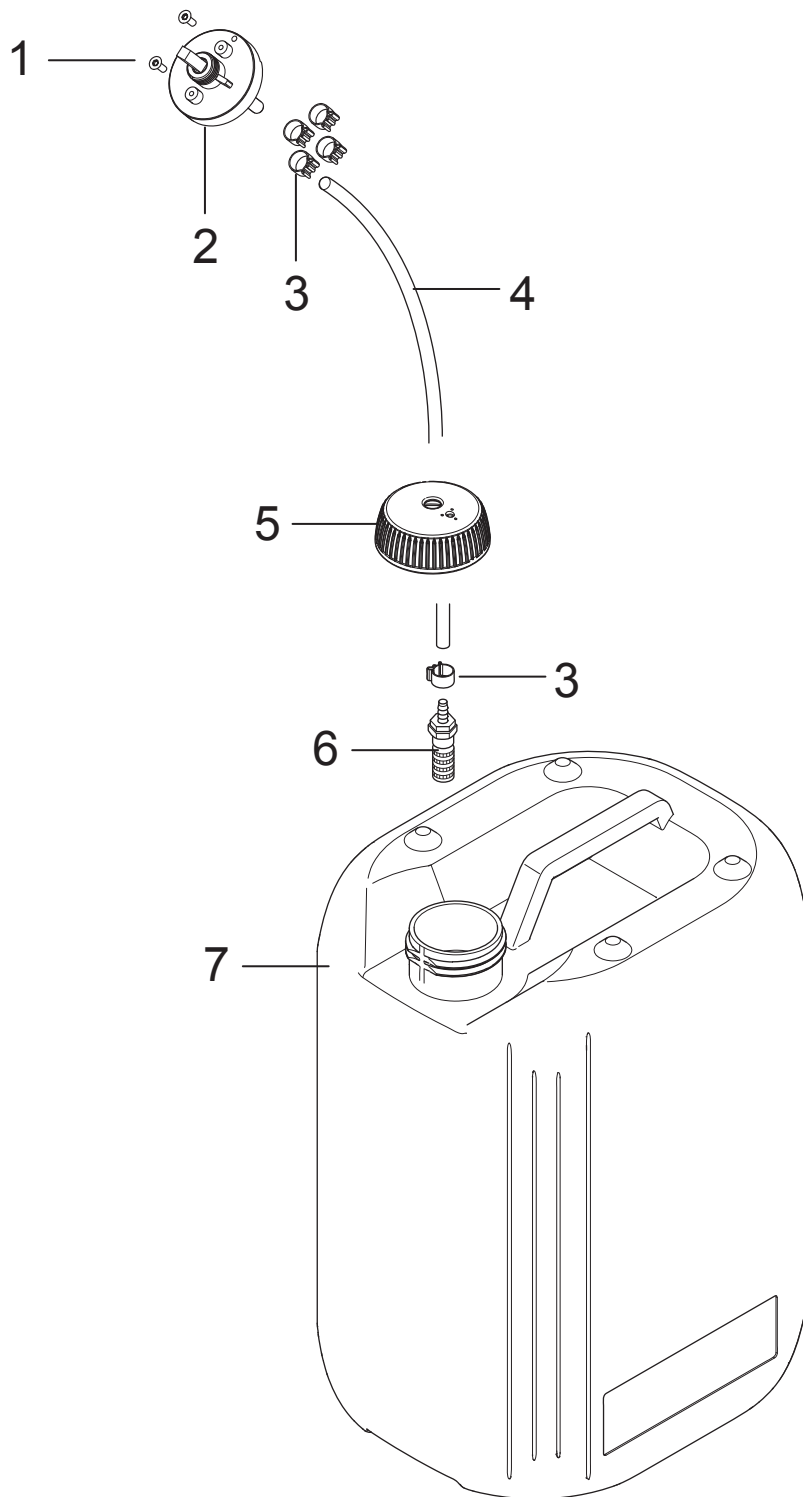
Pos.	Artikel-Nr.	Menge	Variante	Notes
1	107143034	1	FUEL TANK LID - RED	
2	107144862	1	Tankfilter Ø49,5X140	
3	107143035	1	FUEL TANK 15L	
4	301001133	6	Schlauchklemme 10/7	
5	301002926	1	Filter 101X36.5X6 KU	
6	106408244	1	HOSE D6X2.5 - 5 METERS	
7	3000072	1	O-Ring 10,1 X 1,6 SMS	
8	6180906	1	Verschlussschraube	[1]
9	107143033	1	LEVEL SENSOR FUEL TANK	
10	3001237	1	Dichtung	[2]
11	107143113	1	END CAP 3/4	[2]
12	107143164	1	BEND PROTECTOR	[3]

Part Notes:

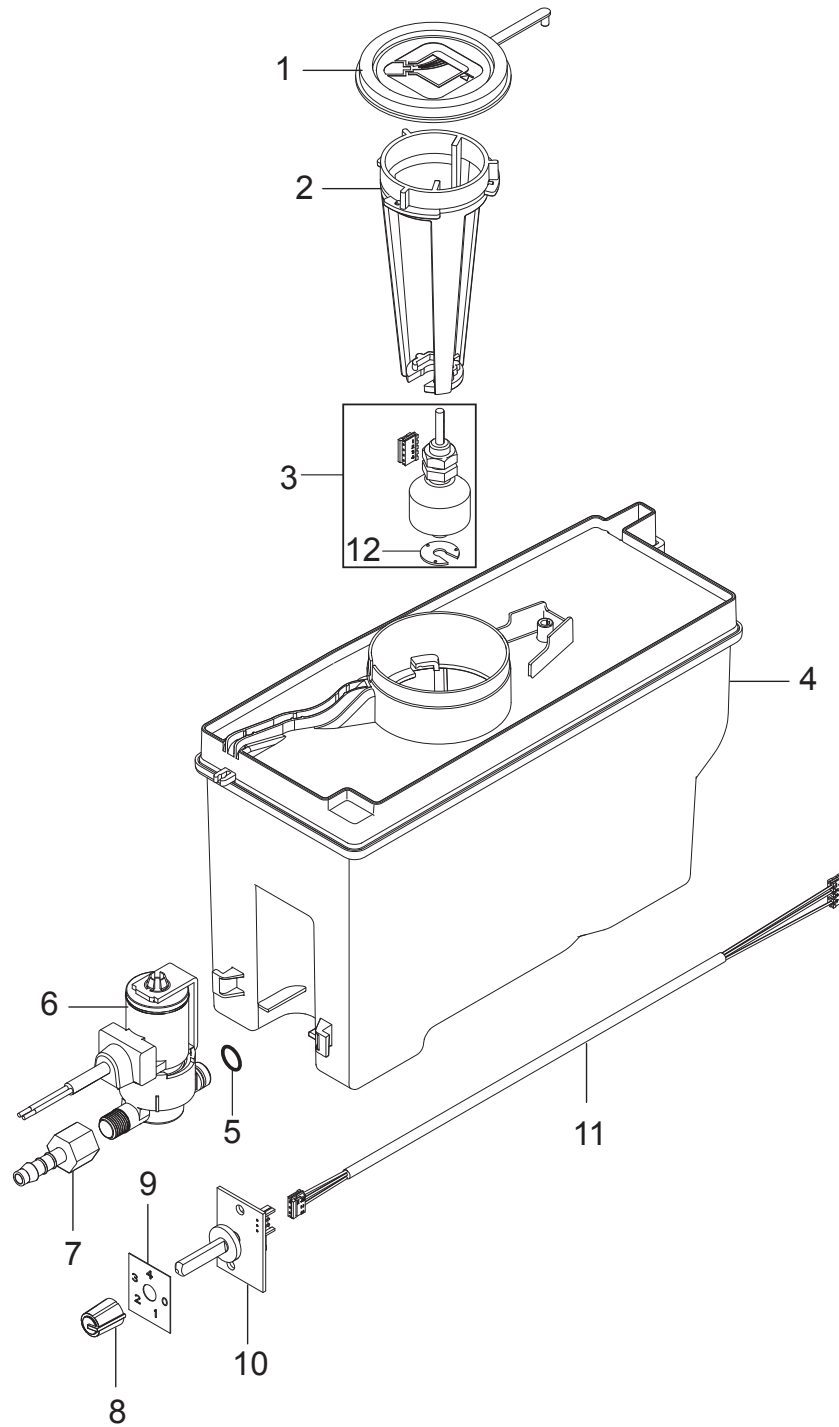
- [1] - NO REPLACEMENT
- [2] - MH3/FAL
- [3] - DE TSB-PPW-2017-006 MH 3, 4, 5, 6, 7 Kraftstoffschlauch kann durch zu st...
TSB-PPW-2017-006 MH 3, 4, 5, 6, 7 Fuel hose can bend and block for fuel



Pos.	Artikel-Nr.	Menge	Variante	Notes
1	107143085	2	LOCK PIN	
2	1800341	1	Gegenmutter 3/4	
3	107141667	1	Sicherungsring	
4	101117926	1	Sieb	
5	107143086	1	FITTING FOR WATER INLET	
6	107143088	2	O-RING 18.72X2.62	
7	107143089	1	WATER INLET FITTING FOR PA	
8	11654	1	Schlauchklemme 11,5	
9	8298	1	Schlauchschele SGL 16-27	
10	107143031	1	FUELFLEX HOSE D28/D20 10BAR/20°	
11	101406100	1	Schlauch 6x3 mm x 5 m	



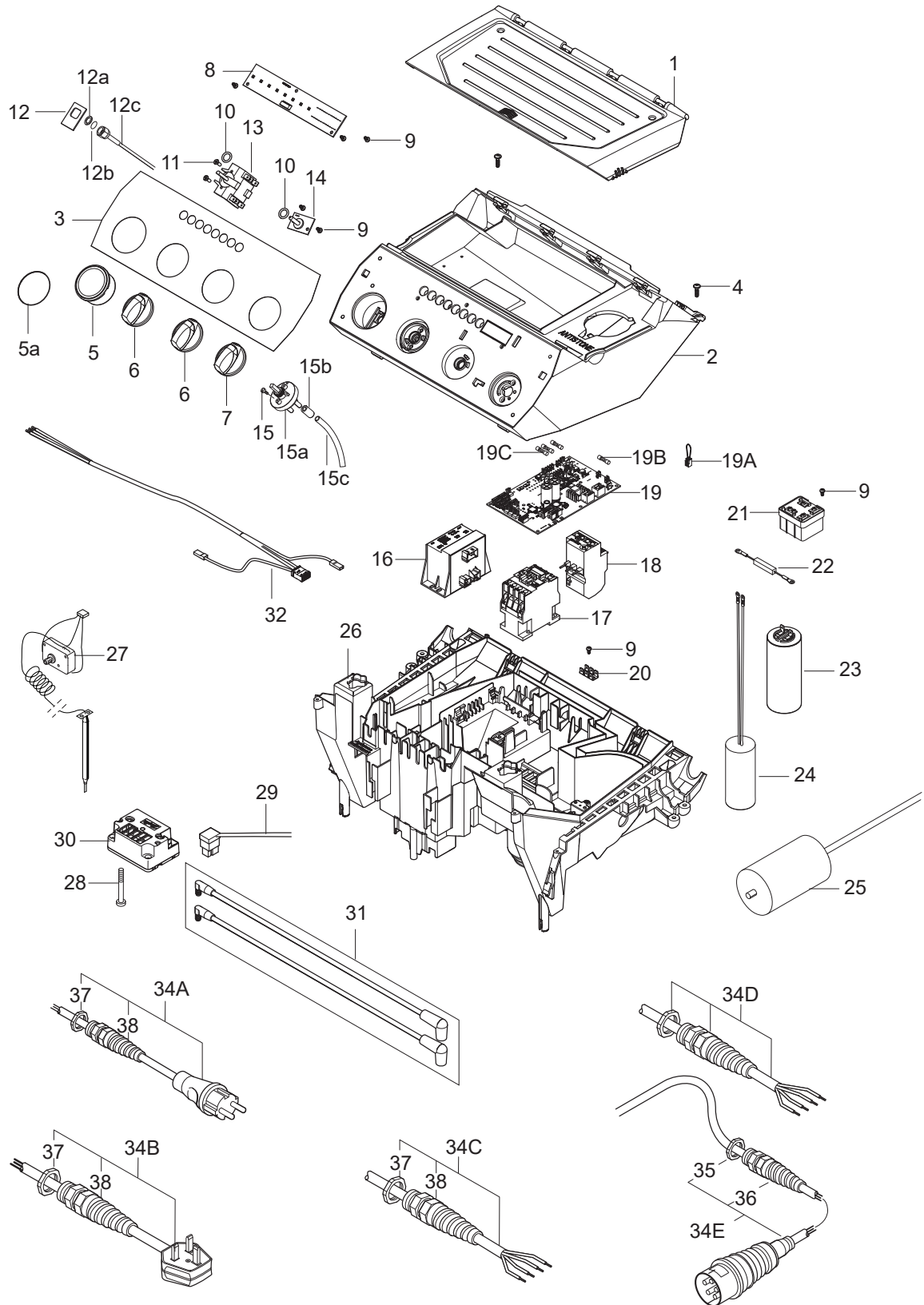
Pos.	Artikel-Nr.	Menge	Variante	Notes
1	1814730	2	Schraube 3,5x10	
2	301001000	1	Ventil	
3	301001133	8	Schlauchklemme 10/7	
4	106408243	1	HOSE 1/4INCH TRANSPARENT - 5 METERS	
5	107141664	2	Deckel	
6	107145440	2	Sieb Ventil Komplettsset	
7	80518	1	Behälter	



Pos.	Artikel-Nr.	Menge	Variante	Notes
1	45646	1	Deckel	
2	107143040	1	LEVELSENSOR BRACKET FOR ANTISCALE	
3	101118214	1	FLOAT SWITCH KIT	
4	107143041	1	ANTISCALE TANK CPL.	
5	31001036	1	O-RING 6X2 NBR 70SH	
6	107143037	1	DOSING VALVE RPE 24VAC	
7	107143036	1	HOSE FITTING D6X1/8 PA	
8	107318222	1	PUSH-ON KNOB 11MM/6MMD/WH	
9	107143042	1	LABEL FOR ANTISCALE	
10	101117780	1	PCB FOR POTENTIONMETER	
11	107143038	1	CABLE FOR ADJUSTMENT ANTI SCALE	
12	107142593	1	HOLDING WASHER PE	[1]

Part Notes:

- [1] - TSB-PPW-2016-017 Locking ring for oil level switch falling off



Pos.	Artikel-Nr.	Menge	Variante	Notes
1	107143046	1	TOOL BOX LID	
2	107143045	1	E-BOX TOP	
3	107143047	1	LABEL F. CONTR PANEL MEDIUM SPEC NILFISK	
3	107143049	1	LABEL F. CONTROL PANEL LOW SPEC NILFISK	[1]
4	107141838	2	SCHRAUBE K50X18 WN1451 SCHWARZ TORX 20	
5	107141648	1	MANOMETER 0-300 BAR	
5a	107143050	1	COVER FOR E-BOX (MANO-HOLE)	[1]
6	909100204	2	Drehknopf 6x5 blau	
7	909100214	1	Schalter GR 1 4 Kt	
8	107143044	1	PCBA UI LED	
9	909100046	5	Schraube 4x8	
10	9868	2	O-Ring 10x2,5	
11	18274	2	Senkschraube M4x12	
12	107141650	1	Halter	
12a	107141651	1	Scheibe DIN125-A13	
12b	31000508	1	O-RING NBR	
12c	102406647	1	Manometerrohr	
13	28877	1	Schalter	
14	101117780	1	PCB FOR POTENTIONMETER	
14	107143043	1	CABLE FOR TEMPERATURE ADJUSTMENT	[2]
15	1814730	2	Schraube 3,5x10	
15a	301001000	1	Ventil	
15b	301001906	1	Verschlusskappe	
15c	106408243	1	HOSE 1/4INCH TRANSPARENT - 5 METERS	
16	107143051	1	POWER TRANSFORMER 230/400V 2X24V	
16	107143064	1	POWER TRANSFORMER 220-240V/440-460V	
16	107143068	1	POWER TRANSFORMER 115 / 200V	
17	103822306	1	Schütz CJX2-D18-B7 24V	[3]
17	103822313	1	Schütz 100-C23KJ10	[4]
17	103822317	1	Schütz CJX2-D32-B7 24V	[5]
18	103822327	1	Thermorelais 12-18A	[6]
19	107143151	1	PCBA MH	[7]
19A	101221031	1	Jumper f. Servicerückstellung	
19B	31001190	1	FUSE 6.3A 5X20 MM 250V	
20	107307326	1	ERDUNGSANSCHLUSS 6 PIN	
21	107142761	1	START RELAY RVA4G0C	[8]
22	107141730	1	DISCHARGE RESISTOR 15KOHM/7W	
23	107141856	1	CAPACITOR 70UF 450V	[9]
24	107143182	1	CAPACITOR 70UF 450/500V RP-3	[10]
25	107141619	1	CAPACITOR 170MF	[11]
26	107143062	1	E-BOX BOTTOM	
27	101117723	1	Abgastemperaturüberwachung	
28	909100149	2	Ejotschraube K50x50 WN 14	
29	107143098	1	PRIMARY CABLE FOR IGNITION COIL	
30	101117759	1	Zündtransformator 220-240	[12]
31	101118220	1	2 X IGNITION CORDS KIT	
32	107143056	1	CABLE FOR POWER TRAF0 PRIM 230V	[13]
32	107143063	1	CABLE FOR POWER TRANSFORMER PRIM 400V	[14]
32	107143072	1	CABLE F. POWER TRANSFORMER PRIM 230/400	[15]
34A	101117809	1	Netzkabel H07RN CEE	[16]
34B	101117812	1	Netzkabel H07RN BS13	[17]
34C	101117811	1	Netzkabel H07RN 4G1,5	[18]
34C	107143099	1	POWER CORD 4X2.5MM2 X9M	[19]
34D	101118182	1	POWER CORD H07RN 4G2.5X6M GND 6.3X0.8 NO	[20]
34E	301000834	1	Anschlussleitung Europa	[21]
35	909100198	1	Schnur Befestigung	
36	909100020	1	Sechskantmutter M25x1,5 EN 50262 PA	
37	909100019	1	Sechskantmutter M20x1,5 EN 50262 PA	
38	909100043	1	Kabelverschraubung	

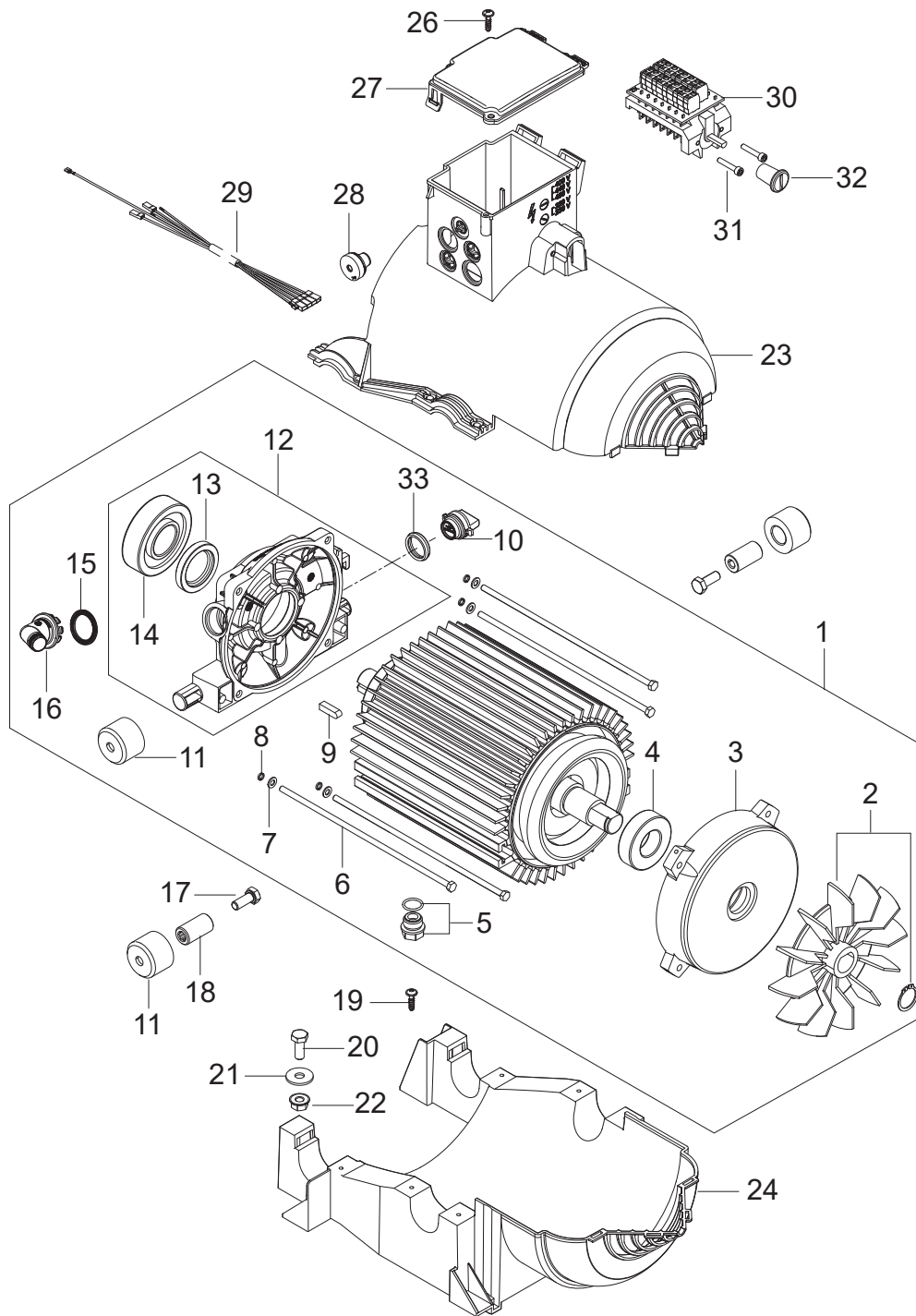
Part Notes:

- [1] - FAL
- [2] - This cable can be used for the item 14 (101117780)
- [3] - All MH3
MH4-100/680, MH4-130/720, MH4-180/860, MH4-200/960, MH4-210/1000, MH220/1000
- [4] - MH3-160/770 440-220V 3~ 60Hz (EXP)
MH4-200/960 400-230V 3~ 50Hz (NO)
- [5] - MH4-180/890 200V 3~ 50/60Hz (JP), MH4-200/960 440-220 3~ 60Hz (EXP)
- [6] - Only MH3
- [7] - TSB-PPW-2018-014 MH models Software update
DE TSB-PPW-2018-014 MH-Modele Software Update
- [8] - TSB-PPW-2018-003 MH_MC change of start relay and run capacitor
TSB-PPW-2018-003 MH_MC Changement du relais de démarrage et du condensateur de fonctionnement
- [9] - MH3: 1ph
- [10] - MH4: 1ph
TSB-PPW-2018-003 MH_MC change of start relay and run capacitor
- [11] - MH4: 1ph
- [12] - TSB-PPW-2018-004 Boiler cannot start - no ignition
FR TSB-PPW-2018-004 Le bruleur ne démarre plus
DE TSB-PPW-2018-004 Brenner startet nicht - keine Zündung
- [13] - MH3/MH4: 1~
- [14] - MH3/MH4: Star or Delta
- [15] - MH3/MH4: star/delta
- [16] - MH 4M-130/720 FA 230/1/50 EU
- [17] - MH 3M-100/600 PA 230/1/50 UK, MH 4M-100/680 PA 230/1/50 UK
- [18] - MH 3M-160/770 PA 440-220/3/60 EXPT
- [19] - MH 4M-180/890 FA 200/3/50 JP
- [20] - MH 4M-200/960 FAX 400-230/3/50 NO, EXP
- [21] - MH 4M-200/960 FA 400/3/50 EU, MH 4M-180/860 FAL 400/3/50 EU, MH 4M-210/1000 PAX 400/3/50 EU, MH 3M-160/770 PA 400/3/50 EU, MH 4M-220/1000 FAX 400/3/50 EU

Pos.	Artikel-Nr.	Menge	Variante	Notes
T1	107143052	2	CABLE FOR POWER TRANSFORMER SEC 6X0.75	
MT	107143070	1	CABLE FOR MT	[1]
MT	107143057	1	CABLE FOR RELAY	[2]
MT	107143081	1	CABLE FOR MT MH3	[3]
K1	107143052	1	CABLE FOR POWER TRANSFORMER SEC 6X0.75	
Exh	107143055	1	CABLE FOR HOT WATER MODE AND EXH. SWITCH	
B2	107143121	2	REED SWITCH NO W/CABLE	[4]
Y1	107143095	1	CABLE FOR SOLENOID VALVE 2X0.5	
Y2	107143037	1	DOSING VALVE RPE 24VAC	
5	31001037	1	SWITCHBOX ASSEMBLED WITH CABLE	[5]
5	101118188	1	MICRO-SWITCH KIT	[6]
B4	107143121	2	REED SWITCH NO W/CABLE	[7]
A3	107143043	1	CABLE FOR TEMPERATURE ADJUSTMENT	
B8	101118214	1	FLOAT SWITCH KIT	
A4	107143038	1	CABLE FOR ADJUSTMENT ANTI SCALE	
B9	107143033	1	LEVEL SENSOR FUEL TANK	[8]
B9	107143059	1	EHR-4 JUMPER	[9]
B6	101118173	1	OIL SENSOR W/PLUG KIT	[10]
B6	107143059	1	EHR-4 JUMPER	[9]
B7	107143100	1	FLAME SENSOR WITH CABLE	
S1	107143055	1	CABLE FOR HOT WATER MODE AND EXH. SWITCH	
B1	107143083	1	TEMPERATUR SENSOR PT100 W/CABLE	
A1	107143053	1	CABLE FOR UI	
A2	107143098	1	PRIMARY CABLE FOR IGNITION COIL	
M2	107143096	1	MOTOR BURNER - 0.23KW/230V/50HZ/1PH	[11]
M2	107143097	1	MOTOR BURNER 390W/200-240V/50/60HZ	[12]
10	107143054	1	WIRE BLACK L=400	[13]
10	107143058	1	WIRE 1.5MM2 BLACK	[2]
C3	101117867	1	Entstörglied	

Part Notes:

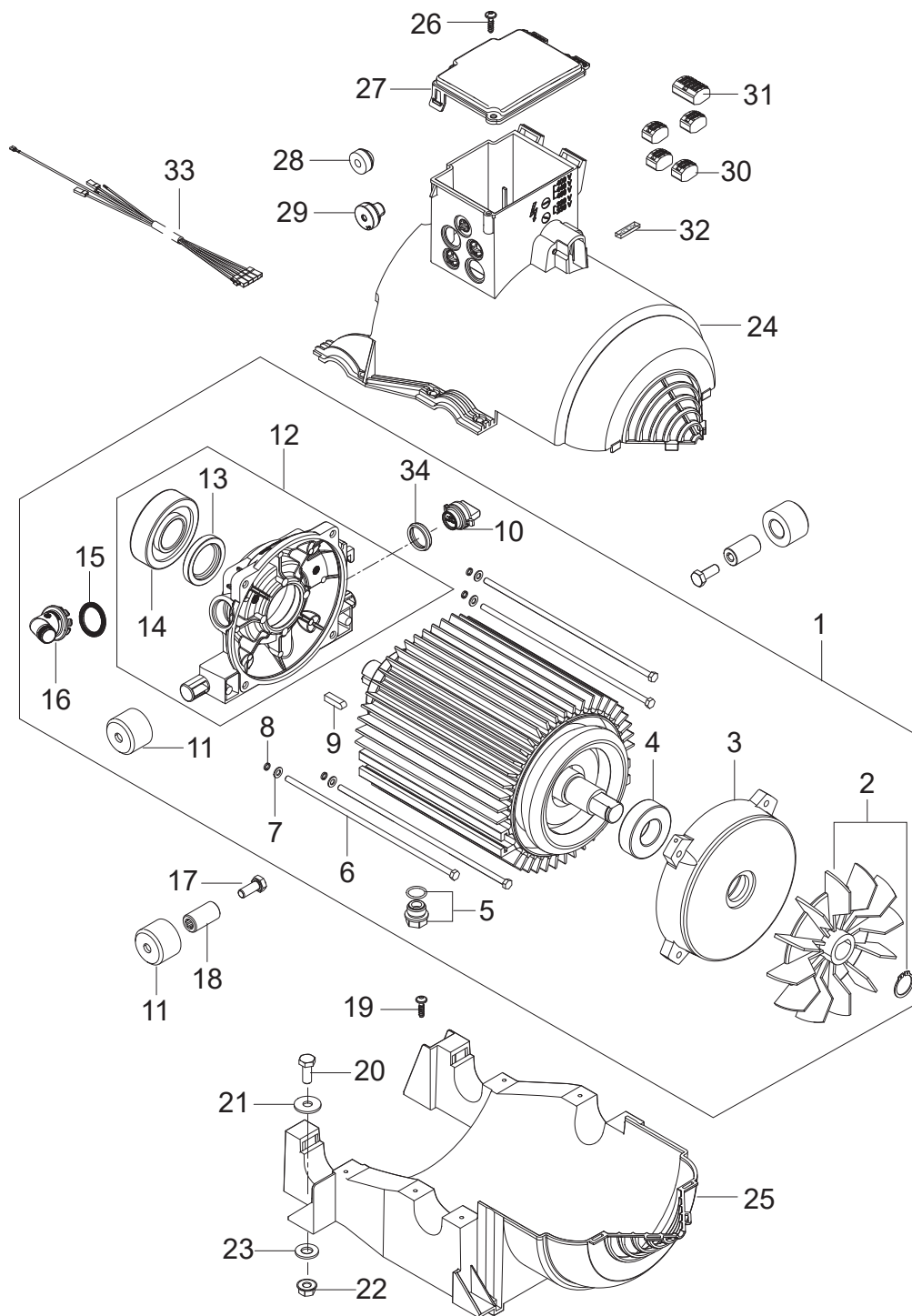
- [1] - MH4
- [2] - MH3 1~
- [3] - MH3 3~
- [4] - TSB-HPW-2025-003 Reed switch 107143121 torque and packaging
- [5] - MH3
- [6] - NA5 PA
- [7] - NA5 FA
TSB-HPW-2025-003 Reed switch 107143121 torque and packaging
- [8] - MH4+5+6+7
- [9] - MH3+MH4FAL
- [10] - MH4+5+6+7
- IS_107309166 _D Mounting Instructions for JST Connector 1+0
- [11] - All except MH4 JP+ MH4M-200 60Hz
- [12] - MH4 JP+ MH4M-200 60Hz
- [13] - All except MH3 1~



Pos.	Artikel-Nr.	Menge	Variante	Notes
0	31001082	1	OIL ROTRA MP 80W-90 1L	
1	31001006	1	MOTOR NA4 - 2.2KW/230V/50HZ/1PH	
1	31001010	1	MOTOR NA4 - 2.8KW/230/400V/50HZ/3PH	
2	107145038	1	FAN INCL. SEAL V-RING	
3	107145037	1	N-BEARING COVER	
4	301003080	1	Lager 6205 ZZ	
5	31001038	1	PLUG FOR OIL DRAIN W/O O-RING	
6	31000916	4	STAY BOLT M5X210	
6	31000917	4	STAY BOLT M5X230	
7	31000918	4	WASHER D5.5XD10 GB/T97.1 ISO7089	
8	31000919	4	LOCK RING D5.1XD7.7 GB/T93 DIN127	
9	101814798	1	Passfeder	
10	31001039	1	OIL PLUG FOR NA3 AND NA4	
11	107142545	4	SUSPENSION D35 X D17 X L25	
12	31000926	1	D-BEARING COVER P3 INCL SEAL AND BEARING	
13	301003078	1	Wellendichtring	
14	31001028	1	BEARING 7306	
15	31000921	1	SEAL ID 23.4XOD 31 D 2/3.5	
16	31000922	1	CABLE GLAND 23.5 SNAPON 110 DEG	
17	2753	2	Sechskantschraube M8x 20 ISO 4017 zn	
18	107142544	2	NUT M8 X D17 X L31 INT. HEX 8	
19	107141838	2	SCHRAUBE K50X18 WN1451 SCHWARZ TORX 20	
20	2753	2	Sechskantschraube M8x 20 ISO 4017 zn	
21	2793	2	Scheibe 8,4x2,0 A ISO 7093-1 zn	
22	61467	2	Sechskantmutter M8 TENS	
23	107143077	1	COVER FOR MOTOR MH3	
24	107143167	1	BASE FOR MPU MH3	
26	107141838	7	SCHRAUBE K50X18 WN1451 SCHWARZ TORX 20	
27	301000782	1	Deckel	
28	3803764	1	Stopfbuchse TET 5-7C	
29	107143079	1	MOTOR CABLE 5G1.5 FOR 1~ MH3	
29	107143080	1	MOTOR CABLE 5G1.5 FOR 3~ MH3	
30	107143073	1	PCB SWITCH STAR/DELTA	
31	101117739	2	Flachkopfschraube	
32	64580	1	Drehknopf	[1]
33	107142589	1	SEAL ID 16.7XOD 21.2XW 5 NBR 70 SHORE A	

Part Notes:

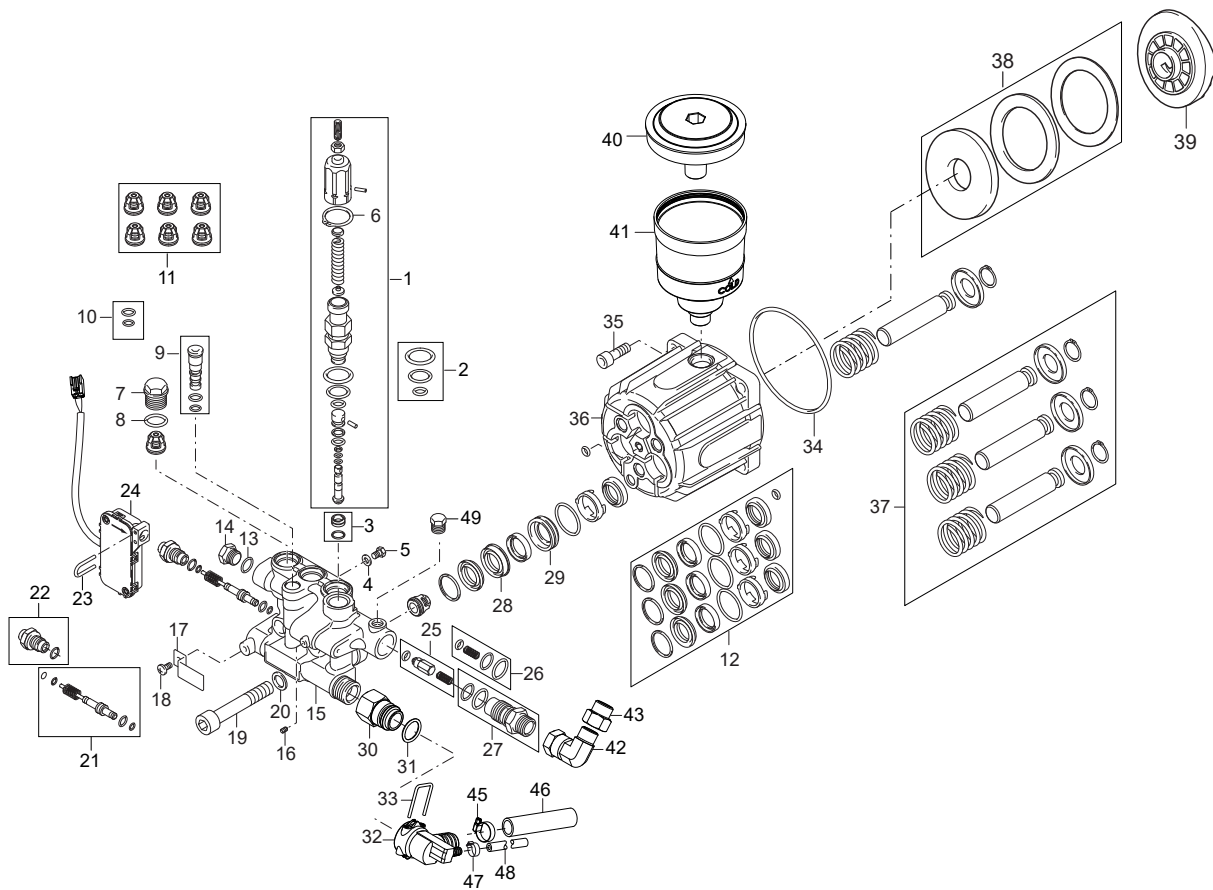
- [1] - TSB-PPW-2016-007 Rotary knob for Voltage selector switch 230V-400V must be sealed with lacquer



Pos.	Artikel-Nr.	Menge	Variante	Notes
0	31001082	1	OIL ROTRA MP 80W-90 1L	[1]
1	31001006	1	MOTOR NA4 - 2.2KW/230V/50HZ/1PH	
1	31001010	1	MOTOR NA4 - 2.8KW/230/400V/50HZ/3PH	
2	107145038	1	FAN INCL. SEAL V-RING	
3	107145037	1	N-BEARING COVER	
4	301003080	1	Lager 6205 ZZ	
5	31001038	1	PLUG FOR OIL DRAIN W/O O-RING	
6	31000916	4	STAY BOLT M5X210	
7	31000918	4	WASHER D5.5XD10 GB/T97.1 ISO7089	
8	31000919	4	LOCK RING D5.1XD7.7 GB/T93 DIN127	
9	101814798	1	Passfeder	
10	31001039	1	OIL PLUG FOR NA3 AND NA4	
11	107142545	4	SUSPENSION D35 X D17 X L25	
12	31000926	1	D-BEARING COVER P3 INCL SEAL AND BEARING	
13	301003078	1	Wellendichtring	
14	31001028	1	BEARING 7306	
15	31000921	1	SEAL ID 23.4XOD 31 D 2/3.5	
16	31000922	1	CABLE GLAND 23.5 SNAPON 110 DEG	
17	2753	2	Sechskantschraube M8x 20 ISO 4017 zn	
18	107142544	2	NUT M8 X D17 X L31 INT. HEX 8	
19	107141838	2	SCHRAUBE K50X18 WN1451 SCHWARZ TORX 20	
20	2753	2	Sechskantschraube M8x 20 ISO 4017 zn	
21	2793	2	Scheibe 8,4x2,0 A ISO 7093-1 zn	
22	1800515	2	Sicherungsmutter M8	
23	1800796	2	Scheibe 8,4	
24	107143077	1	COVER FOR MOTOR MH3	
25	107143167	1	BASE FOR MPU MH3	
26	107141838	7	SCHRAUBE K50X18 WN1451 SCHWARZ TORX 20	
27	301000782	1	Deckel	
28	3803764	1	Stopfbuchse TET 5-7C	
29	3803772	1	Tülle	
30	107143069	4	SNAP TERMINAL 2 POL	[2]
31	301002165	1	Anschlussklemmenkäfig	[2]
32	101118036	1	4 MALE TAB INSULATED	[3]
33	107143079	1	MOTOR CABLE 5G1.5 FOR 1~ MH3	
33	107143080	1	MOTOR CABLE 5G1.5 FOR 3~ MH3	
34	107142589	1	SEAL ID 16.7XOD 21.2XW 5 NBR 70 SHORE A	

Part Notes:

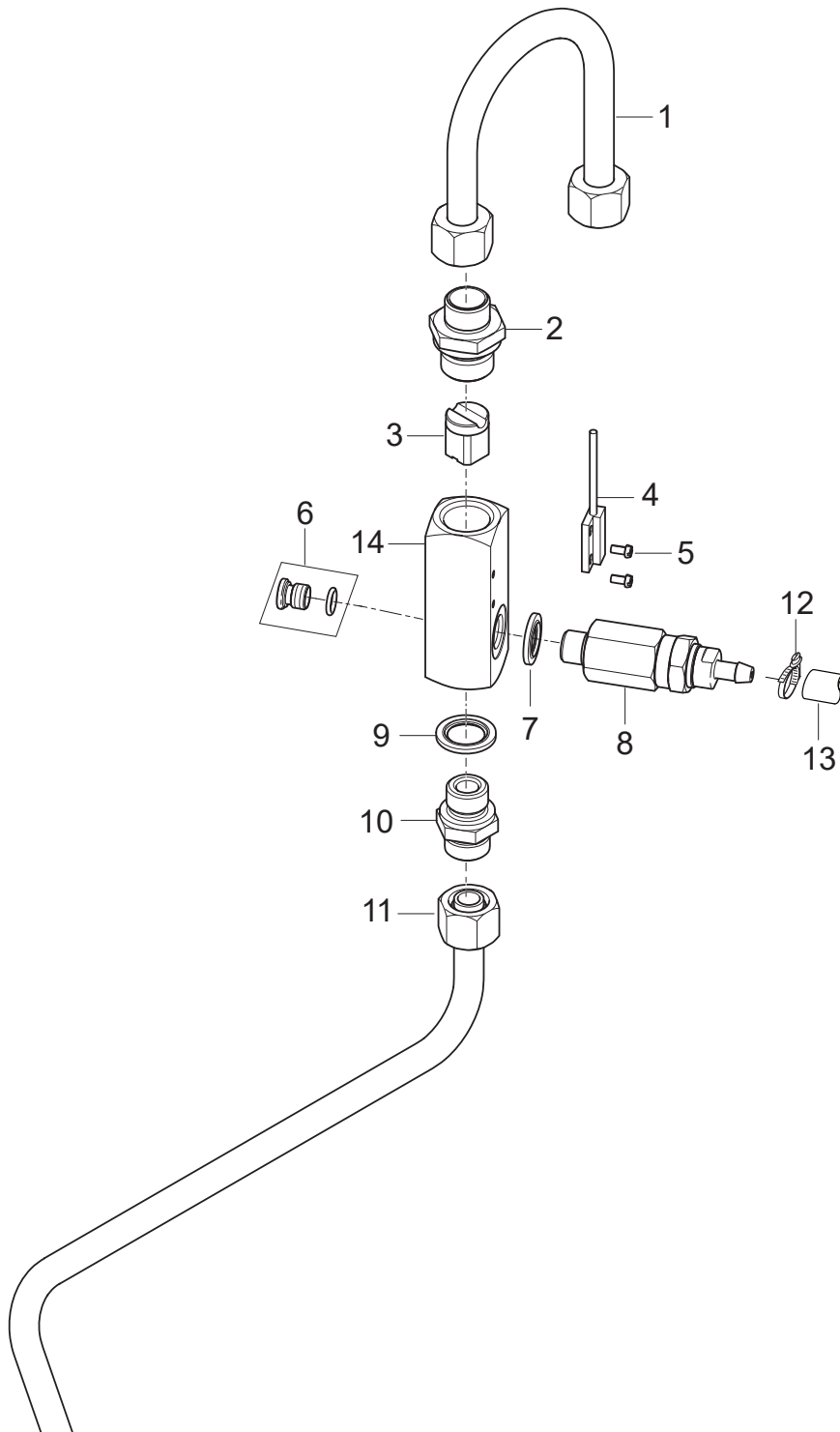
- [1] - TSB-PPW-2016-016 MC 3C_MC 4M_MH 3M Pump oil no stock
[2] - Only 3 ph
[3] - GUARANTEE DATE EXPIRED



Pos.	Artikel-Nr.	Menge	Variante	Notes
1	31000978	1	REGULATION SAFETY BLOCK	
2	301003032	1	Dichtungssatz	
3	301003033	1	Ventilsitzring	
4	31000944	1	WASHER	
5	301003035	1	Verschlussschraube	
6	101117994	1	RETAINER RING Ø23 DIN 471	
7	301003039	1	Verschlussschraube	
8	301003040	1	O-Ring 15,6X1,78	
9	301003073	1	Verschlussschraube	
10	301003160	2	O-RING Satz	
11	31000576	1	VALVE KIT 6 PCS	
12	301003042	1	Dichtungssatz Kolben	[1]
13	301003043	1	O-Ring 10,82X1,78 820510	
14	301003044	1	Verschlussschraube	
15	301003045	1	Ventilblock	
16	301003046	1	Verschlussschraube	
17	301003047	1	Halter	
18	301003048	1	Schraube	
19	301003049	1	SCREW M12X70 UNI 5931	
20	301003050	1	Zahnscheibe Ø12	
21	31001329	1	PISTON KIT FOR MICROSWITCH	
22	31000940	1	FITTING KIT FOR MICROSWITCH	
23	301003053	1	Bügel	
24	31001037	1	SWITCHBOX ASSEMBLED WITH CABLE	
25	31000988	1	INJECTOR	
26	31000989	1	O-RING KIT FOR INJECTOR	
27	31000990	1	INJECTOR KIT	
28	301001559	1	Buchse	
29	301003059	1	Kolbenführung	
30	107143091	1	WATER INLET NA4	
31	107143088	1	O-RING 18.72X2.62	
32	107143092	1	WATER LIMITER (SMALL)	
33	107143085	1	LOCK PIN	
34	31000973	1	O-RING D 94.92x2.62	
35	301003063	1	Schraube 5x25	
36	31000972	1	PUMP BODY	
37	31000992	1	PISTON KIT D18	
38	31000993	1	BEARING KIT 1MM	
39	301003137	1	Taumelscheibe 11°	[2]
39	301003139	1	Taumelscheibe 13°	[3]
40	301000615	1	Deckel	
41	301000614	1	Öltank	
42	107143093	1	SWIVEL ADAPTER 90 3/8	
43	107143090	1	ADAPTOR IN 3/8 OUT M18X1.5	
45	8298	2	Schlauchschelle SGL 16-27	
46	107143031	1	FUELFLEX HOSE D28/D20 10BAR/20°	
47	11654	2	Schlauchklemme 11,5	
48	106408243	1	HOSE 1/4INCH TRANSPARENT - 5 METERS	
49	G030733	1	HOLE PLUG. 1/8	

Part Notes:

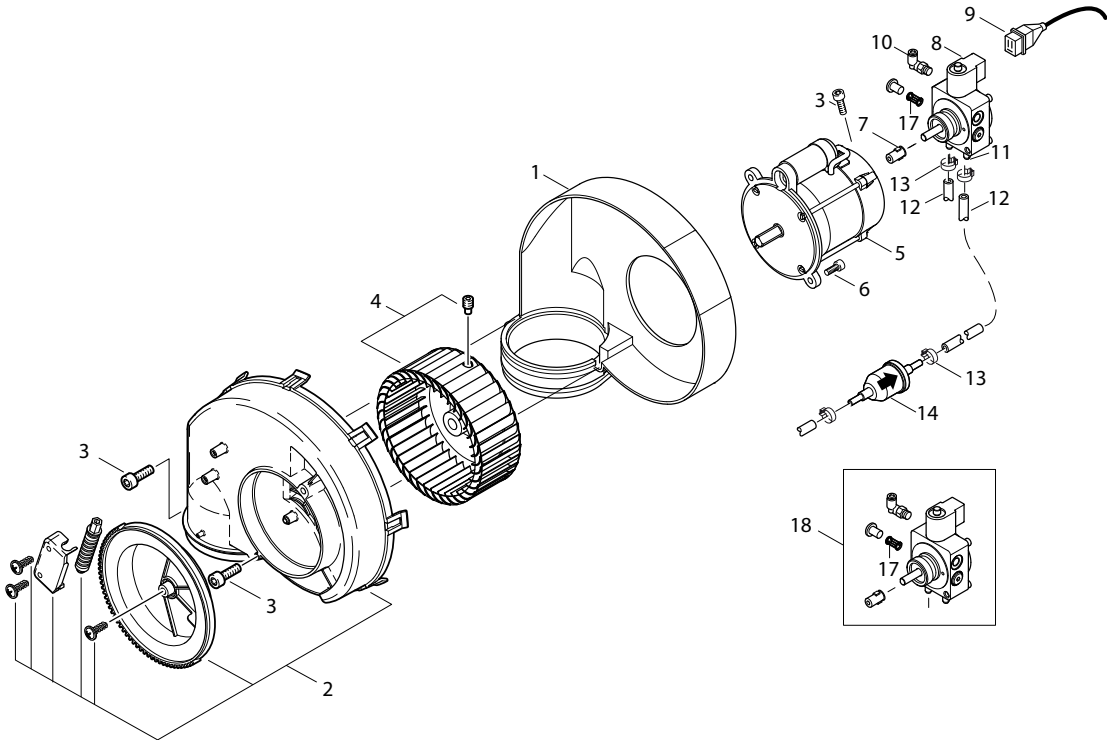
- [1] - TSB-PPW-2019-001 MC 4M MH 3M SC UNO 4M Pump oil leakage
 DE TSB-PPW-2019-001 MC 4M MH 3M SC UNO 4M Pumpenölverlust
 TSB-PPW-2019-001 Fuite d'huile pompe NA4
- [2] - MH 3M-160/770 PA 440-220/3/60
- [3] - MH 3M-160/770 PA 400/3/50



Pos.	Artikel-Nr.	Menge	Variante	Notes
1	107143115	1	PIPE FLOW CONTROL PA/BOILER B2-B2.5	
2	107143122	1	THREADED CONNECTION D12X1/2 INCH	
3	101117798	1	Magnetgehäuse komplett	
4	107143121	1	REED SWITCH NO W/CABLE	[1]
5	101118033	2	SCREW M3X6 BRASS	
6	101117924	1	Stopfen für MPU 1/8	
7	1803493	1	Dichtungsscheibe	
8	101118290	1	OPENING PRESSURE VALVE 146 BAR KIT	
8	101118291	1	OPENING PRESSURE VALVE 200 BAR KIT	
9	1801075	1	Dichtring	
10	1601079	1	Verbindungsstück	
11	107143118	1	PIPE MPU/FLOW CONTROL NA4 PA	[2]
11	107143119	1	PIPE MPU/FLOW CONTROL NA5-PA/B2-B2.5	
12	11654	2	Schlauchklemme 11,5	
13	101406100	1	Schlauch 6x3 mm x 5 m	
14	101118306	1	FLOW CONTROL HOUSING PA	

Part Notes:

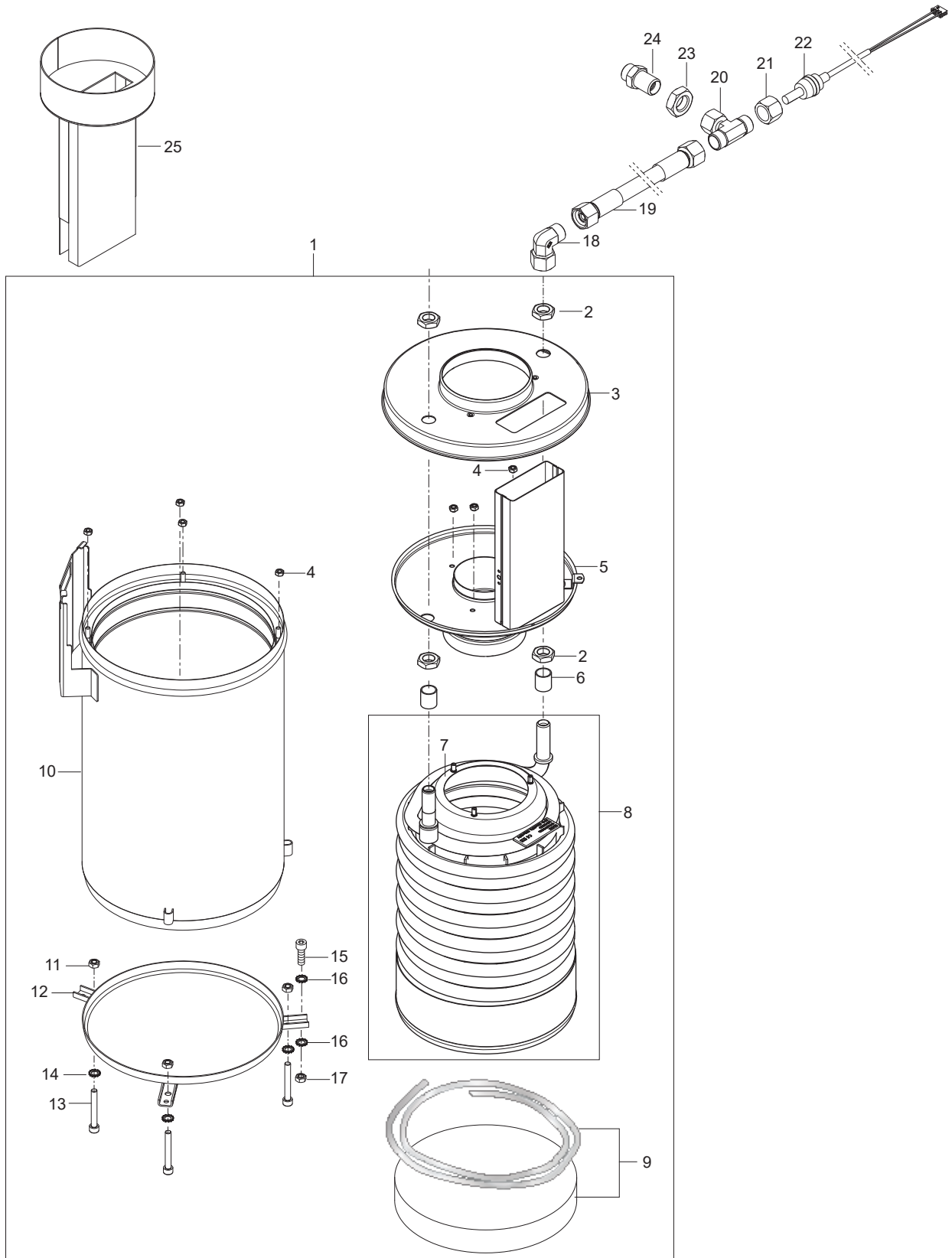
- [1] - TSB-HPW-2025-003 Reed switch 107143121 torque and packaging
 [2] - MH 3M-100/600 PA, MH 3M-140/580 PA, MH 3M-160/770 PA



Pos.	Artikel-Nr.	Menge	Variante	Notes
1	301000495	1	Lüftergehäuse	
2	301000852	1	Abdeckung	
3	32535	3	Zylinderschraube M5x16	
4	301000889	1	Lüfterrad	
4	301002126	1	Lüfterrad	[1]
5	107143179	1	MOTOR BURNER 350W/110-120V/50/60HZ	[2]
5	107143096	1	MOTOR BURNER - 0.23KW/230V/50HZ/1PH	
5	107143097	1	MOTOR BURNER 390W/200-240V/50/60HZ	[1]
6	4697	2	Zylinderschraube M6x16	
7	101117707	1	Verbindungskupplung	
8	3821089	1	Spule m. Mutter und Scheibe	
9	107143095	1	CABLE FOR SOLENOID VALVE 2X0.5	
10	101117706	1	Winkelverschraubung	
11	101117777	1	Schlauchverbindung zur Öl	
12	106408244	1	HOSE D6X2.5 - 5 METERS	
13	301001133	2	Schlauchklemme 10/7	
14	301002926	1	Filter 101X36.5X6 KU	
17	31001081	1	FILTER FOR OIL PUMP	
18	101117673	1	Ölpumpe komplett	

Part Notes:

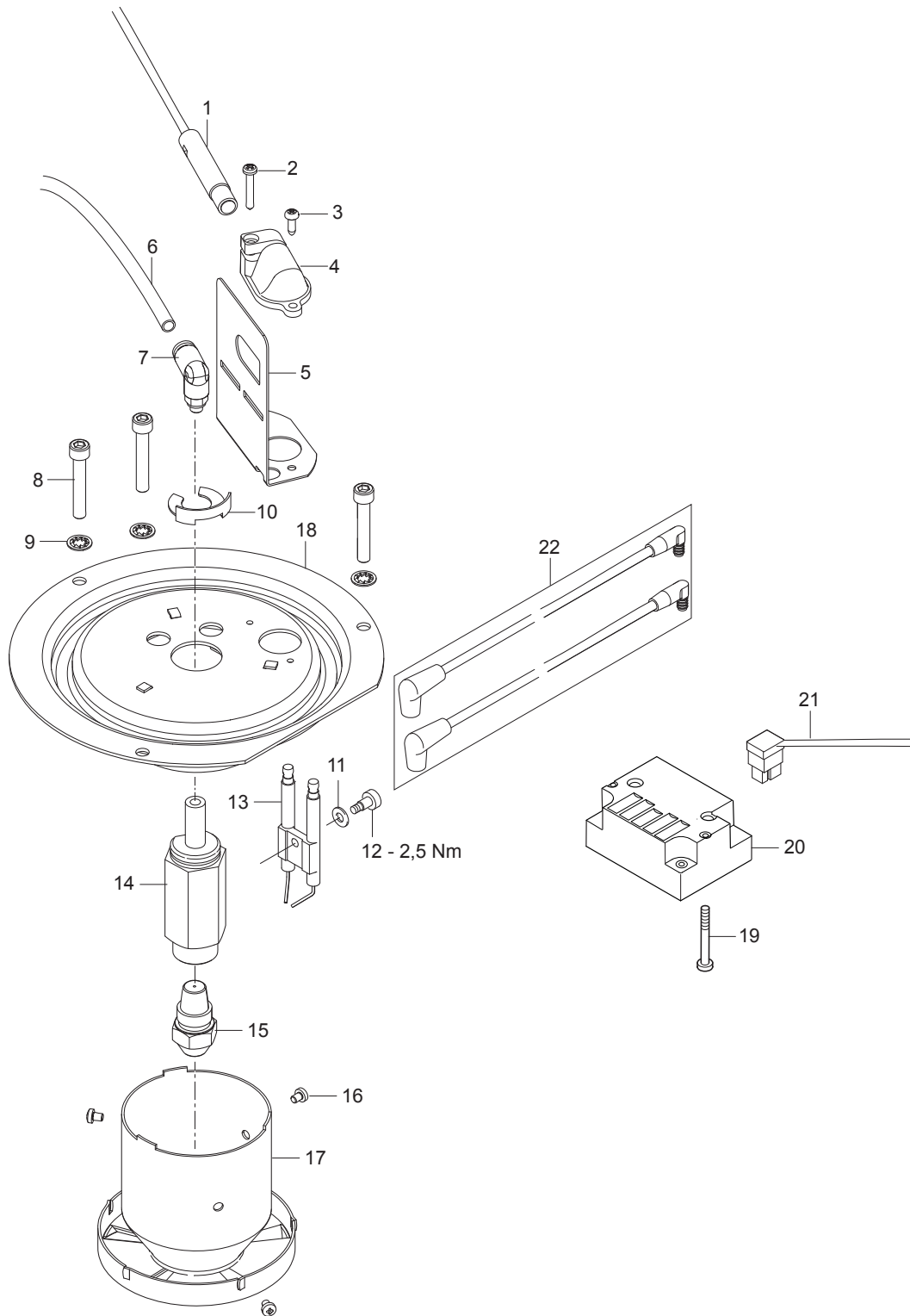
- [1] - JP, EXPT
 [2] - MH 3C



Pos.	Artikel-Nr.	Menge	Variante	Notes
1	107143104	1	HEAT EXCHANGER B2, MH	
1	107143106	1	HEAT EXCHANGER B2 SS, MH	[1]
2	7012	4	Mutter 6kt M18x1,5	
3	101117768	1	Brennerdeckel au en	
4	12263	4	Sechskantmutter M6	
5	31001045	1	INSIDE BOILER TOP B2	
6	301000582	2	Hülse	
7	31000527	1	Abschirmkegel FÜR KESSEL	
8	31001046	1	COIL WELDED B2	
8	107143303	1	COIL B2 SS, MH	[2]
9	101117684	1	Isolation kit Neptune 2	
10	31001047	1	BOILER JACKET B2	
11	2758	3	Sechskantmutter M8 DIN 934 zn	
12	31001044	1	BOTTOM PLATE WELDED B2/2.5	
13	3453	3	Sechskantschraube M8x60	
14	1810274	3	Fächerscheibe 8,2 -J- DIN 6798 VA	
15	4697	3	Zylinderschraube M6x16	
16	107143146	6	WASHER SERRATED M6	
17	11619	3	Sechskantmutter M6 ISO7042 A2K	
18	101118094	1	Kupplungssatz 90D ISO	
19	107143067	1	HP HOSE 5/16 DN8 BLACK W/2X DKL	
20	101118093	1	Verbindungsstück	
21	1081	1	Überwurfmutter DIN 3870-A L 12 St/zn	
22	107143083	1	TEMPERATUR SENSOR PT100 W/CABLE	
23	1803220	1	Mutter M18x1,5 I	
24	107143082	1	OUTLET FITTING	
25	106403197	1	CHIMNEY ADAPTOR B2/B2.5 ACCESSORY	

Part Notes:

- [1] - NO LONGER AVAILABLE
- [2] - TSB-PPW-2017-011 Stainless Steel heat exchangers new stay material and new spare part numbers



Pos.	Artikel-Nr.	Menge	Variante	Notes
1	107143100	1	FLAME SENSOR WITH CABLE	
2	5606	1	Blehschraube 2,9x19	
3	4036	1	Blehschraube 2,9x9,5	
4	301000934	1	Halter	
5	107143101	1	SHIELD FOR FLAME SENSOR	
6	909100141	1	Brennstoffleitung 4x1 mm x 1 m	
7	101117913	1	Winkelverschraubung	
8	3873	3	Schraube M5x30	
9	3376	3	Fächerscheibe 5,3 -A- DIN 6798 VA	
10	101117876	1	Sicherungsring	
11	909100144	1	Federscheibe B5	
12	909100143	1	Schraube M4x4,5	
13	301150009	1	Elektrode	
14	101117915	1	Düsenstock	
15	2802712	1	ÖLDÜSE H 1,00 GAL/H 3,72 KG/H 60 GRAD	[1]
16	51848	3	Linsenschraube M3x 4 DIN 7985 zn	
17	101117758	1	Stauscheibe	
18	101117757	1	Abdeckung Brenner komplet	
19	909100149	2	Ejotschraube K50x50 WN 14	
20	101117759	1	Zündtransformator 220-240	[2]
21	107143098	1	PRIMARY CABLE FOR IGNITION COIL	
22	101118220	1	2 X IGNITION CORDS KIT	

Part Notes:

- [1] - 55kW
 MH 3C: Machine no. 107146890, 107146891, 107146892, 107146893
 MH 3M: Machine no. 107146901, 107146903, 107146905
 MH 4M: Machine no. 107146915, 107146933
- [2] - TSB-PPW-2018-004 Boiler cannot start - no ignition
 FR TSB-PPW-2018-004 Le bruleur ne démarre plus
 DE TSB-PPW-2018-004 Brenner startet nicht - keine Zündung

**No
Diagram
Available**

**Parts List
Only**

Pos.	Artikel-Nr.	Menge	Variante	Notes
C	107145780	1	RADKAPPE FUER RAD Ø300X65	
C	46363	1	Klemmscheibe	
C	107145637	1	RAD D300X65 (STARCO)	
C	107143304	1	Rad D250 mit Abdeckung	
B	106408244	1	HOSE D6X2.5 - 5 METERS	
A	301002926	1	Filter 101X36.5X6 KU	
A	107143630	1	INLINE FUEL FILTER SPT	
A	101117784	1	Schwimmerventil	
A	34218	1	Filter Ø19 KU	
C	31000993	1	BEARING KIT 1MM	
C	301003137	1	Taumelscheibe 11°	
C	301003139	1	Taumelscheibe 13°	
B	301003078	1	Wellendichtring	
C	107145038	1	FAN INCL. SEAL V-RING	
C	31001006	1	MOTOR NA4 - 2.2KW/230V/50HZ/1PH	
C	31001010	1	MOTOR NA4 - 2.8KW/230/400V/50HZ/3PH	
A	31000576	1	VALVE KIT 6 PCS	
A	31000978	1	REGULATION SAFETY BLOCK	
A	31001037	1	SWITCHBOX ASSEMBLED WITH CABLE	
A	31000986	1	PISTON KIT FOR MICROSWITCH	
A	31000987	1	FITTING KIT FOR MICROSWITCH	
A	31000988	1	INJECTOR	
A	31000989	1	O-RING KIT FOR INJECTOR	
A	301003032	1	Dichtungssatz	
A	301003042	1	Dichtungssatz Kolben	
A	31000992	1	PISTON KIT D18	
A	107143088	1	O-RING 18.72X2.62	
A	101117798	1	Magnetgehäuse komplett	
A	107143121	1	REED SWITCH NO W/CABLE	[1]
B	101118290	1	OPENING PRESSURE VALVE 146 BAR KIT	
B	101118291	1	OPENING PRESSURE VALVE 200 BAR KIT	
B	101118292	1	OPENING PRESSURE VALVE 250 BAR KIT	
A	31001100	1	FILTER CARTRIDGE WITHOUT FLANGE	
C	107143044	1	PCBA UI LED	
C	28877	1	Schalter	
A	107143151	1	PCBA MH	
C	107143051	1	POWER TRANSFORMER 230/400V 2X24V	
C	107143064	1	POWER TRANSFORMER 220-240V/440-460V	
C	107143068	1	POWER TRANSFORMER 115 / 200V	
B	107307326	1	ERDUNGSANSCHLUSS 6 PIN	
B	103822313	1	Schütz 100-C23KJ10	
B	103822316	1	Schütz CJX2-D32-F7 110V	
B	103822327	1	Thermorelais 12-18A	
B	107142761	1	START RELAY RVA4G0C	
C	107141619	1	CAPACITOR 170MF	
C	107143182	1	CAPACITOR 70UF 450/500V RP-3	
C	107141856	1	CAPACITOR 70UF 450V	
C	107143098	1	PRIMARY CABLE FOR IGNITION COIL	
C	101118220	1	2 X IGNITION CORDS KIT	
B	107143100	1	FLAME SENSOR WITH CABLE	
A	301002856	1	ÖLDÜSE H 0,75 GAL/H 2,94 KG/H 60 GRAD	
A	2802712	1	ÖLDÜSE H 1,00 GAL/H 3,72 KG/H 60 GRAD	
A	61659	1	ÖLDÜSE H 1,25 GAL/H 4,71 KG/H 60 GRAD	
C	101117723	1	Abgastemperaturüberwachung	
A	101117684	1	Isolation kit Neptune 2	
A	101117673	1	Ölpumpe komplett	
B	3821089	1	Spule m. Mutter und Scheibe	
B	107143095	1	CABLE FOR SOLENOID VALVE 2X0.5	
A	107143123	1	SWIVEL FOR HOSE REEL	

Recommended spare parts

MH 3M-160/770

2023.11.23

2024.03.29

Pos.	Artikel-Nr.	Menge	Variante	Notes
A	62696	1	Sechskantmutter M24x1,5x	
A	107143017	1	BACK-UP RING	
A	19620	1	O-Ring 15,54x2,62	
A	1802057	1	Seegerring U 20 x1,2	

Part Notes:

[1] - TSB-HPW-2025-003 Reed switch 107143121 torque and packaging

