

PARTS LIST

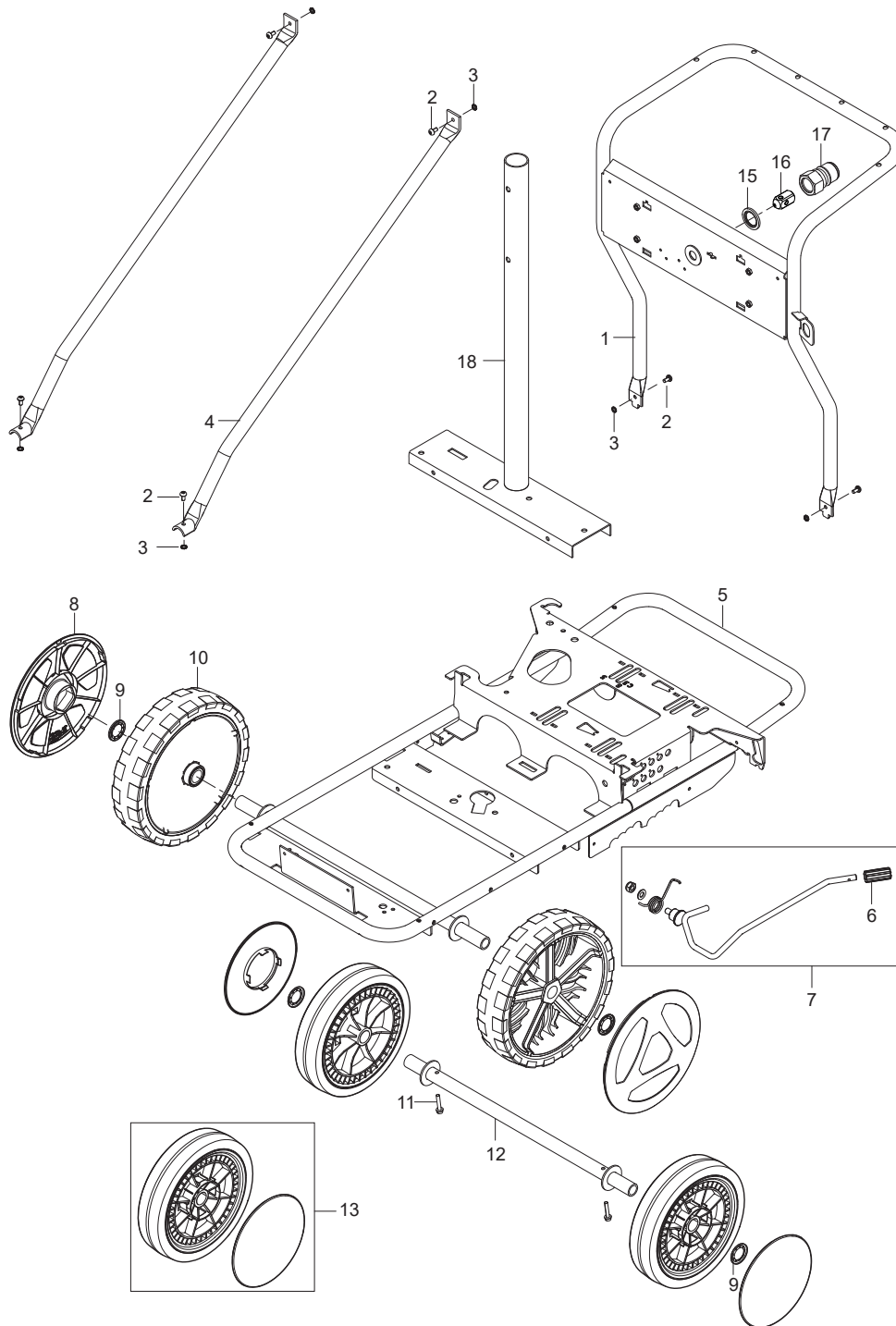


2026.01.16

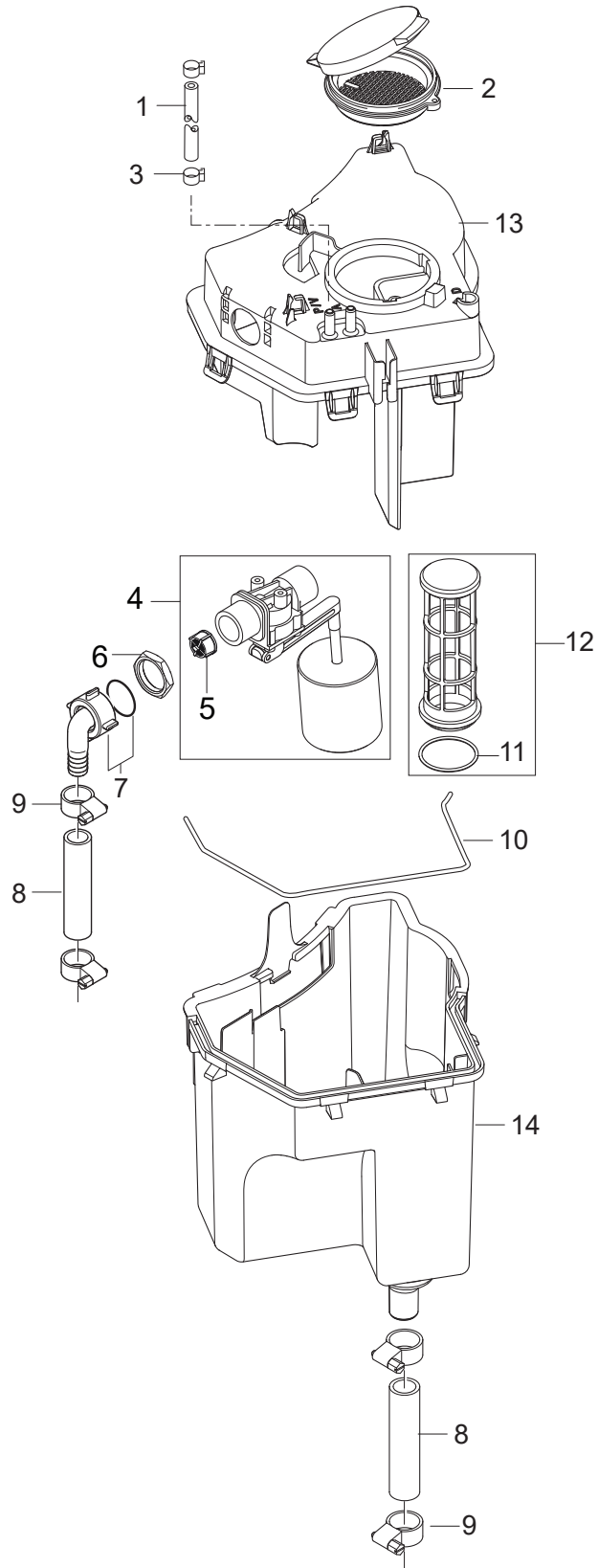
NILFISK

TABLE OF CONTENTS

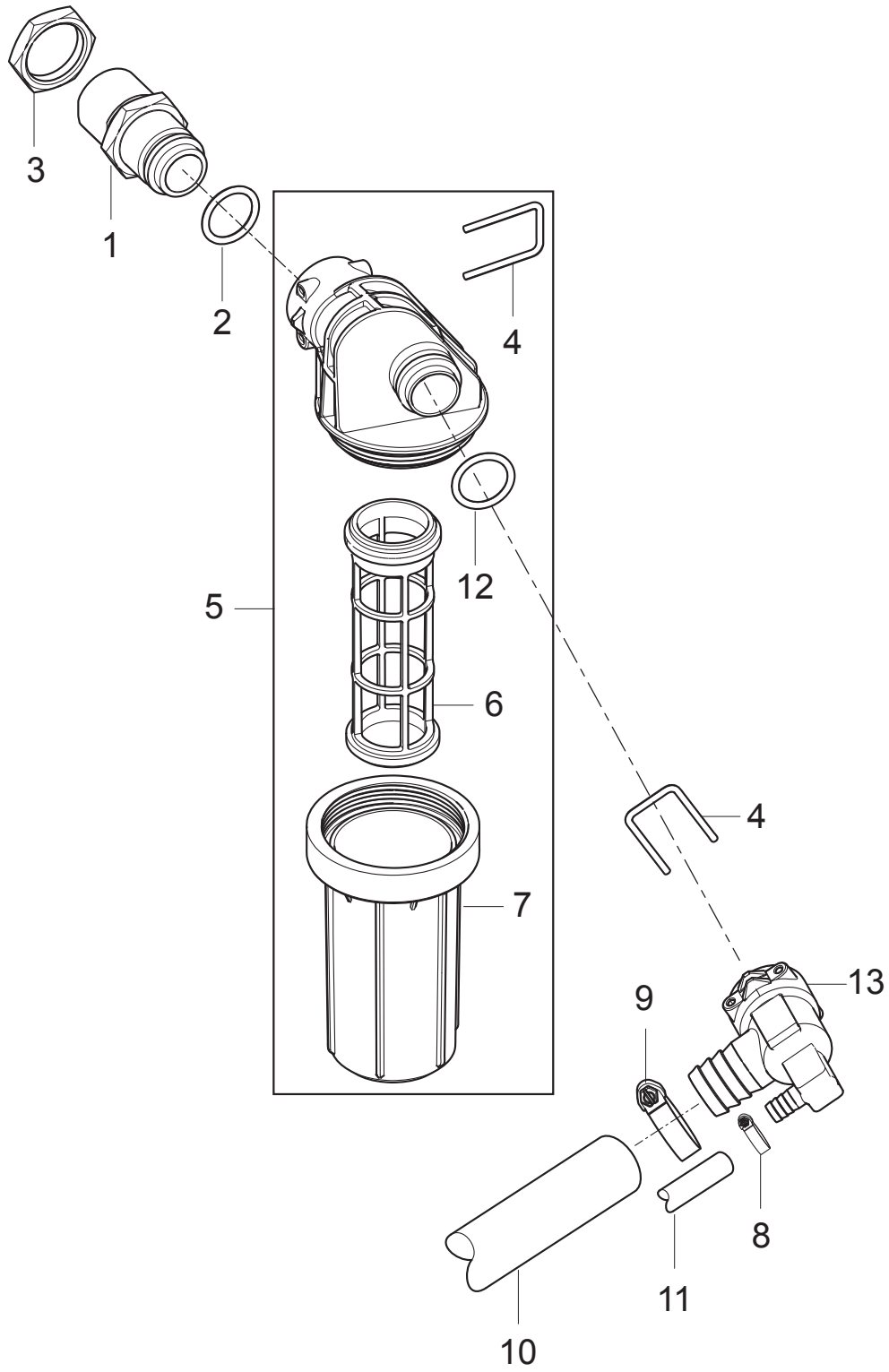
Chassis large	1
Water break tank	3
Water inlet_FA	5
Cabinet	7
Hose reel	9
Fuel tank 30L	11
Anti-scale	13
1x detergent	15
Electric box for motor Star/Delta	17
Electric box for motor 1~,3~ STAR and 3~ DELTA	19
Electric box	21
Cables and wires	24
Motor	26
Cylinder block	28
Burner	30
Flow control w. hose connection	32
Fan	34
Water flow regulation	36
Boiler B7	38
Flow control FA	40
Default accessories	42



Pos.	Artikel-Nr.	Menge	Variante	Notes
1	31001157	1	FRAME HANDLE	
2	107143018	6	SCREW M6X16	
3	107143146	6	WASHER SERRATED M6	
4	31001158	2	HANDLE STIFFENER LONG	
5	31001159	1	FRAME LARGE WELDED	
6	107143028	1	BRAKE KNOB	
7	101118229	1	BRAKE ARM LONG KIT	
8	107145780	2	RADKAPPE FUER RAD Ø300X65	
9	46363	4	Klemmscheibe	
10	107145637	2	RAD D300X65 (STARCO)	
11	107143027	2	SCREW M6X35 SW10 DIN7500D FZB	
12	31001160	1	WHEEL AXLE REAR	
13	107143304	2	Rad D250 mit Abdeckung	
15	1801075	1	Dichtring	
16	107143066	1	PISTON	
17	1600493	1	Anschlussstück	
18	31001161	1	BOILER TUBE W. BRACKET LARGE	



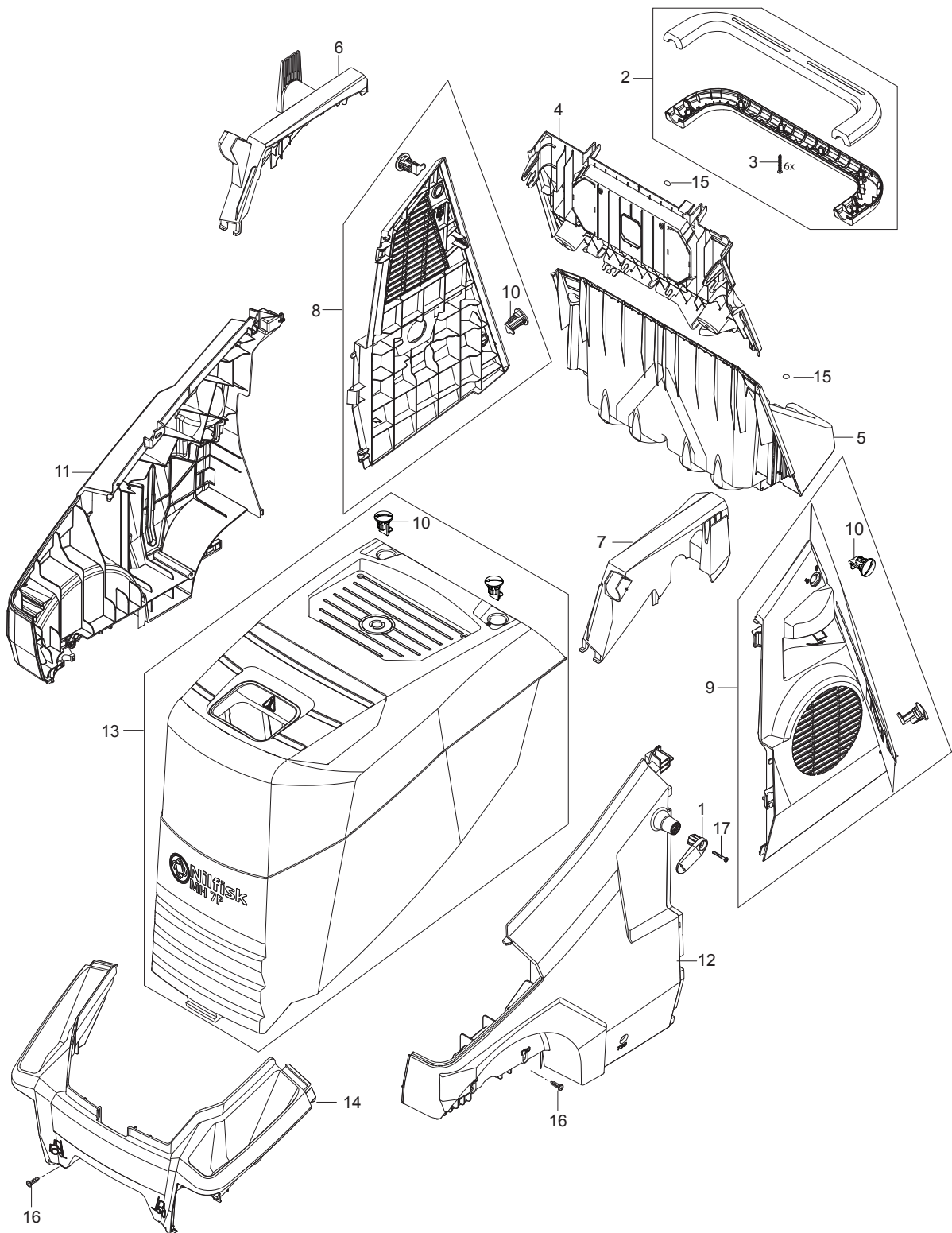
Pos.	Artikel-Nr.	Menge	Variante	Notes
1	101406100	1	Schlauch 6x3 mm x 5 m	
2	301000561	1	Deckel RP-Behälter	
3	301001133	2	Schlauchklemme 10/7	
4	101117784	1	Schwimmventil	
5	34218	1	Filter Ø19 KU	
6	1800341	1	Gegenmutter 3/4	
7	107143084	1	HOSE COUPLING 90° 20X3/4 PP W/NUT/GASKET	
8	107143031	1	FUELFLEX HOSE D28/D20 10BAR/20°	
9	8298	4	Schlauchschele SGL 16-27	
10	101406054	1	Dichtung	
11	107143032	1	O-RING D30X2 SHORE70 NBR BLACK	
12	106403194	1	FILTER FOR WATER BREAK TANK ACCESS	
13	107143060	1	COVER FOR WATER TANK	
14	107143030	1	WATER BREAK TANK	



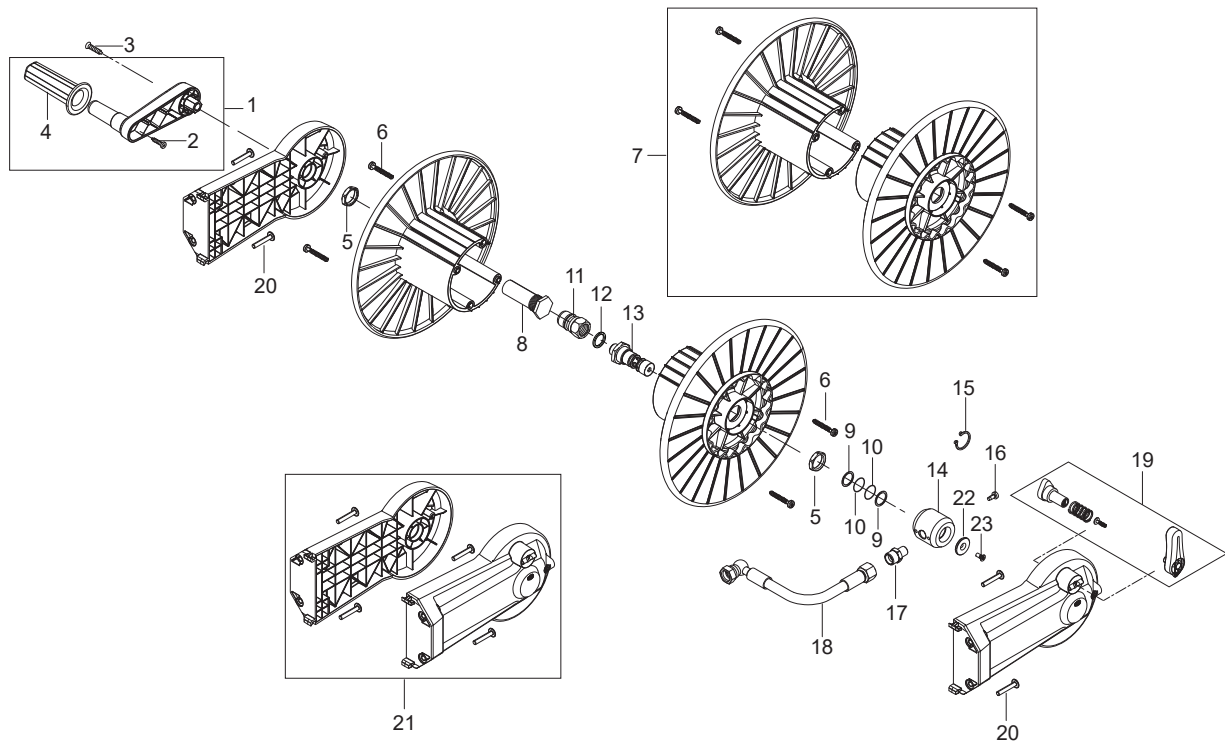
Pos.	Artikel-Nr.	Menge	Variante	Notes
1	107143086	1	FITTING FOR WATER INLET	
2	107143088	2	O-RING 18.72X2.62	
3	1800341	1	Gegenmutter 3/4	
4	107143085	2	LOCK PIN	
5	107144272	1	FILTER CPL. MH 5000MM2 50µ ACCESSORY	
6	31001100	1	FILTER CARTRIDGE WITHOUT FLANGE	[1]
7	31001011	1	Glas für Wasserfilter	[1]
8	11654	1	Schlauchklemme 11,5	
9	8298	1	Schlauchschele SGL 16-27	
10	107143031	1	FUELFLEX HOSE D28/D20 10BAR/20°	
11	101406100	1	Schlauch 6x3 mm x 5 m	
12	107143088	1	O-RING 18.72X2.62	
13	107143087	1	WATER INLET FITTING FOR FA	

Part Notes:

- [1] - TSB-PPW-2020-006 Water inlet filter cartridge and filter glass improved
 DE TSB-PPW-2020-006 Wasserzulauffilter Glas und Filtereinsatz verbessert
 TSB-PPW-2020-06 Cartouche de filtre d'entrée d'eau et bocal de filtre amélioré



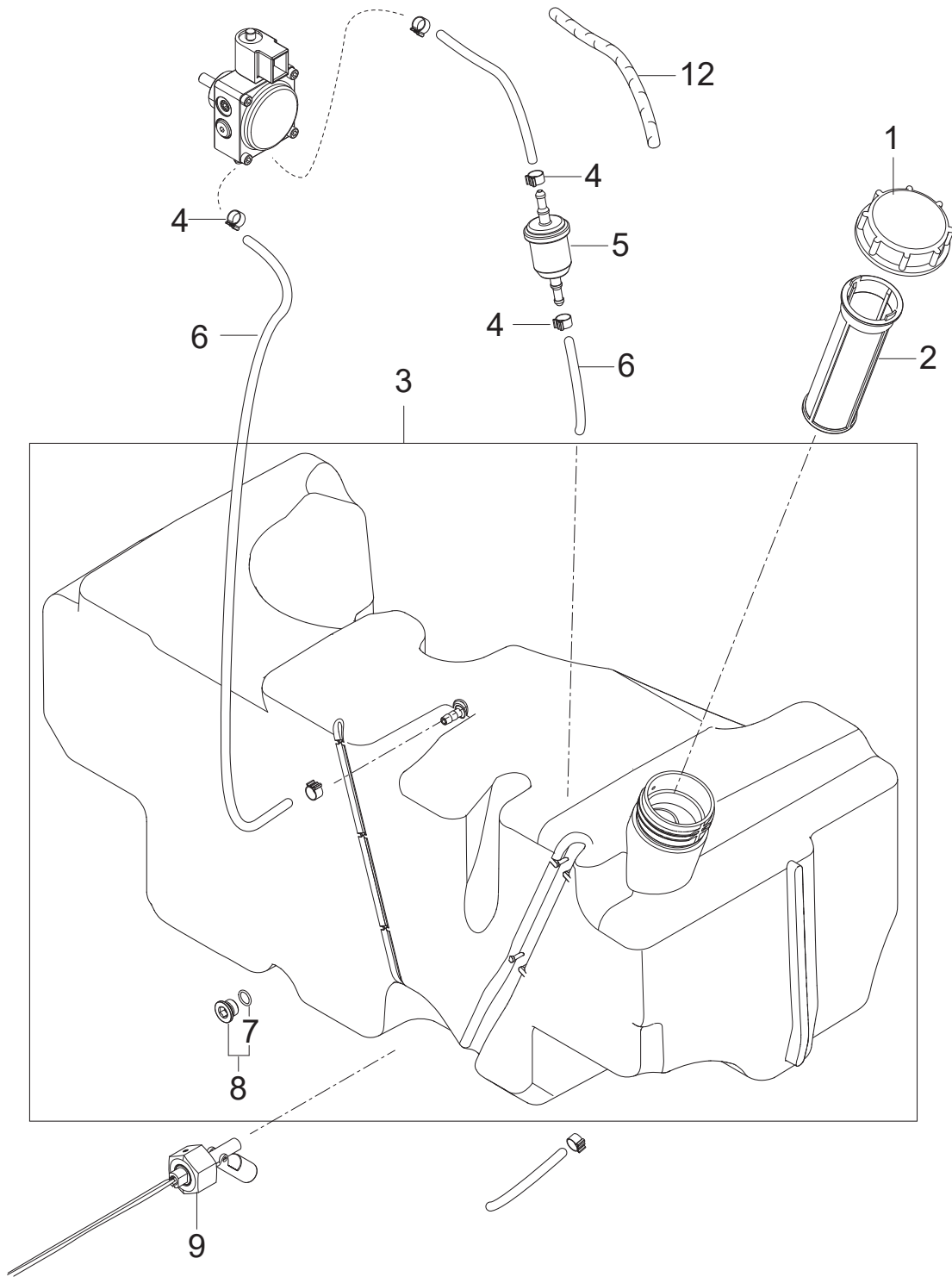
Pos.	Artikel-Nr.	Menge	Variante	Notes
1	107143025	1	CABLE HOOK CLAMP BLUE	
2	101118192	1	HANDLE KIT	
3	909100148	6	Ejotschraube K40x30 WN 14	
4	107143013	1	REAR END TOP	
5	107143014	1	REAR END BOTTOM	
6	107143021	1	COVERING FOR HANDLE RIGHT	
7	107143022	1	COVERING FOR HANDLE LEFT	
8	101118223	1	DOOR MPU C3 RIGHT	
9	107143019	1	DOOR LEFT W/LOCKS	
10	301001261	6	Verriegelung	
11	107143130	1	SIDE BUMPER LARGE RIGHT	
12	107143131	1	SIDE BUMPER LARGE LEFT	
13	101118205	1	CABINET MH 7P NILFISK KIT	
14	107143015	1	FRONT BUMPER	
15	107143009	6	BLIND PLUG D16.5 FOR T30 BLACK PE	
16	107143018	12	SCREW M6X16	
17	107141838	7	SCHRAUBE K50X18 WN1451 SCHWARZ TORX 20	



Pos.	Artikel-Nr.	Menge	Variante	Notes
0	106403184	1	Schlauchtrommel CAP 20M DN8	
1	101118215	1	HANDLE FOR HOSE REEL NILFISK	
2	107141838	2	SCHRAUBE K50X18 WN1451 SCHWARZ TORX 20	
3	107141673	1	Schraube M6x45	
4	107143007	1	ROTATING HANDLE FOR HOSE REEL NILFISK	
5	62696	2	Sechskantmutter M24x1,5x	
6	909100153	4	Schraube 6x40	
7	101118209	1	HOSE REEL SIDE KIT	
8	107141675	1	Achse	
9	107143017	2	BACK-UP RING	
10	19620	2	O-Ring 15,54x2,62	
11	1600493	1	Anschlussstück	
12	1801075	1	Dichtring	
13	107143123	1	SWIVEL FOR HOSE REEL	
14	101118317	1	BEARING BUSH KIT	[1]
15	1802057	1	Seegerring U 20 x1,2	[2]
16	107141690	1	Linsenschraube DIN7985-M5x12-8.8	
17	54590	2	Anschlussstück	
18	107143114	1	CONNECTION HOSE DN8 FOR HOSE REEL	
19	101118212	1	020KE HANDLE FOR HOSE REEL NILFISK KIT	
20	107143010	4	SCREW M6X35	
21	101118208	1	HOSE REEL ADAPTOR KIT	
22	107143125	1	WASHER 25 FOR COUNTERSUNK M5	[3]
23	107143124	1	COUNTERSUNK M5X12 ISO 14581	[3]
		1	Mounting instr. for Hose Reel Nilfisk	[4]

Part Notes:

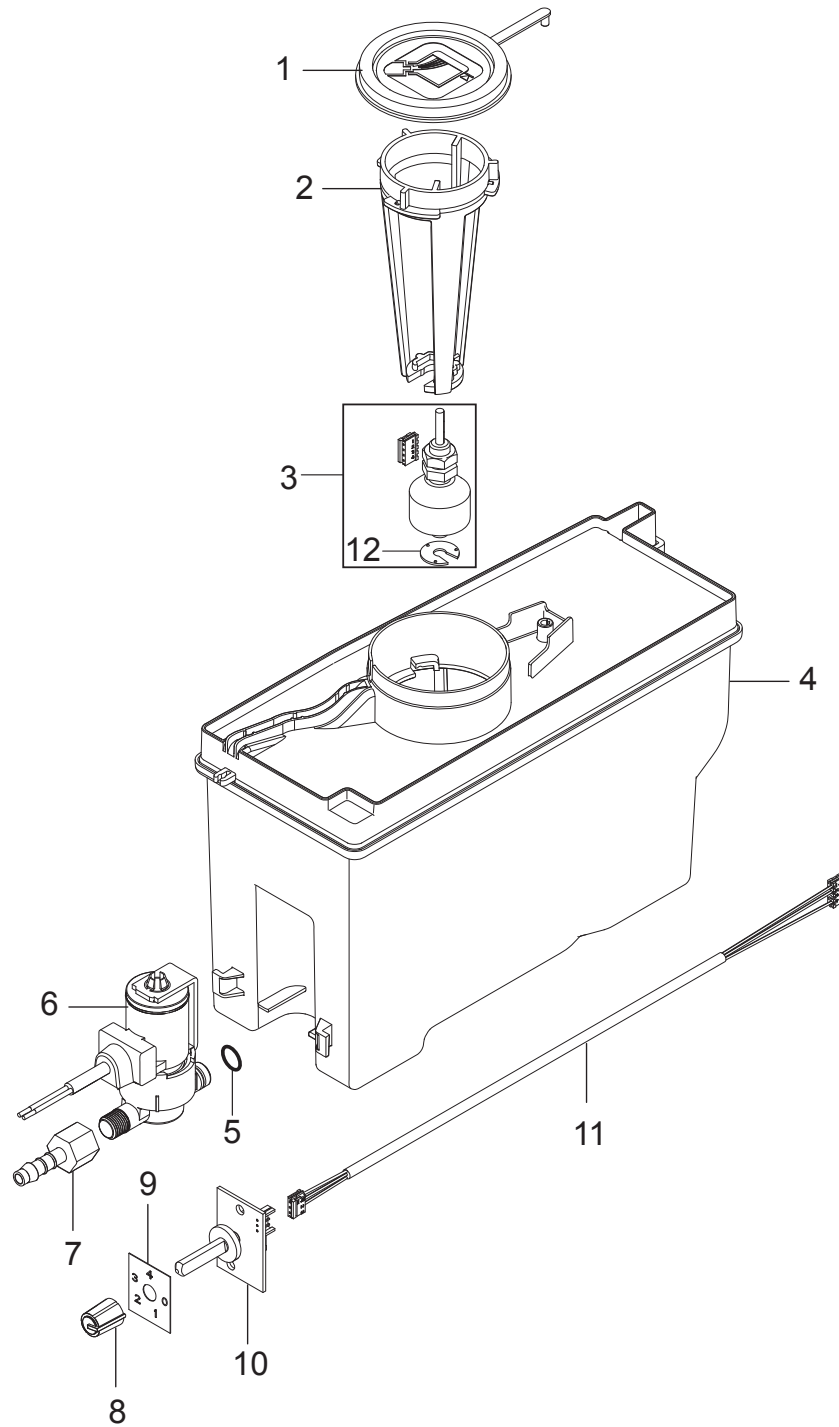
- [1] - TSB-PPW-2019-005 MH Hose Reel Screw 107143124 can break
DE TSB-PPW-2019-005 MH Schlauchtrommel Schraube 107143124 kann brechen
TSB-PPW-2019-005 vis cassée à l'enrouleur des MH
- [2] - Up to 07.2016
- [3] - TSB-PPW-2016-018 MH 4M Hose Reel Circlip
- [4] - Mounting instructions MH Nilfisk hose reel



Pos.	Artikel-Nr.	Menge	Variante	Notes
1	107143034	1	FUEL TANK LID - RED	
2	107144862	1	Tankfilter Ø49,5X140	
3	107143136	1	FUEL TANK 30L	
4	301001133	6	Schlauchklemme 10/7	
5	301002926	1	Filter 101X36.5X6 KU	
6	106408244	0.35	HOSE D6X2.5 - 5 METERS	
7	3000072	1	O-Ring 10,1 X 1,6 SMS	
8	6180906	1	Verschlussschraube	[1]
9	107143033	1	LEVEL SENSOR FUEL TANK	
10	107143164	1	BEND PROTECTOR	[2]

Part Notes:

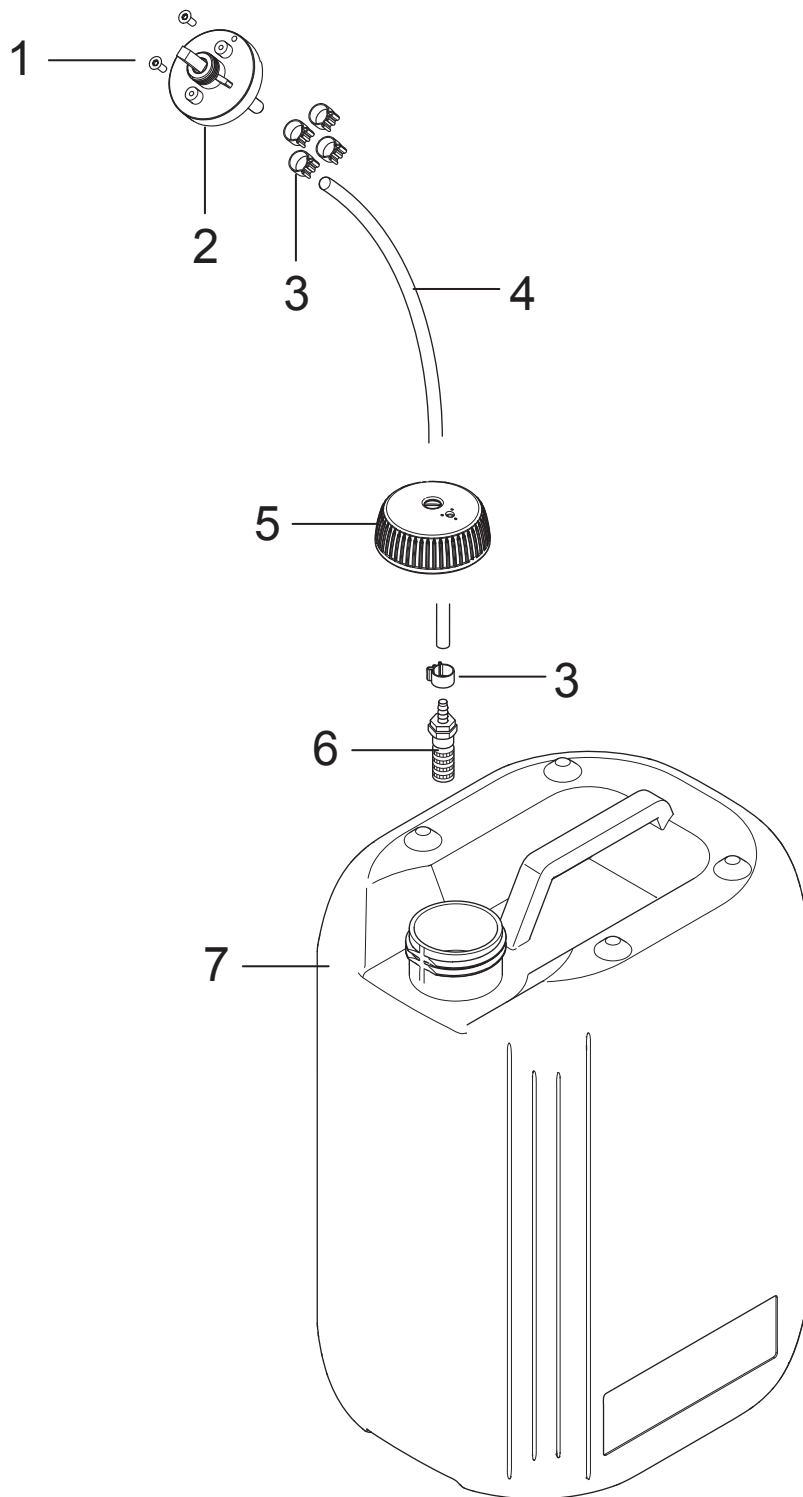
- [1] - NO REPLACEMENT
- [2] - DE TSB-PPW-2017-006 MH 3, 4, 5, 6, 7 Kraftstoffschlauch kann durch zu st...
TSB-PPW-2017-006 MH 3, 4, 5, 6, 7 Fuel hose can bend and block for fuel



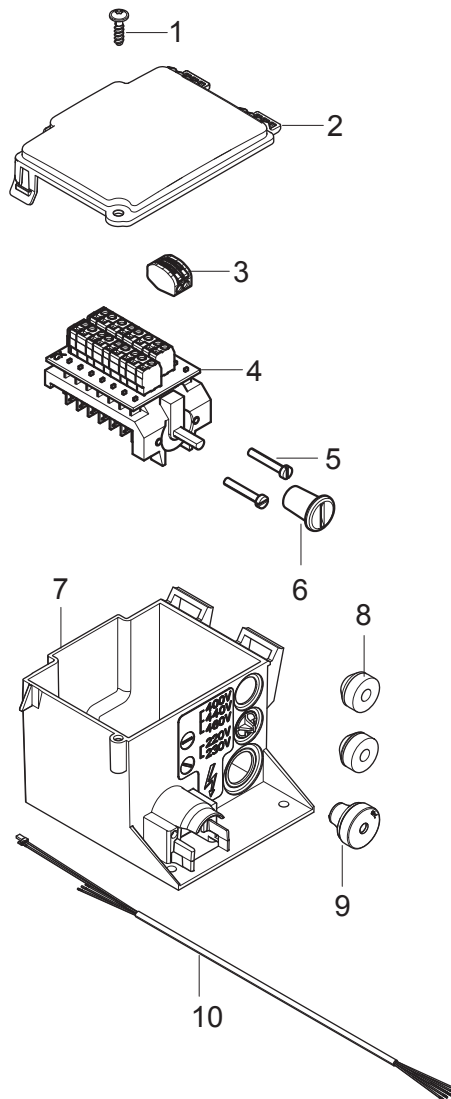
Pos.	Artikel-Nr.	Menge	Variante	Notes
1	45646	1	Deckel	
2	107143040	1	LEVELSENSOR BRACKET FOR ANTISCALE	
3	101118214	1	FLOAT SWITCH KIT	
4	107143041	1	ANTISCALE TANK CPL.	
5	31001036	1	O-RING 6X2 NBR 70SH	
6	107143037	1	DOSING VALVE RPE 24VAC	
7	107143036	1	HOSE FITTING D6X1/8 PA	
8	107318222	1	PUSH-ON KNOB 11MM/6MMD/WH	
9	107143042	1	LABEL FOR ANTISCALE	
10	101117780	1	PCB FOR POTENTIONMETER	
11	107143038	1	CABLE FOR ADJUSTMENT ANTI SCALE	
12	107142593	1	HOLDING WASHER PE	[1]

Part Notes:

- [1] - TSB-PPW-2016-017 Locking ring for oil level switch falling off



Pos.	Artikel-Nr.	Menge	Variante	Notes
1	1814730	2	Schraube 3,5x10	
2	301001000	1	Ventil	
3	301001133	8	Schlauchklemme 10/7	
4	106408243	1	HOSE 1/4INCH TRANSPARENT - 5 METERS	
5	107141664	2	Deckel	
6	107145440	2	Sieb Ventil Komplettsset	
7	80518	1	Behälter	



Pos.	Artikel-Nr.	Menge	Variante	Notes
1	107141838	1	SCHRAUBE K50X18 WN1451 SCHWARZ TORX 20	
2	301000782	1	Deckel	
3	107143069	1	SNAP TERMINAL 2 POL	
4	107143073	1	PCB SWITCH STAR/DELTA	
5	101117739	2	Flachkopfschraube	
6	64580	1	Drehknopf	[1]
7	107143074	1	E-BOX	
8	3803764	2	Stopfbuchse TET 5-7C	
9	3803772	1	Tülle	
10	107143071	1	MOTOR CABLE 5G2.5 FOR STAR/DELTA	

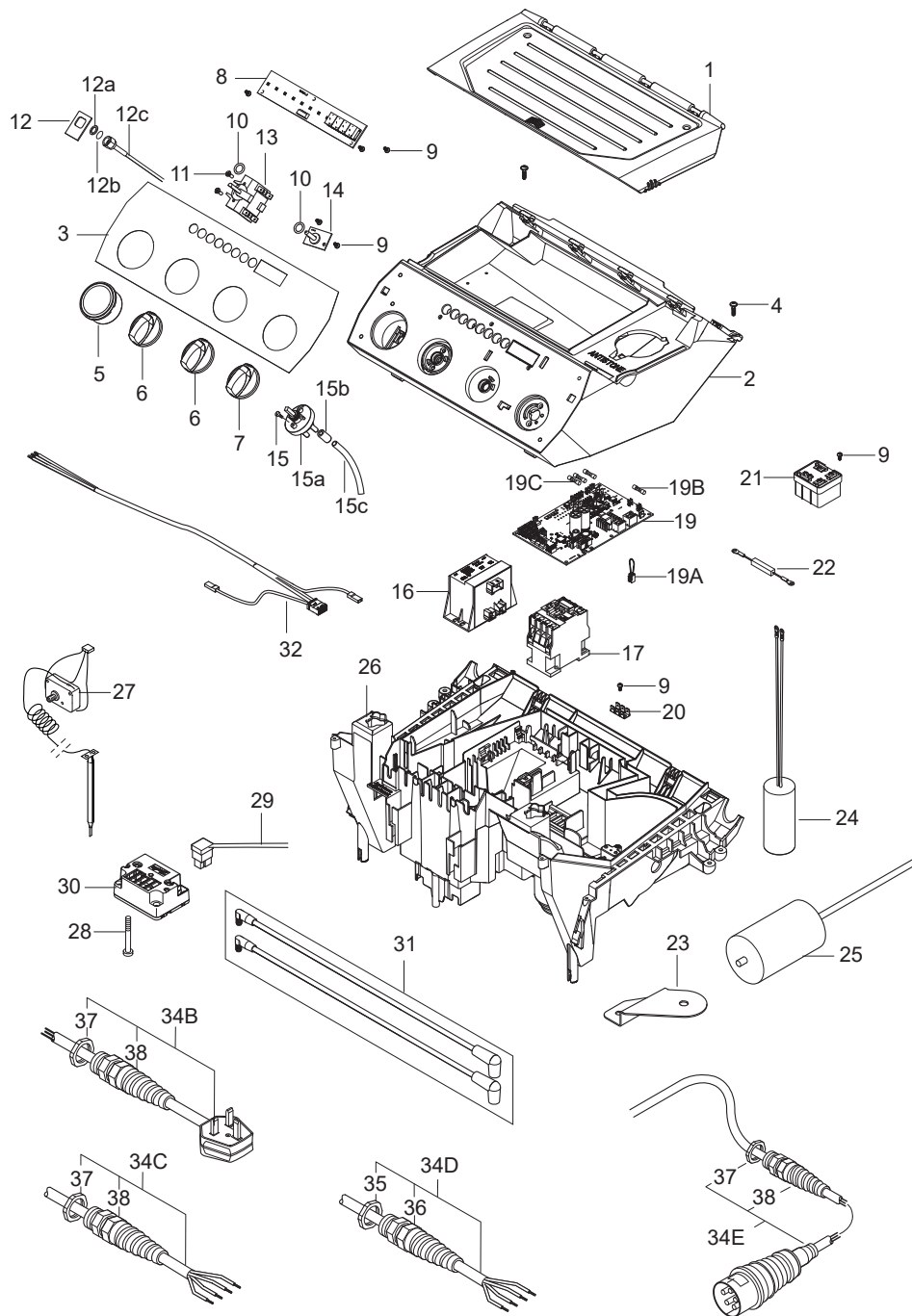
Part Notes:

- [1] - TSB-PPW-2016-007 Rotary knob for Voltage selector switch 230V-400V must be sealed with lacquer
 DE TSB-PPW-2016-007 Drehknopf des Spannungsauswahlschalters 230V-400V muss mit Lack versiegelt werden

Pos.	Artikel-Nr.	Menge	Variante	Notes
1	107141838	1	SCHRAUBE K50X18 WN1451 SCHWARZ TORX 20	
2	301000782	1	Deckel	
3	107143069	6	SNAP TERMINAL 2 POL	
4	301002165	1	Anschlussklemmenkäfig	
5	107143074	1	E-BOX	
6	3803764	1	Stopfbuchse TET 5-7C	
7	3803772	1	Tülle	
8	107143075	1	MOTOR CABLE 5G1.5 FOR 3~	[1]
8	107143076	1	MOTOR CABLE 5G1.5 FOR 1~	[2]
8	107143071	1	MOTOR CABLE 5G2.5 FOR STAR/DELTA	[3]
8	107143129	1	MOTOR CABLE 4G4 DELTA MH5-6-7	[4]
9	107143069	1	SNAP TERMINAL 2 POL	[5]
10	107143158	1	TERMINAL BLOCK 4-POL 10MM2	[6]

Part Notes:

- [1] - MH4, MH5-200
- [2] - MH4 1ph, MH5 1ph
- [3] - MH4 (JP), MH5 (not MH5-200), MH6, MH7
- [4] - MH6 JP, MH7 JP
- [5] - 1~
- [6] - MH5-6-7 - Delta, JP



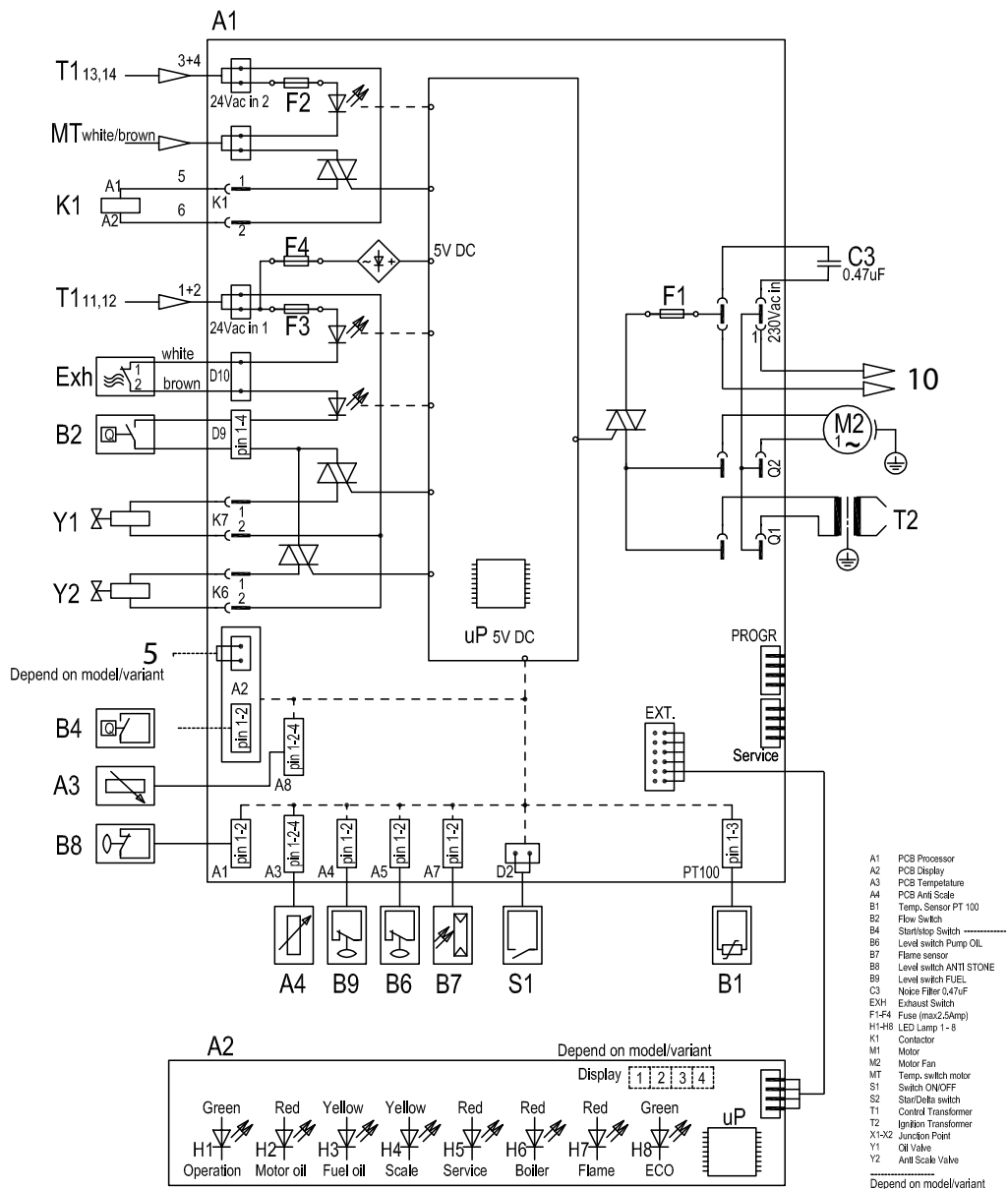
Pos.	Artikel-Nr.	Menge	Variante	Notes
1	107143046	1	TOOL BOX LID	
2	107143045	1	E-BOX TOP	
3	107143153	1	LABEL F. CONTROL PANEL FULL SPEC NILFISK	
4	107141838	2	SCHRAUBE K50X18 WN1451 SCHWARZ TORX 20	
5	107141648	1	MANOMETER 0-300 BAR	
6	909100204	2	Drehknopf 6x5 blau	
7	909100214	1	Schalter GR 1 4 Kt	
8	107143154	1	PCBA NEO UI DISPLAY CPL. MH	
9	909100046	5	Schraube 4x8	
10	9868	2	O-Ring 10x2,5	
11	18274	2	Senkschraube M4x12	
12	107141650	1	Halter	
12a	107141651	1	Scheibe DIN125-A13	
12b	31000508	1	O-RING NBR	
12c	102406647	1	Manometerrohr	
13	28877	1	Schalter	
14	101117730	1	PCB FOR POTENTIOMETER	
14	107143043	1	CABLE FOR TEMPERATURE ADJUSTMENT	
15	1814730	2	Schraube 3,5x10	
15a	301001000	1	Ventil	
15b	301001906	1	Verschlusskappe	
15c	106408243	1	HOSE 1/4INCH TRANSPARENT - 5 METERS	
16	107143051	1	POWER TRANSFORMER 230/400V 2X24V	
16	107143064	1	POWER TRANSFORMER 220-240V/440-460V	
16	107143068	1	POWER TRANSFORMER 115 / 200V	
17	103822306	1	Schütz CJX2-D18-B7 24V	[1]
17	103822313	1	Schütz 100-C23KJ10	[2]
17	103822317	1	Schütz CJX2-D32-B7 24V	[3]
19	107143151	1	PCBA MH	[4]
19A	101221031	1	Jumper f. Servicerückstellung	
19B	31001190	1	FUSE 6.3A 5X20 MM 250V	
20	107307326	1	ERDUNGSANSCHLUSS 6 PIN	
21	107142761	1	START RELAY RVA4G0C	
22	107141730	1	DISCHARGE RESISTOR 15KOHM/7W	[5]
23	107143134	1	BRACKET FOR CAPACITOR	[5]
24	107143182	1	CAPACITOR 70UF 450/500V RP-3	[6]
25	107141619	1	CAPACITOR 170MF	[5]
26	107143062	1	E-BOX BOTTOM	
27	106268028	1	Abgas Sicherheits Thermostat Kit	
28	909100149	2	Ejotschraube K50x50 WN 14	
29	107143098	1	PRIMARY CABLE FOR IGNITION COIL	
30	101117759	1	Zündtransformator 220-240	[7]
31	101118220	1	2 X IGNITION CORDS KIT	
32	107143056	1	CABLE FOR POWER TRAF0 PRIM 230V	
32	107143063	1	CABLE FOR POWER TRANSFORMER PRIM 400V	
32	107143072	1	CABLE F. POWER TRANSFORMER PRIM 230/400	
34B	101117812	1	Netzkabel H07RN BS13	[8]
34C	101118182	1	POWER CORD H07RN 4G2.5X6M GND 6.3X0.8 NO	[9]
34D	107143126	1	POWER CORD 4X5.5MM2 X9M	[10]
34E	101118222	1	POWER CORD H07RN 4G1,5 CEE5	[11]
35	909100198	1	Schnur Befestigung	
36	909100020	1	Sechskantmutter M25x1,5 EN 50262 PA	
37	909100019	1	Sechskantmutter M20x1,5 EN 50262 PA	
38	909100043	1	Kabelverschraubung	

Part Notes:

- [1] - MH5M-100/760 UK, MH5M-200/960 EU, MH5M-210/1100 EU,
MH6P-175/1250 EU, MH6M-200/1300 EU, MH7P-180/1260 EU
- [2] - MH5M-210/1100 NO, MH7P-180/1260 NO, MH8P-180/2000 EU

- [3] - MH5M-210/1100 EXP, MH6P-200/1300 NO, MH6P-210/1100 JP, MH6P-210/1300 EXP, MH7P-180/1260 JP
- [4] - TSB-PPW-2018-014 MH models Software update
DE TSB-PPW-2018-014 MH-Modele Software Update
- [5] - 1ph
- [6] - 1ph

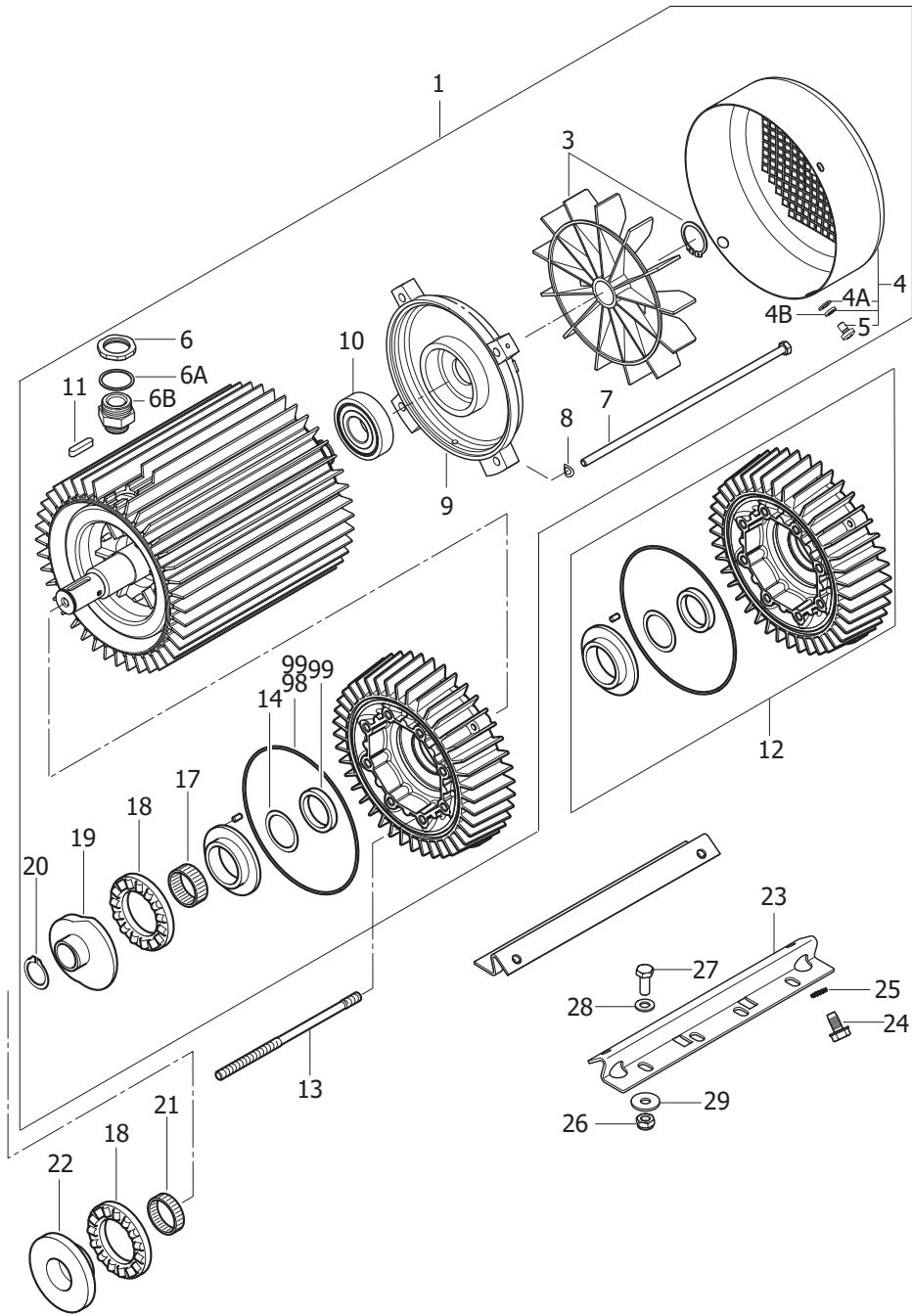
TSB-PPW-2018-003 MH_MC change of start relay and run capacitor
TSB-PPW-2018-003 MH_MC Changement du relais de démarrage et du condensateur de fonctionnement
- [7] - TSB-PPW-2018-004 Boiler cannot start - no ignition
FR TSB-PPW-2018-004 Le bruleur ne démarre plus
DE TSB-PPW-2018-004 Brenner startet nicht - keine Zündung
- [8] - MH5M-100/760 UK
- [9] - MH 5M-210/1100 EXP+NO, MH6P-200/1300 EXP+NO, MH7P-180/1260 NO
- [10] - MH6P-210/1100 JP, MH7P-180-1260 JP
- [11] - MH5M-200/960 EU, MH5M-210/1100 EU, MH6P-175/1250 EU, MH6P-200/1300 EU, MH7P-180/1260 EU



Pos.	Artikel-Nr.	Menge	Variante	Notes
T1	107143052	2	CABLE FOR POWER TRANSFORMER SEC 6X0.75	
MT	107143070	1	CABLE FOR MT	
K1	107143052	1	CABLE FOR POWER TRANSFORMER SEC 6X0.75	
Exh	107143055	1	CABLE FOR HOT WATER MODE AND EXH. SWITCH	
B2	107143121	1	REED SWITCH NO W/CABLE	[1]
Y1	107143095	1	CABLE FOR SOLENOID VALVE 2X0.5	
Y2	107143037	1	DOSING VALVE RPE 24VAC	
5	101118188	1	MICRO-SWITCH KIT	[2]
B4	107143121	1	REED SWITCH NO W/CABLE	[3]
A3	107143043	1	CABLE FOR TEMPERATURE ADJUSTMENT	
B8	101118214	1	FLOAT SWITCH KIT	
A4	107143038	1	CABLE FOR ADJUSTMENT ANTI SCALE	
B9	107143033	1	LEVEL SENSOR FUEL TANK	
B6	101118173	1	OIL SENSOR W/PLUG KIT	[4]
B7	107143100	1	FLAME SENSOR WITH CABLE	
S1	107143055	1	CABLE FOR HOT WATER MODE AND EXH. SWITCH	
B1	107143083	1	TEMPERATUR SENSOR PT100 W/CABLE	
A2	107143053	1	CABLE FOR UI	
T2	107143098	1	PRIMARY CABLE FOR IGNITION COIL	
M2	107143096	1	MOTOR BURNER - 0.23KW/230V/50HZ/1PH	[5]
M2	107143097	1	MOTOR BURNER 390W/200-240V/50/60HZ	[6]
10	107143054	1	WIRE BLACK L=400	
C3	101117867	1	Entstörglied	

Part Notes:

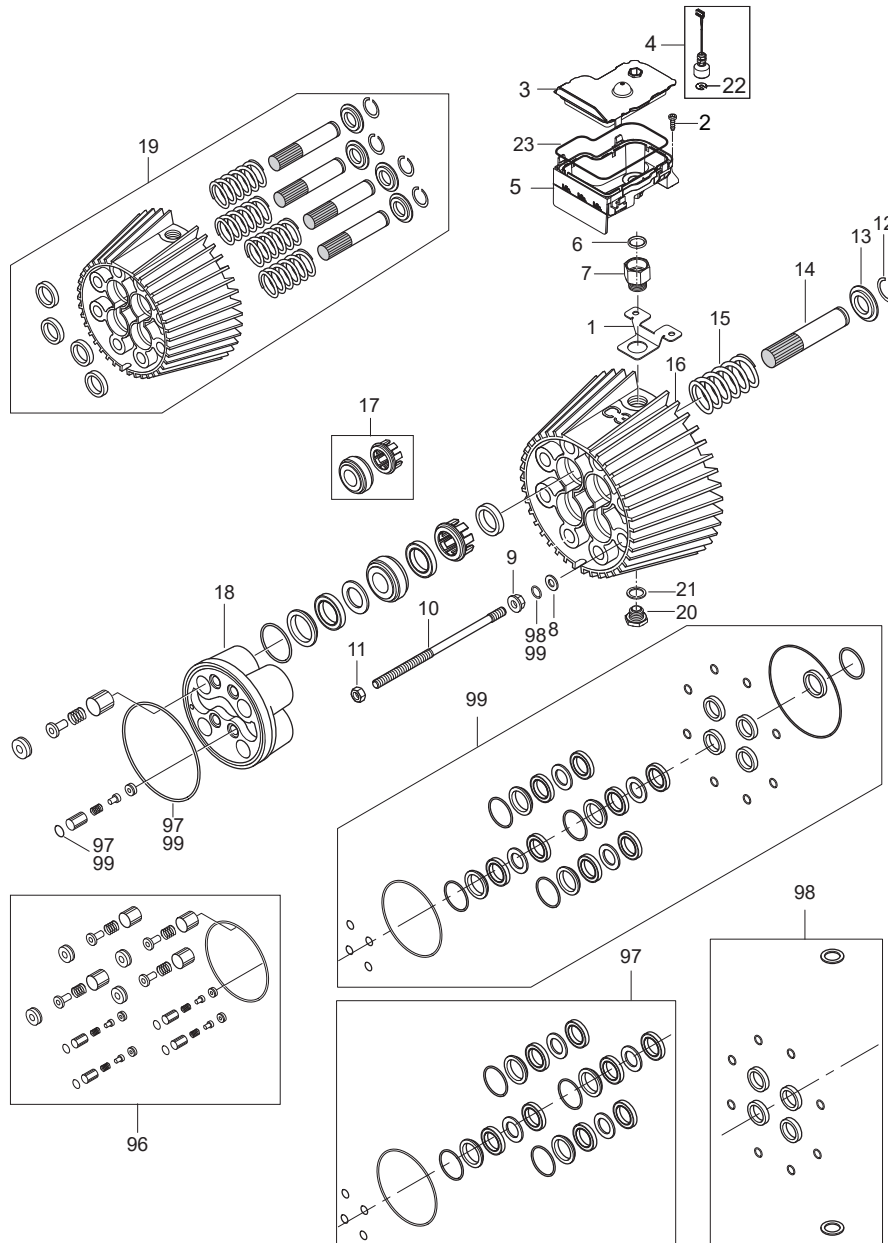
- [1] - TSB-HPW-2025-003 Reed switch 107143121 torque and packaging
- [2] - NA5 PA
- [3] - FA
TSB-HPW-2025-003 Reed switch 107143121 torque and packaging
- [4] - MI 107309166 JST Connector
- [5] - MH 5M-210/1100 FA 400/3/50 Gerni, MH 5M-210/1100 FAX 400-230/3/50 NO, MH 6P-175/1250 FAX 400/3/50 EUMH 6P-200/1300 FAX 400/3/50 EU, MH 7P-180/1260 FA 400/3/50 EU
- [6] - MH 5M-210/1100 FA 440-220/3/60 EXPT, MH 6P-210/1100 FA 200/3/50-60 JP, MH 6P-195/1350 FA 440-220/3/60 EXPT, MH 7P-180/1260 FA 200/3/50-60 JP



Pos.	Artikel-Nr.	Menge	Variante	Notes
	31001229	1	OIL ISO 150 ALPHASYN-T 20L	
0	5218433	1	Pumpenöl 150 1x1l	
1	101118225	1	MOTOR 6.5KW 200 3 60 KIT	
1	101118226	1	MOTOR 6.5KW 400 415 230 3 50 KIT	
1	101118227	1	MOTOR 6.5KW 200 3 50 KIT	
2		1	Shaft retaining ring Ø28x1.2	
3	107142275	1	FAN AND RETAINING RING	
4	107142276	1	COVER FOR FAN	
4A		4	Plain washer M5 DIN125A galv	
4B		4	Lock washer M5 DIN 7980 A zinc plated	
5	1813781	2	Schraube M5x8 7985 St-zn	
6	20862	1	Rohrmutter R1	
6A	103004340	1	Dichtring 1	
6B	107302152	1	Verschraubung G1AG/G3/4	
7	31000493	4	STAY BOLT 306 MM	
8	1801182	4	Federring 8,1	
9	107142277	1	REAR BEARING COVER	
10	31000149	1	Lager RF	
11	3200672	1	Passfeder 6x6x32	
12	107140615	1	Lagerabdeckung, vorn	
13	6301368	8	Stehbolzen	
14	6100995	1	Scheibe 53x40,5x1,25	
17	3200656	1	Nadellager K40x45x17	
18	3200615	2	Axialrollenlager	
19	107120710	1	Taumelscheibe No.6	[1]
19	107120716	1	Taumelscheibe No.12	[2]
20	1802511	1	Sicherungsring 28x1,2	
21	3200664	1	Nadellager K40x45x13A	
22	107120704	1	Lagerscheibe Pumpenseiti	[3]
23	107142071	2	MOTORHALTERUNG C3 C3 POSEIDON 7	
24	107140908	4	SPECIAL SCREW M10x20 F. C3 BRACKET SPARE	
25	10204	8	Fächerscheibe 10,5 -A- DIN 6798 FS/zn	
26	8952	4	Sechskantmutter M10 ISO 7042 zn	
27	1801133	4	Schraube M10X25	
28	2767	4	Scheibe 10,5x2,0 ISO 7090 zn	
29	4827	4	Scheibe 10,5x2,5 A ISO 7093-1 zn	
98	1119820	1	Reparatursatz Öldichtung	
99	1119570	1	Dichtsatz	

Part Notes:

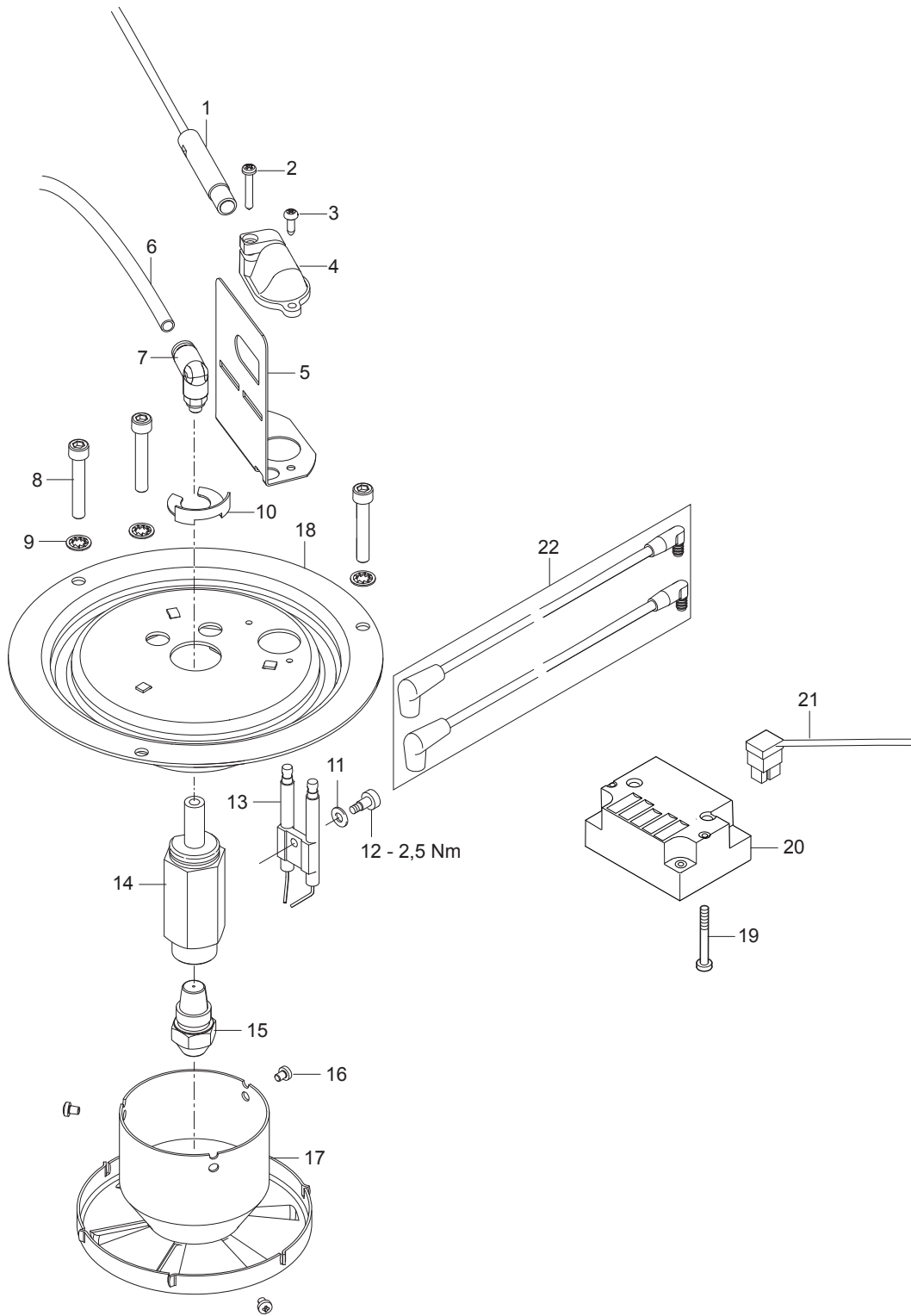
- [1] - TSB-PPW-2019-007 C3 NA6 Wobble Disc and Bearing Track surface hardening change Machine no. 107146985 MH 7P-180/1260, 107146986 MH 7P-3000/5,4
- [2] - TSB-PPW-2019-007 C3 NA6 Wobble Disc and Bearing Track surface hardening change Machine no. 107146980, 107146981, 107146982, 107146983, 107146994, 107146984 - MH 7P-180/1260
- [3] - TSB-PPW-2019-007 C3 NA6 Wobble Disc and Bearing Track surface hardening change



Pos.	Artikel-Nr.	Menge	Variante	Notes
	31001229	1	OIL ISO 150 ALPHASYN-T 20L	
0-	5218433	1	Pumpenöl 150 1x1l	[1]
1	107141609	1	Adapter Ölbehälter C3	
2	107140881	2	SCREW M5X12 DIN 7985 TORX	
3	107140877	1	Deckel	
4	101118173	1	OIL SENSOR W/PLUG KIT	
5	107143094	1	OIL CONTAINER BOTTOM	
6	107140882	1	O-Ring 15,0 x 3,0	
7	107141610	1	Schraubadapter C3	
8	6100718	8	Scheibe 10x16x1	
9	6100719	8	Druckring	
10	6301368	8	Stehbolzen	
11	1800465	8	Mutter M10	
12	1802529	4	Sicherungsring 24	
13	6100666	4	Ring	
14	6301166	4	Keramischer Druckkolben	
15	102602517	4	RUECKHOLFEDER C3	
16	6100610	1	Zylinderblock	
17	107120700	4	DruckringStützring (1 St.)	
17	101119850	1	Dichtung Set Gleitring	[2]
18	107120701	1	Zylinderkopf C3	
19	6300071	1	Zylinderblock Kompl.	
20	6150400	1	Verschlusspfropfen	
21	106408208	1	KUPFERDICHRING 17X25X1.5	
22	107142593	1	HOLDING WASHER PE	
23	101406054	1	Dichtung	
96	1119310	1	ET-Set Ventile [4x]	
97	1119571	1	Dichtsatz	
98	1119820	1	Reparatursatz Öldichtung	
99	1119570	1	Dichtsatz	

Part Notes:

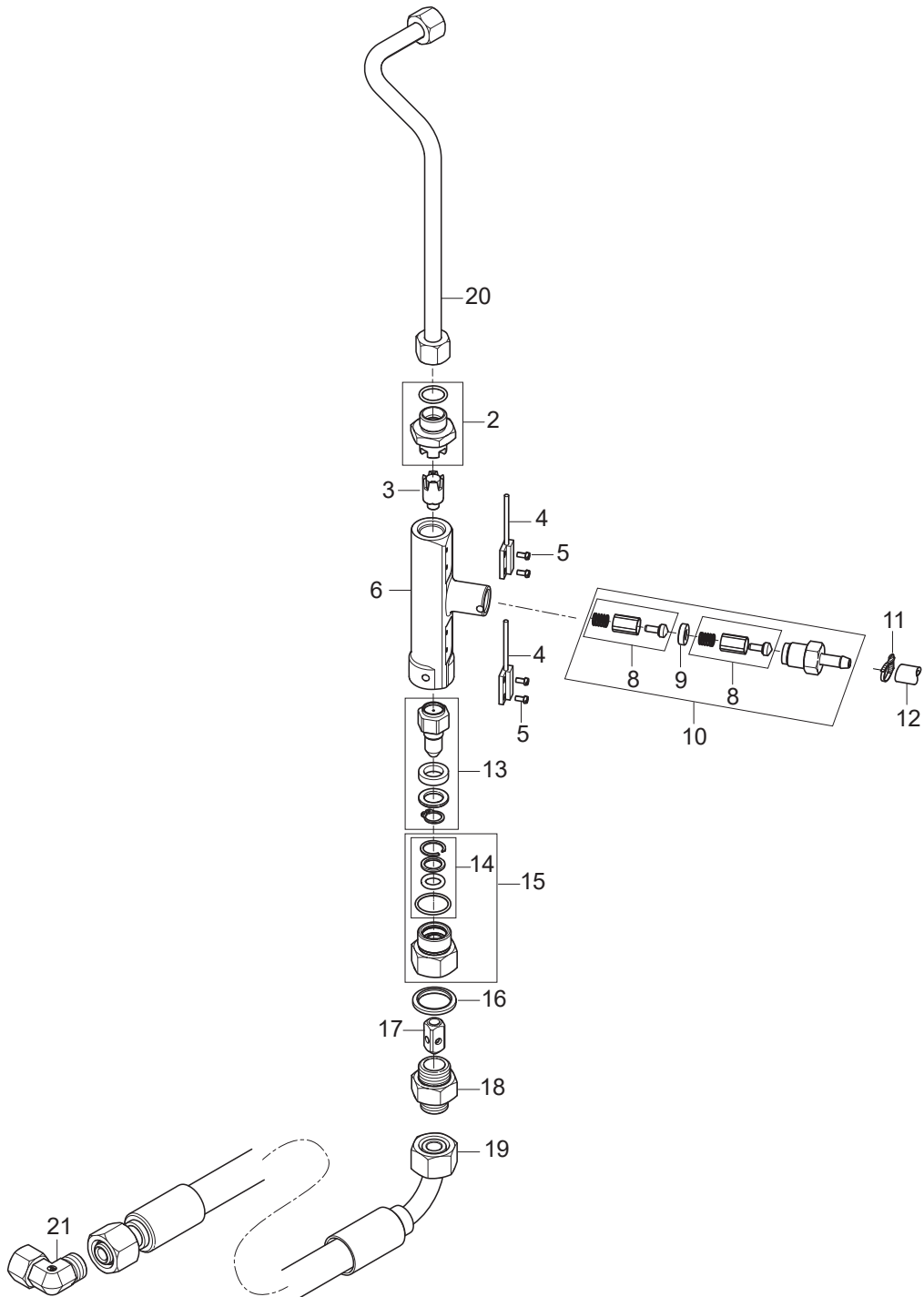
- [1] - 1,1 l. - OIL TYPES_QUANTITY for HPW_APRIL 2017
 [2] - Supporting ring metal



Pos.	Artikel-Nr.	Menge	Variante	Notes
1	107143100	1	FLAME SENSOR WITH CABLE	
2	5606	1	Blechschraube 2,9x19	
3	4036	1	Blechschraube 2,9x9,5	
4	301000934	1	Halter	
5	107143101	1	SHIELD FOR FLAME SENSOR	
6	909100141	1	Brennstoffleitung 4x1 mm x 1 m	
7	101117913	1	Winkelverschraubung	
8	3873	3	Schraube M5x30	
9	3376	3	Fächerscheibe 5,3 -A- DIN 6798 VA	
10	101117876	1	Sicherungsring	
11	909100144	1	Federscheibe B5	
12	909100143	1	Schraube M4x4,5	
13	301150009	1	Elektrode	
14	101117915	1	Düsenstock	
15	101118013	1	Öldüse 2.25 GAL/H	
16	51848	3	Linsenschraube M3x 4 DIN 7985 zn	
17	301001833	1	Stauscheibe 90x59,2	
18	301000606	1	Deckel	[1]
19	909100149	2	Ejotschraube K50x50 WN 14	
20	101117759	1	Zündtransformator 220-240	[2]
21	107143098	1	PRIMARY CABLE FOR IGNITION COIL	
22	101118220	1	2 X IGNITION CORDS KIT	

Part Notes:

- [1] - MH5, MH6, MH7, MH8
- [2] - TSB-PPW-2018-004 Boiler cannot start - no ignition
FR TSB-PPW-2018-004 Le bruleur ne démarre plus
DE TSB-PPW-2018-004 Brenner startet nicht - keine Zündung



Pos.	Artikel-Nr.	Menge	Variante	Notes
2	101118190	1	MALE STUD M18X1.5 KIT	
3	101118055	1	MAGNET AND HOUSE FOR FLOW SWITCH-KIT NA6	
4	107143121	2	REED SWITCH NO W/CABLE	[1]
5	101118033	4	SCREW M3X6 BRASS	
6	101118308	1	Durchflussregelung	
8	1119566	2	Reparatursatz fuer Ruecks	
9	6201535	1	Sitz	
10	1119318	1	Rep.satz Rueckschlagventi	
11	11654	2	Schlauchklemme 11,5	
12	101406100	0.92	Schlauch 6x3 mm x 5 m	
13	101117896	1	Rueckschlagventil mit	
14	101118191	1	SEALING KIT FOR MALE STUD	
15	101118230	1	Dichtsatz zu Rueckschlagventil 1/2"-M22X	
16	1807932	1	Dichtring	
17	6101038	1	Kolben	
18	107143155	1	Nippel 1/2" AG - M18X1.5	
19	107143171	1	HP HOSE DN10 505 DKL-DKL 90D	
20	107143172	1	PIPE FLOW CONTROL NA6-NA6+C3/B7	
21	101118094	1	Kupplungssatz 90D ISO	
19+20+21	101118293	1	HP HOSE AND CONNECTION PIPE KIT	[2]

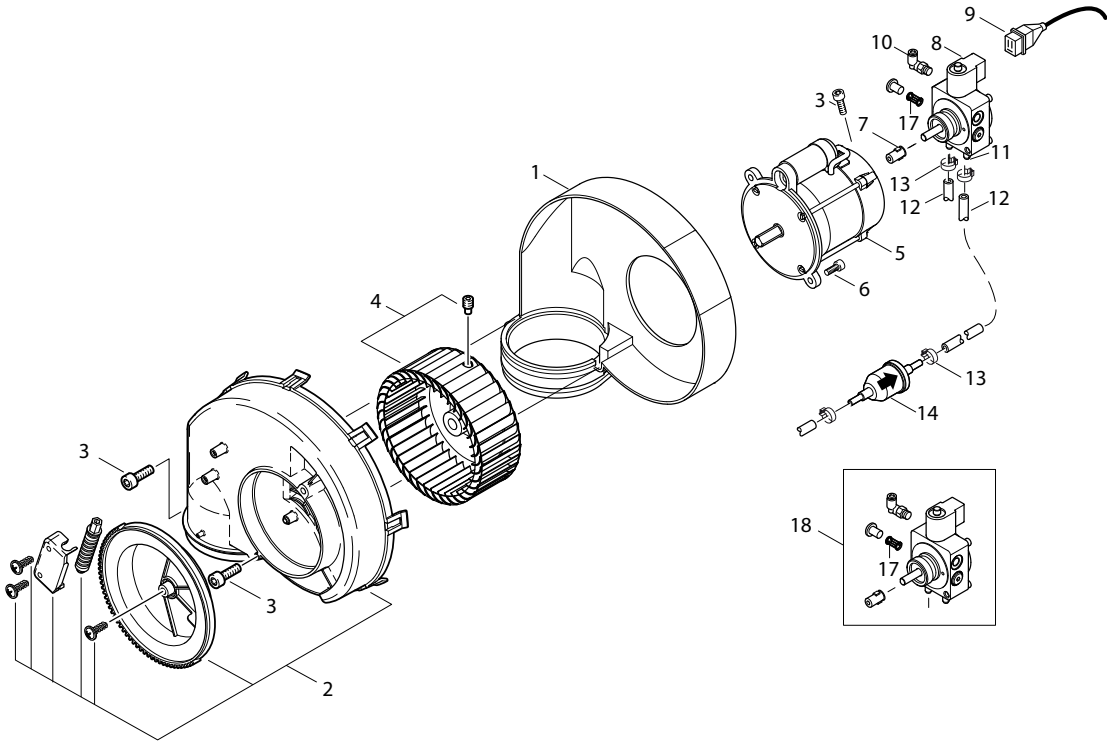
Part Notes:

[1] - TSB-HPW-2025-003 Reed switch 107143121 torque and packaging

[2] - TSB-PPW-2018-005 MH 6_MH 7 Pipe to flow control changed

DE TSB-PPW-2018-005 MH 6 MH 7 Hochdruckleitung zu der Flusststeuerung wir...

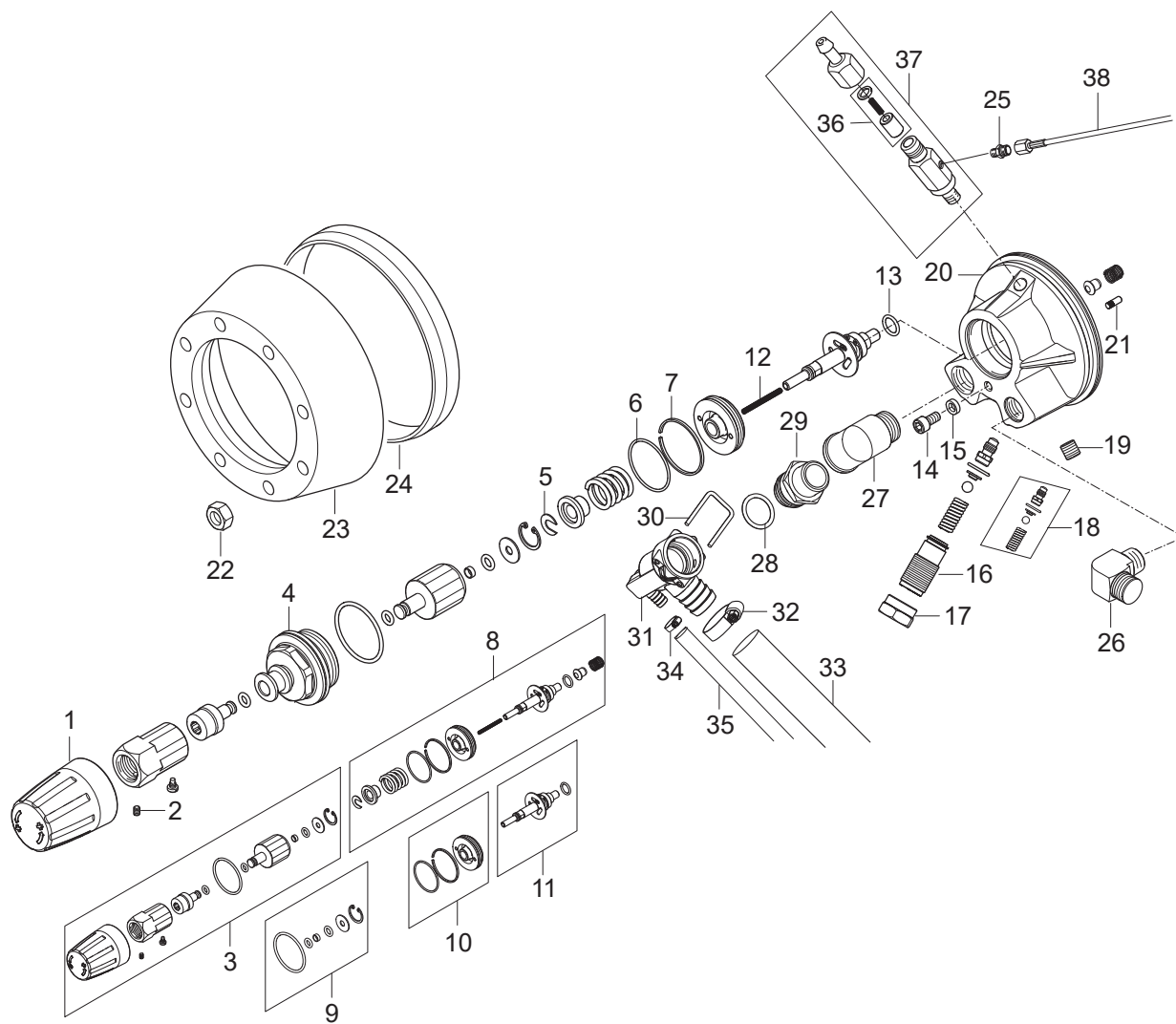
TSB-PPW-2018-005 MH6 et 7P, nouveau tube pour le controleur de débit



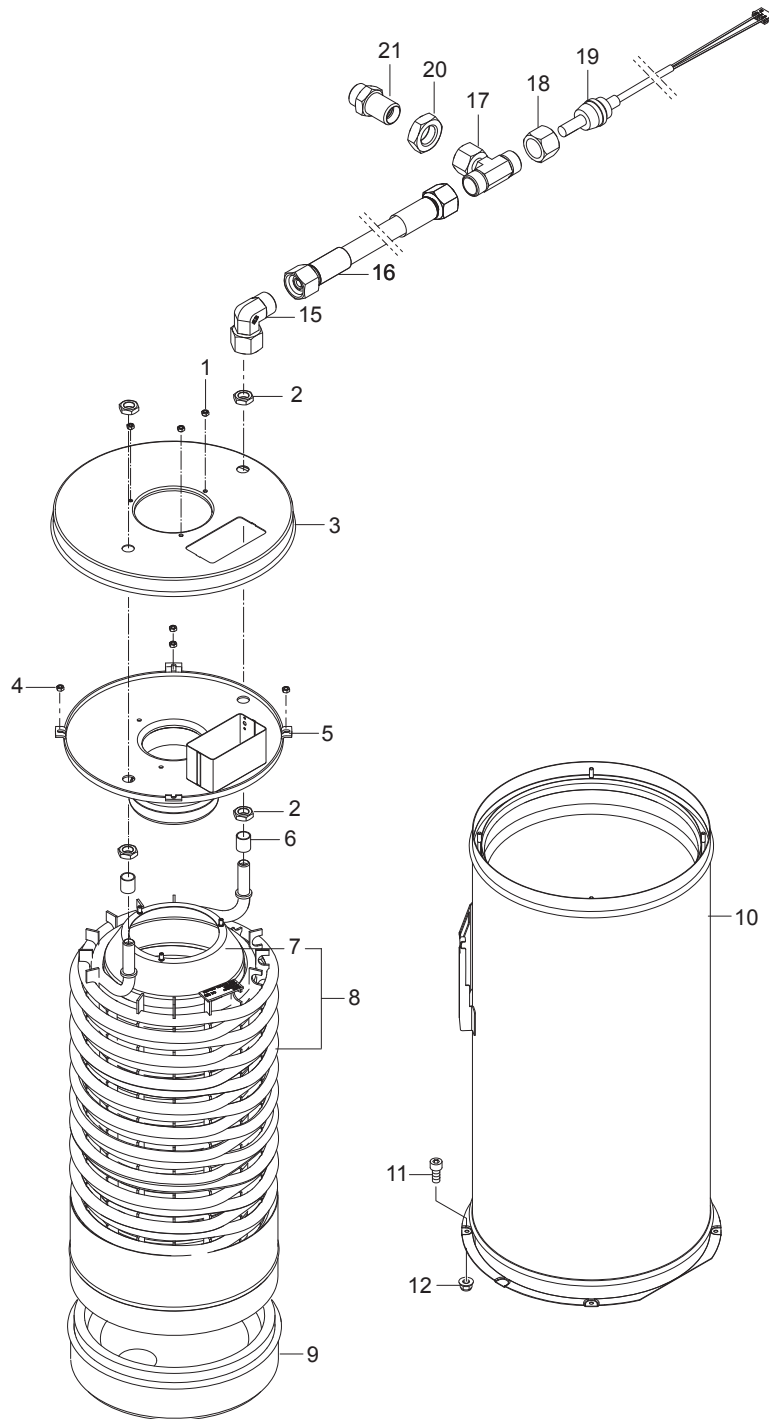
Pos.	Artikel-Nr.	Menge	Variante	Notes
1	301000495	1	Lüftergehäuse	
2	301000852	1	Abdeckung	
3	32535	3	Zylinderschraube M5x16	
4	301000889	1	Lüfterrad	[1]
4	301002126	1	Lüfterrad	[2]
5	107143096	1	MOTOR BURNER - 0.23KW/230V/50HZ/1PH	[1]
5	107143097	1	MOTOR BURNER 390W/200-240V/50/60HZ	[2]
6	4697	2	Zylinderschraube M6x16	
7	101117707	1	Verbindungskupplung	
8	3821089	1	Spule m. Mutter und Scheibe	
9	107143095	1	CABLE FOR SOLENOID VALVE 2X0.5	
10	101117706	1	Winkelverschraubung	
11	101117777	1	Schlauchverbindung zur Öl	
12	106408244	1	HOSE D6X2.5 - 5 METERS	
13	301001133	2	Schlauchklemme 10/7	
14	301002926	1	Filter 101X36.5X6 KU	
17	31001081	1	FILTER FOR OIL PUMP	
18	101117673	1	Ölpumpe komplett	

Part Notes:

- [1] - MH 5M-210/1100 FA 400/3/50 Gerni, MH 5M-210/1100 FAX 400-230/3/50 NO, MH 6P-175/1250 FAX 400/3/50 EUMH 6P-200/1300 FAX 400/3/50 EU, MH 7P-180/1260 FA 400/3/50 EU
- [2] - MH 5M-210/1100 FA 440-220/3/60 EXPT, MH 6P-210/1100 FA 200/3/50-60 JP, MH 6P-195/1350 FA 440-220/3/60 EXPT, MH 7P-180/1260 FA 200/3/50-60 JP



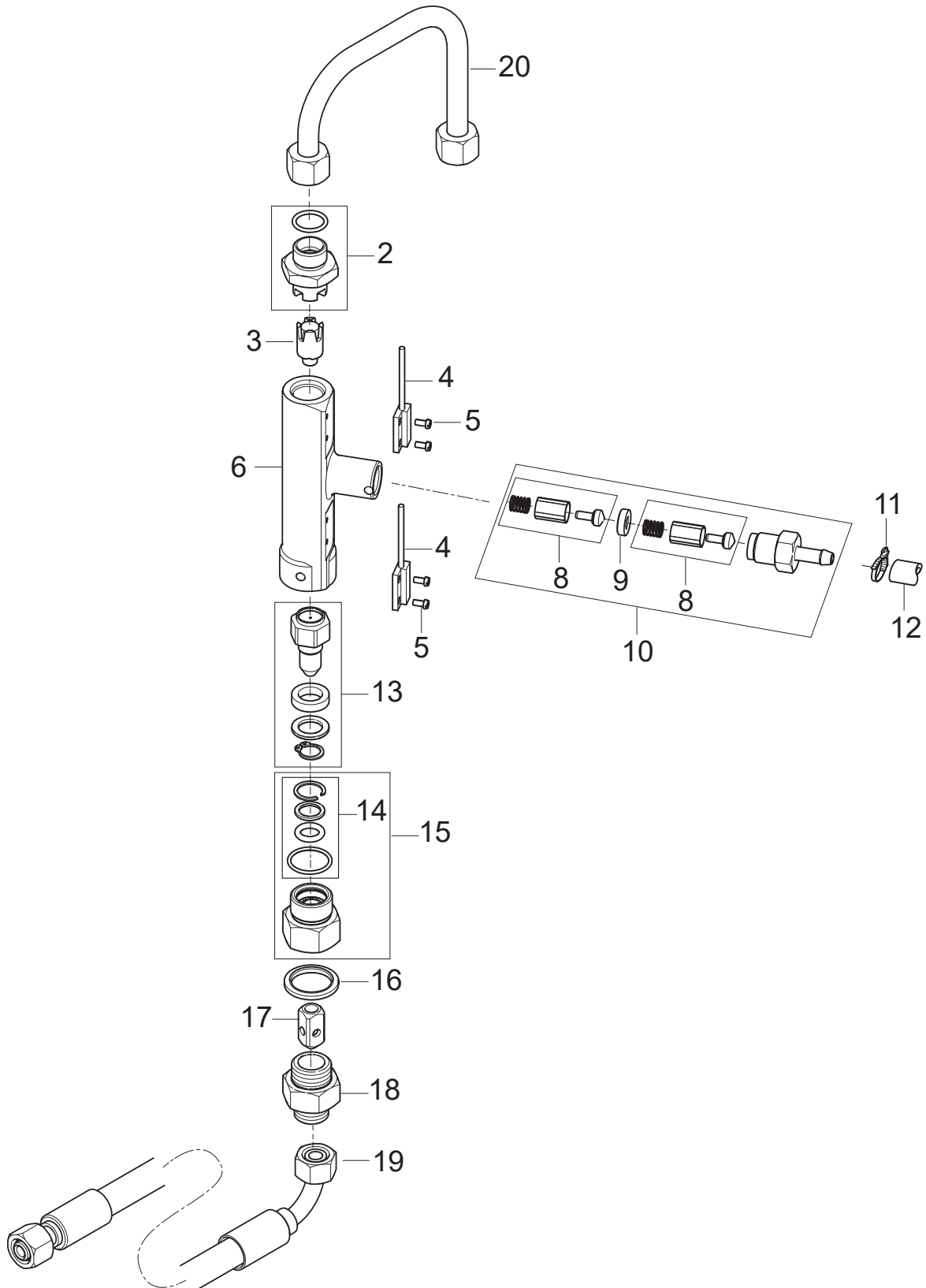
Pos.	Artikel-Nr.	Menge	Variante	Notes
1	107143183	1	REGELKNOPF C3 NILFISK	
2	1802602	1	Schraube M4x 6	
3	101118115	1	Wasserreger Kit C3	
4	6100984	1	Buchse f. Justierspindel	
5	6101069	1	Sicherungsscheibe	
6	3001716	1	O-Ring 35,1x1,6	
7	6101061	1	Kolbenring	
8	1118580	1	Reparatursatz Umlaufventi	
9	101119410	1	Reparatursatz Dichtungen	
10	6100925	1	Kolben	
11	6400143	1	Ventilkegel	
12	2600286	1	Feder	
13	6441	1	O-Ring 11,0 X2,0 DIN	
14	3913	1	Zylinderschraube M6x12	
15	6100985	1	Sicherungsscheibe	
16	6100940	1	Einstellschraube	
17	6100928	1	Mutter	
18	1118512	1	Sicherheitsventil	
19	1602333	1	Verschlussschraube G1/8	
20	6101042	1	Ventildeckel	
21	6100996	1	Kegelstift	
22	1800465	8	Mutter M10	
23	6100602	1	Spannring	
24	6301392	1	Abstandsring	
25	1821	1	Verbindungsstück	
26	1600444	1	Versch. DIN 2353 G X12L	
27	101118178	1	ELBOW MALE/FEMALE 1/2X1/2 BRASS KIT	
28	107143088	1	O-RING 18.7X2.62	
29	107143150	1	WATER INLET MPU C3	
30	107143085	1	LOCK PIN	
31	107143143	1	Wasserbegrenzer XL	
32	8298	2	Schlauchschelle SGL 16-27	
33	107143031	1	FUELFLEX HOSE D28/D20 10BAR/20°	
34	11654	1	Schlauchklemme 11,5	
35	106408243	1	HOSE 1/4INCH TRANSPARENT - 5 METERS	
36	1119317	1	Reparatursatz fuer Entlue	
37	6220596	1	Entlueftungsventil, kompl	
38	60141	1	Hochdruckschlauch DN 2, 800 mm	



Pos.	Artikel-Nr.	Menge	Variante	Notes
0	107144780	1	HEAT EXCHANGER B7 SS, MH	
1	3136	3	Sechskantmutter M6 ISO 4032 zn	
2	7012	4	Mutter 6kt M18x1,5	
3	31001162	1	OUTER BOILER TOP B5 - B7	
4	12263	4	Sechskantmutter M6	
5	31001166	1	INSIDE BOILER TOP CPL. B7	
6	301000582	2	Hülse	
7	301000541	1	Abgasführungshaube	
8	31001167	1	COIL WELDED B7	
8	107143300	1	COIL B7 SS, MH	[1]
9	301000916	1	Isolierung	[2]
10	31001168	1	JACKET CPL. B7	
11	4697	2	Zylinderschraube M6x16	
12	11619	2	Sechskantmutter M6 ISO7042 A2K	
15	101118094	1	Kupplungssatz 90D ISO	
16	106268112	1	HP HOSE DN10 L625MM SPARE PART	
17	101118093	1	Verbindungsstück	
18	1081	1	Überwurfmutter DIN 3870-A L 12 St/zn	
19	107143083	1	TEMPERATUR SENSOR PT100 W/CABLE	
20	1803220	1	Mutter M18x1,5 I	
21	107143082	1	OUTLET FITTING	

Part Notes:

- [1] - TSB-PPW-2017-011 Stainless Steel heat exchangers new stay material and new spare part numbers
 [2] - TSB-HPW-2021-002 Chamotte stones in insulation removed



Pos.	Artikel-Nr.	Menge	Variante	Notes
2	101118190	1	MALE STUD M18X1.5 KIT	
3	101118055	1	MAGNET AND HOUSE FOR FLOW SWITCH-KIT NA6	
4	107143121	2	REED SWITCH NO W/CABLE	[1]
5	101118033	4	SCREW M3X6 BRASS	
6	101118308	1	Durchflussregelung	
8	1119566	2	Reparatursatz fuer Ruecks	
9	6201535	1	Sitz	
10	1119318	1	Rep.satz Rueckschlagventi	
11	11654	2	Schlauchklemme 11,5	
12	101406100	0.92	Schlauch 6x3 mm x 5 m	
13	101117896	1	Rueckschlagventil mit	[2]
14	101118191	1	SEALING KIT FOR MALE STUD	
15	101118230	1	Dichtsatz zu Rueckschlagventil 1/2"-M22X	
16	1807932	1	Dichtring	
17	6101038	1	Kolben	
18	107143155	1	Nippel 1/2" AG - M18X1.5	
19	107143171	1	HP HOSE DN10 505 DKL-DKL 90D	[3]
20	107143188	1	PIPE FLOW CONTROL NA5/6 / B5	[4]
19+20	101118322	1	HP HOSE AND CONNECTION PIPE NA6/B5 KIT	

Part Notes:

- [1] - TSB-HPW-2025-003 Reed switch 107143121 torque and packaging
- [2] - TSB-PPW-2016-012 MH 4M FA None return valve 101117896 get stocked
DE TSB-PPW-2016-012 MH 4M FA Strömungskolben 101117896 blockiert
- [3] - MH5, MH 6P-175/1250, MH 6P-210/1100
- [4] - MH5, MH 6P

Pos.	Artikel-Nr.	Menge	Variante	Notes
1	106403154	1	ERGO 2000 SPRAY GUN W/O LOGO ACC.	[1]
3	106403011	1	TORNADO PLUS 1000 gebogen	[2]
4	61369	1	Schlauchtülle ø20 R3/4" vormontiert CuZn	
5	101119748	1	HD-Düse 0700 TORNADO	
6	6101767	1	HD-Schlauch DN10x10m SL	[3]
7	1401991	1	HD-Schlauch DN10x20m 3/8	[4]
	106403196	1	REMOTE CONTROL 2X DETERGENT ACCESSORY	

Part Notes:

- [1] - ERGO 2000 Spray handle
- [2] - TORNADO PLUS lance
- [3] - MH6, MH7 without hose reel
HOSES Overview
- [4] - Accessory - with hose reel (X-tra)
HOSES Overview

