

PARTS LIST

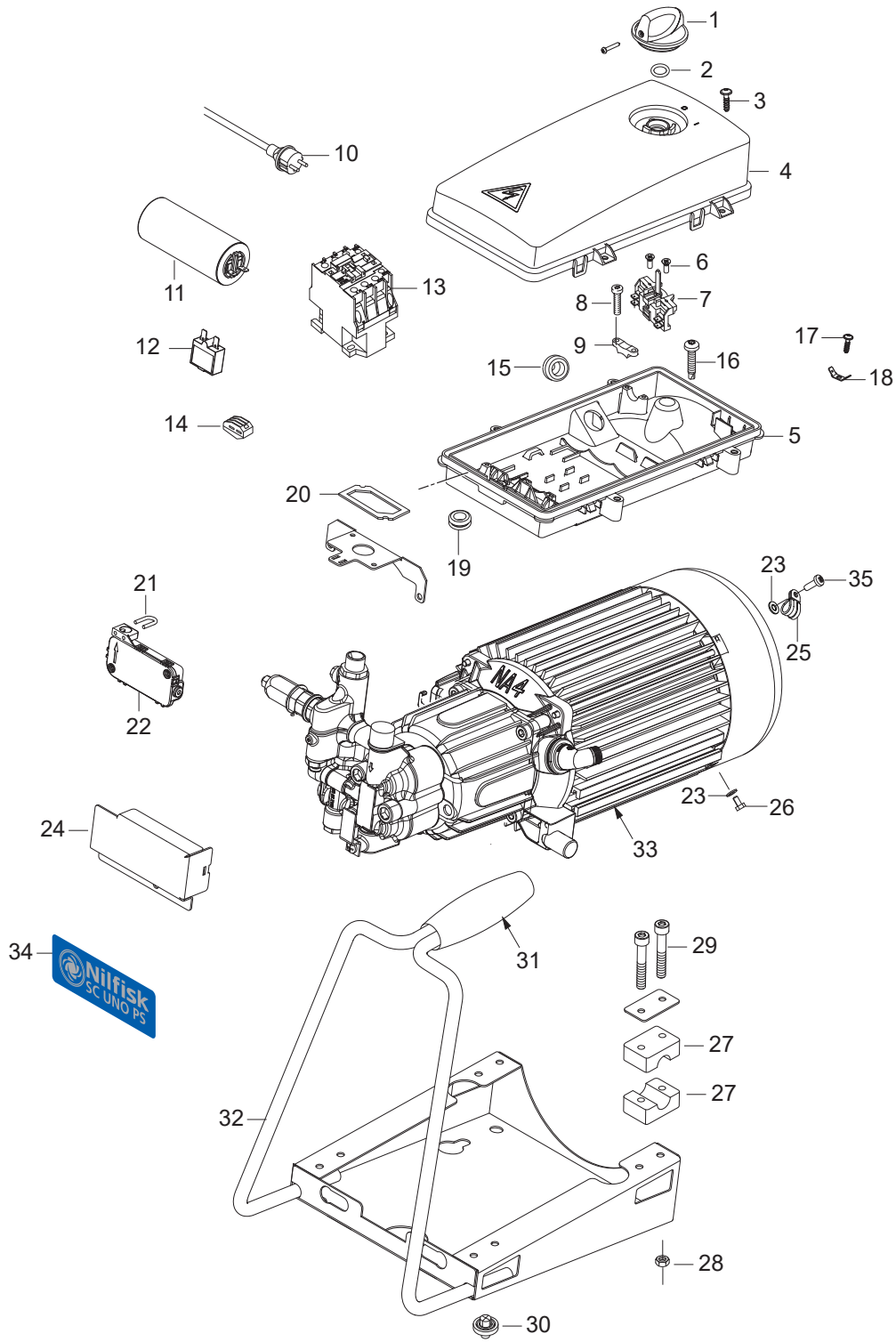


2026.02.23

NILFISK

TABLE OF CONTENTS

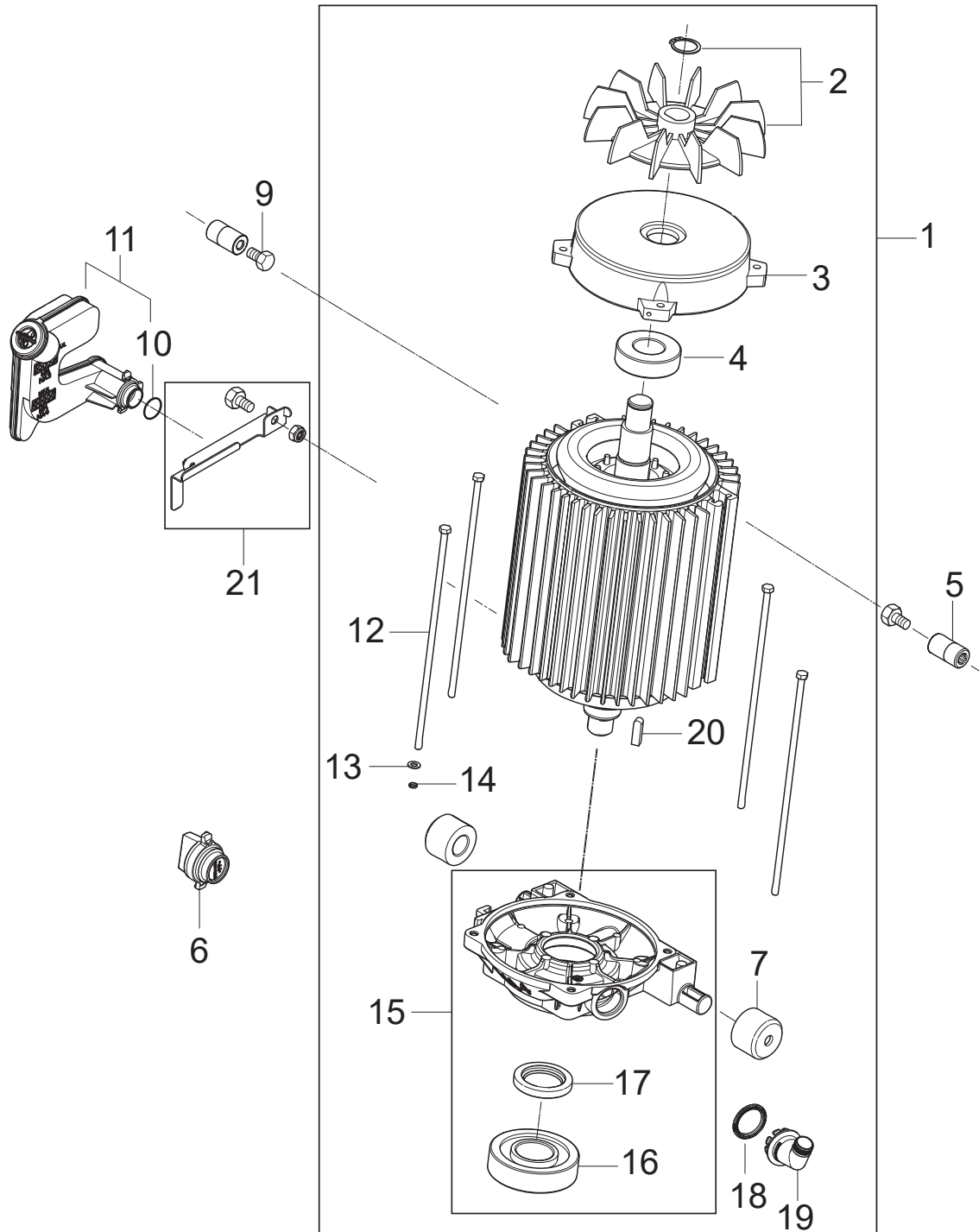
Overview UNO 4M.....1
Motor.....3
Pump.....5



Pos.	Artikel-Nr.	Menge	Variante	Notes
1	909100204	1	Drehknopf 6x5 blau	
1A	909100443	1	2x Schraube 3X16	
2	9868	1	O-Ring 10x2,5	
3	107141838	4	SCHRAUBE K50X18 WN1451 SCHWARZ TORX 20	
4	301002282	1	Deckel	
5	301002281	1	Gehäuse	
6	18274	2	Senkschraube M4x12	
7	301001058	1	Schalter	
8	909100443	2	2x Schraube 3X16	
9	3806262	1	Kabelschelle	
10	107142552	1	POWER CORD - H07RN-F 3G1.5X6M. CEE 7 1 P	[1]
10	107142553	1	POWER CORD - H07RN-F 4G1.5X6M. CEE 5 3 P	[2]
11	107141856	1	CAPACITOR 70UF 450V	[1]
12	301002322	1	Sicherung 16 A	[1]
13	103822300	1	Schütz CJX2-D12-V7 400V	[2]
14	301001229	1	Klemmleiste	[2]
15	301002284	1	Tülle	
16	107307305	1	SCREW ZEBRA PIAS PH 4.8X25	
17	107141838	1	SCHRAUBE K50X18 WN1451 SCHWARZ TORX 20	
18	107142559	1	FASTON TAB TERMINAL DOUBLE STUD 45°	
19	3803772	1	Tülle	
20	107307300	1	GASKET FOR E-BOX	
21	301003053	1	Bügel	
22	107142680	1	SWITCHBOX ASSEMBLY	
23	4021	4	Fächerscheibe 4,3 -A- DIN 6798 FSt/zn	
24	107307301	1	BRACKET FOR SWITCH	
25	107307307	1	FASTENING CLIP 10/12	
26	1804160	3	Schraube	
27	107307304	8	TUBE HOLDER D16	
28	11619	8	Sechskantmutter M6 ISO7042 A2K	
29	5100	8	Zylinderschraube M6x45	
30	107307302	4	PUSH FIT RIVET FOOD	
31	107307303	1	HANDLE GRIP	
32	107307306	1	FRAME WELDED P4	
33	107307308	1	FAN COVER FOR NA3/NA4	
34	107307363	1	FRONTLABEL SC UNO PS	
35	1802891	1	Schraube M4x12	

Part Notes:

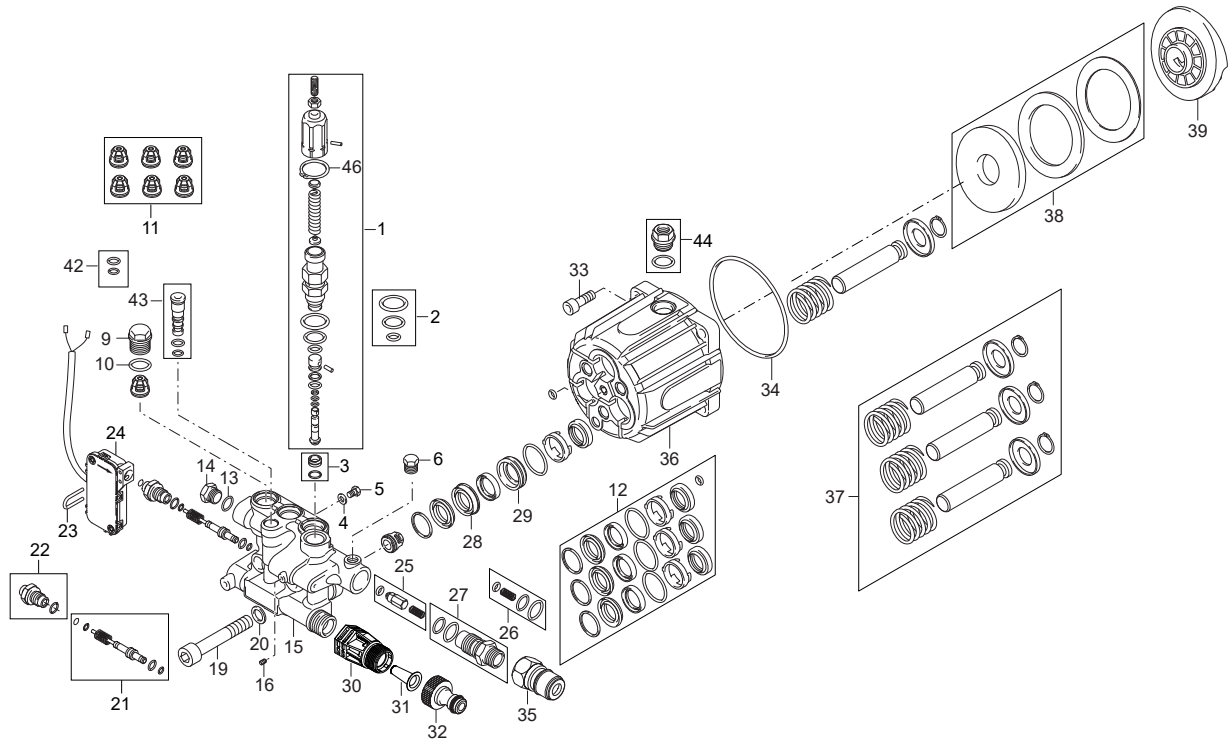
- [1] - Only 140/620 1ph
- [2] - Only 160/720 3ph



Pos.	Artikel-Nr.	Menge	Variante	Notes
0	31001082	1	OIL ROTRA MP 80W-90 1L	[1]
1	31001006	1	MOTOR NA4 - 2.2KW/230V/50HZ/1PH	[2]
1	31001010	1	MOTOR NA4 - 2.8KW/230/400V/50HZ/3PH	[3]
2	107145038	1	FAN INCL. SEAL V-RING	
3	107145037	1	N-BEARING COVER	
4	301003080	1	Lager 6205 ZZ	
5	107142544	2	NUT M8 X D17 X L31 INT. HEX 8	
6	31001039	1	OIL PLUG FOR NA3 AND NA4	
7	107142545	2	SUSPENSION D35 X D17 X L25	
9	2753	2	Sechskantschraube M8x 20 ISO 4017 zn	
10	107142589	1	SEAL ID 16.7XOD 21.2XW 5 NBR 70 SHORE A	
11	107142546	1	OIL CONTAINER MC 3-4	[4]
12	31000916	4	STAY BOLT M5X210	
12	31000917	4	STAY BOLT M5X230	
13	31000918	4	WASHER D5.5XD10 GB/T97.1 ISO7089	
14	31000919	4	LOCK RING D5.1XD7.7 GB/T93 DIN127	
15	31000926	1	D-BEARING COVER P3 INCL SEAL AND BEARING	
16	31001028	1	BEARING 7306	
17	301003078	1	Wellendichtring	
18	31000921	1	SEAL ID 23.4XOD 31 D 2/3.5	
19	31000922	1	CABLE GLAND 23.5 SNAPON 110 DEG	
20	101814798	1	Passfeder	
21	107142617	1	BRACKET OIL CONTAINER NA3-NA4 CPL.	

Part Notes:

- [1] - 0,39 L - OIL TYPES QUANTITY for HPW_APRIL 2017
TSB-PPW-2017-018 SC UNO 4M Oil filling information
- [2] - SC UNO 4M-140/620 PS *EU*
- [3] - SC UNO 4M-160/720 PS *EU*
- [4] - TSB-PPW-2017-018 SC UNO 4M Oil filling information



Pos.	Artikel-Nr.	Menge	Variante	Notes
1	31000978	1	REGULATION SAFETY BLOCK	
2	301003032	1	Dichtungssatz	
3	301003033	1	Ventilsitzring	
4	31000944	1	WASHER	
5	301003035	1	Verschlussschraube	
6	31000966	1	PLUG	
9	301003039	1	Verschlussschraube	
10	301003040	1	O-Ring 15,6X1,78	
11	31000576	1	VALVE KIT 6 PCS	
12	301003042	3	Dichtungssatz Kolben	[1]
13	301003043	1	O-Ring 10,82X1,78 820510	
14	301003044	1	Verschlussschraube	
15	301003045	1	Ventilblock	
16	301003046	1	Verschlussschraube	
19	301003049	1	SCREW M12X70 UNI 5931	
20	301003050	1	Zahnscheibe Ø12	
21	31001329	1	PISTON KIT FOR MICROSWITCH	
22	31000940	1	FITTING KIT FOR MICROSWITCH	
23	301003053	1	Bügel	
24	107142680	1	SWITCHBOX ASSEMBLY	
25	31000988	1	INJECTOR	
26	31000989	1	O-RING KIT FOR INJECTOR	
27	31000990	1	INJECTOR KIT	
28	301001559	1	Buchse	
29	301003059	1	Kolbenführung	
30	107142566	1	WASSEREINLASSSCHLAUCH	
31	101117926	1	Sieb	
32	1402809	1	Schlauchstutzen/Nippel	
33	301003063	1	Schraube 5x25	
34	31000973	1	O-RING D 94.92x2.62	
35	1600493	1	Anschlussstück	
36	31000972	1	PUMP BODY	
37	31000992	3	PISTON KIT D18	
38	31000993	1	BEARING KIT 1MM	
39	301003138	1	Taumelscheibe 11°30'	[2]
42	301003160	2	O-RING Satz	
43	301003073	1	Verschlussschraube	
44	31001000	1	PLUG KIT FOR PUMP BODY	
46	101117994	1	RETAINER RING Ø23 DIN 471	

Part Notes:

- [1] - TSB-PPW-2019-001 MC 4M MH 3M SC UNO 4M Pump oil leakage
 DE TSB-PPW-2019-001 MC 4M MH 3M SC UNO 4M Pumpenölverlust
 TSB-PPW-2019-001 Fuite d'huile pompe NA4
- [2] - 3ph

