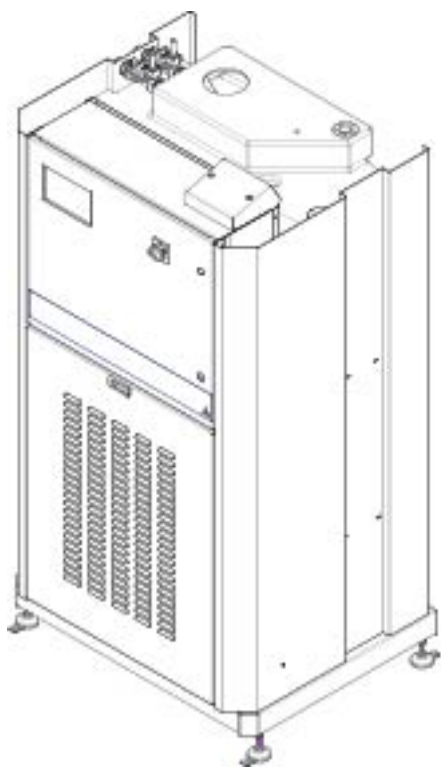


PARTS LIST

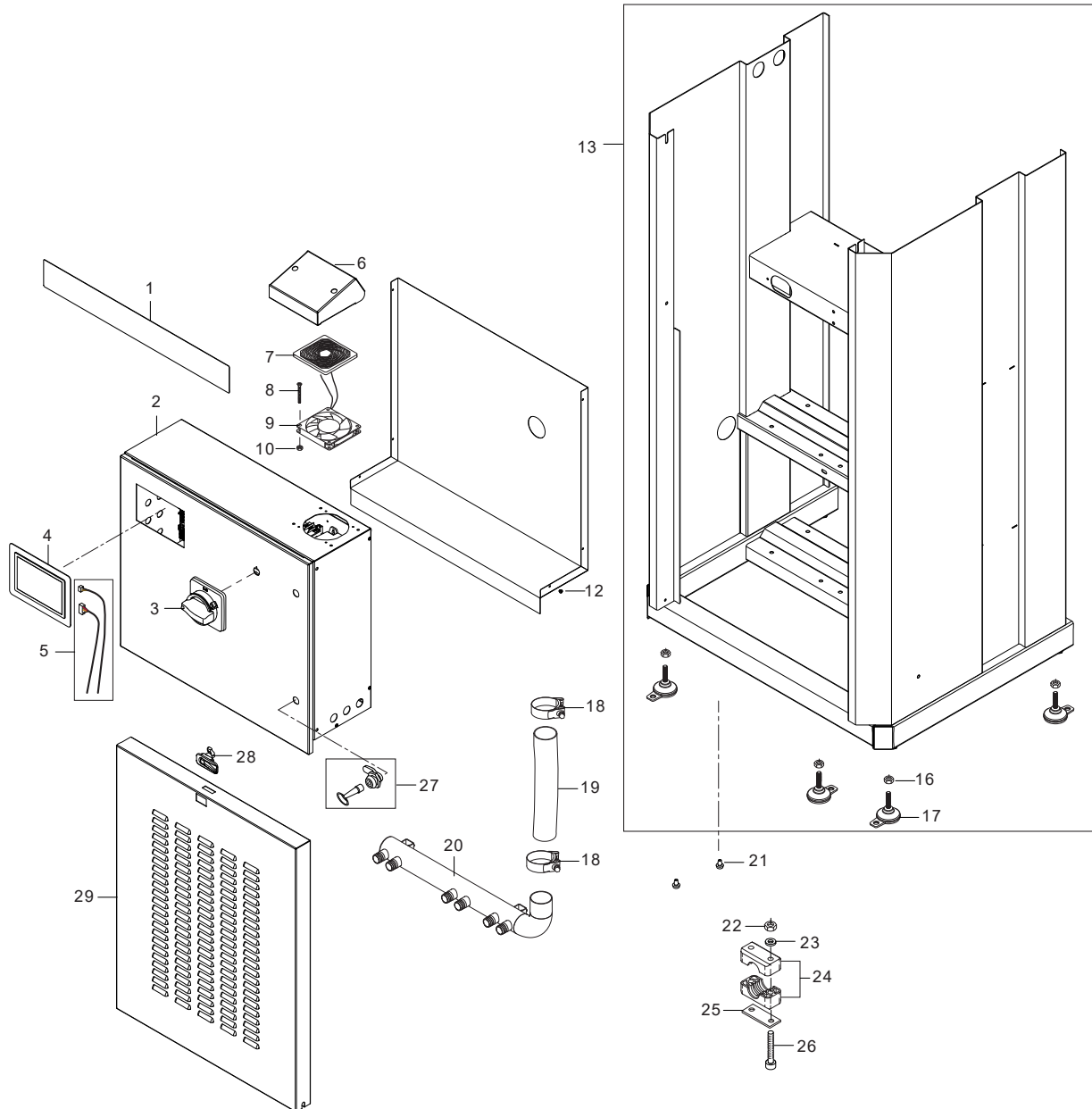


2025.08.29

NILFISK

TABLE OF CONTENTS

| | |
|---------------------------|----|
| Chassis | 1 |
| Manifold | 3 |
| Electric box | 5 |
| Motor | 7 |
| Cylinder block | 10 |
| Pressure relief | 12 |
| Water break tank | 14 |
| Default accessories | 16 |

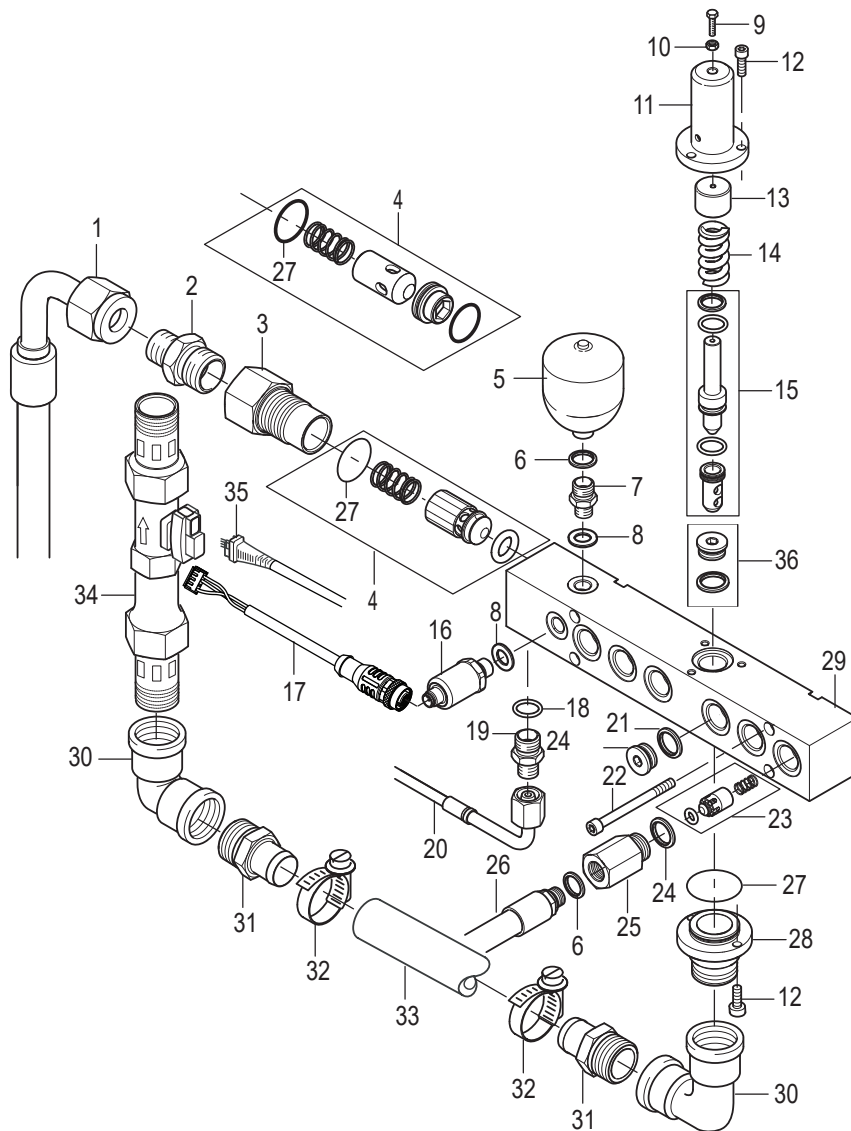


mal

| Pos. | Artikel-Nr. | Menge | Variante | Notes |
|------|-------------|-------|------------------------------------|-------|
| 1 | 107307405 | 1 | FRONTLABEL SC DELTA | |
| 2 | | 1 | Electric box | [1] |
| 3 | 107307406 | 1 | HANDLE PADLOCKABLE | |
| 4 | 107307407 | 1 | DISPLAY TOUCH | [2] |
| 5 | 107307408 | 1 | CABLE TOUCH DISPLAY | [2] |
| 6 | 107307409 | 1 | COVER FOR BOARD FAN OUTSIDE E-BOX. | |
| 7 | 107307411 | 1 | FILTER FOR BOARD FAN | |
| 8 | 107318103 | 4 | SCREW M4X40 DIN965-A | |
| 9 | 107307410 | 1 | BOARD FAN | |
| 10 | 1800127 | 4 | Gegenmutter | |
| 12 | 107307413 | 6 | POP RIVET D4.8X10.8 W/D9.5 A2 | |
| 13 | 107307454 | 1 | FRAME MOUNTED ON PALLET | |
| 16 | 1810068 | 4 | Mutter | |
| 17 | 107307415 | 4 | SUPPORTING BLOCK | |
| 18 | 107307416 | 2 | HOSE CLAMP S D68/D73 | |
| 19 | 107307417 | 1 | HOSE D60/D70 PVC | |
| 20 | 107307418 | 1 | PIPE INLET | |
| 21 | 107307419 | 1 | RUBBER FOOT D6X12 BLACK | |
| 22 | 33158 | 2 | Sechskantmutter M6 ISO7042 VA (A2) | |
| 23 | 1802917 | 2 | Scheibe D8,4xD18x2 DIN 6796 - A2 | |
| 24 | 1609298 | 1 | Rohrklammern 35 MM | |
| 25 | 7302022 | 1 | PLATE FOR 35 PIPE CLAMP | |
| 26 | 107307420 | 2 | SCREW M6X70 ISO4762 A2 | |
| 27 | 31001169 | 2 | LOCK & KEY | |
| 28 | 107307399 | 1 | LIFT AND TURN CAM LATCHES | |
| 29 | 107307421 | 1 | CABINET SS | |

Part Notes:

- [1] - Electric box
- [2] - TSB-PPW-2018-009 SC DELTA Display Freezing
DE TSB-PPW-2018-009 SC DELTA Display zeigt keine Reaktion

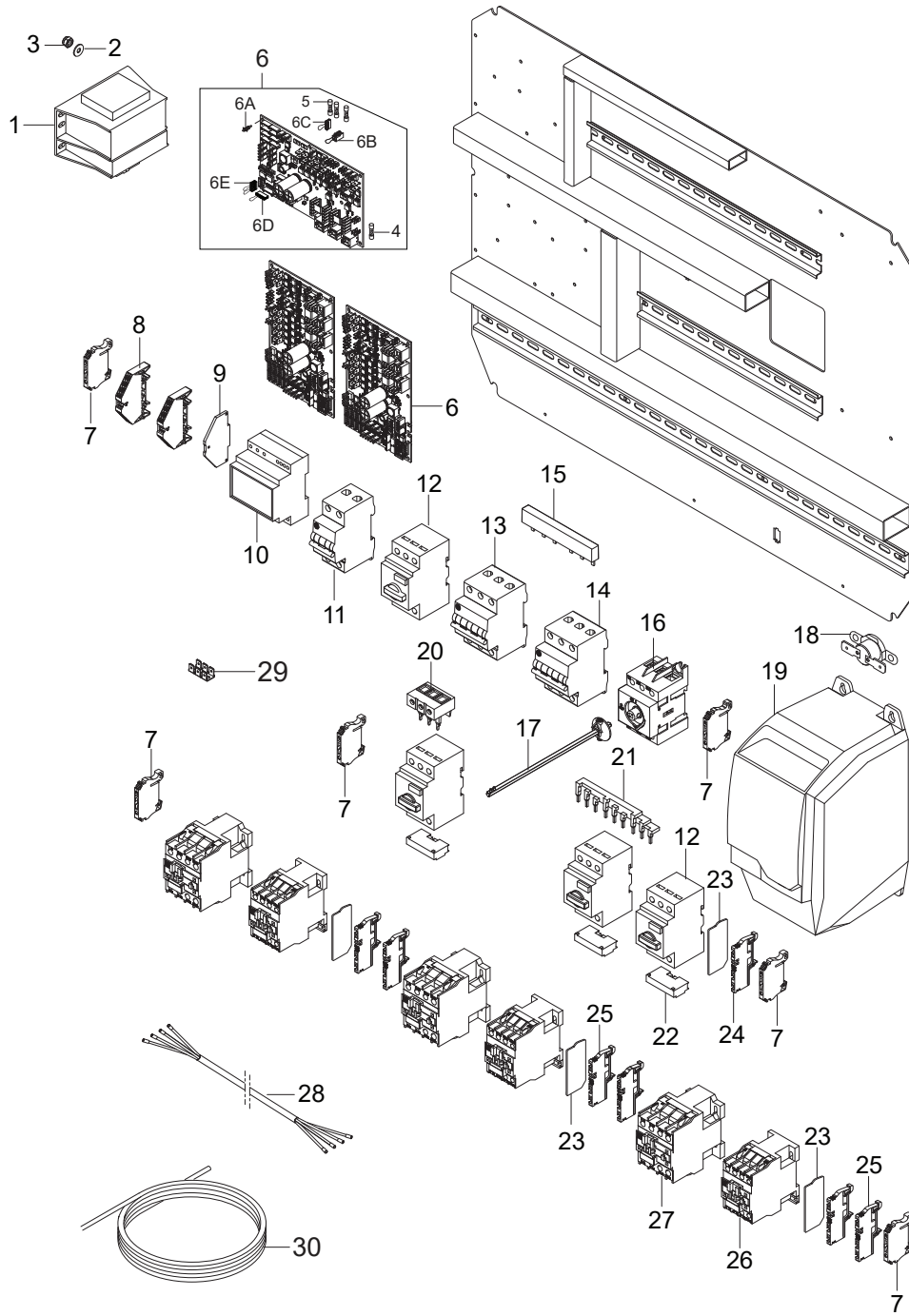


| Pos. | Artikel-Nr. | Menge | Variante | Notes |
|------|-------------|-------|--|-------|
| 1 | 107307402 | 1 | HOSE DN25X1.2M 2SC MAX WP 165 BAR | |
| 2 | 107307492 | 1 | MUFFE D28-L 1" | [1] |
| 3 | 107307493 | 1 | STOPFEN RÜCKSCHLAGVENTIL | [1] |
| 4 | 101118326 | 1 | PISTON FOR NON RETURN VALVE KIT | [1] |
| 5 | 4600575 | 1 | Hydrospeicher 0.45-175 M16 | |
| 6 | 1801075 | 2 | Dichtring | |
| 7 | 107307424 | 1 | NIPPLE HEX FOR PRESSURE ACCUMULATOR | |
| 8 | 1803493 | 2 | Dichtungsscheibe | |
| 9 | 1809961 | 1 | Bolzen M8x35 | |
| 10 | 1801905 | 1 | Mutter M8 | |
| 11 | 107307425 | 1 | HOUSE FOR SPRING | |
| 12 | 1814593 | 3 | SCREW M6X16 | |
| 13 | 107307384 | 1 | THRUST PLATE FOR OVERFLOW VALVE | |
| 14 | 107307396 | 1 | FEDER | [2] |
| 15 | 101118271 | 1 | BY-PASS VALVE KIT | |
| 16 | 107307344 | 1 | PRESSURE TRANSMITTER | [3] |
| 17 | 107307426 | 1 | M12X1 CONNECTOR W/CABLE | |
| 18 | 101814735 | 1 | Dichtring | |
| 19 | 1821 | 1 | Verbindungsstück | |
| 20 | 107307404 | 1 | HOSE FOR PRESSURE RELIEF DN2. COMPLETE | |
| 21 | G181419 | 1 | Stopfen 24X12 | |
| 22 | 1814634 | 4 | Schraube M6 x 50 | |
| 23 | 101118327 | 1 | RETAINING PRESSURE VALVE KIT | [1] |
| 24 | 1807932 | 6 | Dichtring | |
| 25 | 107307495 | 1 | GEHÄUSE RÜCKSCHLAGVENTIL | [1] |
| 26 | 107307401 | 3 | CONNECTION HOSE DN12 940MM. COMPLETE | |
| 26 | 107307400 | 1 | CONNECTION HOSE DN12 530MM. COMPLETE | |
| 27 | 107307428 | 1 | O-RING 33.05X1.78 NBR 70 SHORE | |
| 28 | 107307429 | 1 | PLUG FOR BY-PASS | |
| 29 | 107307494 | 1 | RÜCKSCHLAGVENTIL FÜR PUMPEN | [1] |
| 30 | 107307431 | 2 | ELBOW 90DEG FEM/FEM 1INCH | |
| 31 | 107307432 | 2 | FITTING FOR BY-PASS | |
| 32 | 1810225 | 2 | Schlauchselle | |
| 33 | 107307433 | 1 | HOSE MULTIFLEX 15 D25MMX50M SORT | |
| 34 | 107307434 | 1 | VORTEX FLOW SENSOR VFS 10 | |
| 35 | 107307435 | 1 | CABLE FOR VFS 10-200 FLOWSSENSOR | |
| 36 | 107302298 | 1 | MANIFOLD BUSHING SPPT | |

Part Notes:

- [1] - TSB-PPW-2020-010 SC DELTA Non-return valves in manifold changed
TSB-PPW-2020-010 Nouveau clapet anti-retour pour SC DELTA
DE TSB-PPW-2020-010 SC DELTA Änderung der Rückschlagventile im Verteiler
- [2] - The first SC Delta machine with coil spring in thr manifold:
Item No.: 107342006
Serial No.: 3520190500742

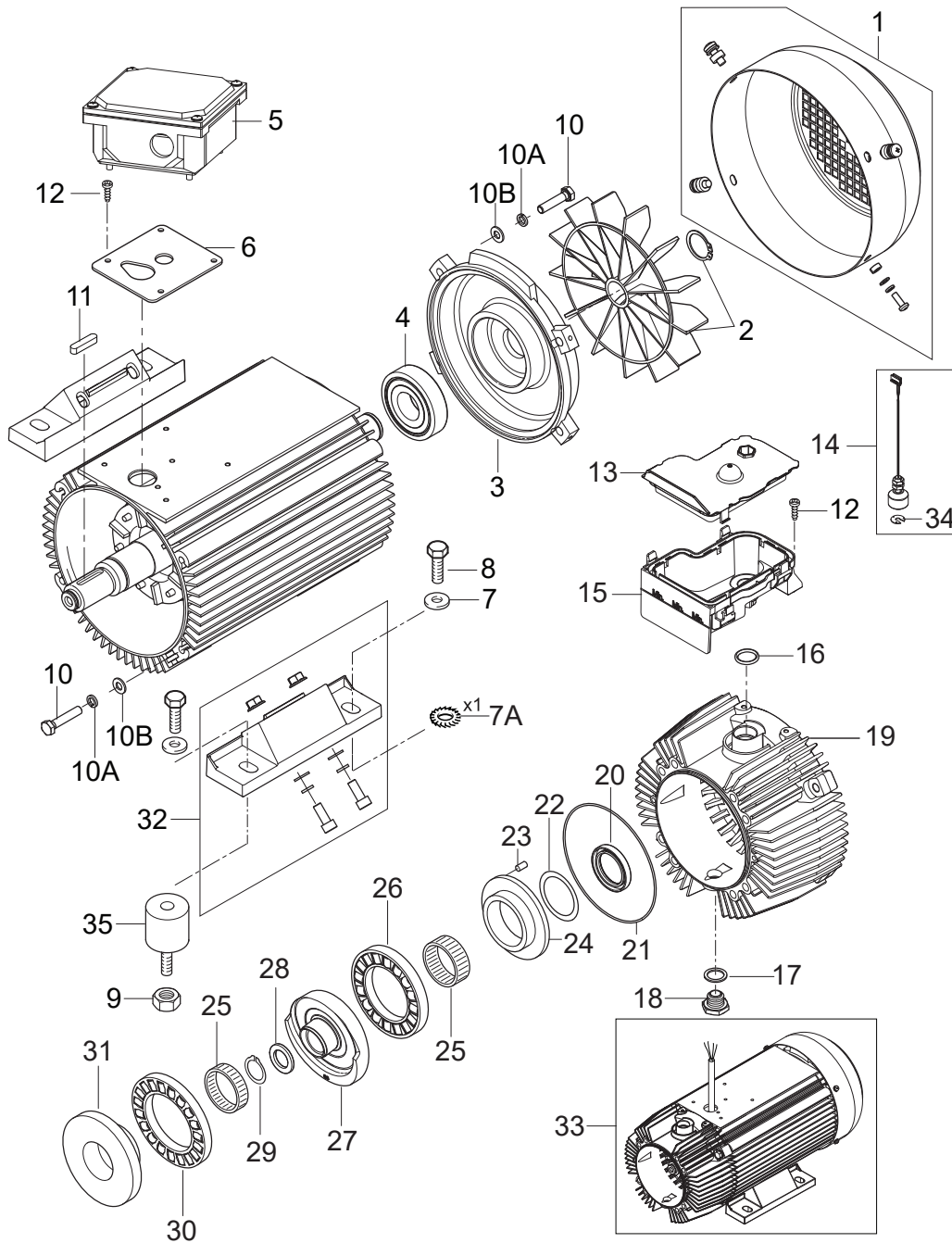
TSB-PPW-2019-004 SC DELTA Spring for by-pass valve changed
DE TSB-PPW-2019-004 SC DELTA Änderung am Bypassventil
- [3] - TSB-PPW-2017-013 SC DUO 7P Pressure Transmitter change
FR TSB-PPW-2017-013 SC DUO 7P Nouveau capteur de pression
DE TSB-PPW-2017-013 SC DUO 7P Änderung des Druckfühlers



| Pos. | Artikel-Nr. | Menge | Variante | Notes |
|------|-------------|-------|--|-------|
| 1 | 107307437 | 1 | TRAFO 100VA PR: 230-400-440.SEC1+2:100VA | |
| 2 | 5166 | 6 | Scheibe 5,3x1,6 A ISO 7093-1 zn | [1] |
| 3 | 1804285 | 6 | Sechskantmutter M5 | |
| 4 | 31001190 | 1 | FUSE 6.3A 5X20 MM 250V | |
| 6 | 101118236 | 3 | PCBA NEO PLATFORM 13 SC KIT W/O PROGRAM | |
| 6A | 107307320 | 8 | DOPPEL SICHERUNG 7MM/3.5M | |
| 6B | 107146536 | 1 | JUMPER JST VHR 2 POLE 1-2 | |
| 6C | 107146537 | 1 | JUMPER JST EHR 4 POLE 2-4 | |
| 6D | 107146538 | 1 | JUMPER JST EHR 2 POLE 1-2 | |
| 6E | 107146539 | 1 | JUMPER JST EHR 4 POLE 1-2 AND 3-4 | |
| 7 | 107318193 | 5 | END BRACKET FOR DIN-RAIL | |
| 8 | 107307438 | 2 | TERMINAL BLOCK PRV 4 SW 35X7.5 RT | |
| 9 | 107307439 | 1 | ENDPLATE PAP PRV/PPV4SW | |
| 10 | 107307440 | 1 | FLOW SENSOR INTERFACE CONVERTER | |
| 11 | 107307441 | 1 | CIRCUIT BREAKER 1A 2-POL | |
| 12 | 103823000 | 7 | CIRCUIT BREAKER (140MT-C3E-C20) | |
| 13 | 107307443 | 1 | CURCUIT BREAKER 63A 3-POL | |
| 14 | 107307444 | 1 | CIRCUIT BREAKER 50A 3-POL | |
| 15 | 107307445 | 1 | BUSBAR FOR CURCUIT BREAKER | |
| 16 | 107307446 | 1 | MAIN SWITCH 125A 3-POLET | |
| 17 | 107307447 | 1 | EXTENSION SHAFT | |
| 18 | 107307448 | 1 | KLIKSON 35DEG – CONNECTION 6.3MM FASTON | |
| 19 | 107307449 | 1 | INVERTER BFI-E2 11 KW - 24A | |
| 20 | 103823026 | 2 | SUPPLY TERMINAL 140MT-C-WTEN | |
| 21 | 107307451 | 1 | BUSBAR 45MM 3X3 | |
| 22 | 107307452 | 7 | AUX SWITCH AB | |
| 23 | 103822961 | 7 | END PLATE (AEP 3C 2.5) | |
| 24 | 103822963 | 1 | TERMINAL BLOCK PUSH IN (A3C 2.5 PE) | |
| 25 | 107318194 | 12 | TERM.BLOCK PUSH IN P-SER.PDU 2.5/4/3AN | |
| 26 | 103822306 | 6 | Schütz CJX2-D18-B7 24V | |
| 27 | 103822312 | 6 | CONTACTOR CJX2-D25-B7 24V | |
| 28 | 107307475 | 1 | MOTORCABLE NO.6 | |
| 28 | 107307474 | 1 | MOTORCABLE NO.5 | |
| 28 | 107307473 | 1 | MOTORCABLE NO.4 | |
| 28 | 107307472 | 1 | MOTORCABLE NO.3 | |
| 28 | 107307471 | 1 | MOTORKABEL NR. 2 | |
| 28 | 107307470 | 1 | MOTORCABLE NO.1 | |
| 29 | 107307326 | 1 | ERDUNGSANSCHLUSS 6 PIN | |
| 30 | 31001016 | 1 | REMOTE/JUNCTION BOX CABLE 25 M | |
| | 101221030 | | SERVICE TOOL BOX | |

Part Notes:

[1] - Subtype local item

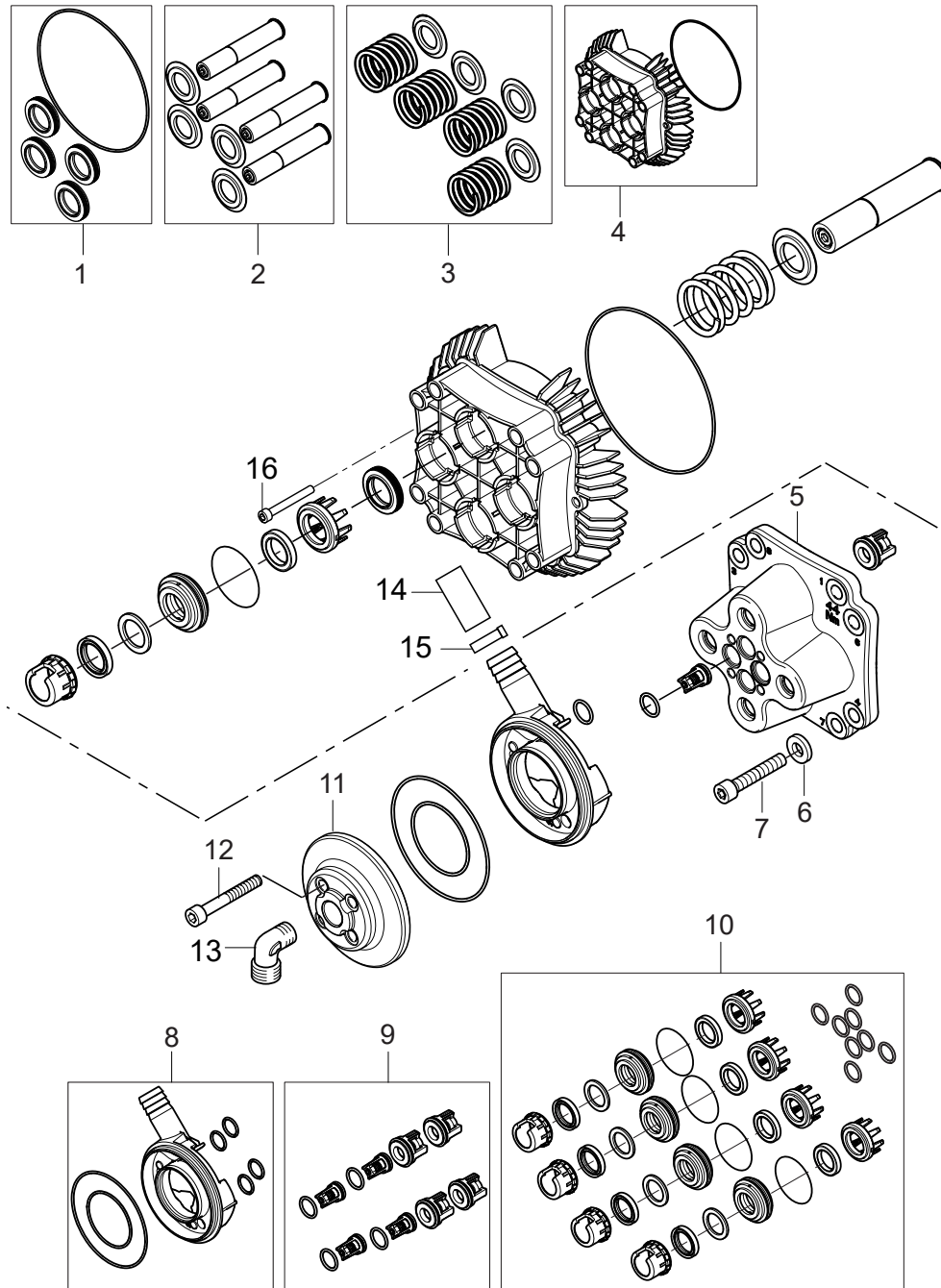


| Pos. | Artikel-Nr. | Menge | Variante | Notes |
|------|-------------|-------|--|-------|
| | 31001229 | 1 | OIL ISO 150 ALPHASYN-T 20L | |
| 0 | 5218433 | 1 | Pumpenöl 150 1x1l | |
| | 107307491 | 1 | MPU NA6 7.5KW 440/60/3/5.05D T. 200BAR | |
| | 107307490 | 1 | MPU NA6 7.5KW 440/60/3/5.05D B. 200BAR | |
| | 107307489 | 1 | MPU NA6 7.5KW 440/60/3/5.8D T. 160BAR | |
| | 107307488 | 1 | MPU NA6 7.5KW 440/60/3/5.8D B. 160BAR | |
| | 107307487 | 1 | MPU NA6 7.5KW 400/50/3/7.05° F. 160BAR | |
| | 107307486 | 1 | MPU NA6 7.5KW 400/50/3/7.05D B. 160BAR | |
| | 107307485 | 1 | MPU NA6 7.5KW 400/50/3/11.02D T. 100BAR | |
| | 107307484 | 1 | MPU NA6 7.5KW 400/50/3/11.02D B. 100BAR | |
| 1 | 107144628 | 1 | FAN COVER LARGE | |
| 2 | 107142275 | 1 | FAN AND RETAINING RING | |
| 3 | 31000148 | 1 | Lagerdeckel | |
| 4 | 31000149 | 1 | Lager RF | |
| 5 | 107307453 | 1 | E-BOX FOR MP NA6 | |
| 5A | 107140881 | 6 | SCREW M5X12 DIN 7985 TORX | |
| 6 | 107140875 | 1 | Dichtung | [1] |
| 7 | 107307315 | 7 | PLAIN WASHER 10.5X22X1.25 | |
| 7A | 10204 | 1 | Fächerscheibe 10,5 -A- DIN 6798 FSt/zn | |
| 8 | 9097462000 | 4 | SCREW M10X25 HEX HD F/THD SS ISO4017 | [2] |
| 9 | 1800465 | 4 | Mutter M10 | |
| 9 | 1802966 | 4 | Mutter M10 | |
| 10 | 6863 | 8 | Zylinderschraube M8x 35 ISO4762 8.8 zn | |
| 10A | 2798 | 8 | Federring 8 | |
| 10B | 2762 | 8 | Scheibe 8,4x1,6 ISO 7089 zn | |
| 11 | 107140880 | 1 | KEY 6X6X32 A DIN 6885 | |
| 12 | 4820 | 6 | Zylinderschraube M5x10 | |
| 13 | 107140877 | 1 | Deckel | |
| 14 | 101118309 | 1 | OIL SENSOR W/PLUG KIT SC DELTA | |
| 15 | 107143094 | 1 | OIL CONTAINER BOTTOM | |
| 16 | 107140882 | 1 | O-Ring 15,0 x 3,0 | |
| 17 | 106408208 | 1 | KUPFERDICHTRING 17X25X1.5 | |
| 18 | 6150400 | 1 | Verschlusspfropfen | |
| 19 | 101118067 | 1 | Lagerdeckel | |
| 20 | 3001146 | 1 | Wellendichtring | |
| 21 | 106408215 | 1 | O-RING 126.71 X 1.78 NBR 72 | |
| 22 | 6100995 | 1 | Scheibe 53x40,5x1,25 | |
| 23 | 6100996 | 1 | Kegelstift | |
| 24 | 107120703 | 1 | Lagerscheibe Motorseitig | |
| 25 | 3200656 | 2 | Nadellager K40x45x17 | |
| 26 | 3200615 | 1 | Axialrollenlager | |
| 27 | 106408213 | 1 | Taumelscheibe 7.05DEG | [3] |
| 27 | 106408212 | 1 | Taumelscheibe Poliert 5,8 DEG | [4] |
| 27 | 106408211 | 1 | WOBBLE DISC POLISHED 5.05DEG | [5] |
| 27 | 106408268 | 1 | WOBBLE DISC POLISHED 11.02DEG. | [6] |
| 28 | 106408204 | 1 | Scheibe D32 x D20.1 x 3 Stahl | |
| 29 | 1802057 | 1 | Seegerring U 20 x1,2 | |
| 30 | 106408206 | 1 | CYL. ROLLER BEARING K81 212-TV AX. D11 | |
| 31 | 106408207 | 1 | BEARING TRACK THRUST | |
| 32 | 106408249 | 1 | FEET FOR MOTOR | |
| 33 | 107144627 | 1 | MOTOR NA6-7.5KW/230/400V/50HZ/3PH XL FAN | [7] |
| 34 | 107142593 | 1 | HOLDING WASHER PE | |
| 35 | 107318092 | 4 | Vibrationsdämpfer M10 | |

Part Notes:

- [1] - TSB-PPW-2018-012 NA5_NA6 mpu. Water enters into the stator.
[2] - GUARANTEE DATE EXPIRED
[3] - SC DELTA 6P (all except SC DELTA 6P 160/6000-4 440/3/60 EXPT)
Machine no. 107342000, 107342002, 107342005

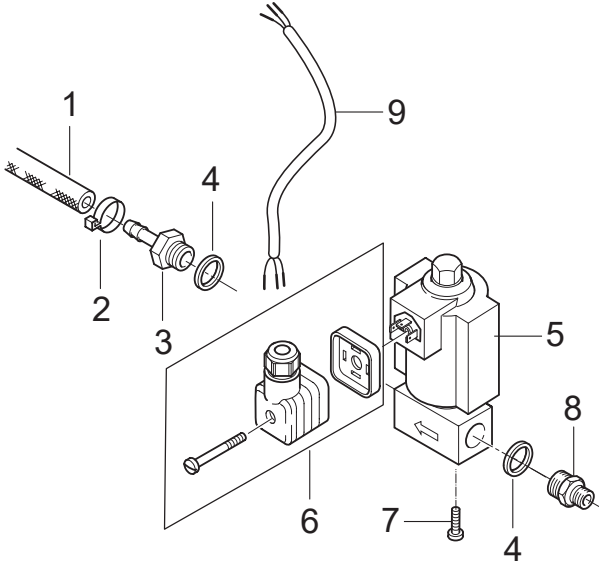
- [4] - TSB-PPW-2019-007 C3 NA6 Wobble Disc and Bearing Track surface hardening change
SC DELTA 6P 160/6000-4 440/3/60 EXPT
Machine no. 107342003, 107342006
- [5] - TSB-PPW-2019-007 C3 NA6 Wobble Disc and Bearing Track surface hardening change
UNITOR
Machine no. 107342010, 107342011, 107342012
- [6] - SC DELTA 8P
Machine no. 107342001, 107342004, 107342007
- [7] - SC DELTA 6P 400/3/50 EU, SC DELTA 6P 440/3/60 EXPT,
SC DELTA 8P 400/3/50 EU, UNITOR



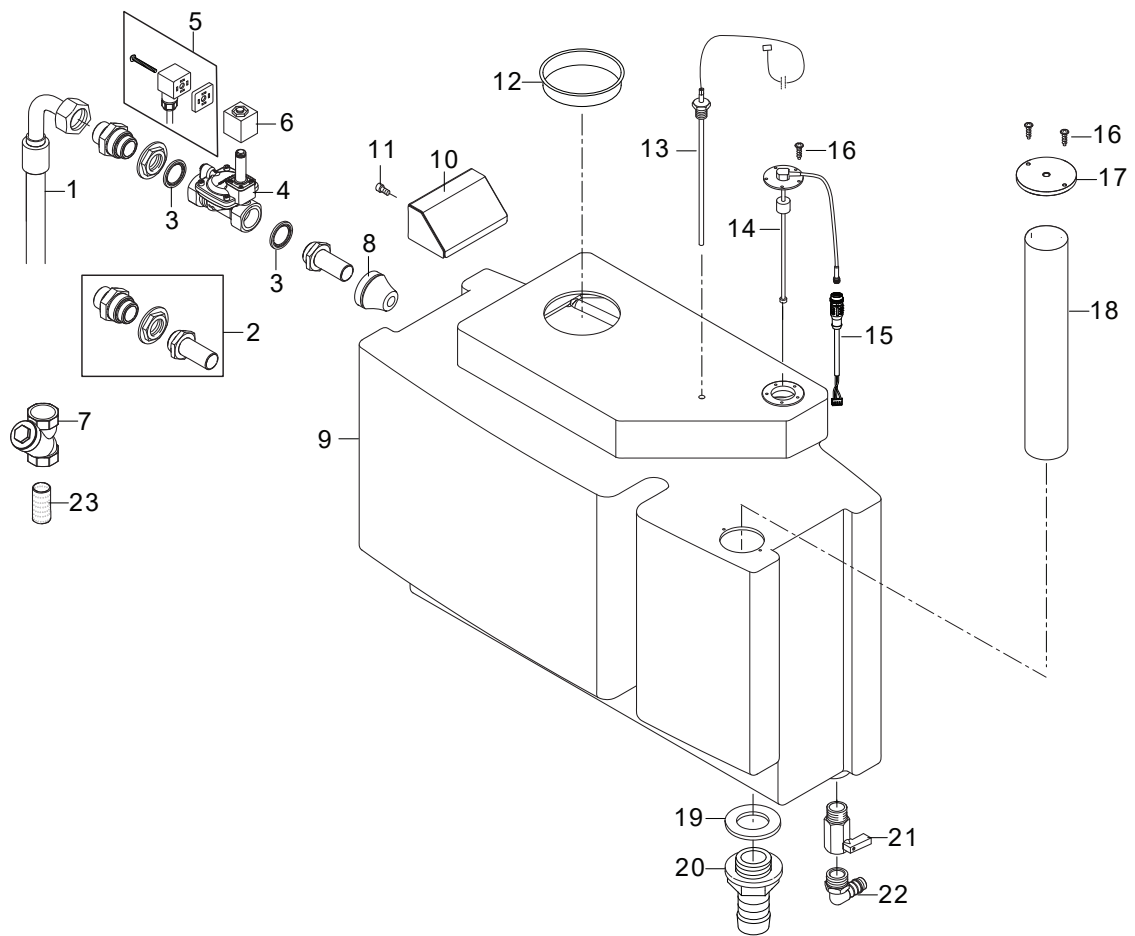
| Pos. | Artikel-Nr. | Menge | Variante | Notes |
|------|-------------|-------|--|-------|
| 1 | 101118057 | 1 | SEAL KIT FOR CYLINDER BLOCK NA6 | |
| 2 | 101118281 | 1 | PISTON KIT NA6 CL12 | [1] |
| 2 | 101118066 | 1 | Kolbensatz NA6 Pumpe | [2] |
| 2 | 101118065 | 1 | Kolbensatz mit Markierung NA6 6-79 6-61F | [3] |
| 3 | 101118059 | 1 | Rückhohlfedern Satz NA& Pumpe | |
| 4 | 101118060 | 1 | Zylinderblock NA6 Pumpe | |
| 5 | 106408197 | 1 | Pumpenkopf D24 NA6 | |
| 6 | 2767 | 8 | Scheibe 10,5x2,0 ISO 7090 zn | |
| 7 | 1813393 | 8 | Schraube M10 x100 8.8 | |
| 8 | 101118268 | 1 | INLET MANIFOLD - 1INCH KIT | |
| 9 | 101118062 | 1 | Kit Ein-/Auslassventil - NA6 | |
| 10 | 101118276 | 1 | WASSER DICHTUNGSSET - NA6 | [4] |
| 10 | 101118325 | 1 | WATER SEAL NA6 H.D.LONG LIFE HOT WAT.KIT | |
| 11 | 107307455 | 1 | MANIFOLD OUTLET NA6 | |
| 12 | 9543 | 4 | Schraube M8 X 55 8.8 | |
| 13 | 107307456 | 1 | ELBOW COUPLING 90DEG 15-L 1/2INCH | |
| 14 | 107307433 | 1 | HOSE MULTIFLEX 15 D25MMX50M SORT | |
| 15 | 1810225 | 1 | Schlauchschelle | |
| 16 | 31410 | 2 | SHR ZYL- M6X 50 | |

Part Notes:

- [1] - SC DELTA 8P 100/7500
SC DELTA 8P 100/10000
SC DELTA 8P 100/15000
- [2] - SC DELTA 6P 160/6000-4 440/3/60 EXPT
SC DELTA 6P 160/9000-6 440/3/60 EXPT
UNITOR SC DELTA 6P
- [3] - SC DELTA 6P 160/4500
SC DELTA 6P 160/6000
SC DELTA 6P 160/9000
- [4] - Implementation date: July 2017
Serial Number: 3520172701255
TSB-PPW-2017-017 NA6_NA6plus Water Seal Kit changes
DE TSB-PPW-2017-017 NA6 und NA6 Wasserdichtungskit Überarbeitung
FR TSB-PPW-2017-017 Changement des kit joints d'eau pompe NA6



| Pos. | Artikel-Nr. | Menge | Variante | Notes |
|------|-------------|-------|---|-------|
| 1 | 4973 | 1 | Schlauch 6x3 mm x 1 m | |
| 2 | 1807593 | 1 | Schelle 7-13 mm, Rostfrei | |
| 3 | 1608512 | 1 | Schlauchstutzen 1/4 B5 | |
| 4 | 1803493 | 2 | Dichtungsscheibe | |
| 5 | 107307436 | 1 | SOLENOID VALVE NC 2/2-WAY 1/4 24V 50HZ | |
| 6 | 107307397 | 1 | VALVE PLUG CABLE | |
| 7 | 19647 | 2 | Schraube M6 X 10 | |
| 8 | 1600410 | 1 | Verschraubung | |
| 9 | 107307391 | 1 | CABLE FOR 107307436 SOLENOID (24V 50Hz) | |



| Pos. | Artikel-Nr. | Menge | Variante | Notes |
|------|-------------|-------|---|-------|
| 1 | 107307403 | 1 | HOSE DN25X1M 1SC MAX. WP 88 BAR | |
| 2 | 101118274 | 1 | FITTING INLET/OUTLET KIT | |
| 3 | 107307457 | 2 | SEALING WASHER HP 1INCH | |
| 4 | 107307458 | 1 | SOLENOID VALVE NC 2/2-WAY | |
| 5 | 107307397 | 1 | VALVE PLUG CABLE | |
| 6 | 3808151 | 1 | Spule 24V, 50Hz | |
| 7 | 107307398 | 1 | DIRT TRAP 1 1/4INCH BSPP BRASS | |
| 8 | 107307459 | 2 | CABLE GROMMET TET 20-26C D38 EPDM BLACK | |
| 9 | 107307460 | 1 | WATER BREAK TANK | |
| 10 | 107307461 | 1 | PLATE FOR INLET | |
| 11 | 107146528 | 5 | Schraube M5X12 ISO 14583-A2 TORX | |
| 12 | 104601176 | 1 | Revisionsabdeckung | |
| 13 | 107307462 | 1 | SENSOR PT 100 | |
| 14 | 107307463 | 1 | WATER LEVEL SENSOR 550 MM | |
| 15 | 107307426 | 1 | M12X1 CONNECTOR W/CABLE | |
| 16 | 1814614 | 7 | Schraube 5x18 | |
| 17 | 107307464 | 1 | FITTING FOR FILTER | |
| 18 | 107307465 | 1 | FILTER FOR WBT | |
| 19 | 107307466 | 1 | SEAL EXT. THREAD 2INCH | |
| 20 | 107307467 | 1 | HOSESTUD D60X2INCH | |
| 21 | 107307468 | 1 | MINI BALLVALVE MALE/FEM 3/4 | |
| 22 | 107307469 | 1 | HOSE TAIL ELBOW D16X3/4INCH | |
| 23 | 31001191 | 1 | FILTER F/DIRT TRAP | |

**No
Diagram
Available**

**Parts List
Only**

| Pos. | Artikel-Nr. | Menge | Variante | Notes |
|------|-------------|-------|-----------------------------------|-------|
| 1 | 107371041 | 1 | OPTION FEED PUMP | [1] |
| 2 | 107371042 | 1 | OPTION COLD/HOT INLET MIX. | [1] |
| 3 | 107371043 | 1 | OPTION REMOTE CONTROL | [1] |
| 4 | 107371050 | 1 | ACCESSORY REMOTE SYSTEM STATUS | [2] |
| 4A | 107307476 | 1 | CABLE FOR REMOTE SYSTEM STATUS | [3] |
| 5 | 107371052 | 1 | ACCESSORY COLD/HOT INLET MIX. | [4] |
| 6 | 107371053 | 1 | ACCESSORY REMOTE CONTROL | [5] |
| 7 | 106403122 | 1 | ERGO 2000 STANDARD W. HOSE SWIVEL | |
| 8 | 106402191 | 1 | Sprühgriff Variopress | |
| 10 | | 1 | Lances | [6] |

Part Notes:

- [1] - Option
- [2] - MI - 107309179 Remote Systems Status
- [3] - Part of 107371050
- [4] - 107371052 Cold-hot inlet mix
- [5] - MI - 107309168 Remote Control (SC UNO - SC DUO)
- [6] - 106403206, 106403207, 106403208, 106403209, 106403210 - Single lance 30, 60 and 160bar
106403201, 106403202, 106403203, 106403204 - Single lance 100bar

