

# PARTS LIST



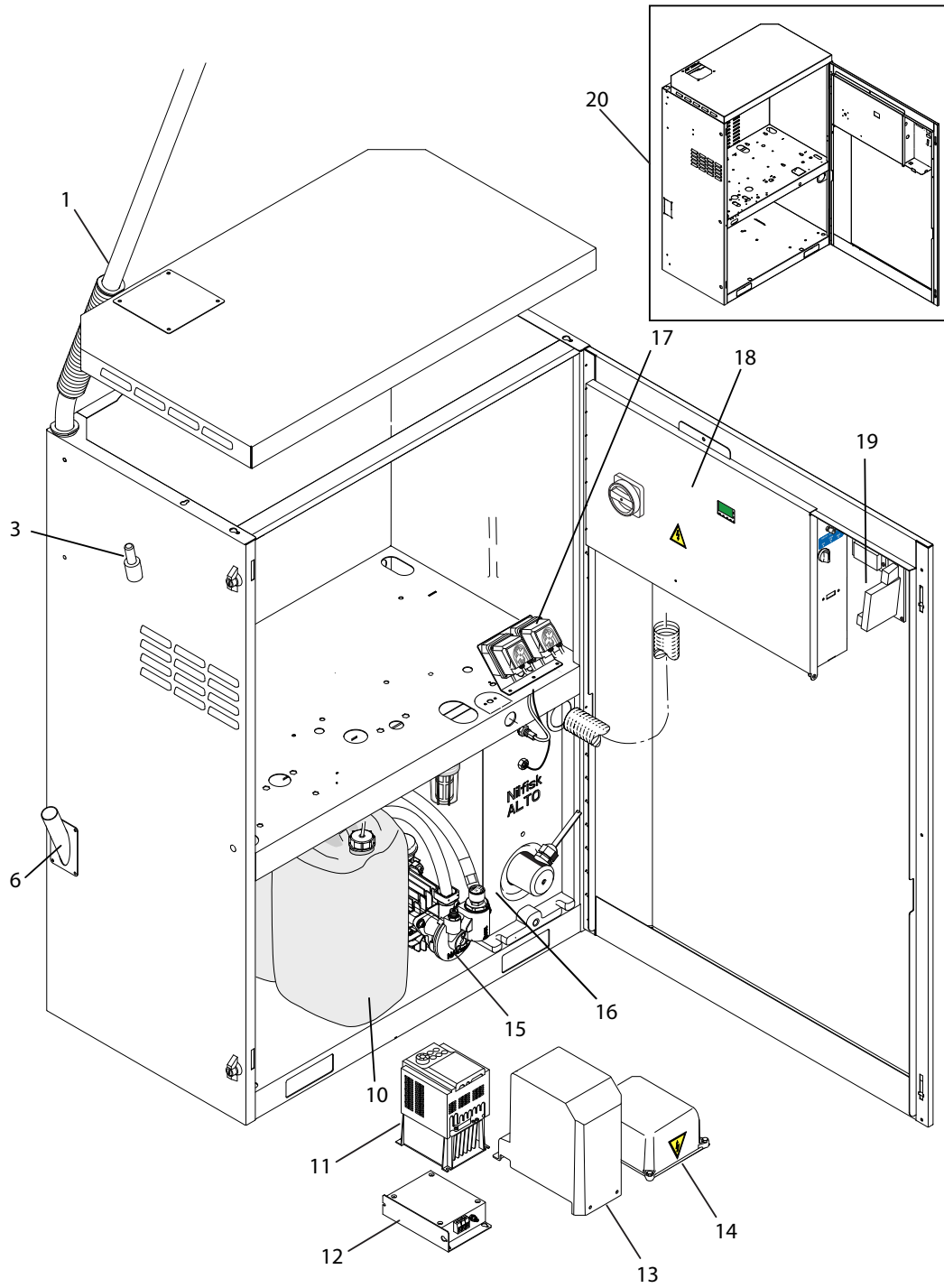
2025.08.28

# NILFISK

# TABLE OF CONTENTS

---

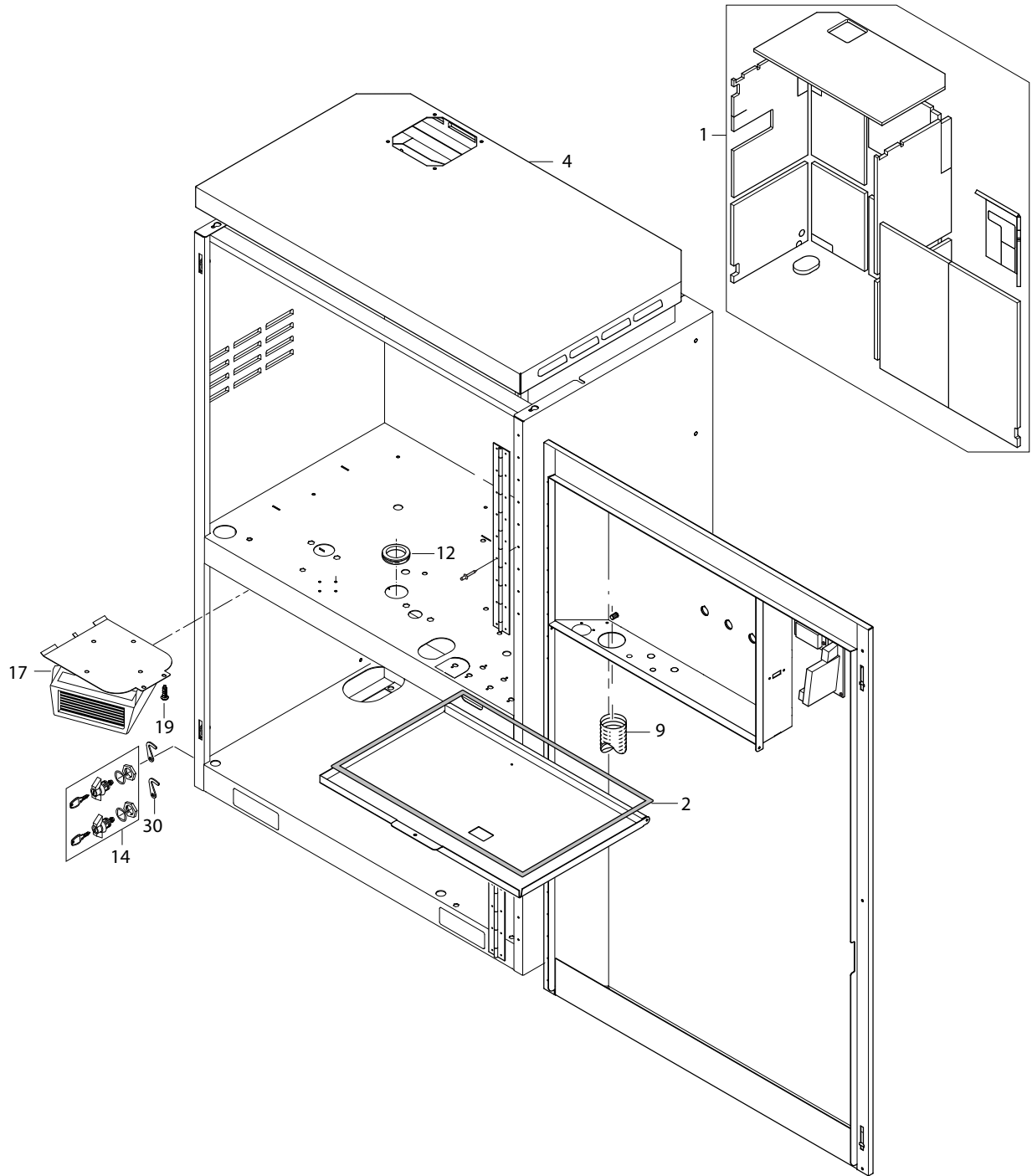
Overview1 E .....	1
Overview 2 .....	3
Chemical pumps E .....	5
Door with coin acceptor .....	7
Electric box E .....	9
Electrical components E .....	11
Motor pump .....	13
Cylinder block .....	15
101118324 - NA5.2 Pump kit .....	17
Water inlet_ easystart .....	19
Water flow regulation E .....	21
Heating tank E .....	23
Wash boom .....	25
Recommended spare parts .....	27
106403193 - Auto Booster brush 2013 .....	29
107370970 - Water softening equipment .....	31
107370968 - Coin counter .....	33



Pos.	Artikel-Nr.	Menge	Variante	Notes
1		1	Wash boom	[1]
3	107313069	1	Bürstenhalter gefräst	
6	107313067	1	Sprührohrhalter	
7	301001276	1	Tülle	
10	2005718	1	BEHALTER 25 L, BLAU	
11	107318256	1	INVERTER FR-D740-080-EC 5HZ W. PROGRAM	[2]
11	107318242	1	UMRICHTER FR-D740-080-EC 2HZ MIT PROGR.	
12	107318239	1	EMC FILTER FOR INVERTER	
13	107318240	1	COVER FOR FREQUENCY INVERTER	
14		1	EI-box	[3]
15		1	Motor pump unit	[4]
16		1	Heating tank	[5]
17		2	Chemical pumps	[6]
18		1	Electrical parts	[7]
19		1	Door with coin acceptor	[8]
20	107318247	1	GEHAEUSE KOMPLETT AUTO/TRUCK B.	

Part Notes:

- [1] - Go to Wash boom
- [2] - The first Auto Booster with the venting valve is:  
 Item no.: 107370882  
 Serial No.: 3520161500118
- [3] - See EI-box E
- [4] - See Motor pump, Cylinder head, Water inlet\_ easystart, Water flow regulation E
- [5] - See Heating tank E
- [6] - See Chemical pumps E
- [7] - See Electric parts E
- [8] - See Door with coin acceptor

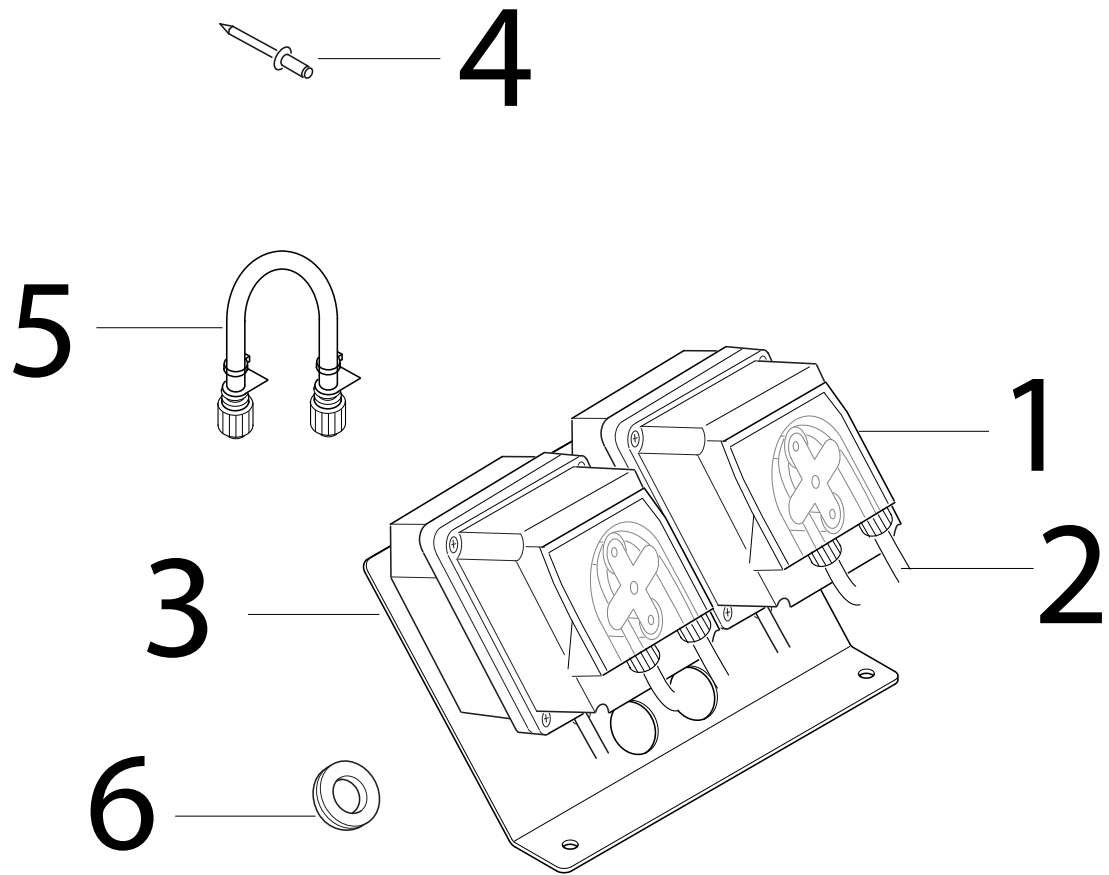


Pos.	Artikel-Nr.	Menge	Variante	Notes
1	107318029	1	Isolierung TRUCK-/AUTO	
2	106268068	1	Dichtungsset	[1]
4	107313231	1	Gehäusedeckel	
9	5226305	1	Flex Schlauch 46/60 grau	
12	103004331	1	SLEEVE PVC 45/ 60	
14	101814750	1	2x Schloss mit je 4x Schlüssel	
17	107316095	1	Heizgebläse	
19	4814109	3	SCREW 8X16 STAINLESS STEEL	
30	107313217	1	Hakenverriegelung	

Part Notes:

[1] - L=6,5M

AUTO BOOSTER E



Pos.	Artikel-Nr.	Menge	Variante	Notes
1	103822213	2	Chemiepumpe	
2	107318062	1	Silikonschlauch 5 Meter	
3	107313288	1	HALTEPLATTE FUER DOSIERPUMPEN	
4	1814128	11	BIFURCATED RIVET 4X10.3 1	
5	103822265	1	Schlauch für Chemiepumpe	
6	3001427	2	Kabeldurchführung	

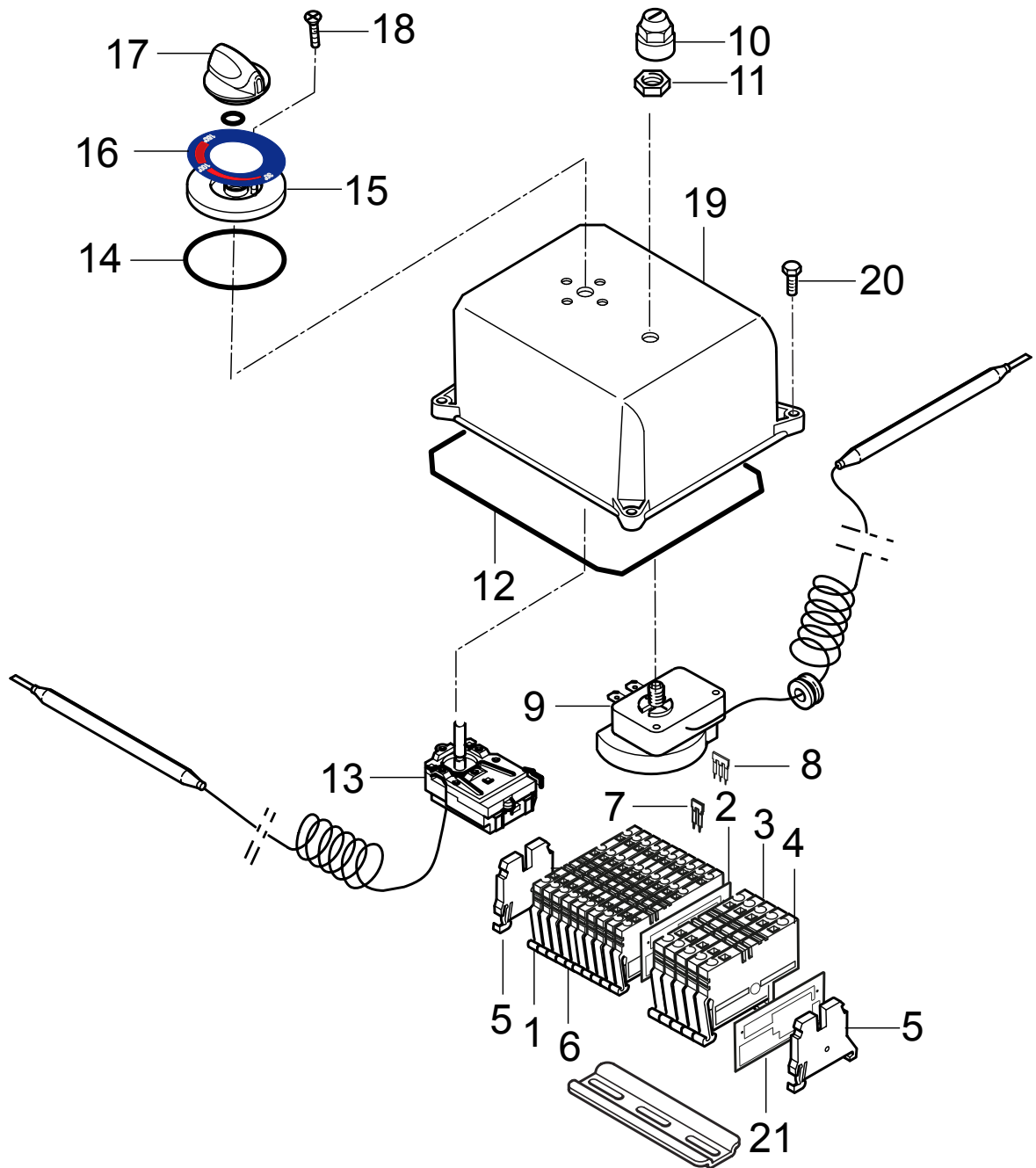


Pos.	Artikel-Nr.	Menge	Variante	Notes
1	107318183	1	FRONTLABEL AND COIN ON/OFF/FREE 2 IN 1	
2	107318184	1	CABLE FOR COIN SYSTEM K826/400 MM	
3	107318185	1	Münzprüfer	
4	106268068	1	Dichtungssset	[1]
5	107318186	1	DISPLAY D801.00	
6	107318187	1	START SWITCH/LIGHT BLOCK NO CONTACT	
7	107318188	1	Einschalt Knopf Grün	
8	103822028	1	Klappdeckel für Münzeinwurf AUTO BOOSTER	
9	107319145	1	LABEL KIT FOR COIN UNIT	
10	33421	1	Geldkassette für SB STATION/TANDEM vorm.	
11	909100206	1	Drehknopf 6x5 (Blau)	
13	107318234	1	SWITCH 6 POL WITH 0-10VDC/ANALOG SIGNAL	

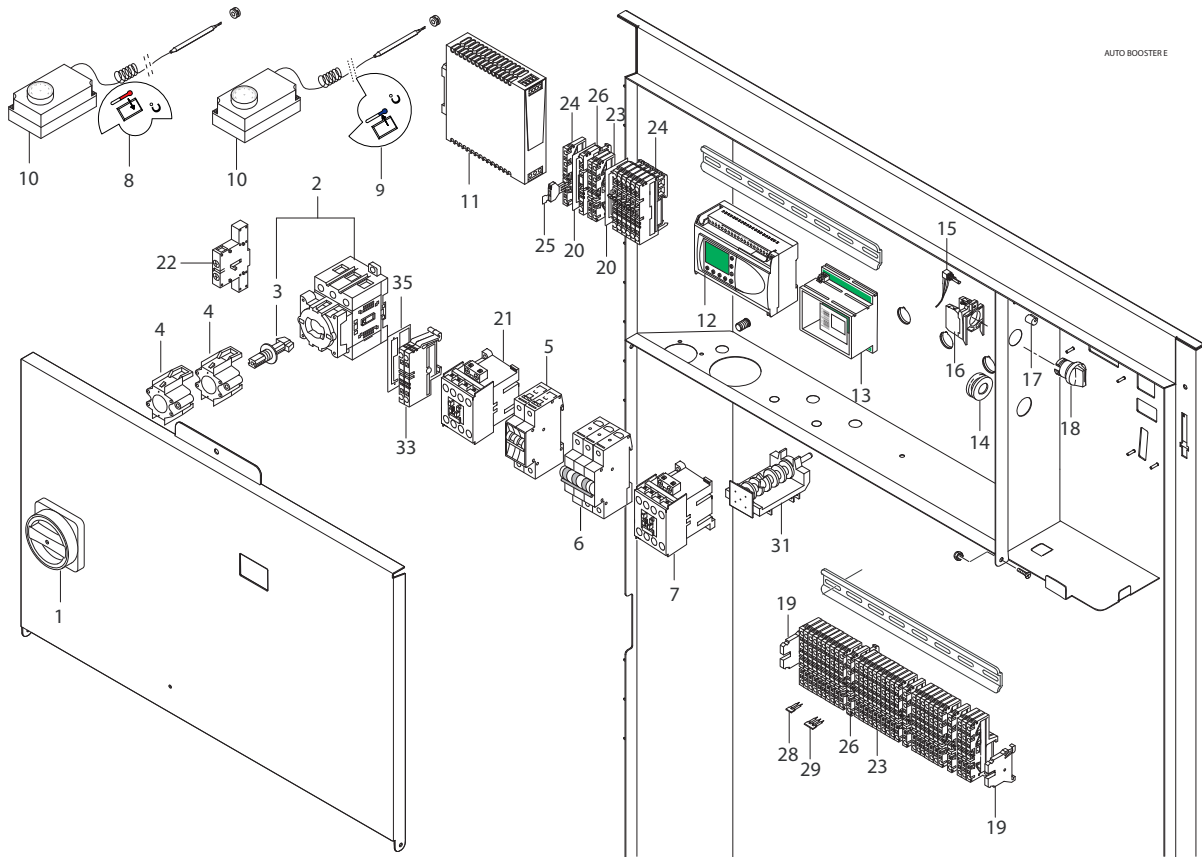
## Part Notes:

[1] - L=6,5M

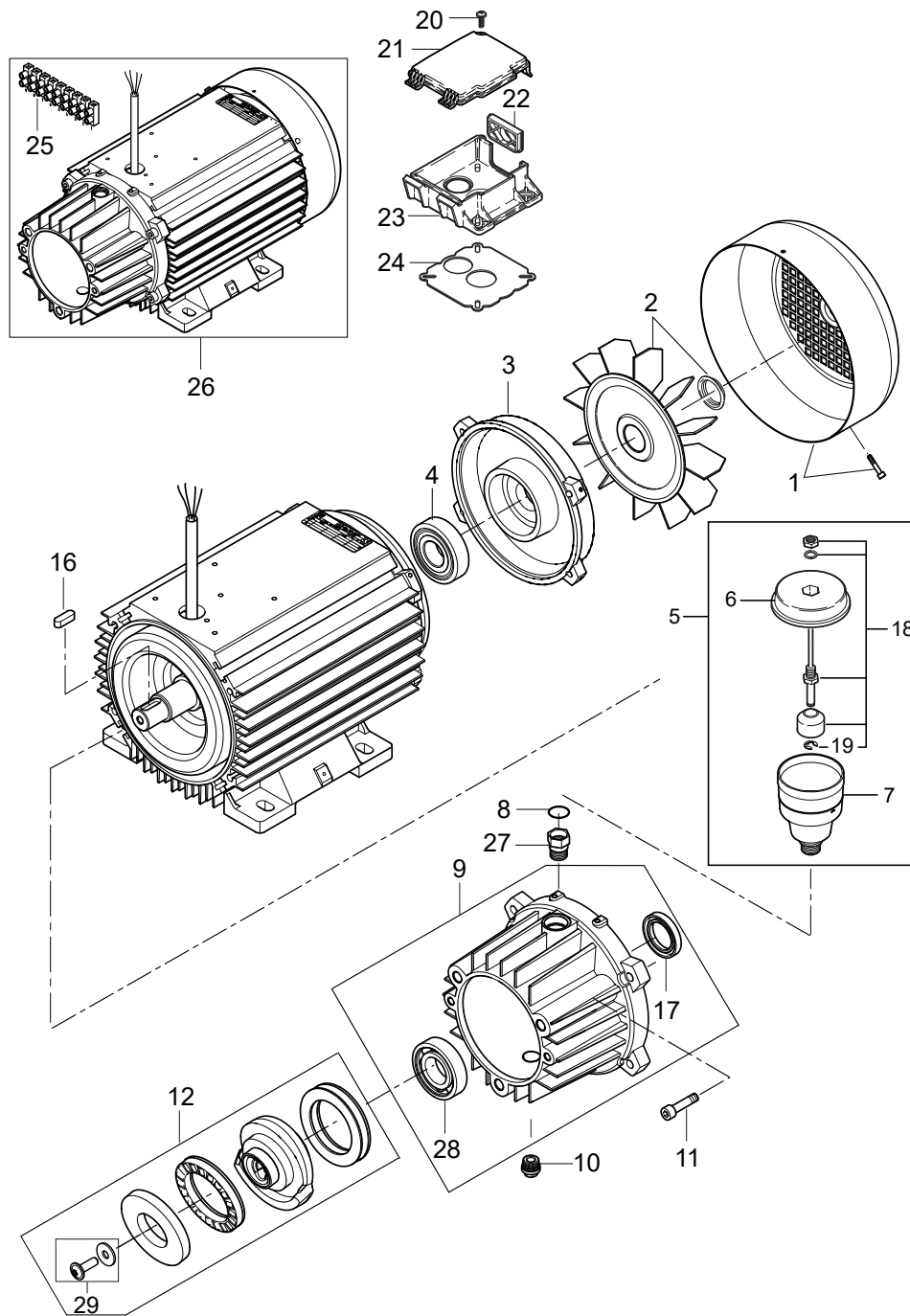
AUTO BOOSTER E



Pos.	Artikel-Nr.	Menge	Variante	Notes
1	103822963	1	TERMINAL BLOCK PUSH IN (A3C 2.5 PE)	
2	103822961	1	END PLATE (AEP 3C 2.5)	
3	103822975	1	TERMINAL BLOCK 'PUSH IN' A2C 6	
4	103822964	1	TERMINAL BLOCK PUSH IN (A2C 6 PE)	
5	107318193	2	END BRACKET FOR DIN-RAIL	
6	107318194	1	TERM.BLOCK PUSH IN P-SER.PDU 2.5/4/3AN	
7	107318195	1	CROSS CONNECTOR 2.5/2-POL	
8	107318196	1	CROSS CONNECTOR 2.5/3-POL	
9	101118278	1	SAFETY THERMOSTAT 97 DEG 6K KIT	
10	34970	1	Kappe f. Temp.-Begrenzer	
11	47313	1	Mutter M10x1x3	
12	101406054	1	Dichtung	
13	107318151	1	Thermostat 20-60	
13	107318152	1	Thermostat 20-53GR	
14	3001443	1	O-Ring	
15	107313045	1	Socket kpl.	
16	107319139	1	Scala für Thermostat	
17	909100204	1	Drehknopf 6x5 blau	
18	1804822	4	Schraube M4x16	
19	107316093	1	EL-BOX. MACHINED. AUTO E12	
20	1801612	4	Schraube	
21	107318238	1	END PLATE PAP 6/10	



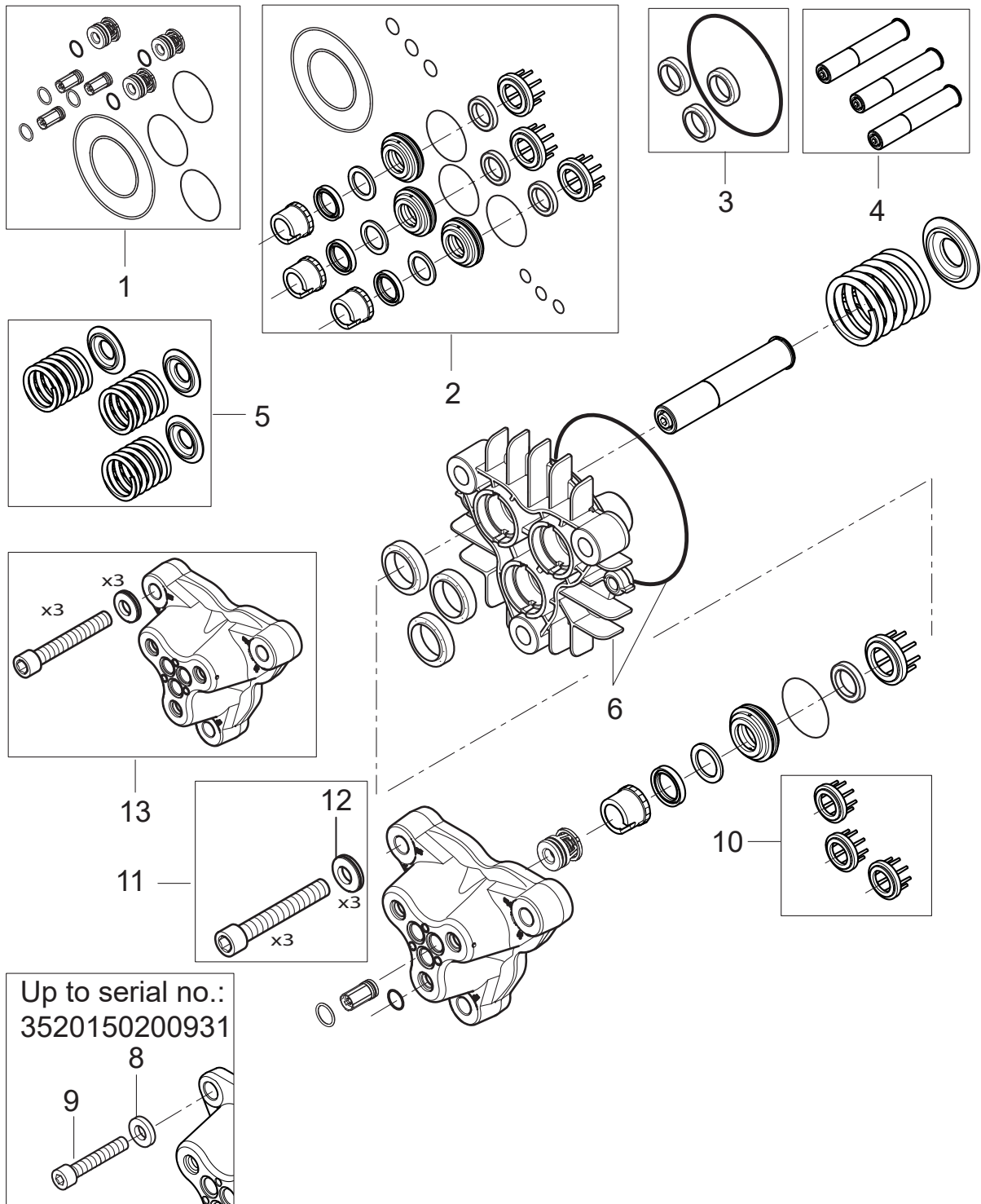
Pos.	Artikel-Nr.	Menge	Variante	Notes
1	3830121	1	Griff für Hauptschalter	
2	103821908	1	Hauptschalter 63A	
3	103821960	1	Achse für Hauptschalter	
4	103821907	2	Wellenerweiterung	
5	103822011	1	Safety device AEG C10 1P-N	
6	107318212	1	OVERCURRENT RELAY 3-POL 20A 10KA	
7	107318213	1	CONTACTOR 100-C16EJ01	
8	107319168	1	Aufkleber f. Sicherheits-	
9	107319169	1	Aufkleber f. Sicherheits-	
10	103822056	2	Thermostat -35- 35C	
11	107318217	1	POWERSUPPLY 100-264VAC/24VDC 3A	
12	107318214	1	PLC W/program AUTO BOOSTER E(BARRACUDA)	
13	107318220	1	POWERSUPPLY FOR COIN N 820.06/24VDC	
14	107318235	1	RUBBER PLUG 25 BLACK	
15	107318221	1	POTENTIONMETER MOUNTED	
16	103822074	1	Kontakt	
17	107318222	1	PUSH-ON KNOB 11MM/6MMD/WH	
18	103822073	1	Drehschalter	
19	107318193	1	END BRACKET FOR DIN-RAIL	
20	103822961	1	END PLATE (AEP 3C 2.5)	
21	103822304	1	Schütz CJX2-D18 18A 230V 3P+NO	
22	107318225	1	Hilfsschalter	
23	107318194	1	TERM.BLOCK PUSH IN P-SER.PDU 2.5/4/3AN	
24	103822966	1	TERMINAL BLOCK PUSH IN (ADT 2.5 2C)	
25	107318228	1	COMPONENT PLUG W/RESISTANCE 24K MOUNTED	
26	103822963	1	TERMINAL BLOCK PUSH IN (A3C 2.5 PE)	
28	107318195	1	CROSS CONNECTOR 2.5/2-POL	
29	107318196	1	CROSS CONNECTOR 2.5/3-POL	
31	107318234	1	SWITCH 6 POL WITH 0-10VDC/ANALOG SIGNAL	
33	103822975	2	TERMINAL BLOCK 'PUSH IN' A2C 6	
35	107318238	1	END PLATE PAP 6/10	



Pos.	Artikel-Nr.	Menge	Variante	Notes
0	200060	1	Öl Schmier- SAE 1Liter 1	[1]
1	107144126	1	Lüfterhaube	[2]
1	107144127	1	Motorabdeckung - EME	[3]
2	107144124	1	Sicherungsring Luefterrad	[4]
2	107144125	1	Lüfterrad	[2]
3	31000148	1	Lagerdeckel	[2]
3	31000150	1	Lagerabdeckung EME	[4]
4	31000149	1	Lager RF	[2]
4	31000151	1	Hinteres Lager EME	[4]
5	301000616	1	Füllstandsanzeige Pumpenöl	
6	301000615	1	Deckel	
7	301000614	1	Öltank	
8	56554	1	O-Ring 14x1,78	
9	107141967	1	D-BEARING COVER COMPLETE NA5.2	[5]
10	107141982	1	OIL PLUG W/O-RING AND MAGNET NA5.2	
11	107144142	1	Schraube für Pumpengehäus	
12	101118247	1	WOBBLE DISC 8.7 DEG. BEARING KIT NA5.2	[5]
16	19639	1	Passfeder A 8x7x25	
17	G120414	1	Dichtring Ø30XØ47X7	
18	301001196	1	Schwimmerschalter	
19	107142593	1	HOLDING WASHER PE	[6]
20	10028	1	Ejotschraube KA50x14 WN1411 verz	
21	301000782	1	Deckel	
22	17106	1	Abschlussdeckel	
23	301000781	1	Rahmen	
24	301000845	1	Dichtung	
25	101117839	1	Klemmleiste	
26	107141980	1	MOTOR 4KW 230/400/220/440 3/50/60 NA5.2	
27	107318154	1	FITTING FOR OIL CUP	
28	107144817	1	BEARING KBC 6206 GB/T818	
29	107142658	1	NA5.2 WD SCREW AND WASHER	

Part Notes:

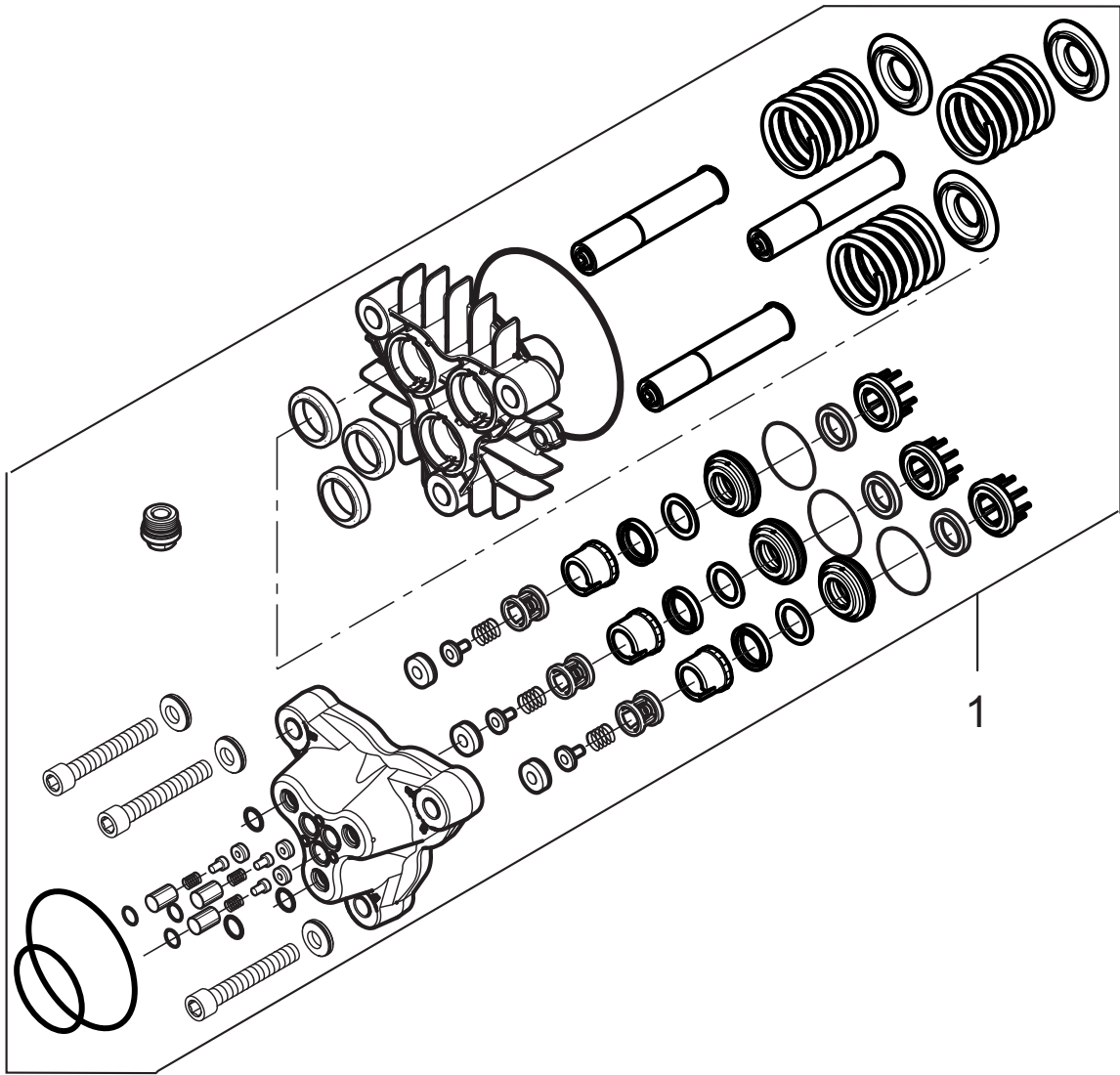
- [1] - 0,45 L - OIL TYPES\_QUANTITY for HPW\_APRIL 2017
- [2] - RF – has Nilfisk letter on the motor type plate
- [3] - GUARANTEE DATE EXPIRED  
 EME – has EME letter on the motor type plate
- [4] - EME – has EME letter on the motor type plate
- [5] - TSB-PPW-2015-002 NA5.2 Pump Information
- [6] - TSB-PPW-2016-017 Locking ring for oil level switch falling off



Pos.	Artikel-Nr.	Menge	Variante	Notes
1	107144100	1	Ventilsatz NA 5	
2	101118323	1	Wasserdichtungssatz	[1]
3	107144102	1	Dichtungssatz Kolben	
4	101118239	1	PISTON KIT - NA5.2	
5	107144104	1	Satz Feder	
6	107141983	1	CYLINDER BLOCK W/ O-RING NA5.2	[2]
8	107141727	3	Beilagscheibe D13	[2]
9	107141513	3	Zylinderkopfschr M12x65	[2]
10	107140919	1	SUPPORT RING NA5 SPARE VPE 3	
11	107141969	3	WASHER NLX12SP D12.5XD25.4X4.2MM	[2]
12	107141968	1	CYL.SCREW M12X80 WITH NORDLOCK WASHER	[2]
13	107141985	1	CYLINDER HEAD NA5.2 W. SCREWS WASHERS	[2]

## Part Notes:

- [1] - TSB-PPW-2020-003 NA5 pump THRUST COLLAR changed  
 DE TSB-PPW-2020-003 NA5 Pumpe - Änderung der Druckringe  
 TSB-PPW-2020-003 Nouvelles bagues laiton pour pompe NA5
- [2] - TSB-PPW-2015-002 NA5.2 Pump Information

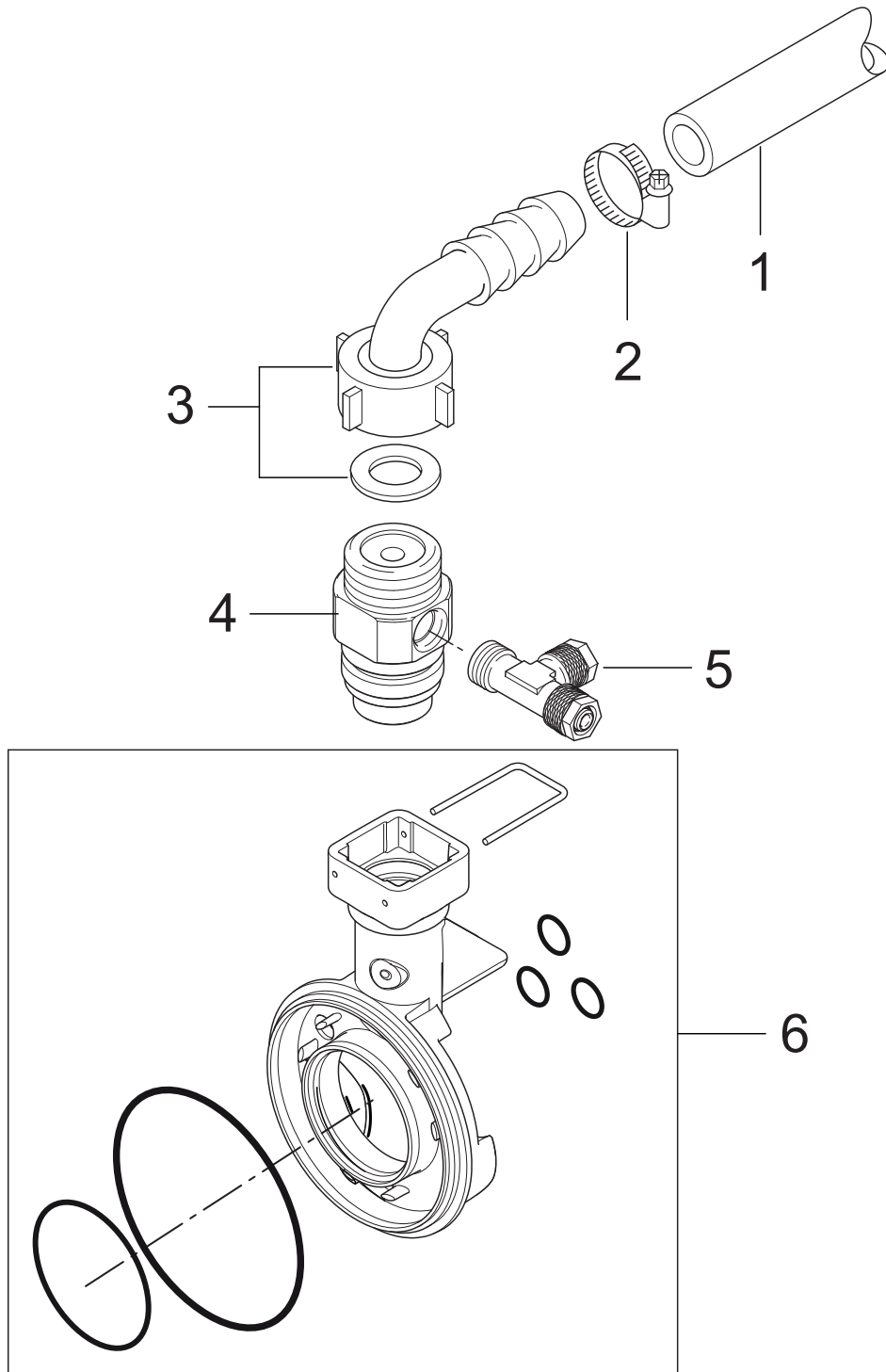


---

Pos.	Artikel-Nr.	Menge	Variante	Notes
1	101118324	1	PUMP KIT NA5.2	[1]

## Part Notes:

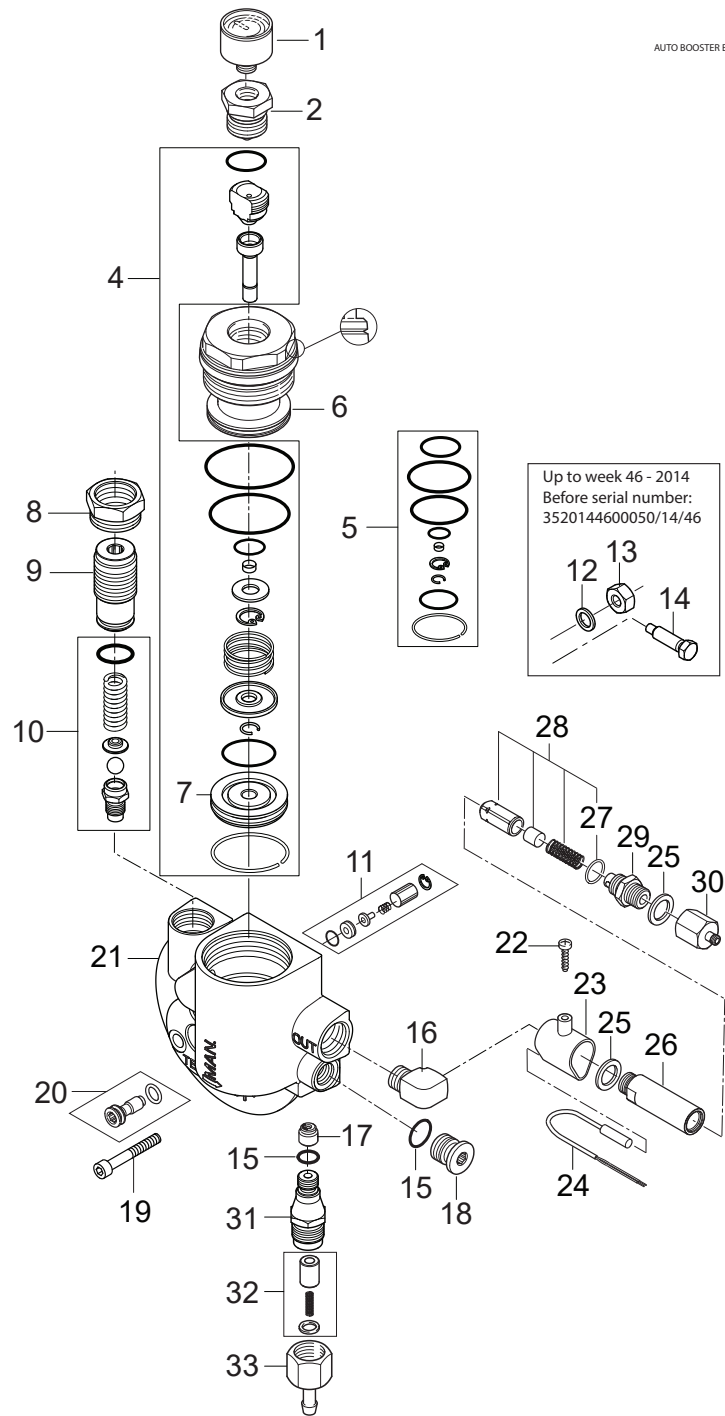
[1] - TSB-PPW-2020-003 NA5 pump THRUST COLLAR changed



Pos.	Artikel-Nr.	Menge	Variante	Notes
1	31000569	1	Schlauch	
2	9262	1	Schlauchselle SGL 12-20 W2	
3	107142766	1	Schlauchtülle	
4	107318257	1	SUCTION WATER LIMITER MS	
5	107318241	1	FITTING D6XD4XG1/8 BRASS	
6	101117929	1	Wasserzulauf NEPTUNE	[1]

Part Notes:

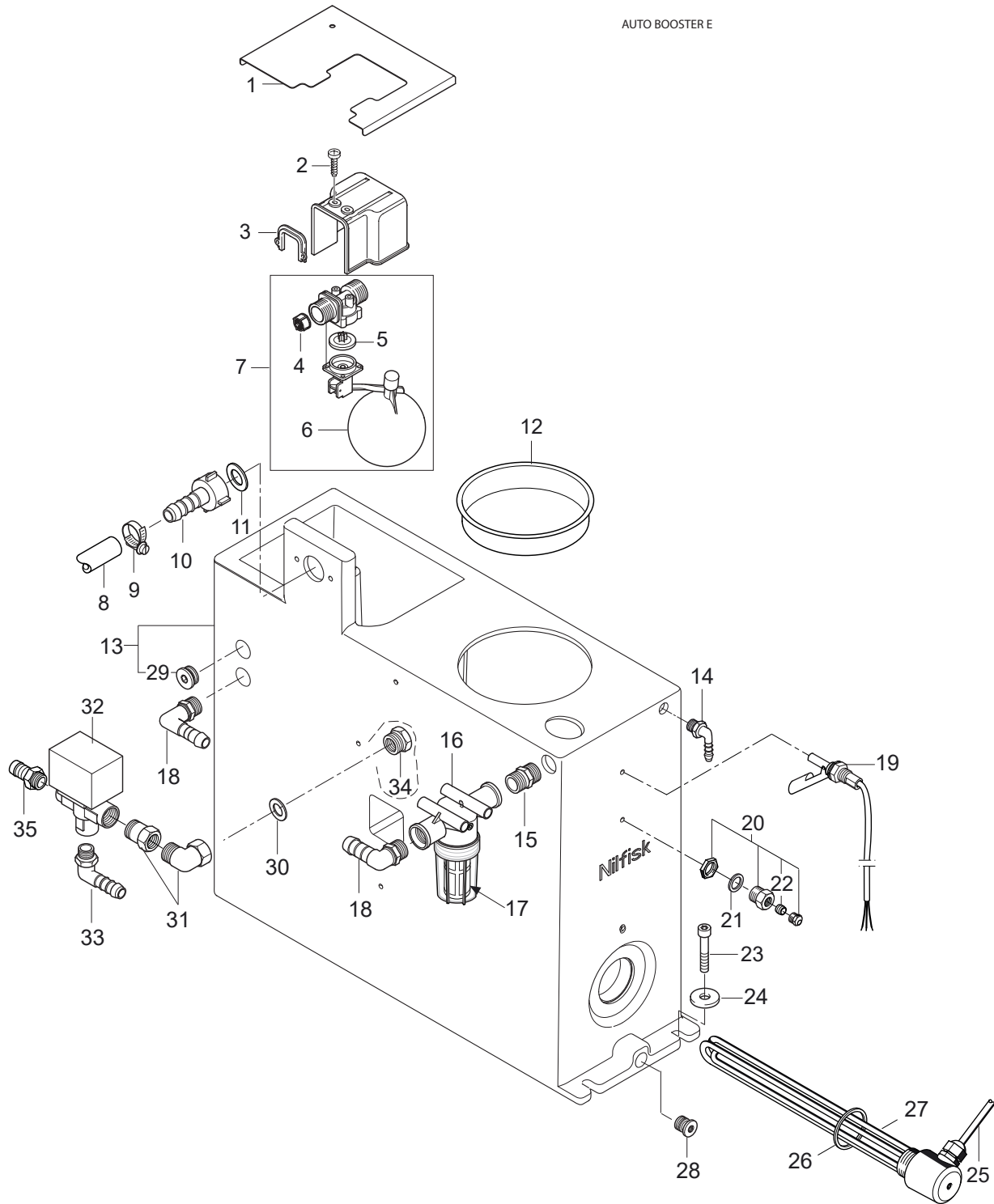
- [1] - TSB-PPW-2015-003 Water Inlet, 101117929 and 107144109 for NA5 pumps does not fit on NA5.2 pump



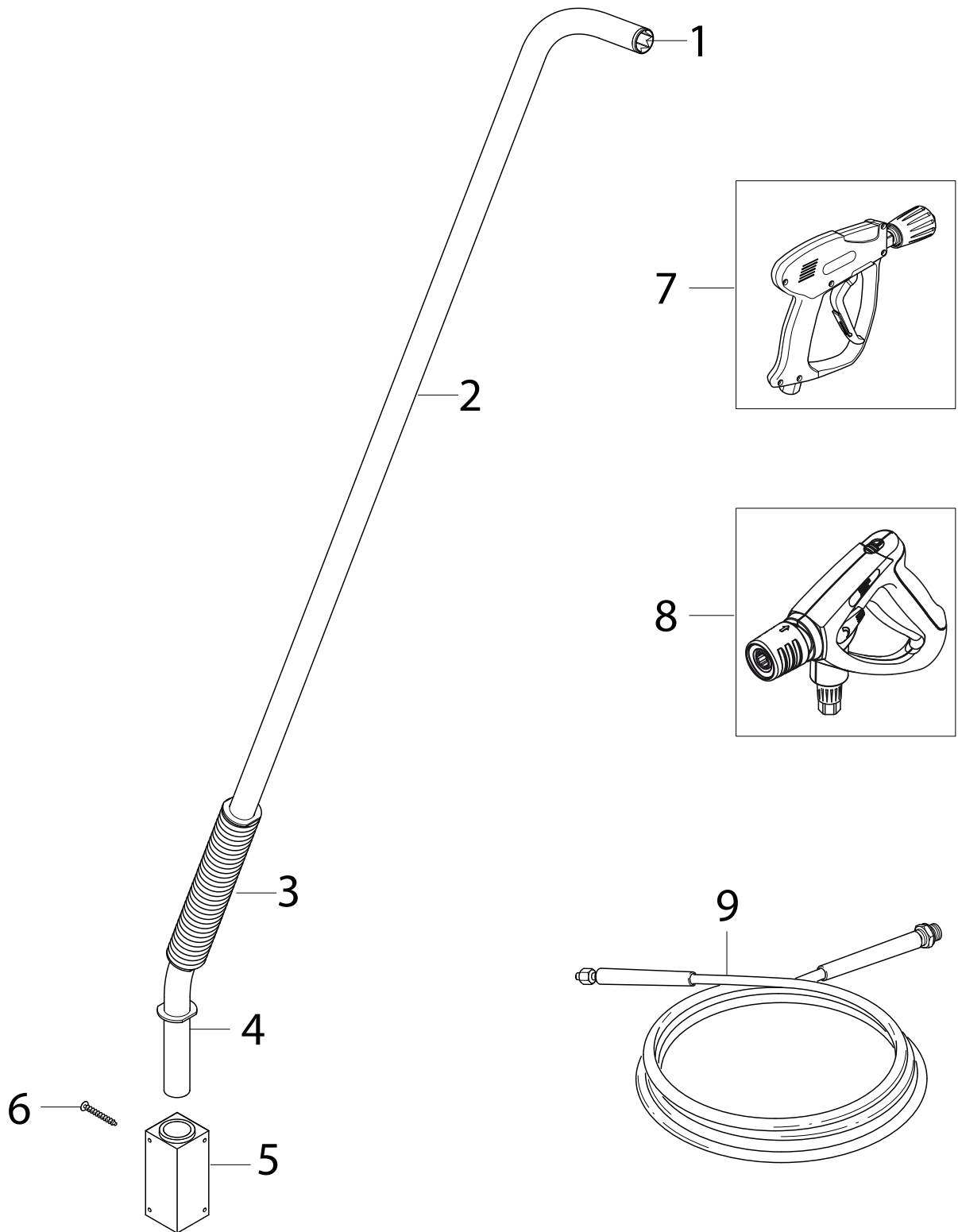
Pos.	Artikel-Nr.	Menge	Variante	Notes
1	301000246	1	Manometer	
2	107318197	1	PLUG FOR BY-PASS	
4	1118546	1	Reparatursatz fuer Umlauf	
5	101117884	1	Dichtungssatz	
6	107318198	1	BOTTOM SCREW W/ D1.7	
7	107141735	1	Kolben für By-Pass	
8	6100928	1	Mutter	
9	6100940	1	Einstellschraube	
10	1118512	1	Sicherheitsventil	
11	101118159	1	Bypassventil Neptun 4/5	[1]
12	3001377	1	Zylinderkopfdichtung	[2]
13	6150680	1	Gegenmutter	[3]
14	101117887	1	Einstellschraube für NA5	[2]
15	3001740	1	O-RING 7.66X1.78 NITRIL 70SH	
16	1601178	1	WINKEL 3/8	
17	107144414	1	NOZZLE 5 DOT F. NA5 FA UV D1.49	[4]
18	101117924	2	Stopfen für MPU 1/8	
19	5100	3	Zylinderschraube M6x45	
19	107144142	1	Schraube für Pumpengehäus	[5]
20	107144137	1	Stopfen	
21	107144410	1	BY-PASS VENTIL	[1]
22	1814614	1	Schraube 5x18	
23	62399	1	Halter	
24	106268032	1	Reedschalter Set	
25	1801075	2	Dichtring	
26	107120501	1	Gehäuse Magnetschalter	
27	3000064	1	O-Ring 14,1x1,6	
28	101119411	1	Reparatursatz Steuerkolbe	
29	107120504	1	Nippel 3/8/SW22x39	
30	101609377	1	Schraubverbindung 6L3/8	
31	101117890	1	Gehäuse Lufteinlassventil	[6]
32	101118183	1	PISTON KIT FOR VENTING VALVE	[6]
33	6221529	1	Deckel f. Ventilgehäuse	[6]

## Part Notes:

- [1] - TSB-PPW-2014-011 NEPTUNE 4 - 5 FA By-Pass Valve Changes
- [2] - Up to week 46 - 2014  
TSB-PPW-2014-011 NEPTUNE 4 - 5 FA By-Pass Valve Changes
- [3] - NO LONGER AVAILABLE  
Up to week 46 - 2014  
TSB-PPW-2014-011 NEPTUNE 4 - 5 FA By-Pass Valve Changes
- [4] - From week 46 - 2014  
TSB-PPW-2014-011 NEPTUNE 4 - 5 FA By-Pass Valve Changes
- [5] - 3x Screw HX M6 x 45 ISO 4762  
  
2x CYLINDRICAL SCREW M6 X 18  
  
2x Screw M8x 40 ISO4762 8.8 zn  
  
4x SCREW M8X35 ISO 4017
- [6] - The first Auto Booster with the venting valve is:  
  
Item no.: 107370882  
  
Serial No.: 3520161500118



Pos.	Artikel-Nr.	Menge	Variante	Notes
1	107318168	1	Deckel für Wassertank	
2	16860	2	EP- Schraube KA 40x12 WN1412 A2	
3	11243	1	Halter	
4	34225	1	Filter	
5	62878	1	Membrane	
6	11418	1	Schwimmer	
7	107318167	1	FLOAT VALVE DN10	
8	106408242	1	HOSE 5/8INCH - 2 METERS	
9	1810191	6	Schlauchschele 14-27	
10	107142766	2	Schlauchtülle	
11	15587	1	Dichtring 14x24x2	
12	104601176	1	Revisionsabdeckung	
13	107318202	1	WATERTANK PLASTIC SH AUTO	
14	107318135	1	HOSE TAIL ELBOW 12X1/4	
15	107318203	1	NIPPEL G1/2-G1/2 PA	
16	107318204	1	Filter G1/2 MESH 32	
17	31000792	1	FILTER CARTRIDGE 600 MICRON	
18	107318205	2	ANGLE D16XG1/2 PA	
19	3817582	1	Niveaunkontakt LS 103-12	
20	107318000	2	Verschraubung	
21	1801075	1	Dichtring	
22	101609437	1	Kegelring 8mm	
23	1812247	2	SCREW M8X30 A2 HFC1888	
24	1813567	2	WASHER 25/8.4 A2 DIN9021	
25	107318073	1	KABEL FUER HEIZUNG E12	
26	3717	1	O-Ring 42,0 x3,0 NBR90	
27	107317071	1	HEIZELEMENT 12KW 230/400V	
28	6868	1	Verschlussschraube	
29	G181419	1	Stopfen 24X12	
30	2377	1	Dichtring 27,0x 38,0x 2,0 IT	
31	101609387	1	Verschraubung G 3/4 mit O	
32	103822036	1	Wegeventil kalt / warm	
33	107318205	1	ANGLE D16XG1/2 PA	
34	107312043	1	Maschinenanschlussstutzen	
35	1609319	1	NIPPLE	



Pos.	Artikel-Nr.	Menge	Variante	Notes
1	107313212	1	Führungsbuchse f. Schlauc	
2	107313259	1	Schlauchgalgen	
3	102602526	1	Feder f. Schlauchgalgen '	
4	107318209	1	UNTERTEIL WASCH-BÜRSTENARM GESCHW.	
5	107318210	1	Halterung für Wasch-Bürstenarm	
6	107318211	4	Verschraubung für Wasch Bürstenarm	
7	106402243	1	Pistole wintersicher	[1]
8	106403122	1	ERGO 2000 STANDARD W. HOSE SWIVEL	[2]
9	101405641	1	HD-Schlauch 8200mm	
9	101406058	1	Schlauch stahlarmiert DN6	

## Part Notes:

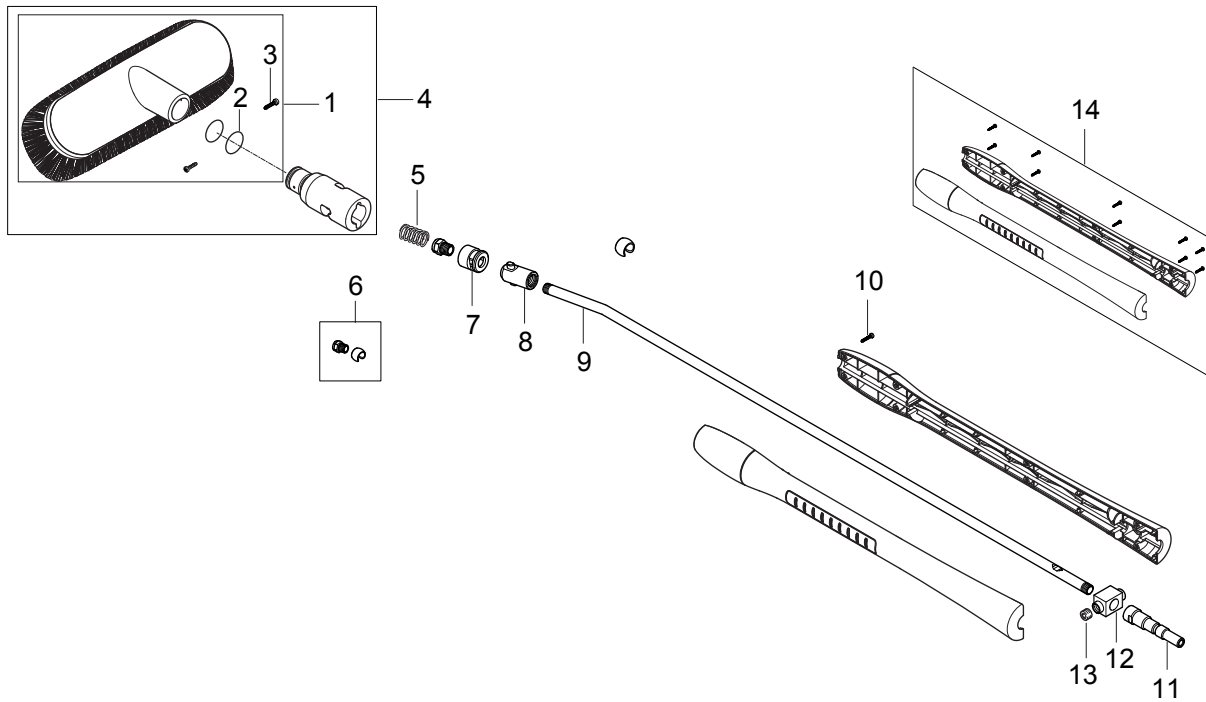
- [1] - See Weeping winter gun  
 [2] - 106403122 - ERGO 2000 Spray handle



Pos.	Artikel-Nr.	Menge	Variante	Notes
A	101118159	1	Bypassventil Neptun 4/5	
A	101118323	1	Wasserdichtungssatz	
A	101119411	1	Reparatursatz Steuerkolbe	
A	101405641	1	HD-Schlauch 8200mm	
A	101406058	1	Schlauch stahlarmiert DN6	
A	103821821	1	Rohrmagnetschalter L700	
A	103822265	1	Schlauch für Chemiepumpe	
A	106402243	1	Pistole wintersicher	
A	107144100	1	Ventilsatz NA 5	
A	107144102	1	Dichtungssatz Kolben	
A	101118239	1	PISTON KIT - NA5.2	
A	107144104	1	Satz Feder	
A	107141983	1	CYLINDER BLOCK W/ O-RING NA5.2	
A	107318167	1	FLOAT VALVE DN10	
A	1118512	1	Sicherheitsventil	
A	1118546	1	Reparatursatz fuer Umlauf	
A	107317070	1	HEATING ELEMENT 6KW 400/230V	
A	3001377	1	Zylinderkopfdichtung	
A	301000246	1	Manometer	
A	34225	1	Filter	
A	3717	1	O-Ring 42,0 x3,0 NBR90	
A	3817582	1	Niveaunkontakt LS 103-12	
B	107318198	1	BOTTOM SCREW W/ D1.7	
C	107144410	1	BY-PASS VENTIL	
C	101117887	1	Einstellschraube für NA5	
C	107141951	1	MOTOR 4KW 200/3/50-60	
C	103822011	1	Safety device AEG C10 1P-N	
C	103822036	1	Wegeventil kalt / warm	
C	101118278	1	SAFETY THERMOSTAT 97 DEG 6K KIT	
C	103822056	1	Thermostat -35- 35C	
C	103822213	1	Chemiepumpe	
C	103822304	1	Schütz CJX2-D18 18A 230V 3P+NO	
C	107120501	1	Gehäuse Magnetschalter	
C	101118247	1	WOBBLE DISC 8.7 DEG. BEARING KIT NA5.2	
C	107318242	1	UMRICHTER FR-D740-080-EC 2HZ MIT PROGR.	
C	107318151	1	Thermostat 20-60	
C	107318152	1	Thermostat 20-53GR	
C	107318185	1	Münzprüfer	
C	107318186	1	DISPLAY D801.00	
C	107318187	1	START SWITCH/LIGHT BLOCK NO CONTACT	
C	107318212	1	OVERCURRENT RELAY 3-POL 20A 10KA	
C	107318213	1	CONTACTOR 100-C16EJ01	
C	107318220	1	POWERSUPPLY FOR COIN N 820.06/24VDC	
C	107318221	1	POTENTIONMETER MOUNTED	
C	107318234	1	SWITCH 6 POL WITH 0-10VDC/ANALOG SIGNAL	
C	107318239	1	EMC FILTER FOR INVERTER	
C	31000148	1	Lagerdeckel	
C	31000149	1	Lager RF	
C	31000150	1	Lagerabdeckung EME	
C	31000151	1	Hinteres Lager EME	
C	6150680	1	Gegenmutter	[1]

## Part Notes:

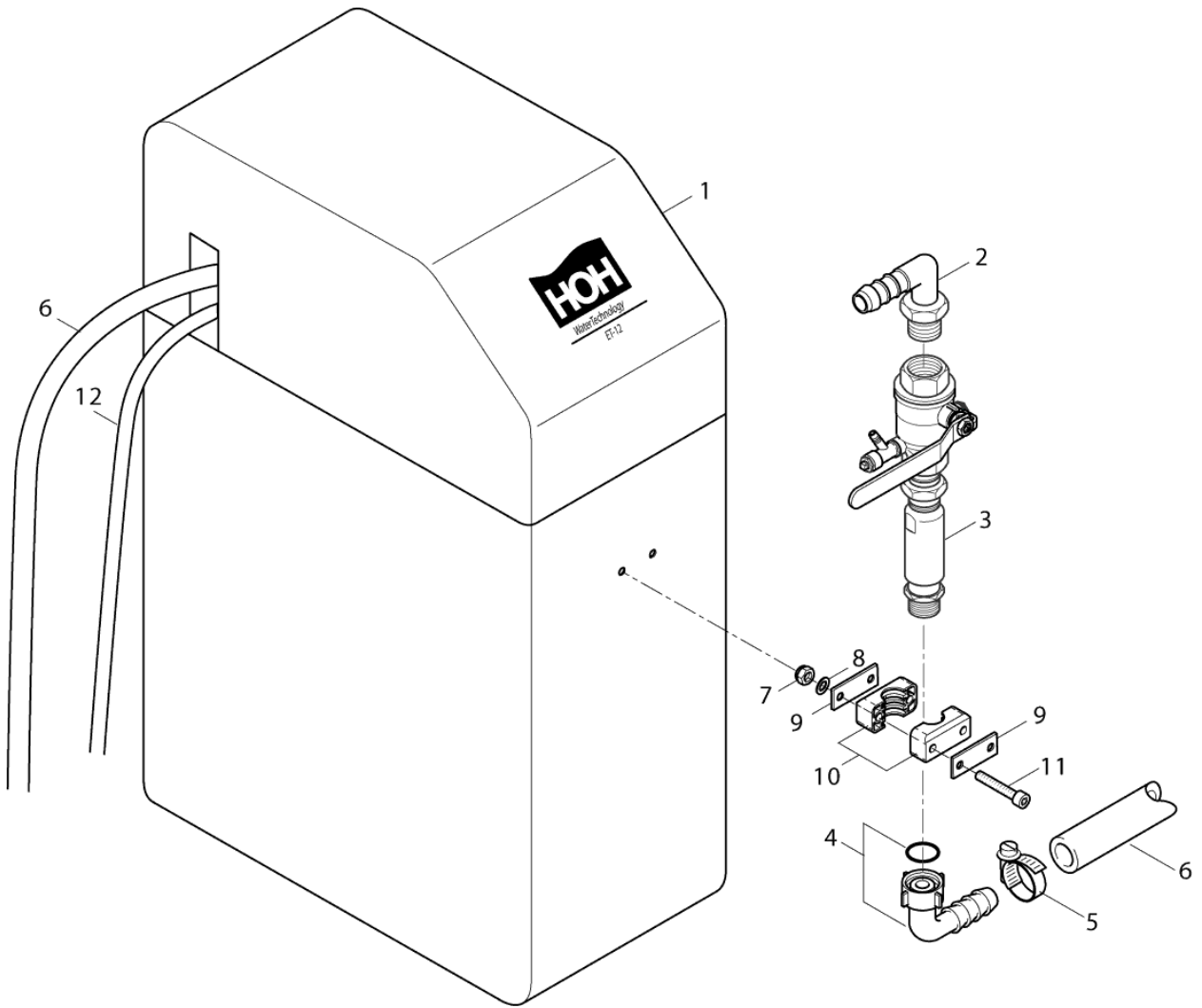
[1] - NO LONGER AVAILABLE



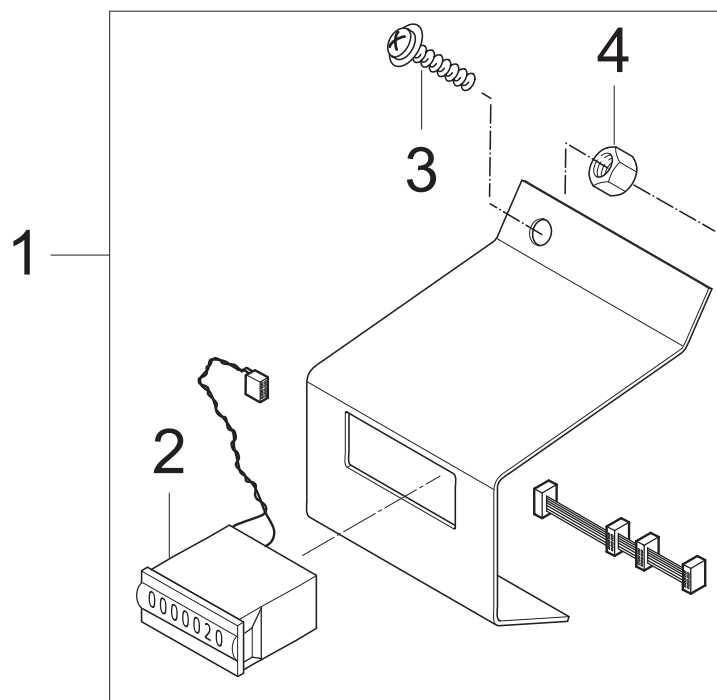
Pos.	Artikel-Nr.	Menge	Variante	Notes
0	106403193	1	BRUSH/LANCE W/0450 NOZZLE	
1	106402763	1	BÜRSTE MIT LÖCHERN	[1]
2	3000320	2	O-Ring 20x3	
3	1814532	2	Ejotschraube K30x10	
4	106402762	1	Bürste für AUTO BOOSTER mit Aufnahmeadap	
5	102602527	1	Feder für Bürste AUTO	
6	101119737	1	HD-Düse 0370 TORNADO	
6	101119740	1	HD-Düse 0450 TORNADO	
6	101119744	1	HD-Düse 0600 TORNADO	
7	18430	1	Schutzkappe	
8	106402572	1	Anschluß f. Bürste	
9	106408080	1	Rohr gebogen 1020/1070mm	
10	1814585	10	Schraube 3x12	
11	1609325	1	Nippel f. Sprührohr ERGO	
12	106402438	1	Messing Fitting	
13	106402439	1	Stellschraube für Fitting	
14	106403114	1	Lancenschutz für single Lance grau	[2]

## Part Notes:

- [1] - ALTERNATIVE USE 106402762  
 [2] - GUARANTEE DATE EXPIRED



Pos.	Artikel-Nr.	Menge	Variante	Notes
0-	107370970	1	Wasserenthärtung	
1	104601166	1	WATER SOFTENING UNIT E12	
2	101609353	1	Schlauchstutzen, Winkel	
3	103403271	1	Druckschalter 3/4	
4	107142766	1	Schlauchtülle	
5	8298	1	Schlauschelle SGL 16-27	
6	106408242	1	HOSE 5/8INCH - 2 METERS	
7	33158	2	Sechskantmutter M6 ISO7042 VA (A2)	
8	1813807	2	Scheibe M6	
9	7302021	2	PLATE FOR CABLE FIXTURE	
10	1609297	1	BRACKET FOR PIPE 30MM	
11	101801738	2	SCREW M6X60 A2-70 DIN 933	
12	5206461	1	PVC HOSE	



---

Pos.	Artikel-Nr.	Menge	Variante	Notes
			MI - 107319269 Mounting instruction Coin Counter	[1]
1	107370968	1	ACCESSORY COIN COUNTER	
2	107318246	1	COUNTER FOR COINSYSTEM 24VDC 7 DIGITS	
3	107146528	1	Schraube M5X12 ISO 14583-A2 TORX	
4	1804285	1	Sechskantmutter M5	

## Part Notes:

[1] - MI - 107319269 Mounting instructions Coin Counter

