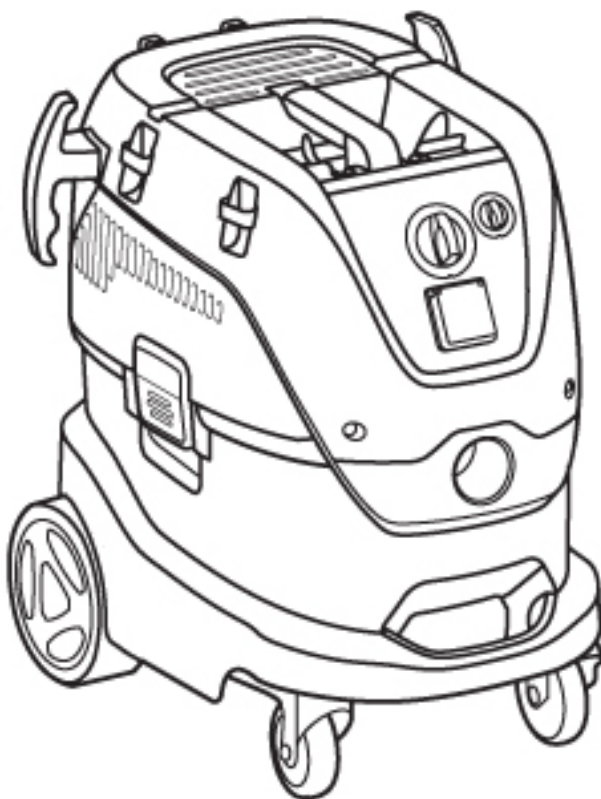
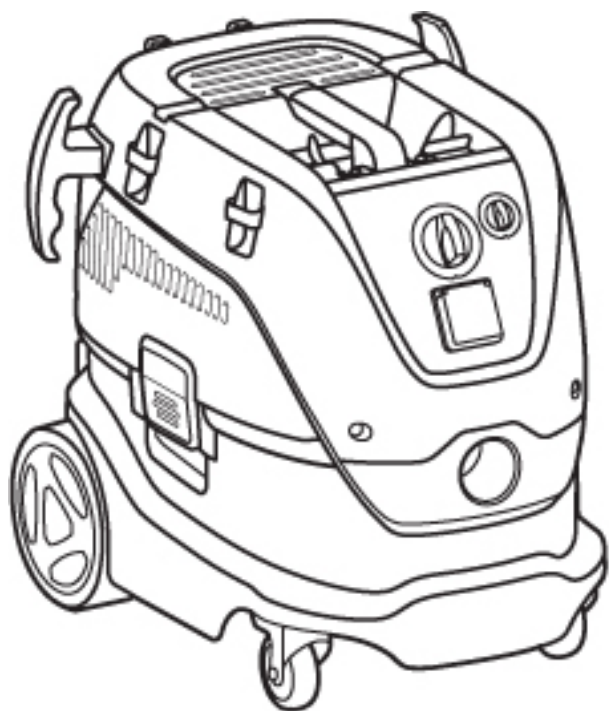


# PARTS LIST



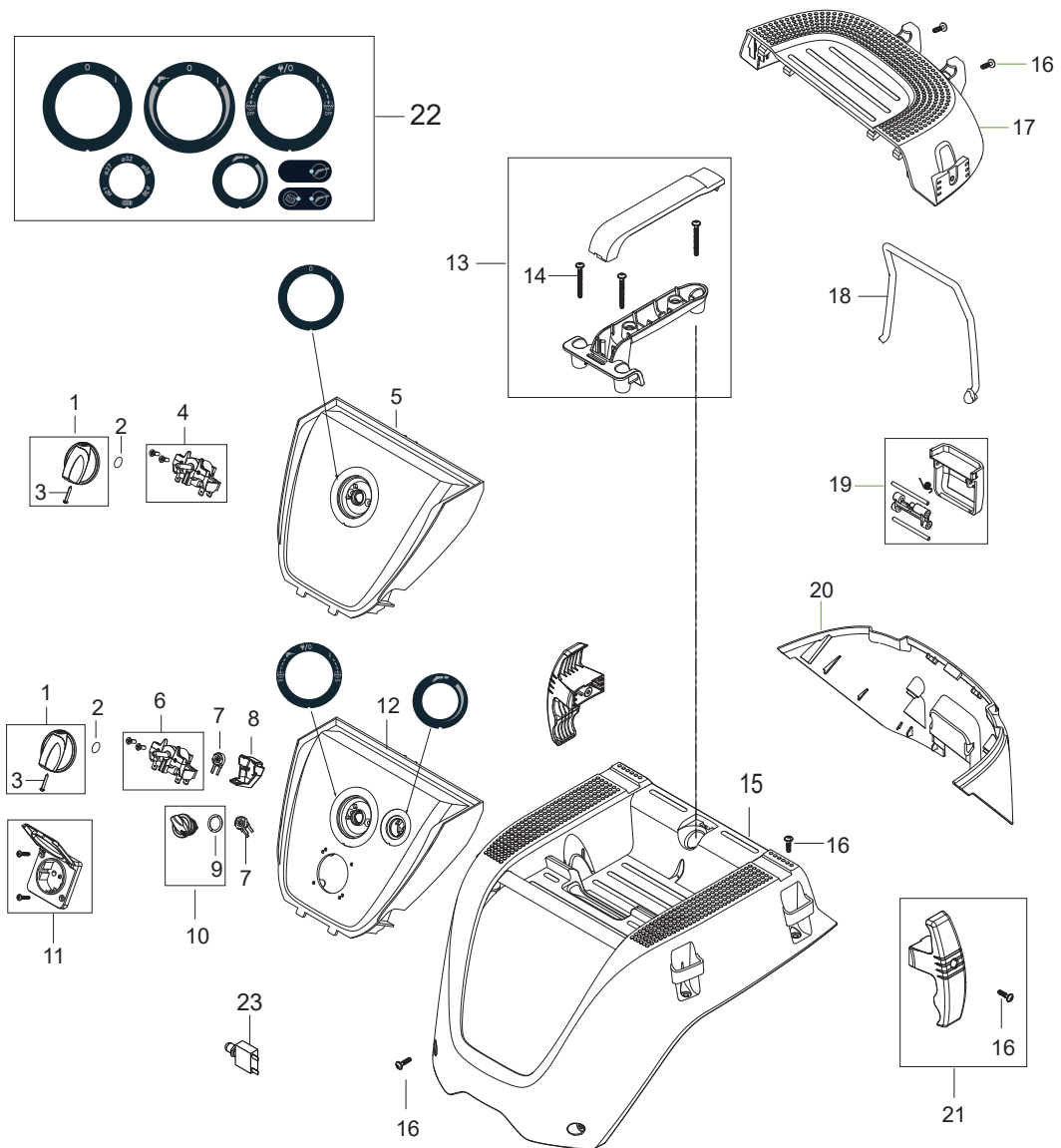
2025.11.25

# NILFISK

# TABLE OF CONTENTS

---

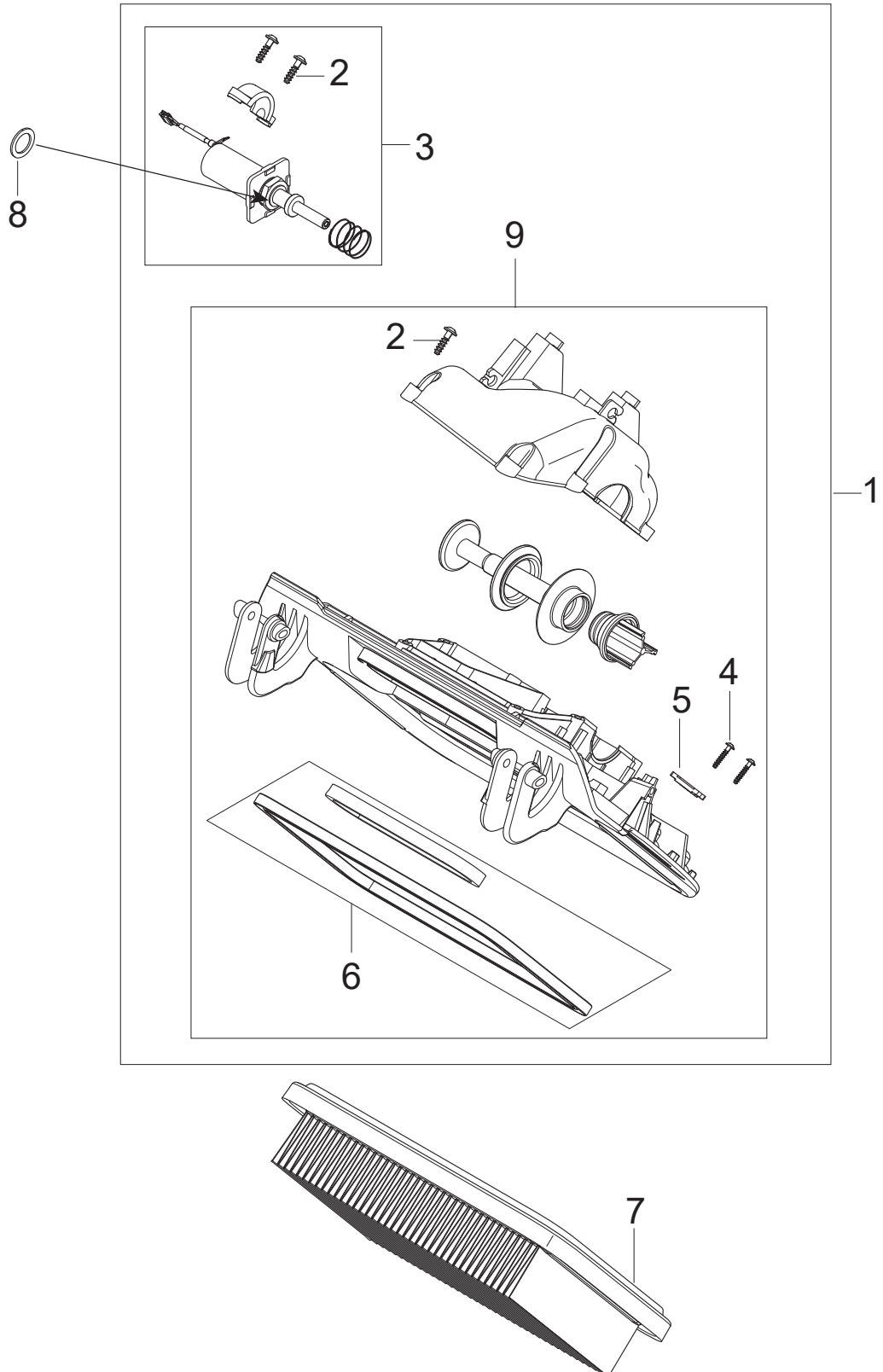
Cabinet and control panel 01 IC -21 IC - 2L IC .....	1
Filter system IC .....	3
Suction unit L .....	5
Base_M_L .....	7
Container 42L .....	9
Accessories 1 .....	11
Filter and bags .....	13
Hoses, tubes and nozzles .....	15
RECOMMENDED SPARE PARTS .....	17
Airbox .....	19



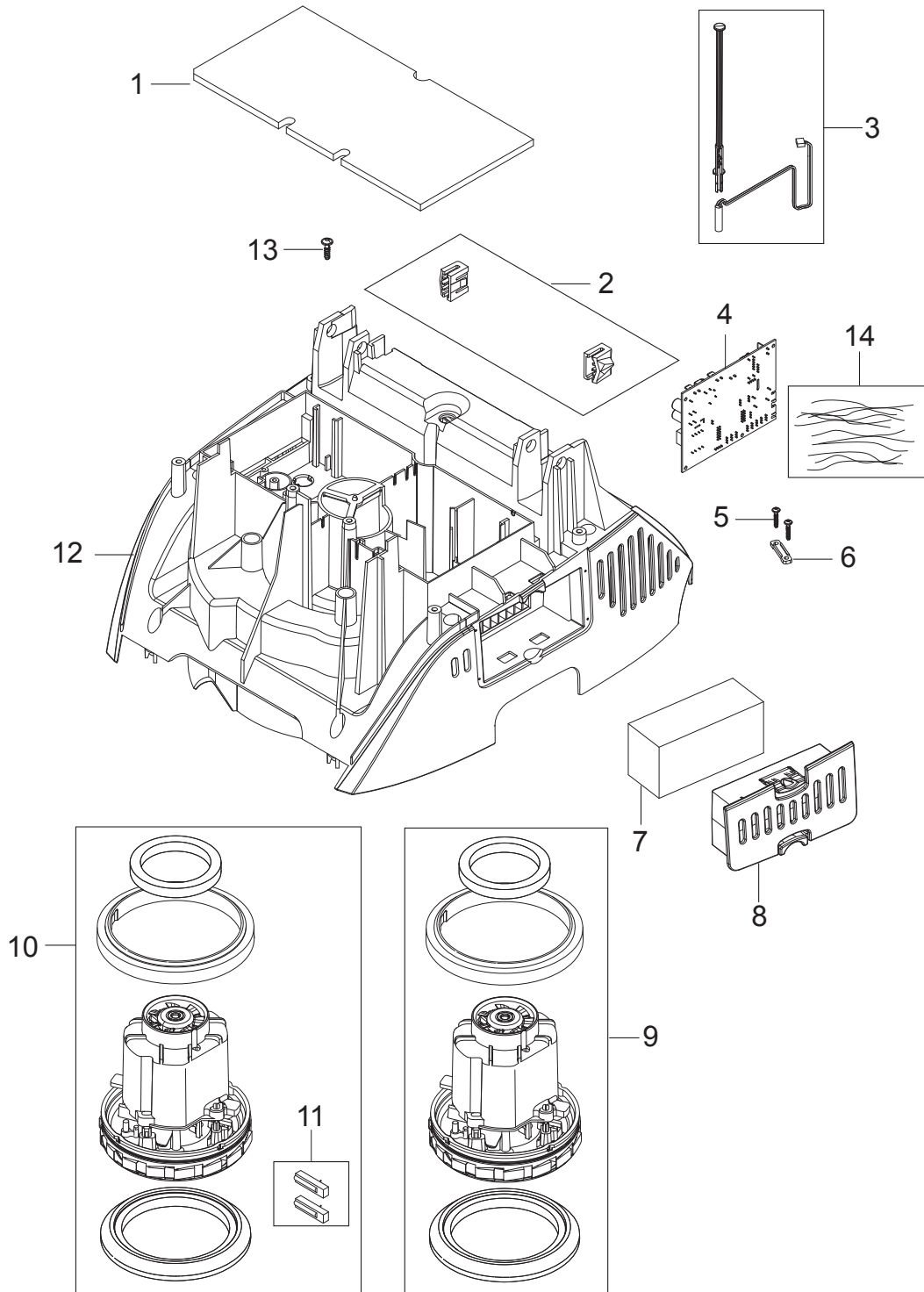
Pos.	Artikel-Nr.	Menge	Variante	Notes
0	107417576	1	BOX ATTIX 44L NEUTRAL KIT 10 PCS	
0	107417577	1	BOX ATTIX 33L NEUTRAL KIT 10 PCS	
0	107417578	1	BOX ATTIX 44L COLOUR KIT 10 PCS	
0	107417579	1	BOX ATTIX 33L COLOUR KIT 10 PCS	
1	909100204	1	Drehknopf 6x5 blau	
2	9868	1	O-Ring 10x2,5	
3	32526	1	Schraube BL- 2,9X19 B	
4	107413448	1	ROTARY SWITCH 2 POS 16A KIT	
5	107415046	1	CONTROL PANEL KIT -01 BLUE	
6	107415085	1	ROTARY SWITCH 5 POS 16A	
7	107415024	2	POTENTIOMETER W. WIRE	
8	107415080	1	CAP FOR POT-METER	
9	3004221	1	O-RING 16X2 NITRIL 70 SHORE	
10	107415062	1	TURNING KNOB D28 BLACK	
11	302004034	1	Steckdose	
11	302004036	1	Steckdose	
11	107400057	1	STECKDOSE 16A/110V GB	
11	302004336	1	Steckdose 2 polig 13A.	
11	302001185	1	Steckdose 2-poligPE 10A	
11	302004338	1	SOCKET 15A/125V US/CSA	
11	107400059	1	Steckdose 10A/250V CH	
11	107400060	1	STECKDOSE 16A/250V DK	
11a	107418773	1	SOCKET LABEL 1750 W -SP-	
11a	107418774	1	SOCKET LABEL 2400 W -SP-	
12	107415044	1	CONTROL PANEL KIT -21/-2L IC BLUE	
13	107415038	1	HANDLE KIT BLACK	
14	128500203	3	Schraube K50x45 WN1451	
15	107415036	1	Deckel schwarz	
16	302004029	17	SCREW 5X18	
17	107415086	1	Klappe obere Abdeckung, schwarz	
18	107415035	1	CORD STRAP KIT	
19	107418122	1	HATCH DOOR CLAMP 2X SPRING KIT BLACK	[1]
19	107415032	1	HATCH DOOR CLAMP KIT BLACK	[2]
20	107415028	1	HATCHBACK LOWER COVER BLUE	
21	107415083	2	Halter	
22	107415077	1	LABEL KIT FOR CONTROL PANEL 7 PCS.	
23	56315255	1	CIRCUIT BREAKER 5 AMP	[3]

## Part Notes:

- [1] - GUARANTEE DATE EXPIRED  
For machines produced before November 18th 2016. Serial number 3510164605816
- [2] - For machines produced from November 18th 2016. Serial number 3510164605816
- [3] - AUS/NZ



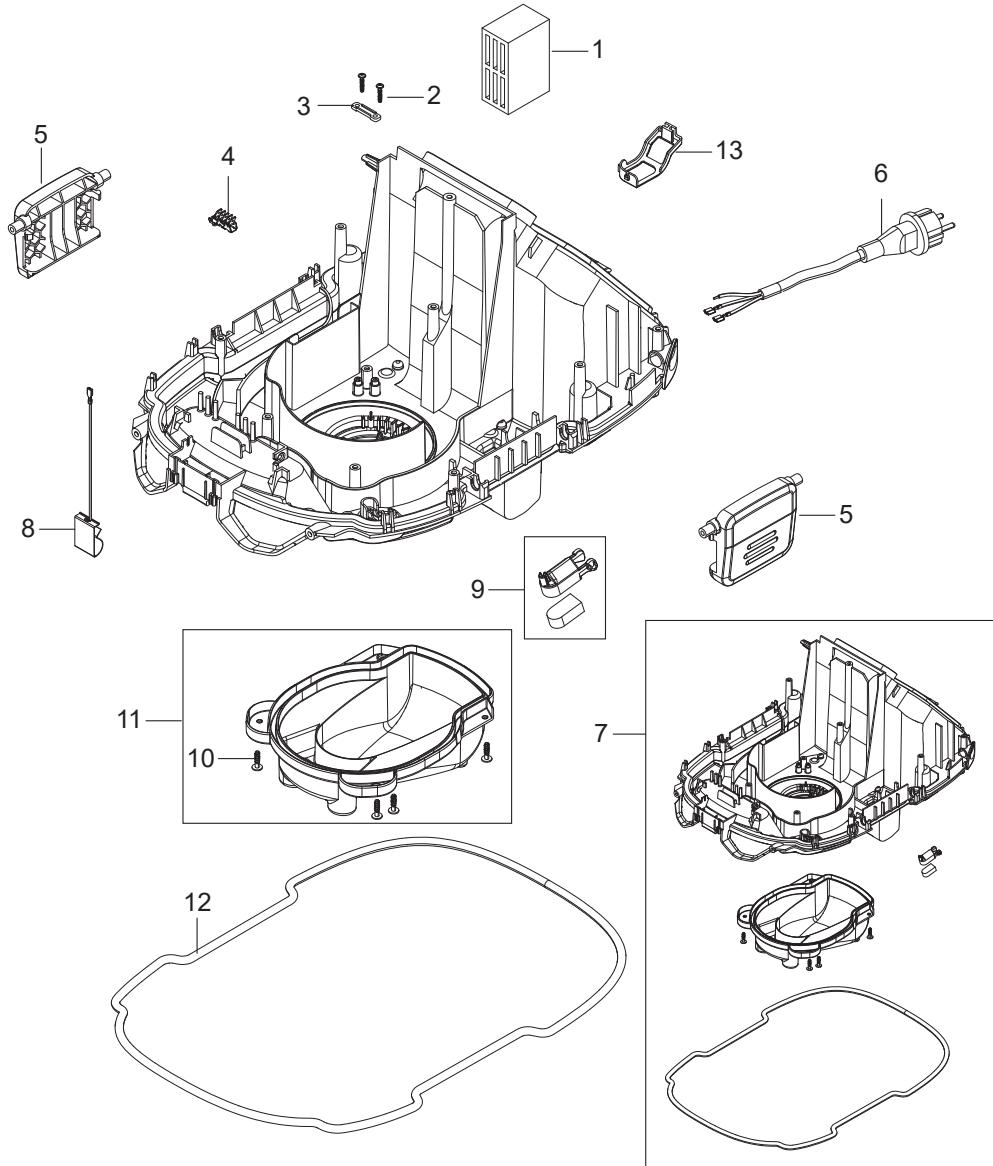
Pos.	Artikel-Nr.	Menge	Variante	Notes
1	107415027	1	HATCH DOOR FRAME WITH SEALING IC	
1	107417859	1	HATCH DOOR FRAME W. SEALING 100-120V IC	
2	302004029	15	SCREW 5X18	
3	107415031	1	Solenoid Kit 230 V	
3	107415079	1	SOLENOID KIT 100-120V	
4	302004032	2	Schraube 3.5X18	
5	5697	1	Kabelschelle	
6	107415090	1	HATCH DOOR FILTER GASKET KIT	
7	107413540	1	Flachfaltenfilterelement PTFE M-Klasse A	
8	107420390	1	WASHER FOR SOLENOID VALVE	
9	107420406	1	HATCH DOOR FRAME W. SEALING W/O SOLENOID	



Pos.	Artikel-Nr.	Menge	Variante	Notes
1	107417101	1	FOAM SEALING 298X148	
2	107415075	1	HATCH DOOR HINGE SNAP 2 PCS.	
3	107415060	1	REED SENSOR WITH APPLICATOR	
4	107415058	1	PCBA AFC 1M1S P2 220-240V	[1]
4	107415649	1	PCBA AFC 1M1S P2 110-120V	[2]
4	107415094	1	PCBA AUTO ON/OFF AFC 1M1S P2 220-240V	[3]
4	107415095	1	PCBA AUTO ON/OFF AFC 1M1S P2 110-120V	[4]
5	302004032	2	Schraube 3.5X18	
6	302004030	1	Lasche	
7	107415096	1	DIFFUSOR 55X115X45 BLACK	
8	107415097	1	ABDECKUNG FÜR FILTER MOTORKÜHLUNG (BLAU)	
9	107415055	1	MOTOR KIT 1200W 220-240V 50/60HZ	[5]
10	107415099	1	MOTOR KIT 1000W 110-120V 50/60HZ	[6]
11	107417399	1	CARBON BRUSH ASSY KIT 2 PCS 110-120V	[6]
12	107415048	1	AIRGUIDE BLUE	
13	302004029	9	SCREW 5X18	
14	107417863	1	WIRE/CAPACITOR KIT6	

## Part Notes:

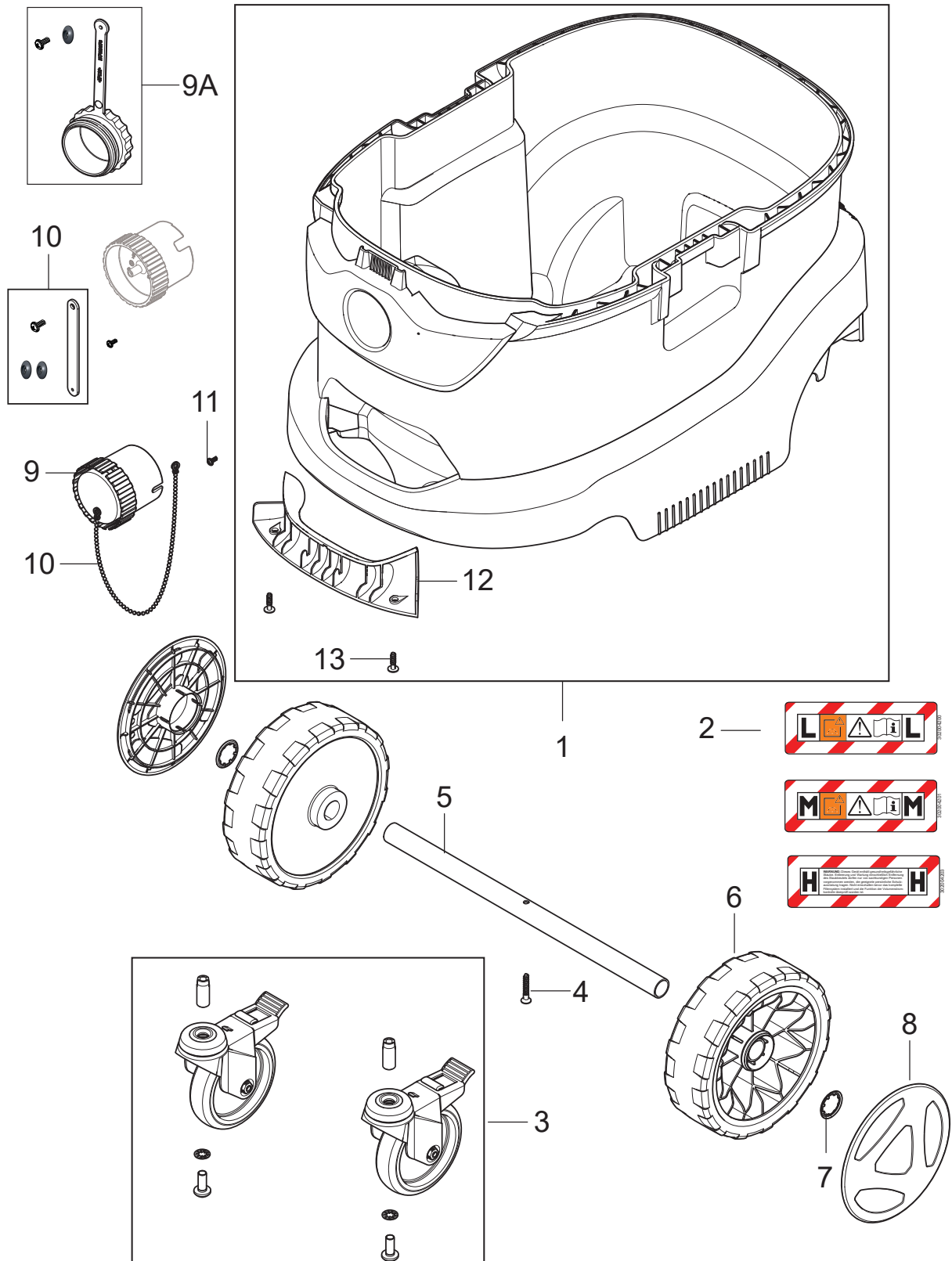
- [1] - 01 IC 220-240V 50/60HZ
- [2] - 01 IC 110-120V 50-60Hz
- [3] - 21 IC/2L IC 220-240V 50-60Hz
- [4] - 21 IC/2L IC 110-120V 50-60Hz
- [5] - 220-240V 50/60HZ
- [6] - 110-120V 50/60HZ



Pos.	Artikel-Nr.	Menge	Variante	Notes
1	107417112	1	SOUND ABSORBER 83X55X35	
2	302004032	2	Schraube 3.5X18	
3	302004030	1	Lasche	
4	302004031	1	Steckverteiler 6-POL 16A	
5	107415053	2	CONTAINER CLAMP BLACK	
6	107400573	1	Anschlussleitung Europa	[1]
6	302001416	1	LTG Netz H07RN-F 3G1,5x8,	[2]
6	302000692	1	LTG Netz H07BQ-F3G1,5x8,	[3]
6	302004333	1	POWER CORD H05RR-F 3G1.5X8.4 AS3112 -AU	[4]
6	302004332	1	NETZKABEL US	[5]
6	107420520	1	POWER CORD H05RR-F 3G1,0MM IP55 CH	[6]
6	107402642	1	Netzkabel	[7]
7	107415074	1	BASE PLATE ASSEMBLY KIT	
8	107417113	1	CONTACT SPRING W. WIRE	
9	107415063	1	FLOATER WITH MAGNET	
10	1814614	4	Schraube 5x18	
11	107415061	1	AIR FLOW COVER KIT BLACK	
12	107415050	1	CONTAINER SEALING	

## Part Notes:

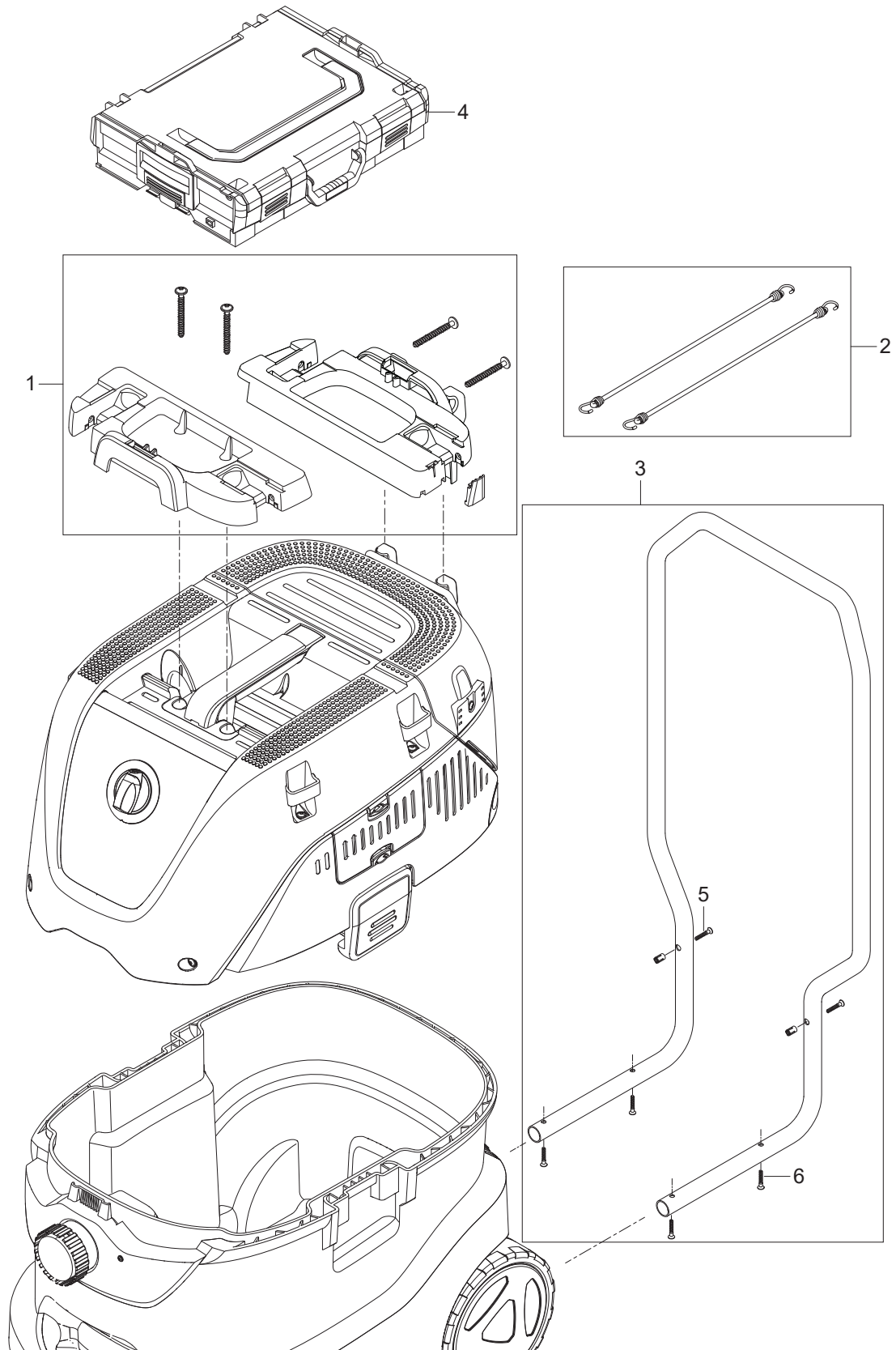
- [1] - 220-240V 50/60HZ EU
- [2] - GB 230V
- [3] - 110-120V 50/60HZ GB
- [4] - 220-240V 50/60HZ AU/NZ
- [5] - 120V 50/60HZ US
- [6] - 220-240V 50/60HZ CH
- [7] - 220-240V 50/60HZ DK, grounding



Pos.	Artikel-Nr.	Menge	Variante	Notes
1	107414073	1	CONTAINER 45L KIT NILFISK BLUE	
1	107417123	1	CONTAINER 42L KIT H-CLASS NILFISK BLUE	
2	107417119	1	Aufkleber Staubklasse L 130X44 PVC	
2	107401291	1	Aufkleber Staubklasse M 130X44 PVC	
2	107401548	1	Aufkleber Staubklasse H 130X44 PVC	
3	107417573	2	Rollen 2 PCS	
4	107417864	1	SCREW WN1423 K50X35 BLACK TORX KIT	
5	302004022	1	Achse	
6	107417121	2	Rad D175 schwarz	
7	47302	2	Sich. Ring ¥ 28.6/ ¥20x	
8	107417122	2	Radkappe D145 blau	
9A	107420435	1	HOSE INLET PLUG	
10	30081	1	Kette für Blindstopfen	[1]
10	107419668	1	RUBBER STRAP KIT	[2]
11	24738	1	Schraube 3.5 x 8	
12	107417124	1	HANDLE INNER FOR CONTAINER 42L BLACK	
13	302004029	2	SCREW 5X18	

Part Notes:

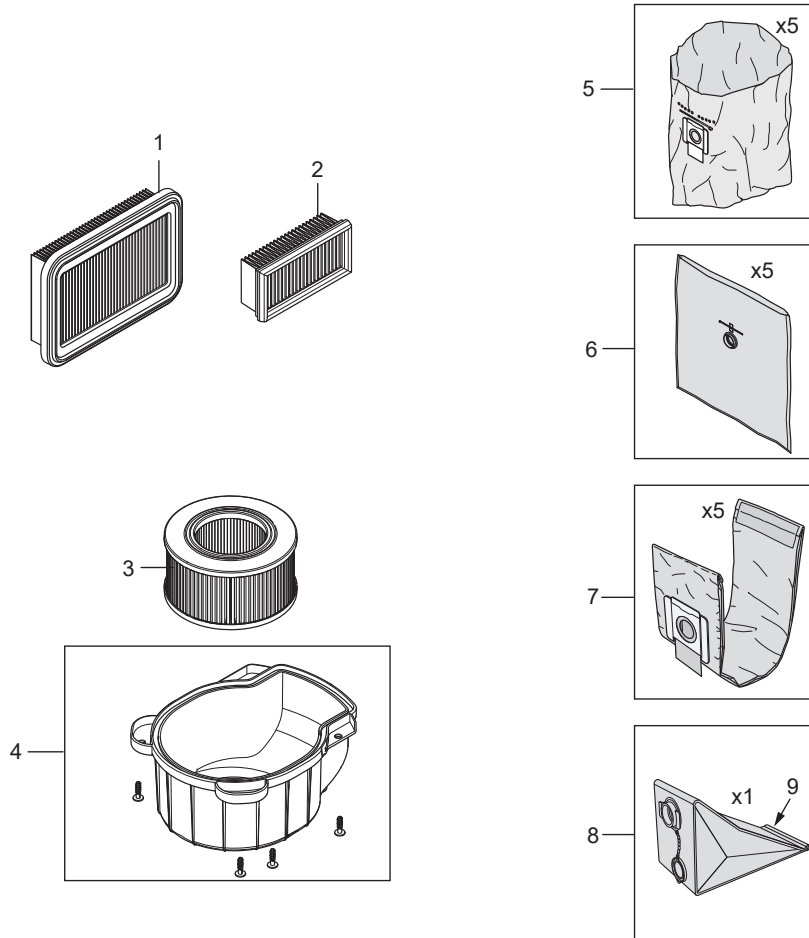
- [1] - M and H Class
  - TSB-LI-VACS- 2021-001 Ball Chain replaced with Rubber Strap
  - DE TSB-LI-VAC-2014-002 Attix 30 Filterbeutel
  - TSB-LI-VACS-2021-001 Attache de bouchon
- [2] - TSB-LI-VACS- 2021-001 Ball Chain replaced with Rubber Strap
  - DE TSB-LI-VAC-2014-002 Attix 30 Filterbeutel
  - TSB-LI-VACS-2021-001 Attache de bouchon



---

<b>Pos.</b>	<b>Artikel-Nr.</b>	<b>Menge</b>	<b>Variante</b>	<b>Notes</b>
1	107413551	1	Adapterplatte für Werkzeugbox (L-Boxx, T	
2	107413553	1	Flexibles Gurtset 2 St.	
3	107413552	1	Schubbügel -Trolleyhandgriff ATTIX 33/44	
4	107413554	1	Werkzeugbox 2 Vlies- & 2 Ent.säcken	
5	107420422	2	SCREW ISO 14581 TX STEEL 8.8 M6X30 SPPT	
6	107420423	4	SCREW WN1423 K50X35 BLACK TORX SPPT	

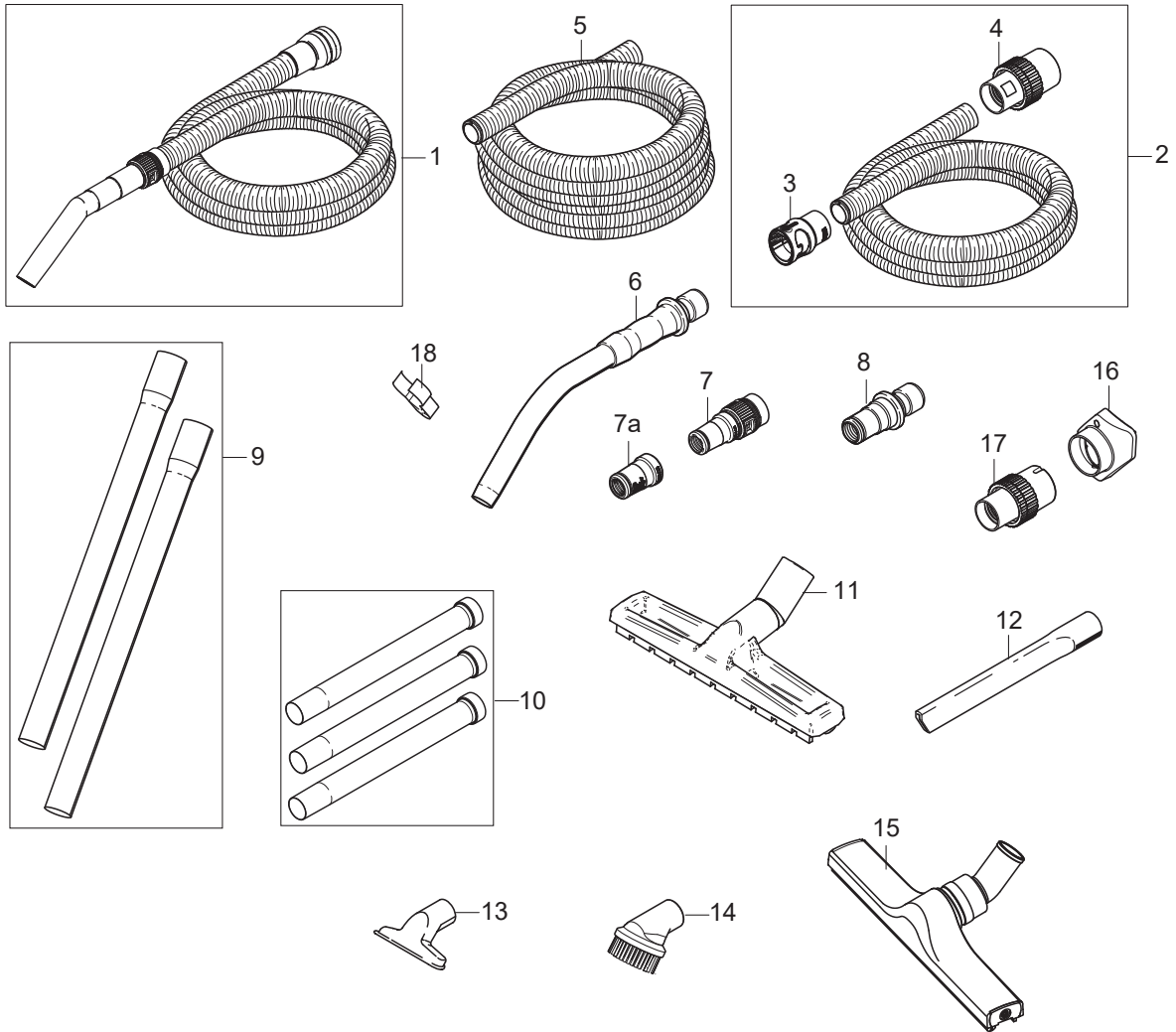
---



Pos.	Artikel-Nr.	Menge	Variante	Notes
1	107413540	1	Flachfaltenfilterelement PTFE M-Klasse A	
2	107413541	1	Motorkühlluftfilter PET ATTIX 33/44	
3	107413555	1	HEPA Filterkassette - Staubklasse H/H14	
4	107413542	1	Abdeckung HEPA-Filterelement	[1]
5	107417821	1	Entsorgungssack VPE 5Stk. ATTIX 33/44	
6	107413549	1	Sicherheitsfiltersack VPE 5Stk. ATTIX 33	
7	107419593	1	VLIESFILTERBEUTEL 5 STK. ATTIX 33/44	
8	107413556	1	Langzeitfilterbeutel wiederverwendbar AT	
9	107419626	1	C-PROFILE FOR LONG LIFE FILTER BAG	

## Part Notes:

[1] - 107416973 HEPA Cover instruction



Pos.	Artikel-Nr.	Menge	Variante	Notes
1	107409976	1	Universalsaug Schlauch, Ø 32 mmx3,5 m	[1]
2	107413543	1	Saug Schlauch AS rot/schwarz Ø32X4000 mm	
2	107413544	1	Saug Schlauch AS rot/schwarz Ø36X4000 mm	
3	107417868	1	HOSE SLEEVE Ø38 AS QUICKSYSTEM	
3	107417867	1	MUFFE Ø36 AS QUICKSYSTEM	
3	107417866	1	Muffe Ø32 AS QUICKSYSTEM	
4	30928	1	Muffe Schlauch, Ø 32 mm, antistatisch	
4	15812	1	Muffe Ø 36x50 mm, antistatisch	
5	107420514	1	HOSE Ø32X20M AS RED	
5	107420515	1	HOSE Ø36X20M AS RED	
6	46691	1	Handrohr gebog., Ø 36 mm, Edelstahl	
7	107409977	1	Werkzeugadapter, Ø 32 mm	[1]
7a	107403791	1	HOSE SLEEVE D27 AS	
8	302000535	1	Werkzeugadapter, Quicksystem, Ø 27 mm	
9	302000529	1	Verlängerungsrohre Ø36x505 mm, VPE 2	
9	107408074	1	Verlängerungsrohr Edels. Ø36x505mm, VPE2	
10	107416995	1	Verlängerungsrohre Ø36 3x350 mm,	
11	302002331	1	Bodendüse m. Bürste, Ø 36x300 mm	
12	6084	1	Fugendüse Ø 36x300 mm	
12	29541	1	FUGENDUESE D36X200	
13	14295	1	Universaldüse Ø 36x115 mm, Kunststoff	
14	302002509	1	Saugpinsel, rund, schwarz, Ø 36 mm	
15	302003666	1	Profi-Bodendüse D36 400mm	
16	107417865	1	Abluftsammler ATTIX 33/44	
17	42955	1	HOSE SLEEVE Ø50/50 CONDUCTIVE TYPE 22	[2]
18	48375	1	Schlauchhaltespange	[3]

## Part Notes:

- [1] - TSB-LI-VACS-2017-01 - AERO+ATTIX hose  
 [2] - To be used with Ø50 mm hose  
 [3] - GUARANTEE DATE EXPIRED

**No  
Diagram  
Available**

**Parts List  
Only**

# RECOMMENDED SPARE PARTS

ATTIX 44 IC

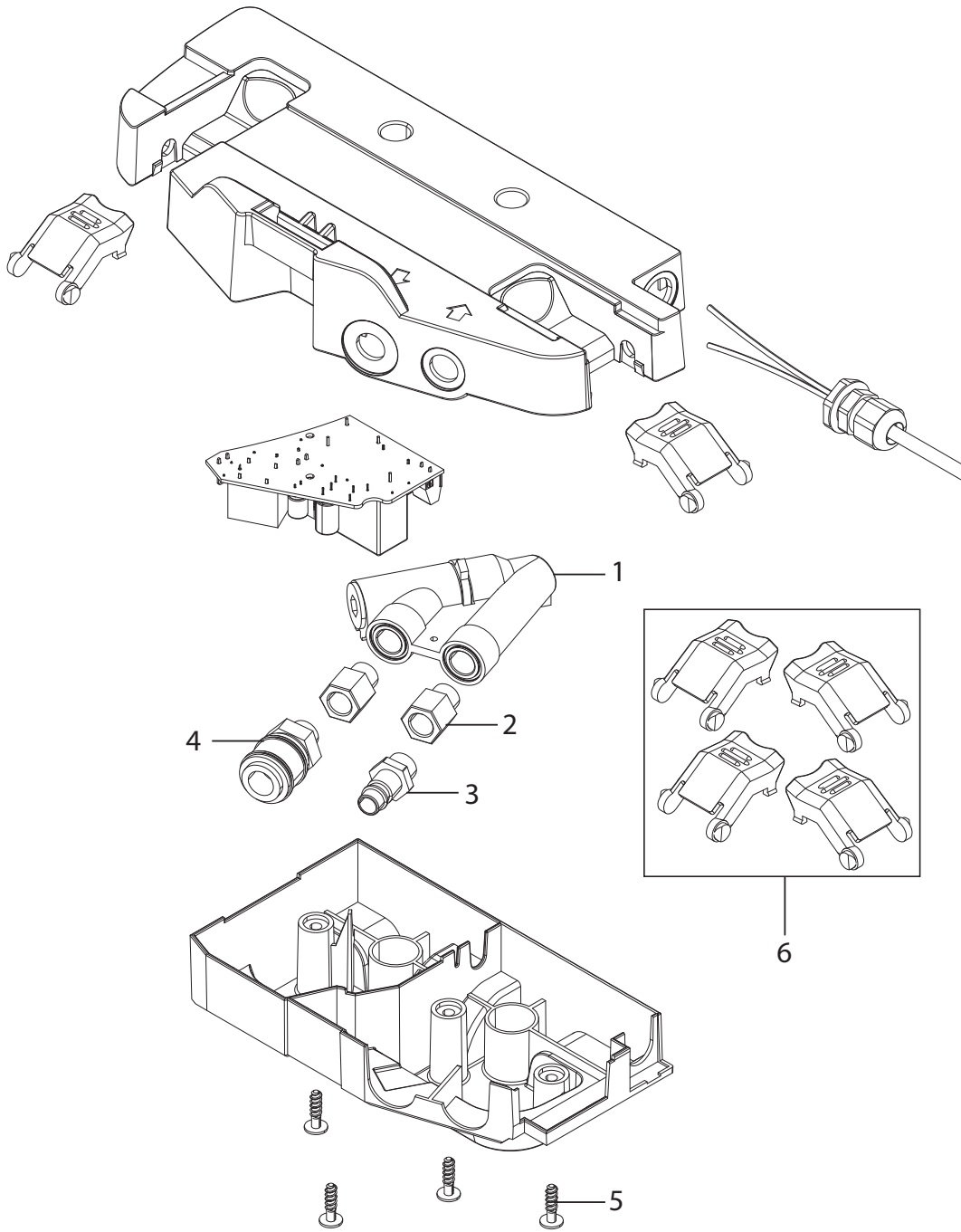
2023.11.23

2019.03.22

Pos.	Artikel-Nr.	Menge	Variante	Notes
1	107413448	1	ROTARY SWITCH 2 POS 16A KIT	
2	107415085	1	ROTARY SWITCH 5 POS 16A	
3	107415076	1	Drehschalter 3 Stellungen 16A	
4	107415024	1	POTENTIOMETER W. WIRE	
5	107415080	1	CAP FOR POT-METER	
6	302004034	1	Steckdose	
7	302004036	1	Steckdose	
8	107400057	1	STECKDOSE 16A/110V GB	
9	302004336	1	Steckdose 2 polig 13A.	
10	302004338	1	SOCKET 15A/125V US/CSA	
11	107400059	1	Steckdose 10A/250V CH	
12	107400060	1	STECKDOSE 16A/250V DK	
13	107415038	1	HANDLE KIT BLACK	
14	107415032	1	HATCH DOOR CLAMP KIT BLACK	
15	107415083	1	Halter	
16	107415077	1	LABEL KIT FOR CONTROL PANEL 7 PCS.	
17	107415027	1	HATCH DOOR FRAME WITH SEALING IC	
18	107417859	1	HATCH DOOR FRAME W. SEALING 100-120V IC	
19	107415031	1	Solenoid Kit 230 V	
20	107415079	1	SOLENOID KIT 100-120V	
21	107415090	1	HATCH DOOR FILTER GASKET KIT	
22	107413540	1	Flachfaltenfilterelement PTFE M-Klasse A	
23	107415075	1	HATCH DOOR HINGE SNAP 2 PCS.	
24	107415058	1	PCBA AFC 1M1S P2 220-240V	
26	107415649	1	PCBA AFC 1M1S P2 110-120V	
27	107415094	1	PCBA AUTO ON/OFF AFC 1M1S P2 220-240V	
28	107415095	1	PCBA AUTO ON/OFF AFC 1M1S P2 110-120V	
29	107415059	1	PCBA AUTO ON/OFF M 1M1S P3 220-240V	
30	107417102	1	PCBA AUTO ON/OFF M 1M1S P3 110-120V	
31	107417103	1	PCBA AUTO ON/OFF AFC M 1M1S P3 220-240V	
32	107417104	1	PCBA AUTO ON/OFF AFC M 1M1S P3 110-120V	
33	107417105	1	PCBA AUTO ON/OFF H 1M1S P3 220-240V	
34	107417106	1	PCBA AUTO ON/OFF AFC H 1M1S P3 220-240V	
36	107416958	1	BUZZER KIT1	
37	107417111	1	PRESSURE SENSOR KIT	
38	107417863	1	WIRE/CAPACITOR KIT6	
39	107415055	1	MOTOR KIT 1200W 220-240V 50/60HZ	
41	107415099	1	MOTOR KIT 1000W 110-120V 50/60HZ	
42	107417399	1	CARBON BRUSH ASSY KIT 2 PCS 110-120V	[1]
43	107415053	1	CONTAINER CLAMP BLACK	
44	107400573	1	Anschlussleitung Europa	
45	302000692	1	LTG Netz H07BQ-F3G1,5x8,	
46	302004333	1	POWER CORD H05RR-F 3G1.5X8.4 AS3112 -AU	
47	302004332	1	NETZKABEL US	
48	107420520	1	POWER CORD H05RR-F 3G1,0MM IP55 CH	
49	107402642	1	Netzkabel	
50	107417418	1	POWER CORD KIT VCTF 1.25MM 3C JP PSE	
51	107415063	1	FLOATER WITH MAGNET	
52	107415061	1	AIR FLOW COVER KIT BLACK	
53	107413542	1	Abdeckung HEPA-Filterelement	
54	107413555	1	HEPA Filterkassette - Staubklasse H/H14	
55	107415050	1	CONTAINER SEALING	
56	107417120	1	CASTOR WHEEL D75 WITH BRAKE 2 PCS.	
57	107417573	1	Rollen 2 PCS	
58	107417121	1	Rad D175 schwarz	

Part Notes:

[1] - 110-120V 50/60HZ



Pos.	Artikel-Nr.	Menge	Variante	Notes
0	107416370	1	AIRBOX KIT 220-240V 50/60HZ EU	
	107418781	1	AIRBOX KIT 110-120V 50/60HZ US	
1	107402622	1	Durchflussregelung Set	
2	25437	2	Muffennippel G1/4-R1/4	
3	14809	1	Kupplungsstecker G1/4	
4	14808	1	Schlauchkupplung G1/4	
5	302004029	4	SCREW 5X18	
6	107415054	1	ADAPTER PLATE CLAMP - KIT	

