

# PARTS LIST

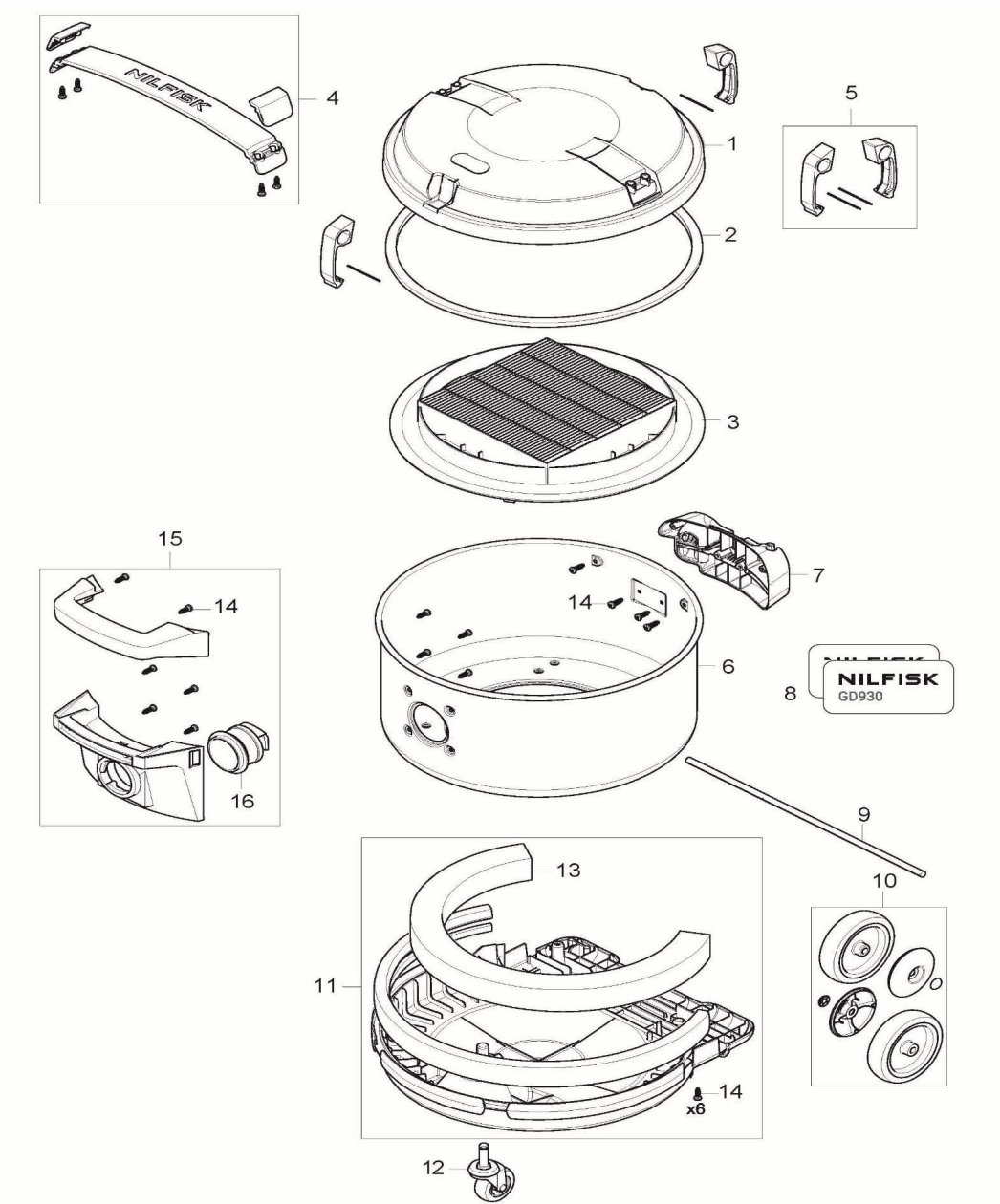
2025.08.28

# NILFISK

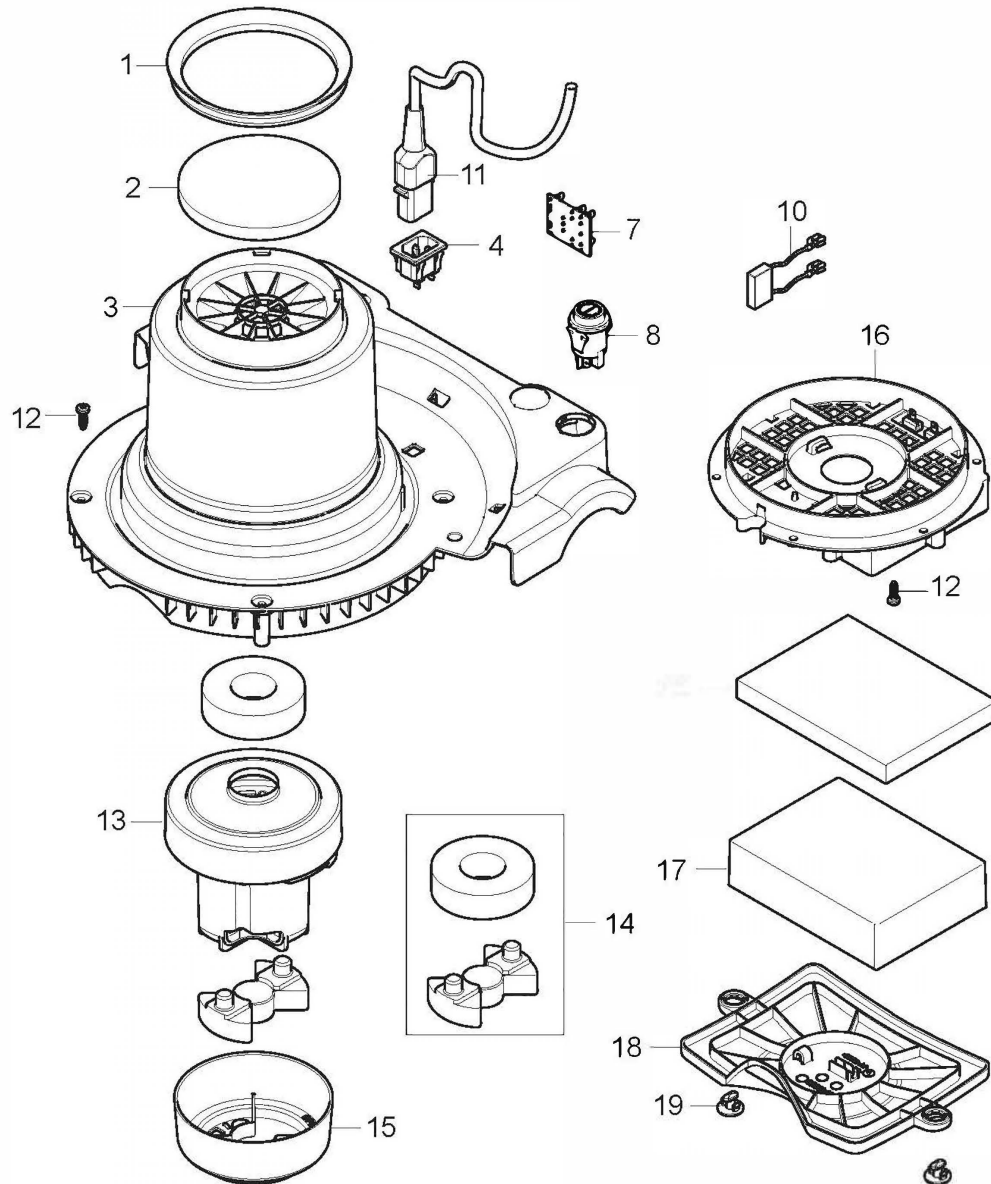
# TABLE OF CONTENTS

---

Top and container .....	1
Motor and electric .....	3
Accessories .....	5



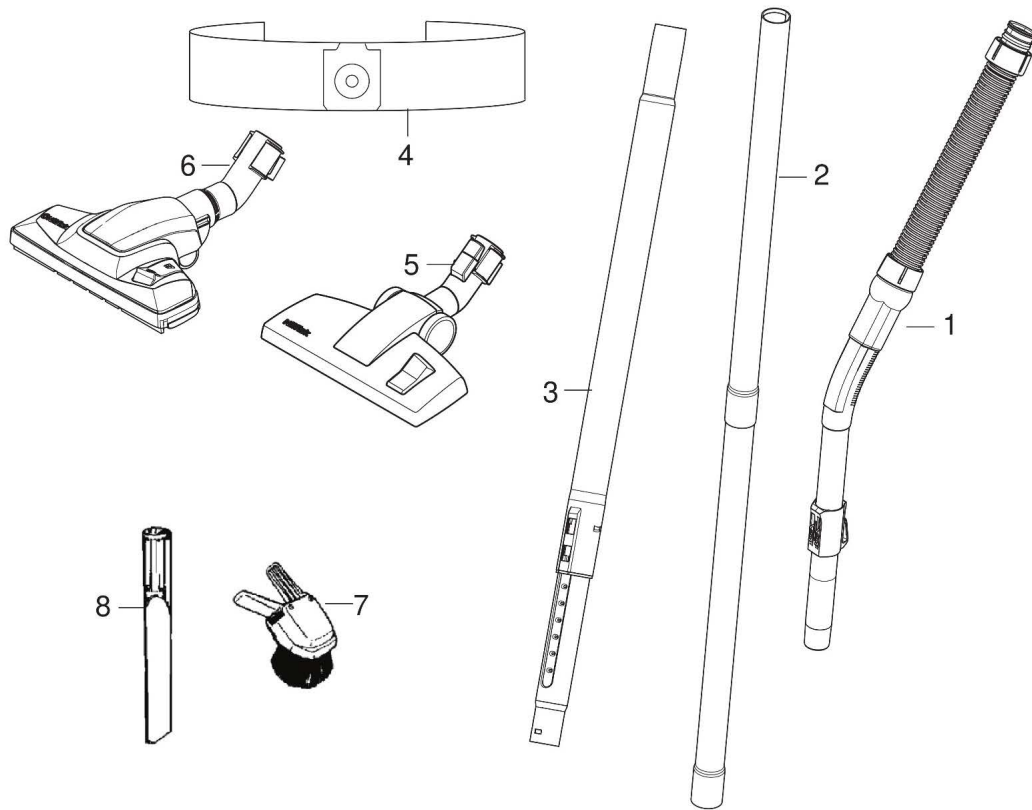
Pos.	Artikel-Nr.	Menge	Variante	Notes
1	107420867	1	LID BLACK	
2	140 0061 030	1	Dichtung GD 930	
3	140 2666 010	1	HEPA-Filter	
4	107420877	1	BELT BLACK KIT	
5	107420874	1	LATCHES KIT	
6	107420889	1	VP930 PRO CONTAINER CHROMED	
7	107420870	1	SUPPORT BLACK (VP/GD930)SUPPORT BLACK	
8	107420890	1	DECAL NILFISK VP930 PRO HEPA	
9	140 5059 000	1	Achse (Shaft)SHAFT L 369MM DIAM. 8MM	
10	140 5055 500	1	Laufgradsatz GD 930	
11	107418905	1	BOTTOM PLATE KIT VP930 BLACK	
12	140 7025 500	1	Lenkrolle GD 930	
13	140 7022 500	1	MUFFLER STRIP	
14	140 9214 070	10	Schraube 50x14	
15	140 7800 500	1	Einlassfitting inkl. Beutelhalterung KIT	
16	140 7013 000	1	Zwischenstück zu GD 930	



Pos.	Artikel-Nr.	Menge	Variante	Notes
1	107418901	1	GASKET FILTER SEAL	
2	140 1535 510	1	Filter-Motorschutz, VPE 3	
3	107420895	1	VP930 PRO STAND SD	
4	107420897	1	POWER INLET C14	
7	140 7024 500	1	Schaltkarte GD 930	
8	107408927	1	Schalter ON/OFF 930-SERIES	
10	140 8166 010	1	Kondensator GD 930	
11	107402901	1	Netzkabel 15 m, abnehmbar, orange	
11	107401954	1	CORD SET 10M ORANGE UK	[1]
12	140 9214 070	1	Schraube 50x14	
13	107418650	1	Motor 780W - 220-240V/50-60HZ	
14	107418908	1	MOTOR SUPPORT	
15	107418909	1	ADAPTER F. TURBINE VP930	
16	107418911	1	FILTER HOLDER W.INSERTS VP930	
17	107420708	1	FOAM EXHAUST VP930	
18	107418913	1	LID F. BOTTOM VP930 BLACK	
19	107413069	2	Q TURN	

Part Notes:

[1] - ONLY USED FOR PRODUCTION



Pos.	Artikel-Nr.	Menge	Variante	Notes
1	140 2782 500	1	Schlauch PVC kpl., Ø 32 mmx1,9 m	
2	011 6431 500	2	Verlängerungsrohr Alu Ø 32x500 mm	
3	011 8130 500	1	Teleskoprohr Alu Ø 32 mm	
4	107420630	1	FLEECE DUST BAG 5 PCS	
5	011 3104 500	1	Kombidüse klein	
6	140 6700 540	1	Hartbodendüse Ø 32 mm	
7	011 3104 500	1	Kombidüse klein	
8	010 3098 500	1	Fugendüse Ø 32 x 250 mm	
	107420630	1	FLEECE DUST BAG 5 PCS	
	107420784	1	FLEECE DUST BAG 10PCS	
	107420860	1	MAINTENANCE KITS LIGHT	
	107420862	1	MAINTENANCE KITS PLUS	

