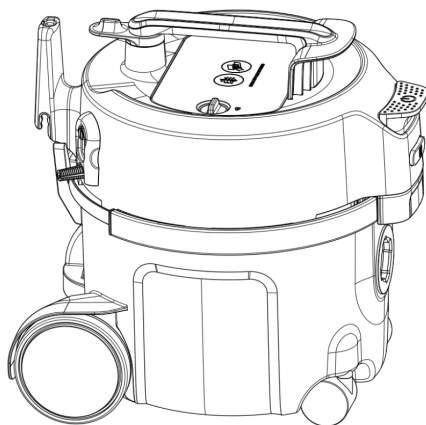


PARTS LIST

VP 300

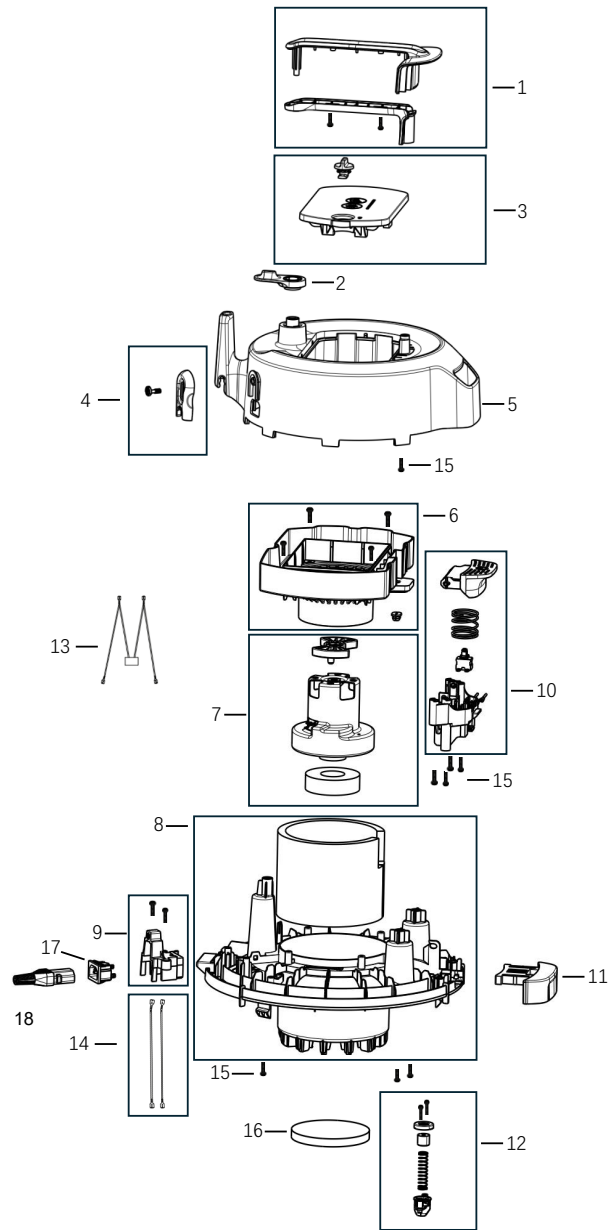


2025.08.21

NILFISK

TABLE OF CONTENTS

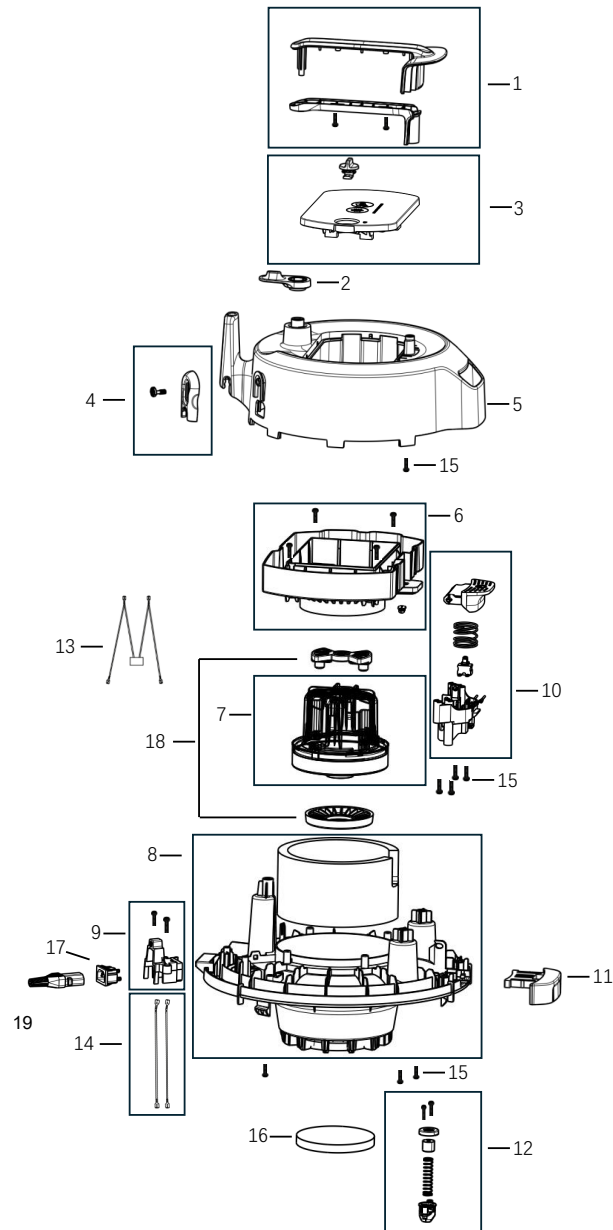
OVERVIEW_SINGLE_DETACH.....	1
OVERVIEW_SINGLE_DETACH FOR 463 MOTOR.....	3
CONTAINER.....	5
ACCESORIES.....	7



Pos.	Artikel-Nr.	Menge	Variante	Notes
1	55943964	1	HANDLE FOR VP300 KIT NEED ASSM	
1	559505150	1	HANDLE PINK KIT	[1]
2	55943965	1	QUICK RELEASE CLIP SP	
2	559505152	1	QUICK RELEASE CLIP PINK SP	[1]
3	559505119	1	EXHAUST FILTER PANEL FOR 230V 800W KIT	
3	559505151	1	EXHAUST FILTER PANEL FOR 230V 800W PINK	[1]
4	55944019	1	CORD LOCK SP	
5	55943967	1	UPPER COVE DETACHABLE PRINT SP	
5	559505156	1	UPPER COVER-DETACHABLE RECYCLE PRINT SP	[2]
5	559505153	1	UPPER COVER-DETACHABLE PINK PRINT SP	[1]
6	55943985	1	MOTOR CAP KIT	
7	55943988	1	DOMEL 441.3.302-50 SP	
8	559505120	1	CHASSIS DETACHABLE FOR 230V 800W KIT	
8	559505157	1	CHASSIS DETACHABLE FOR 230V 800W RECYCLE	[2]
9	55943972	1	INLET HOLDER SP	
10	55943977	1	FOOT BUTTON KIT	
10	559505154	1	FOOT BUTTON PINK KIT	[1]
11	55943981	1	LATCH SP	
11	559505155	1	LATCH PINK SP	[1]
12	55943982	1	VALVE KIT NEED ASSM	
13	559505144	1	SINGLE SPEED SUPRESSOR AU/EU/US/CN SP	
14	559505143	1	SUPRESSOR FOR POWER INLET C14	
15	107419089	1	SCREW PT K40X20 COMBI TORX KIT	
16	147 0670 500	1	Motorfilter	
17	107420897	1	POWER INLET C14	
18	559505160	1	DETACHABLE POWER CORD 10M EU ORANGE SP	[3]
18	559505161	1	DETACHABLE POWER CORD 15M EU ORANG SP	[4]
18	559505162	1	DETACHABLE POWER CORD 10M UK SP	[5]
18	559505165	1	NETZKABEL ABNEHMBAR 10M CH SP	[6]
18	559505171	1	DETACHABLE POWER CORD 10.5M ZA SP	[7]
18	559505169	1	DETACHABLE POWER CORD 15M CN SP	[8]
18	559505172	1	DETACHABLE POWER CORD 10M EU BLACK SP	[9]
18	559505168	1	DETACHABLE POWER CORD 10M AU BLACK SP	[9]

Part Notes:

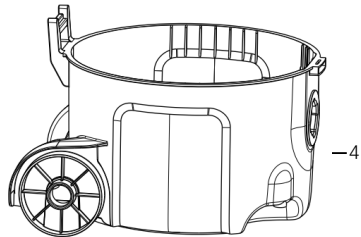
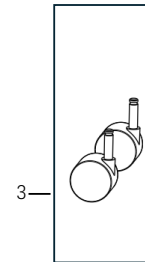
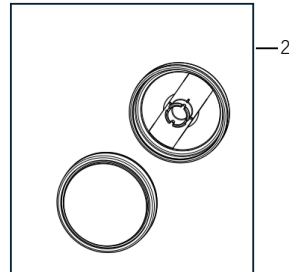
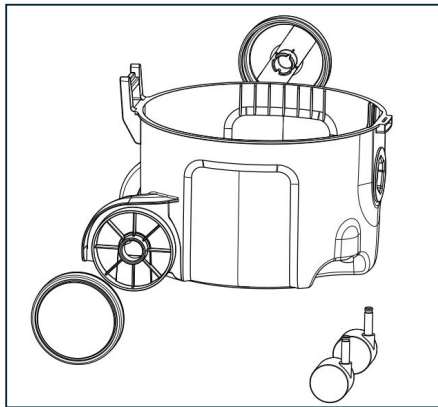
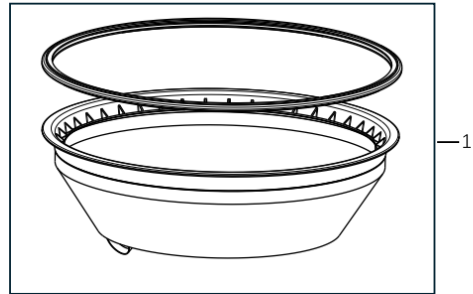
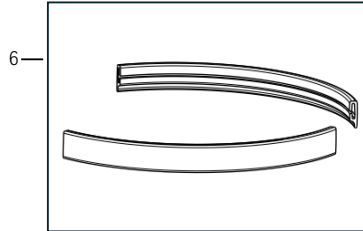
- [1] - For Pink model
- [2] - For model which made of recycled material
- [3] - For model 107421143; 107421157
- [4] - For model: 107421145
- [5] - For model 107421146; 107421159
- [6] - For model 107421149
- [7] - For model 107421155
- [8] - For model 107421158
- [9] - For model 107421156



Pos.	Artikel-Nr.	Menge	Variante	Notes
1	55943964	1	HANDLE FOR VP300 KIT NEED ASSM	
2	55943965	1	QUICK RELEASE CLIP SP	
3	55943966	1	EXHAUST FILTER PANEL FOR 120V 800W KIT N	
4	55944019	1	CORD LOCK SP	
5	55943967	1	UPPER COVE DETACHABLE PRINT SP	
6	55943968	1	MOTOR CAP FOR DOMEL 463 MOTOR KIT	
7	559505118	1	DOMEL 463.3.270-123 SP	
7	559505181	1	DOMEL 463.3.403-24 120V 800W KIT	
8	55943971	1	CHASSIS DETACHABLE FOR 463 MOTOR KIT	
9	55943972	1	INLET HOLDER SP	
10	55943977	1	FOOT BUTTON KIT	
11	55943981	1	LATCH SP	
12	55943982	1	VALVE KIT NEED ASSM	
13	559505144	1	SINGLE SPEED SUPPRESSOR AU/EU/US/CN SP	
14	559505143	1	SUPPRESSOR FOR POWER INLET C14	
15	107419089	1	SCREW PT K40X20 COMBI TORX KIT	
16	147 0670 500	1	Motorfilter	
17	107420897	1	POWER INLET C14	
18	55943980	1	SEALING FOR DOMEL 463 MOTOR KIT	
19	559505167	1	DETACHABLE POWER CORD 10M AU SP	[1]
19	559505168	1	DETACHABLE POWER CORD 10M AU BLACK SP	[2]
19	559505164	1	DETACHABLE POWER CORD 10M US ORANGE SP	[3]

Part Notes:

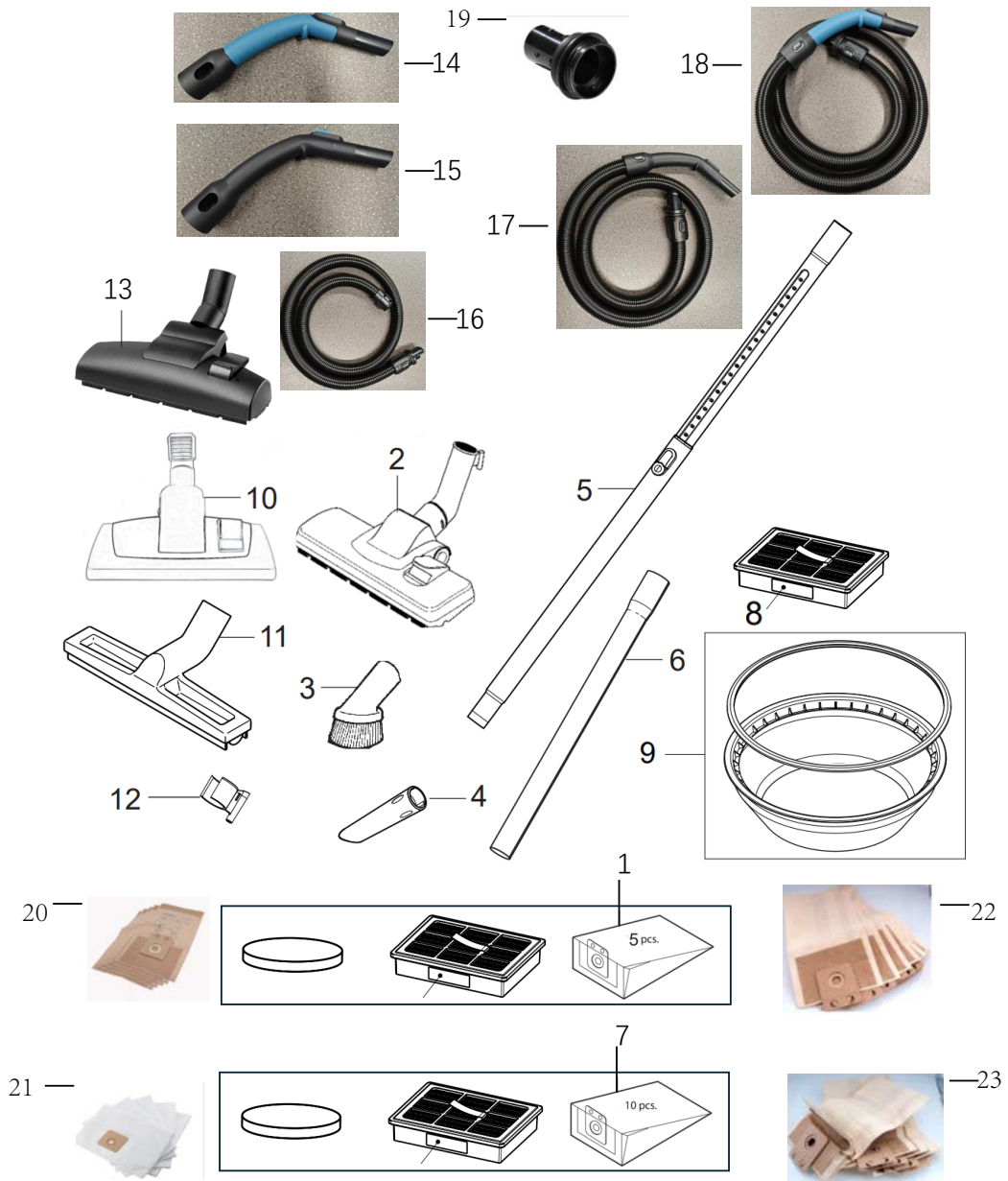
- [1] - For model:
107421152
107421153
- [2] - For model: 107421160
- [3] - For model:
107421148



Pos.	Artikel-Nr.	Menge	Variante	Notes
1	147 1432 500	1	Sackfilter	
2	55943975	1	REAR WHEEL SP	
3	140 6422 500	1	Lenkrolle 2 stk.	
4	559505158	1	CONTAINER VP300 RECYCLED SP	[1]
4	55943974	1	CONTAINER VP300 SP	
5	559505159	1	CONTAINER VP300 RECYCLED KIT NEED ASSM	[1]
5	55943976	1	CONTAINER VP300 KIT NEED ASSM	
6	55943973	1	BUMPER SP	

Part Notes:

[1] - For model: 107421159 (UK) ; 107421157 (EU) ; 107421150 (JP)



Pos.	Artikel-Nr.	Menge	Variante	Notes
1	107421454	1	MAINTENANCE KIT VP300/400/500/700 -LIGHT	
2	107405141	1	COMBI NOZZLE VP300JP	
3	140 8244 500	1	Pinseldüse Ø 32 mm	
4	147 0146 500	1	Konische Düse Ø 32 mm	
5	107421463	1	Telescopic Tube Alu - Black/Blue	
6	107421471	2	EXTENSION TUBE ALUMINIUM BLACK	
6	140 8246 040	2	Verlängerungsrohr Ø 32 x 450 mm, stahl	
6	140 8246 050	2	Verlängerungsrohr Ø 32 x 500 mm	
7	107421455	1	MAINTENANCE KIT VP300/400/500/700 - PLUS	
8	107421443	1	HEPA H14 FILTER	
8	107421444	1	STANDARD FILTER	
9	147 1432 500	1	Sackfilter	
10	107417790	1	Kombibodendüse RD295P mit Clip	
11	140 6700 540	1	Hartbodendüse Ø 32 mm	
11	140 8492 520	1	Kombibodendüse RD295 m. Clip, Ø 32 mm	
12	147 0585 500	1	Verstauklemme schwarz	
13	107411677	1	Kombibodendüse Ø 32x270 mm	
14	107421445	1	BENT END PREM	
15	107421446	1	BENT END	
16	107421449	1	HOSE W CONNECTORS	
17	107421450	1	HOSE CPL W BENT END D32	
18	107421451	1	HOSE CPL W BENT END PREM D32	[1]
19	107401199	1	Numatic Adapter, Vpe 20Stk.	
20	82367810	1	Staubbeutel, 9,5 Liter, VPE 5	
21	82367820	1	Staubbeutel Vlies 10 Liter, VPE 10	
22	140 8618 000	1	Filtersack 10 Liter, VPE 10	
23	82222900	1	Staubbeutel 9,5L 5 Stück	

Part Notes:

[1] - TSB-COM-VAC 2025-001 VP300_VP400 Bent-end coming loose

