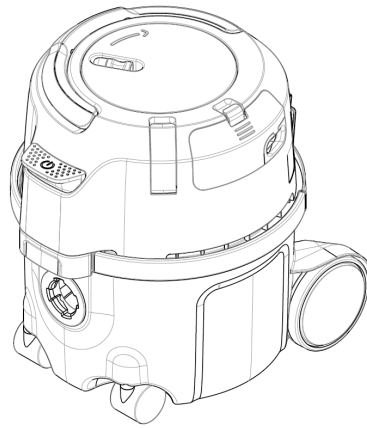


# PARTS LIST

VP400



1

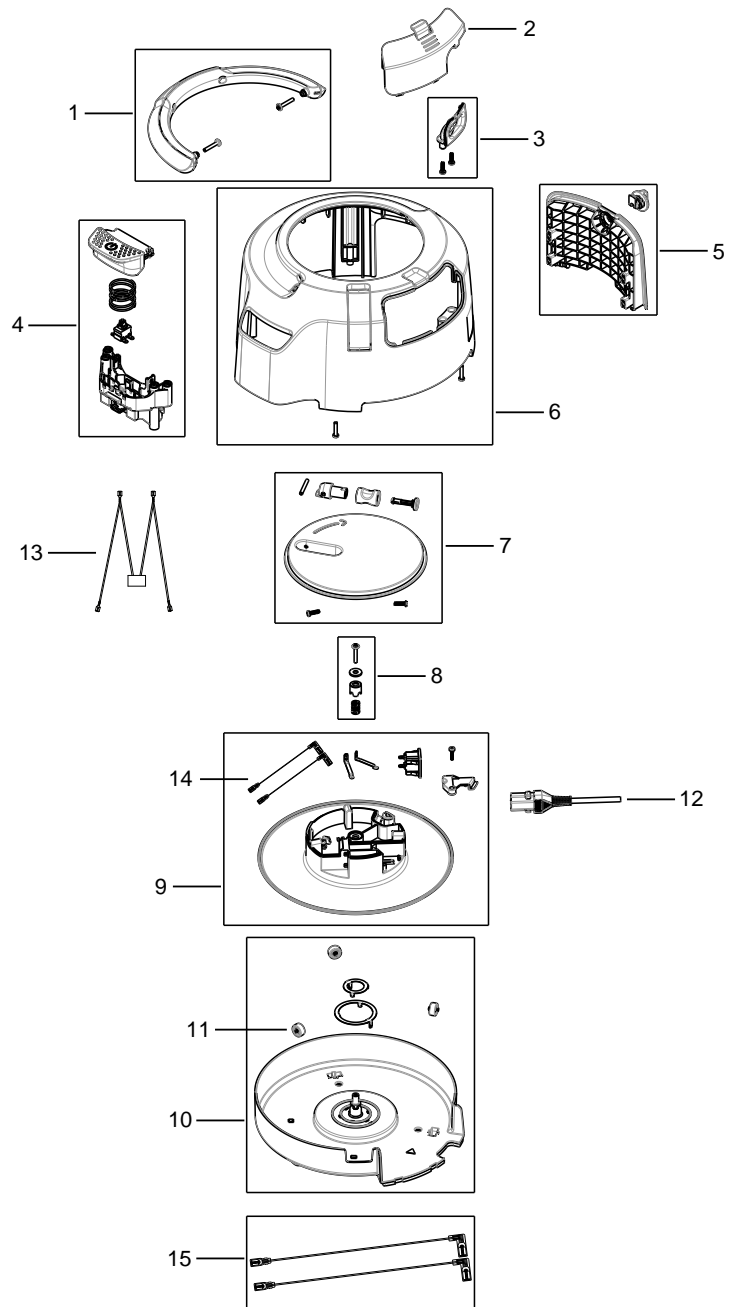
2026.03.06

# NILFISK

# TABLE OF CONTENTS

---

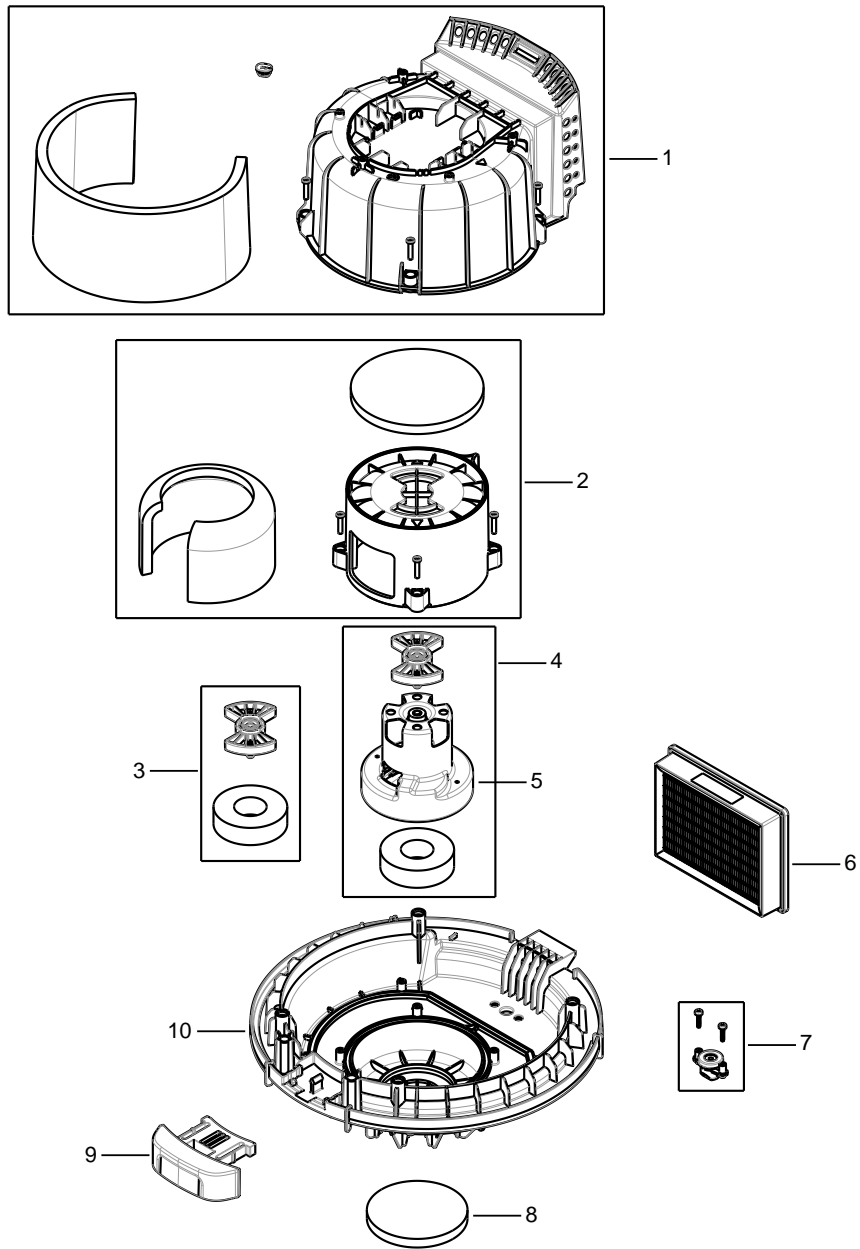
VP400_Single_speed_MOTOR HEAD.....	1
VP400_CORE MODULE.....	3
VP400_CONTAINER.....	5
ACCESORIES.....	7



Pos.	Artikel-Nr.	Menge	Variante	Notes
1	55943993	1	HANDLE KIT	
2	55943994	1	ABDECKUNG KABELINZUG	
3	55943995	1	CABLE ENTRANCE SP	
4	55943977	1	FOOT BUTTON KIT	
5	55943997	1	HEPA FITER DOOR KIT	
6	559505128	1	UPPER COVER SINGLE SPEED RECYCLED WITH P	[1]
6	55943996	1	UPPER COVER SINGLE SPEED WITH PRINT KIT	
7	55944006	1	TOP PLATE KIT	
7	559505127	1	TOP PLATE KITTop Plate kit Recycled	[2]
8	55944010	1	BUSHING KIT	
9	55944009	1	REWINDER REEL KIT	
10	55944012	1	REWINDER BASE KIT	
11	55944011	1	REWINDER ROLLER SP	
12	559505160	1	DETACHABLE POWER CORD 10M EU ORANGE SP	
12	559505161	1	DETACHABLE POWER CORD 15M EU ORANG SP	
12	559505164	1	DETACHABLE POWER CORD 10M US ORANGE SP	
12	559505169	1	DETACHABLE POWER CORD 15M CN SP	
12	559505173	1	DETACHABLE POWER CORD 15M UK ORANGE SP	
12	559505174	1	NETZKABEL ABNEHMBAR 15M CH ORANGE SP	
12	559505175	1	DETACHABLE POWER CORD 15M AU/NZ SP	
13	559505144	1	SINGLE SPEED SUPRESSOR AU/EU/US/CN SP	
14	559505182	1	WIRE FROM INLET TO SLIDING CONTACT SP	
15	559505183	1	WIRE FROM SLIDING CONTACT TO SWITCH SP	
NS	559505138		VP400 NORMAL BOX 10PCS KIT SP	[3]
NS	559505139		VP400 TALL BOX 10PCS KIT SP	[4]

## Part Notes:

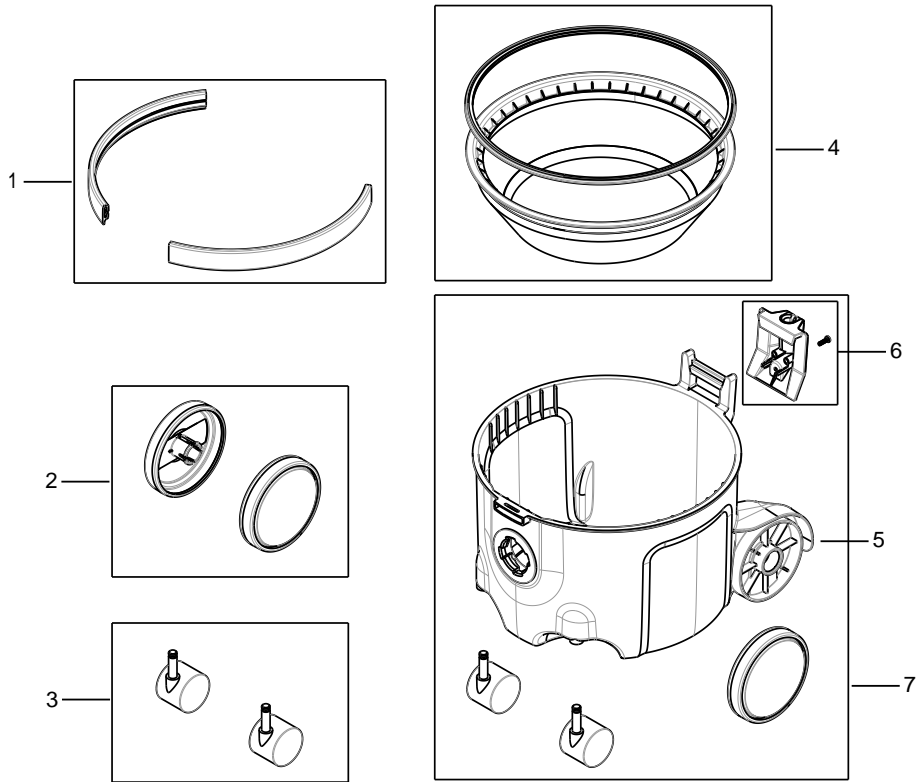
- [1] - For model 107421177
- [2] - This top plate kit contains recycled material, for model: 107421177
- [3] - For machine: 107421170; 107421174; 107421169; 107421172; 107421176
- [4] - For machine: 107421171; 107421173; 107421175; 107421177



Pos.	Artikel-Nr.	Menge	Variante	Notes
1	55943999	1	MOTOR HOUSING KIT	
1	559505131	1	MOTOR HOUSING RECYCLED KIT	
2	55944001	1	MOTOR COVER KIT	
2	559505133	1	MOTOR COVER FOR DOMEL 441 MOTOR RECYCLED	
2	559505132	1	MOTOR COVER FOR DOMEL 463 MOTOR KIT	[1]
3	107418811	1	MOTOR SUSPENSION KIT	
3	559505130	1	VIBRATION DAMPER FOR DOMEL 463 MOTOR SP	[1]
4	55943988	1	MOTOR DOMEL 441.3.302-50 SP	[2]
5	559505181	1	DOMEL 463.3.403-24 120V 800W KIT	[3]
5	559505118	1	DOMEL 463.3.270-123 SP	[4]
6	147 1250 500	1	HEPA FILTER H13	
6	107421443	1	HEPA H14 FILTER	
7	55943982	1	VALVE KIT NEED ASSM	
8	147 0670 500	1	Motorfilter	
9	55943981	1	LATCH SP	
10	55944004	1	CHASSIS SP	
10	559505129	1	CHASSIS RECYCLED SP	[5]

## Part Notes:

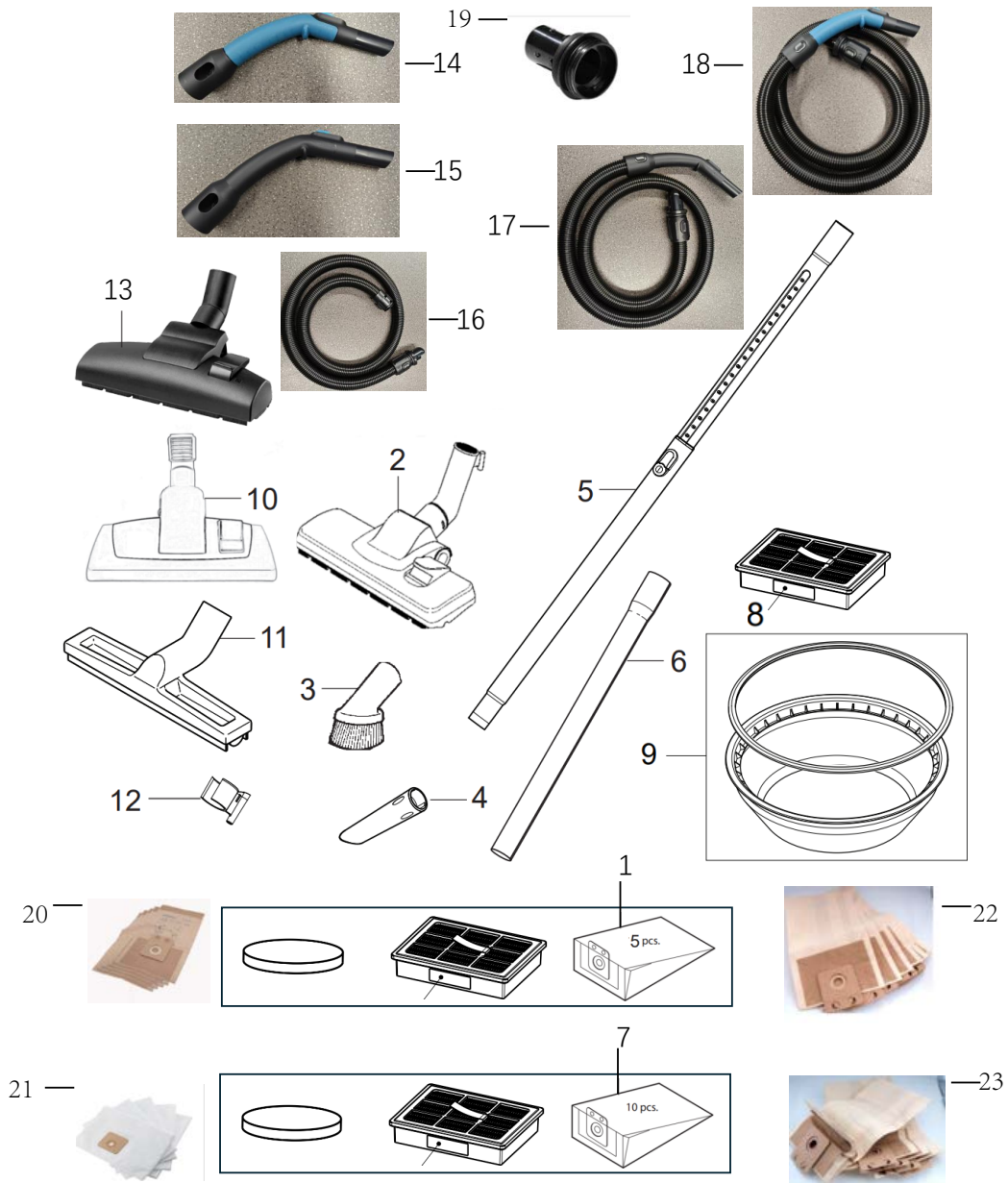
- [1] - For (107421174) US, (107421175) AU/ NZ models
- [2] - Applicable for models: 107421170; 107421169; 107421171; 107421172; 107421173; 107421176; 107421177
- [3] - For (107421174) US
- [4] - For (107421175) AU/ NZ models
- [5] - For model 107421177



Pos.	Artikel-Nr.	Menge	Variante	Notes
1	55943973	1	BUMPER SP	
2	55943975	1	REAR WHEEL SP	
3	140 6422 500	1	Lenkrolle 2 stk.	
4	147 1432 500	1	Sackfilter	
5	55944013	1	CONTAINER SP	
5	559505134	1	CONTAINER RECYCLED SP	[1]
6	55944016	1	PARKING CLIP SP	
7	559505125	1	CONTAINER KIT	
7	559505135	1	CONTAINER RECYCLED KIT	[1]

## Part Notes:

[1] - For model 107421177



Pos.	Artikel-Nr.	Menge	Variante	Notes
1	107421454	1	MAINTENANCE KIT VP300/400/500/700-LIGHT	
2	107405141	1	COMBI NOZZLE VP300JP	
3	140 8244 500	1	Pinseldüse Ø 32 mm	
4	147 0146 500	1	Konische Düse Ø 32 mm	
4	81530400	1	Fugendüse, PVC Ø 32x245 mm	
4	147 0146 500	1	Konische Düse Ø 32 mm	
4	107413081	1	Hartbodendüse 495mm	
4	107413080	1	Hartbodendüse m. Clip, 350 mm, grau	
5	107421463	1	TELESCOPIC TUBE ALU - BLACK/BLUE	
6	107421471	2	EXTENSION TUBE ALUMINIUM BLACK	
6	140 8246 040	2	Verlängerungsrohr Ø 32 x 450 mm, stahl	
6	140 8246 050	2	Verlängerungsrohr Ø 32 x 500 mm	
7	107421455	1	MAINTENANCE KIT VP300/400/500/700 - PLUS	
8	147 1250 600	1	HEPA-Filter H 13 (rechteckig, blau)	
8	107421443	1	HEPA H14 FILTER	
8	107421444	1	STANDARD FILTER	
9	147 1432 500	1	Sackfilter	
10	107417790	1	Kombibodendüse RD295P mit Clip	
11	140 6700 540	1	Hartbodendüse Ø 32 mm	
11	140 8492 520	1	Kombibodendüse RD295 m. Clip, Ø 32 mm	
12	147 0585 500	1	Verstauklemme schwarz	
13	107411677	1	Kombibodendüse Ø 32x270 mm	
15	107421446	1	BENT END	
14	107421445	1	BENT END PREM	
16	107421449	1	SAUGSCHLAUCH MIT ANSCHLÜSSEN	
17	107421450	1	SAUGSCHLAUCH MIT HANDROHRBOGEN D32	
18	107421451	1	HOSE CPL W BENT END PREM D32	[1]
19	107401199	1	Numatic Adapter, Vpe 20Stk.	
20	82367810	1	Staubbeutel, 9,5 Liter, VPE 5	
21	82367820	1	Staubbeutel Vlies 10 Liter, VPE 10	
22	140 8618 000	1	Filtersack 10 Liter, VPE 10	
23	82222900	1	Staubbeutel 9,5L 5 Stück	
23	22251800	1	Stoffsackset	
24	140 1535 000	1	FILTER DIAMTER 110 MM	

Part Notes:

- [1] - TSB-COM-VAC 2025-001 VP300\_VP400 Bent-end coming loose

