

PARTS LIST

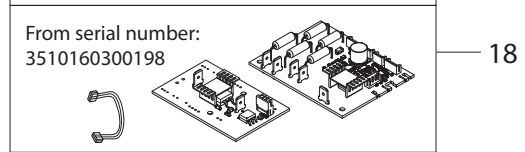
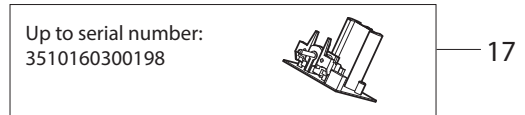
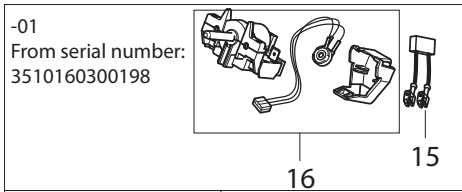
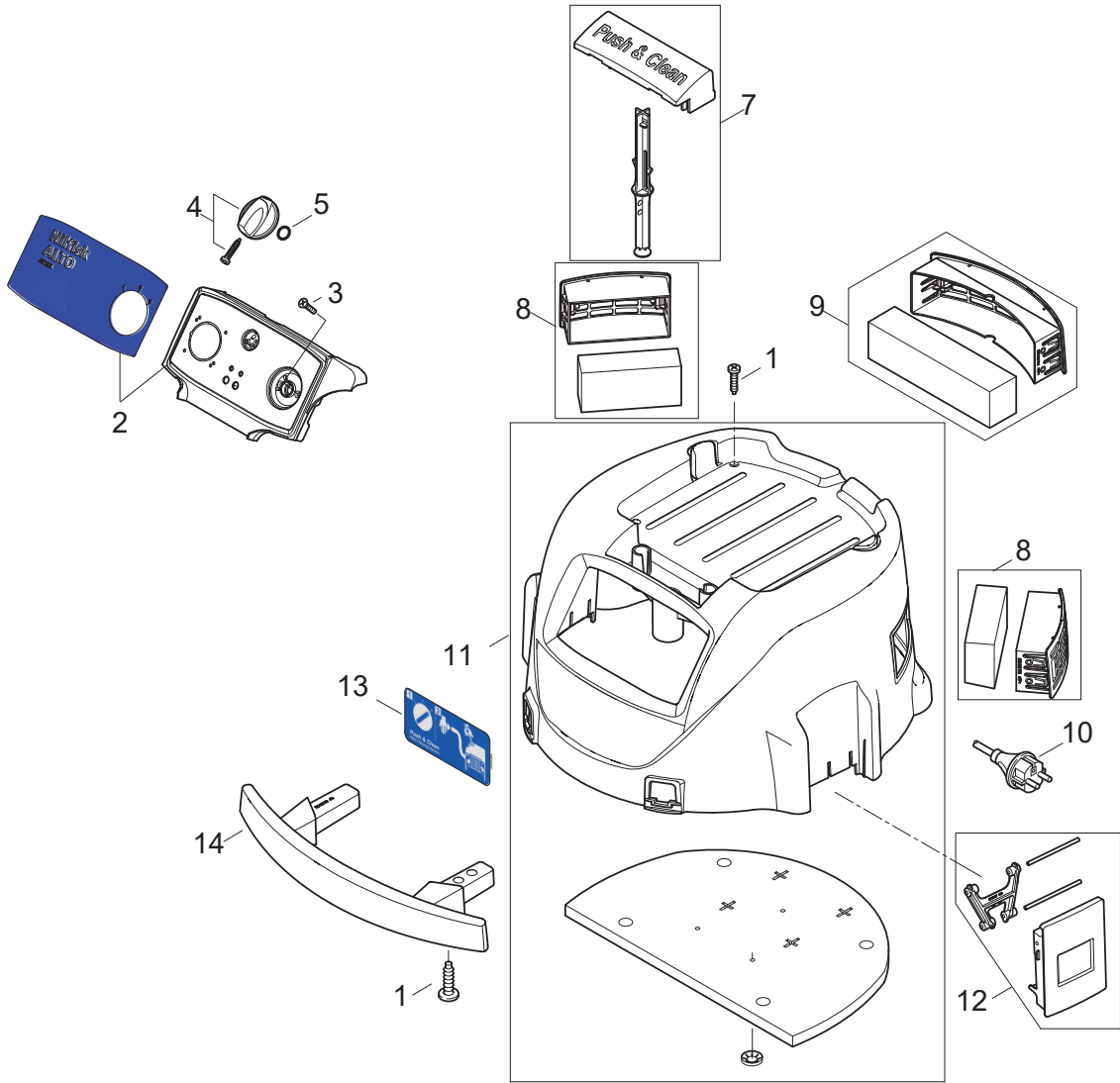


2025.11.20

NILFISK

TABLE OF CONTENTS

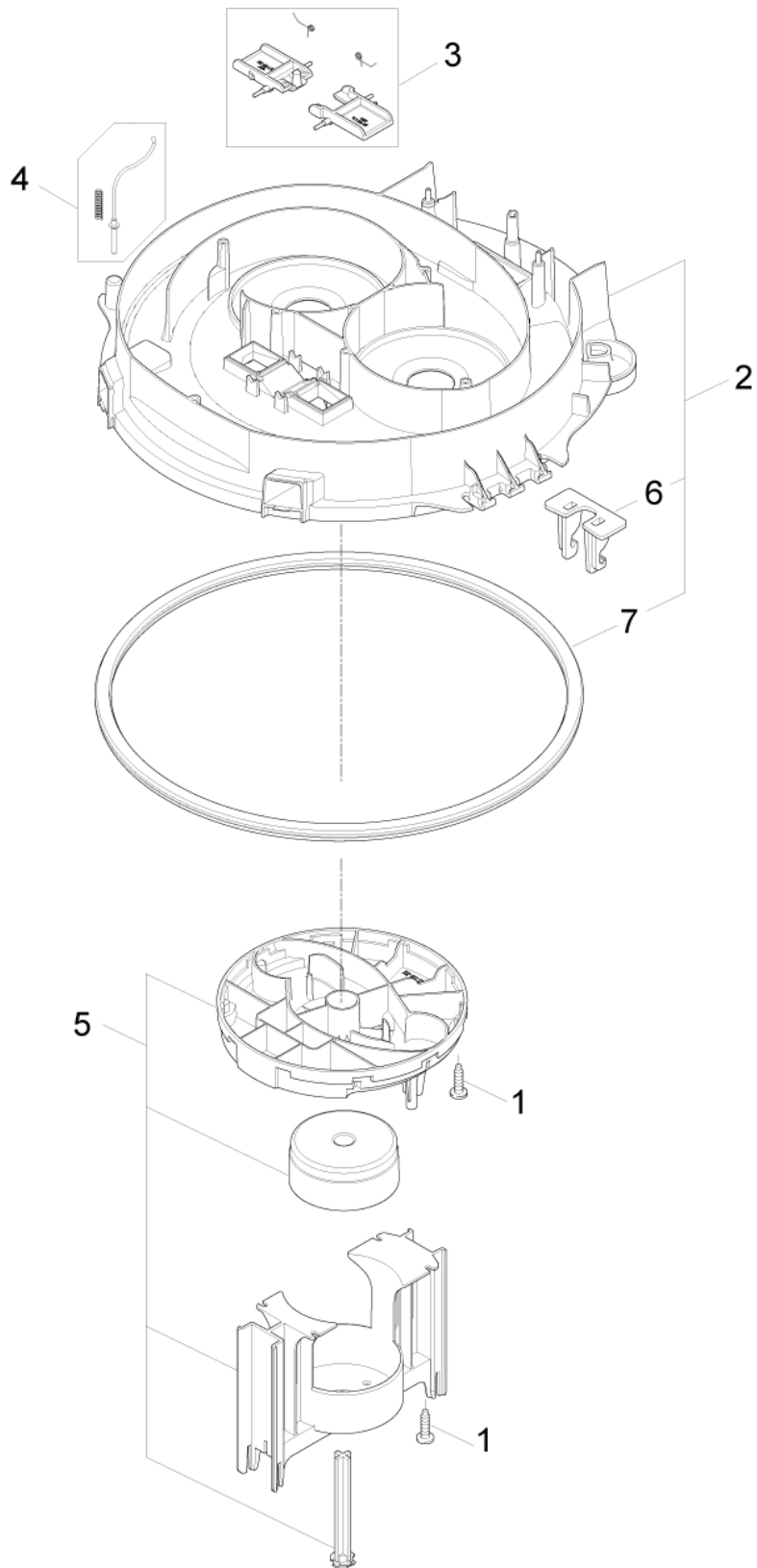
Cabinet BASIC	1
Base BASIC	3
Filter system	5
Motor and motor top BASIC	7
Container and chassis BASIC	9
Accessories	11
RECOMMENDED SPARE PARTS	13



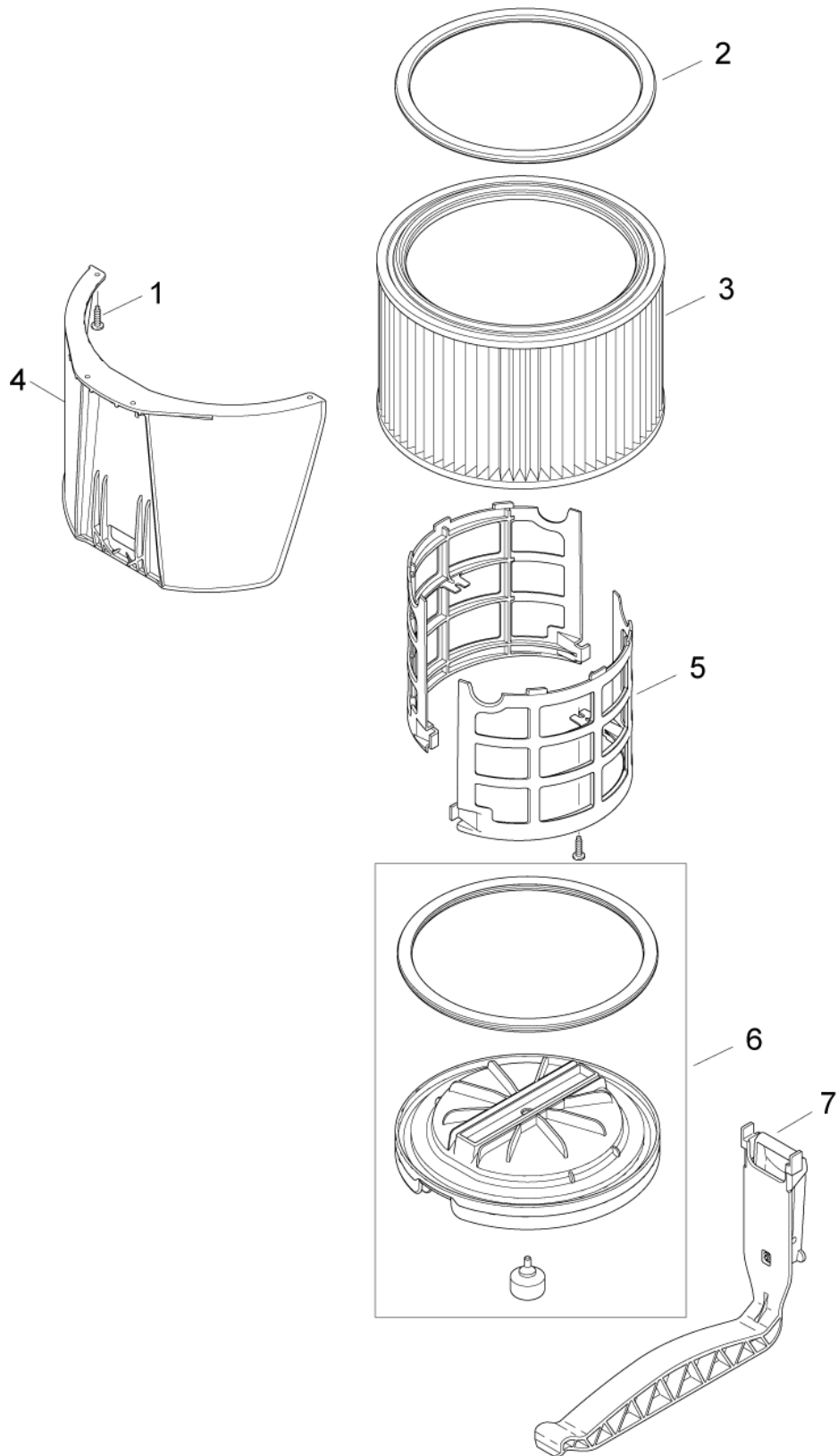
Pos.	Artikel-Nr.	Menge	Variante	Notes
0	302001792	1	Faltschachtel ATTIX 7 neutral 2.40 BC	
1	302003376	1	Schraubenkit	
2	302003399	1	Frontplatte Attix 961-01	
3	18274	2	Senkschraube M4x12	
4	909100204	1	Drehknopf 6x5 blau	
5	9868	1	O-Ring 10x2,5	
7	302003395	1	Druckschalter für	
8	302003397	2	Diffusor	
9	302003398	1	Abluftfilter Attix 9	
10	302002788	1	Netzkabel 1,5x10,6m GB	[1]
10	302002790	1	LTG NETZ H07BQ-F3G2.5X10.8M CE	[2]
10	107420521	1	POWER CORD H07RN-F 3G1,0MM IP55 CH	[3]
10	107402666	1	Netzkabel 1,5x10 - 8 m EU	[4]
10	302002791	1	WIRE NETZ H07RN-F3G1.0X10.8M	[5]
11	302003394	1	HOOD KIT ATTIX 9/IVB9-P AND C	
12	302003383	1	Klammernkit	
13	302002899	1	LABEL PUSH AND CLEAN	
14	302002590	1	Frontbügel IVB 961	
15	107404542	1	Entstörkondensator	
16	107415193	1	Drehschalter 3Pos 16A komplett	[6]
17	107401080	1	Elektronik Attix 9	[6]
17	107407434	1	ELEKTRONIK I-0-II ATTIX 9 110V KIT	[6]
18	107415191	1	Softstart Platine 2mot 220-240V	[6]
18	107415192	1	PCBA 2M-1S KIT1 100-120V	[6]
19	107414081	1	WIRE/CAPACITOR KIT1	[6]

Part Notes:

- [1] - 230/1/50 GB
- [2] - 110/1/50 GB
- [3] - 230/1/50 CH
- [4] - 230/1/50 EU
- [5] - 230 1 50 DK
- [6] - PB-COM-LI-2016-001 ATTIX-IVB 961_New Electronics



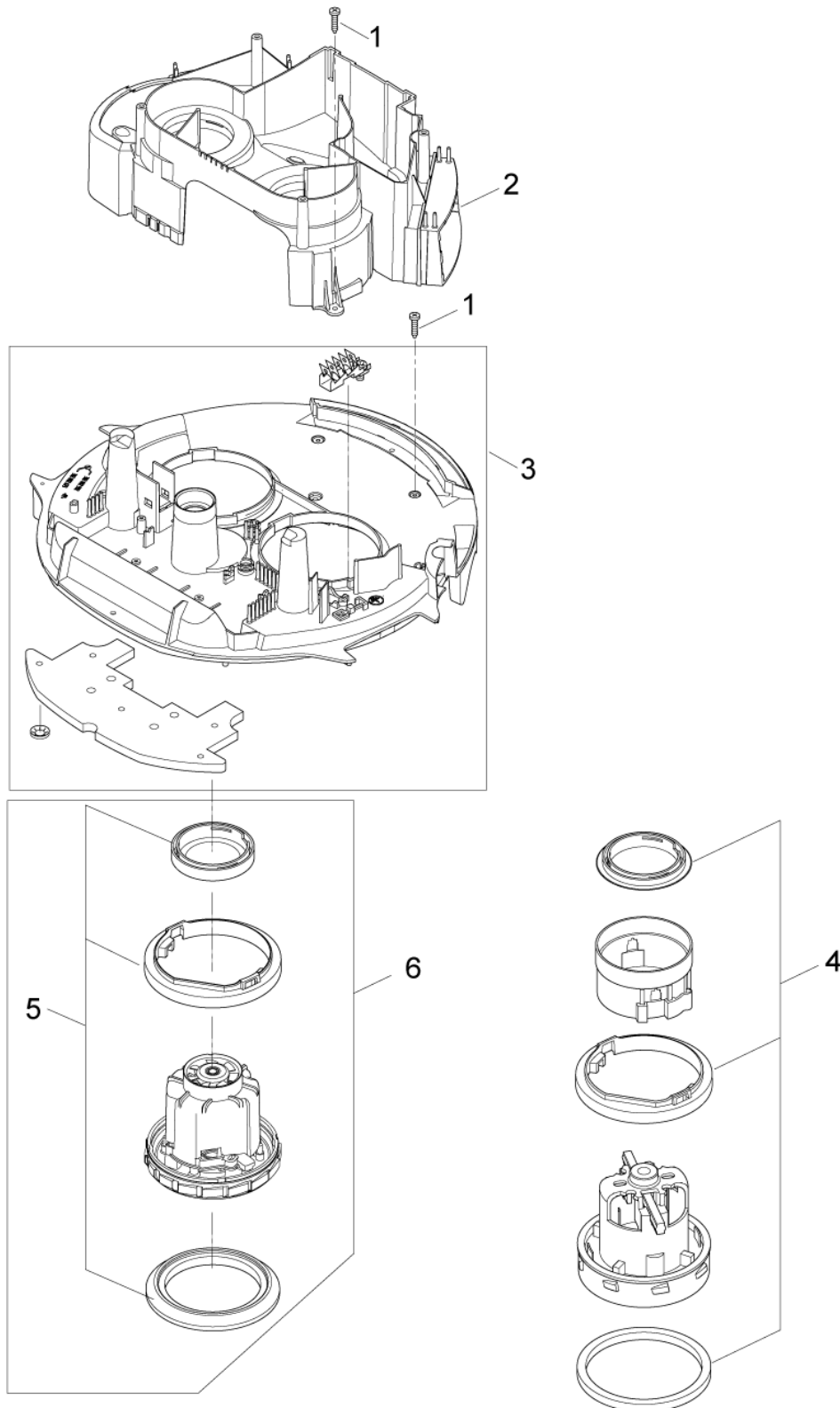
Pos.	Artikel-Nr.	Menge	Variante	Notes
1	302003376	1	Schraubenkit	
2	302003597	1	Trägerplatte ATTIX 9	
3	302003387	1	Push and clean flaps	
4	107402835	1	Federkontakt	
5	302003382	1	Filtertrennung+Schwimmer "ATTIX 9" Set-1	
6	107413313	1	Befestigung 72x32x52	
7	302001432	1	Kesseldichtung IVB 7	



Pos.	Artikel-Nr.	Menge	Variante	Notes
1	302003319	1	SCREW KIT ATTIX/IVB	[1]
1	302003376	1	Schraubenkit	[2]
2	302000697	1	Dichtung Filter IVB 5	
3	107400562	1	Filterelement D275X187 M-Class PET NANO	
4	107402640	1	Abweiser 318x180x212	
5	302000385	1	Filterstützkorb IVB 5	
6	107402653	1	FILTER SURFACE PLATE	
7	107402651	1	Filterfeststell-	

Part Notes:

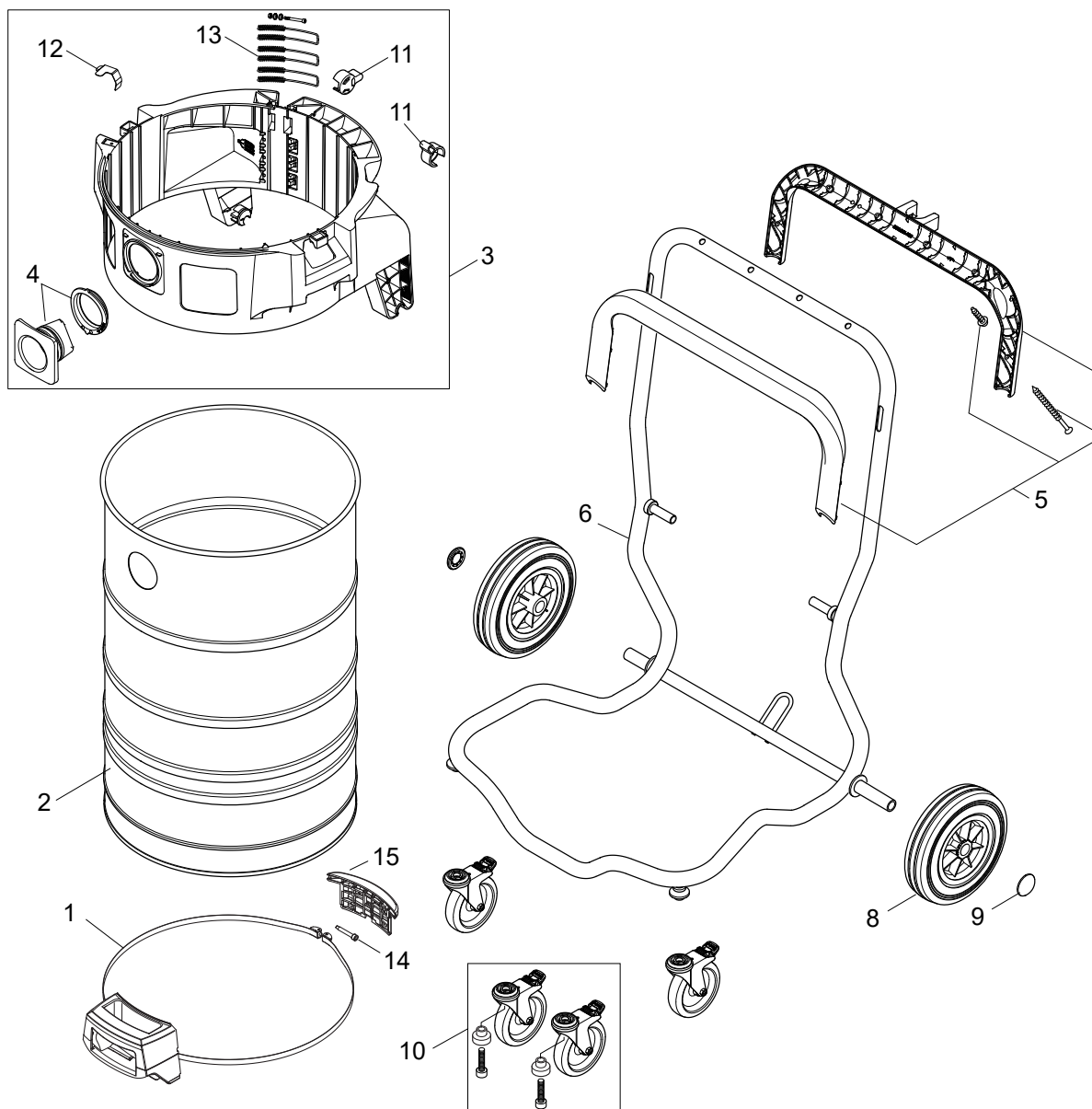
- [1] - BASIC
- [2] - SD XC



Pos.	Artikel-Nr.	Menge	Variante	Notes
1	302003376	1	Schraubenkit	
2	107400043	1	AIRGUIDE - ATTIX 9 TYPE 2	
3	302003389	1	Klemmplattenkit	
4	302003390	1	Dichtungskit	[1]
5	302003385	1	Satz Gummiringe	
6	302003386	1	Turbine Attix 9 1000W	
6	302003384	1	Elektromotor 230/240 V	
6	107417417	1	MOTOR KIT 1000W 110-120V 50/60HZ	[2]

Part Notes:

- [1] - ALTERNATIVE USE 107417417
- [2] - TSB-LI-VACS-2016-001 New Attix 30 and Attix 50 motor



Pos.	Artikel-Nr.	Menge	Variante	Notes
1	302001605	1	Griff mit Spannband	
2	302003377	1	Edelstahlbehälter	
3	302003378	1	Riemenkit Attix 9	
4	302003380	1	Anschluss KIT ATTIX 9/IVB9	[1]
5	302001706	1	Griffschale Ober-u.Untert	
6	302001437	1	Grundrahmen ATTIX 7 sc	
8	107401077	2	Radkit 200x50 2 Stk	
9	3750	2	Kappe	
10	107421372	1	ATTIX 7-9 CASTOR BRAKE KIT	
11	302001441	2	Verriegelung IVB 5 M	
12	107420978	1	PLATE FOR CONTAINER	
13	909100383	1	Druckfeder 1,40x 7,5 x	
14	302001613	1	Zylinderschraube M5x35x5	
15	302001363	1	CONTAINER STOPPER ATTIX 7	

Part Notes:

[1] - See STI VAC-094

**No
Diagram
Available**

**Parts List
Only**

Pos.	Artikel-Nr.	Menge	Variante	Notes
1	302003003	1	Spänekorb Attix9	
2	302002624	1	Zubehörkorb f. ATTIX 965	[1]
3	107409036	1	EXHAUST FITTING KIT D50 ATTIX 9	
4	107400041	1	Motor-Kühlluftfilter	[2]
5	302002622	1	Stapler Anschlagvorrichtu	[3]
7	107400049	1	Muffe, kesselseitig	[4]
7	302002796	1	Saugschlauch, Ø 38 mmx4 m	
8	107402474	1	Verlängerungsrohr Ø 38x500 mm, VPE 2	
9	302002889	1	Handrohr, gebog., Edelstahl, Ø 38 mm	
10	302002890	1	Fugendüse, Ø 38x300 mm	
11	302002884	1	Werkzeugadapter, Ø 38x50 mm	
12	302002798	1	Bodendüse nass/trocken, Ø 38x400 mm	
13	107400562	1	Filterelement D275X187 M-Class PET NANO	
15	302002892	1	Vlies Filtersäcke PU 5 Stk	

Part Notes:

- [1] - GAURANTEE PERIOD EXPIRED
- [2] - Type 22
- [3] - NO REPLACEMENT
- [4] - for 3020002796

**No
Diagram
Available**

**Parts List
Only**

RECOMMENDED SPARE PARTS

ATTIX 961-01

2023.11.23

2016.12.16

Pos.	Artikel-Nr.	Menge	Variante	Notes
01	302000385	1	Filterstützkorb IVB 5	
01	302000697	1	Dichtung Filter IVB 5	
01	302001432	1	Kesseldichtung IVB 7	
01	302002790	1	LTG NETZ H07BQ-F3G2.5X10.8M CE	
01	3750	1	Kappe	
01	107400043	1	AIRGUIDE - ATTIX 9 TYPE 2	
01	302003384	1	Elektromotor 230/240 V	
01	107400562	1	Filterelement D275X187 M-Class PET NANO	
01	107402835	1	Federkontakt	
01	107417417	1	MOTOR KIT 1000W 110-120V 50/60HZ	
01	302003389	1	Klemmplattenkit	
01	302002899	1	LABEL PUSH AND CLEAN	
01	107401077	1	Radkit 200x50 2 Stk	
01	107401054	1	Lenkrollen mit Bremse, VPE 2 Stck	
01	302003378	1	Riemenkit Attix 9	
01	302003386	1	Turbine Attix 9 1000W	
01	107402653	1	FILTER SURFACE PLATE	
01	302003382	1	Filtertrennung+Schwimmer "ATTIX 9" Set-1	
01	302003380	1	Anschluss KIT ATTIX 9/IVB9	
01	302003390	1	Dichtungskit	[1]
01	107402651	1	Filterfeststell-	
01	302003394	1	HOOD KIT ATTIX 9/IVB9-P AND C	
01	302002590	1	Frontbügel IVB 961	
01	302003385	1	Satz Gummiringe	
01	302001441	1	Verriegelung IVB 5 M	
01	302003387	1	Push and clean flaps	
01	302003383	1	Klammerkit	
01	107420521	1	POWER CORD H07RN-F 3G1,0MM IP55 CH	
01	107413313	1	Befestigung 72x32x52	
01	909100204	1	Drehknopf 6x5 blau	
01	107401080	1	Elektronik Attix 9	
01	302003376	1	Schraubenkit	
01	302002791	1	WIRE NETZ H07RN-F3G1.0X10.8M	
01	302003597	1	Trägerplatte ATTIX 9	

Part Notes:

[1] - ALTERNATIVE USE 107417417

