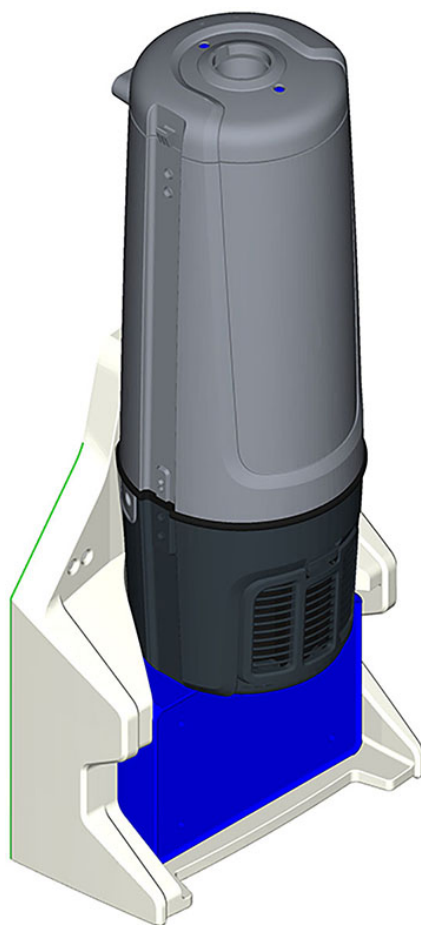


PARTS LIST

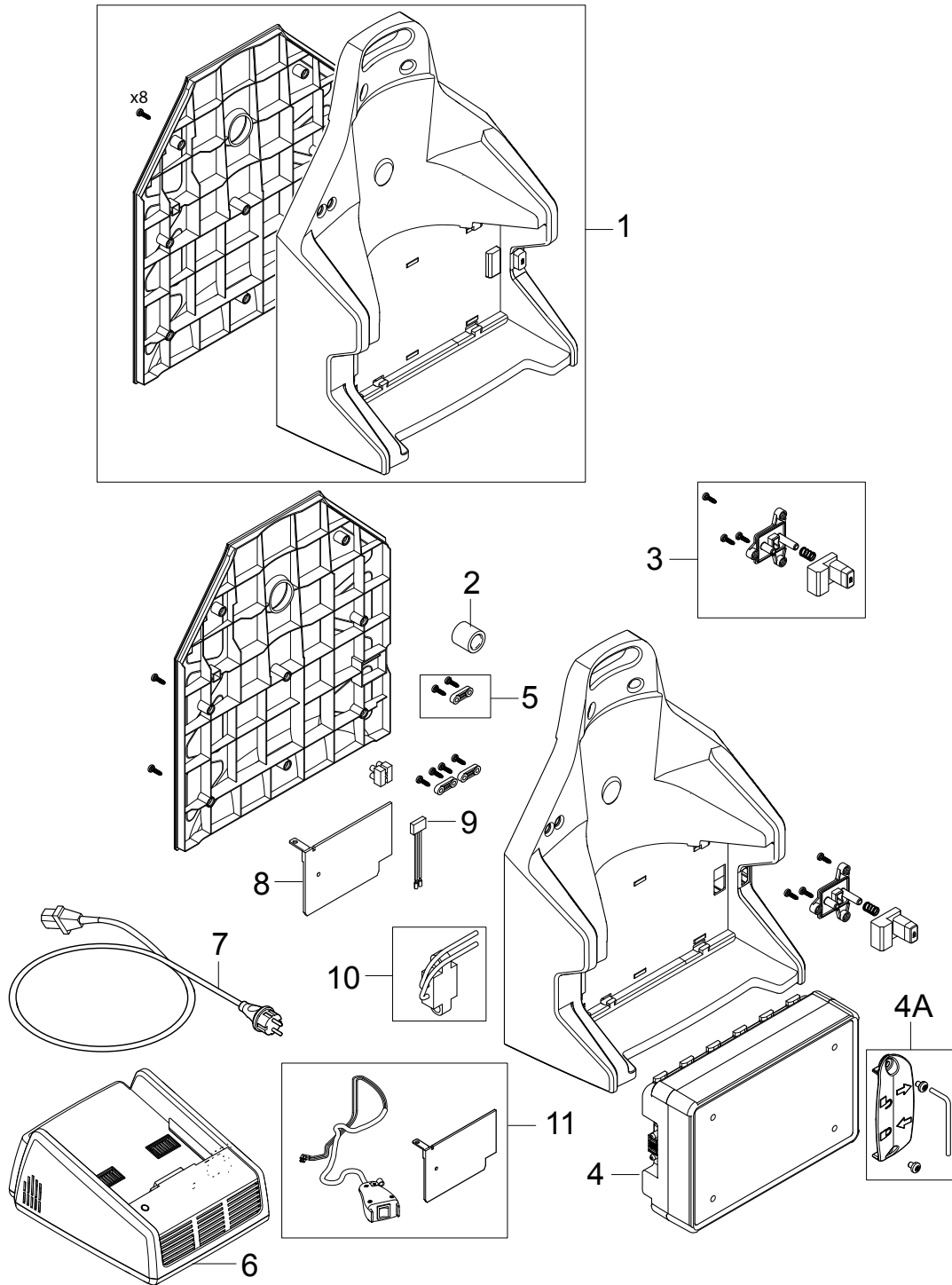


2025.08.29

NILFISK

TABLE OF CONTENTS

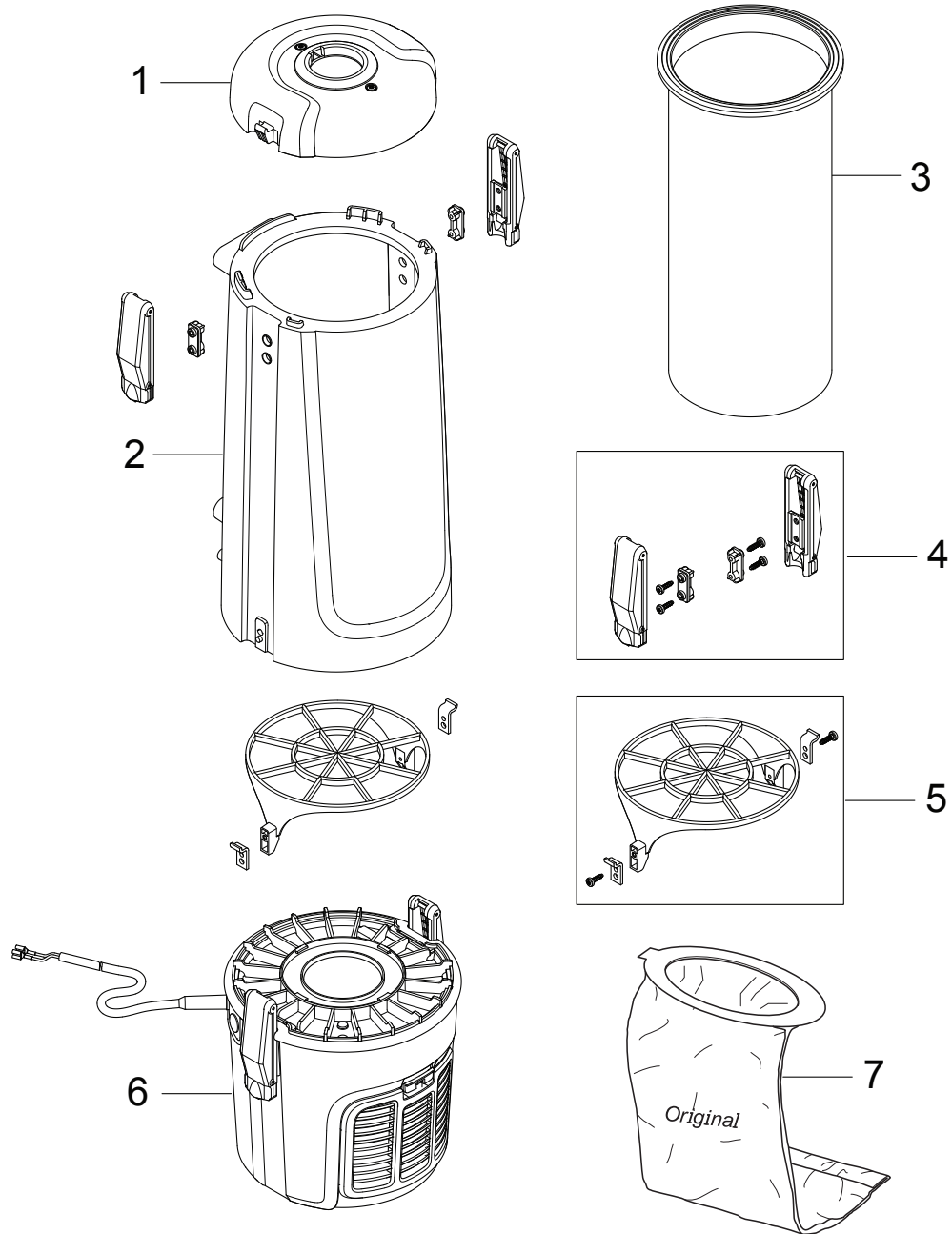
| | |
|--------------------------------|----|
| Overview | 1 |
| Container parts | 3 |
| Motor parts GD 5 Battery | 5 |
| Harness | 7 |
| Hoses and tubes | 9 |
| Nozzles | 11 |
| Recommended spare parts | 13 |



| Pos. | Artikel-Nr. | Menge | Variante | Notes |
|------|-------------|-------|---|-------|
| 0 | 107418155 | 1 | BOX KIT FOR GD5 BATTERY | |
| 1 | 107418143 | 1 | GHÄUSE BATTERIEHALTER | |
| 2 | 107418147 | 1 | Dämpfungspferle | |
| 3 | 107418145 | 1 | Sicherung Batteriesatz | |
| 4 | 9100002070 | 1 | BATTERIE LI 36V 10S4P OHNE GRIFF | |
| 4A | 9100002059 | 1 | HANDGRIFF ORANGE FÜR BATTERIE LI | |
| 4+4A | 41600872 | 1 | BATTERY LI 36V 10S4P + Handgriff orange | |
| 5 | 107418915 | 1 | ANTI-STRAIN CLIP KIT | |
| 6 | 107417770 | 1 | Schnell-Ladegerät LI-ION 500W 36V | |
| 6+7 | 41600864 | 1 | SCHNELLLADEGERÄT LI500W-EU | |
| 6+7 | 41600865 | 1 | Ladegerät LI 500W UK/CH | |
| 6+7 | 41600867 | 1 | BATTERY FAST CHARGER LI 500W - AUS-NZ | |
| 6+7 | 41600868 | 1 | BATTERY FAST CHARGER LI 500W - US | [1] |
| 6+7 | 41600873 | 1 | BATTERY CHARGER LI 500W - CN | |
| 7 | 107418158 | 1 | Netzkabel CH BC500 | |
| 7 | 107418406 | 1 | Netzkabel CH | |
| 7 | 107418079 | 1 | POWER CORD US BC500 | [2] |
| 7 | 107418407 | 1 | CORD CHARGER CN | |
| 7 | 107418077 | 1 | POWER CORD UK BC500 | |
| 7 | 107418076 | 1 | POWER CORD EU BC500 | |
| 7 | 107418078 | 1 | POWER CORD AUS/NZ BC500 | |
| 8 | 107418153 | 1 | ELEKTRONIKKARTE GD5 36VOLTS | |
| 9 | 107418146 | 1 | Kabel-Set 30mm 24AWG | |
| 10 | 107418144 | 1 | POWER CABLE KIT | |
| 11 | 107418154 | 1 | PCB CORD A SWICH KIT BATTERY | |
| NS | 107418155 | 1 | BOX KIT FOR GD5 BATTERY | |
| NS | 107418408 | 1 | OUT BOX KIT FOR GD5 B.10PCS | |
| | 107415231 | 1 | BOX LABEL FOR GD5B EU | |
| | 107415232 | 1 | BOX LABEL FOR GD5B UK/CH | |
| | 107415234 | 1 | BOX LABEL FOR GD5B AUS/NZ | |
| | 107415233 | 1 | BOX LABEL FOR GD5B US | |

Part Notes:

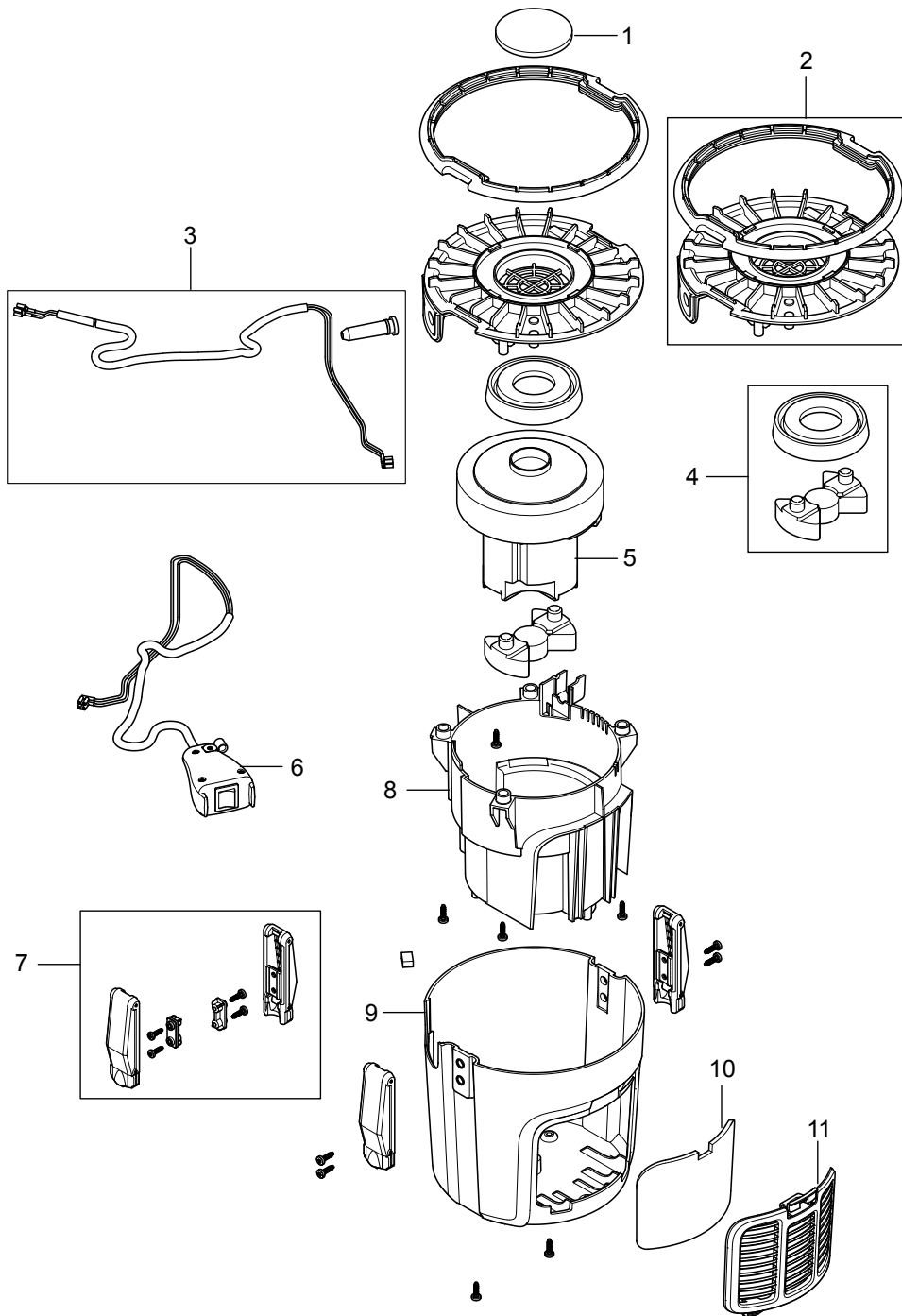
- [1] - 2020 ACCESSORY PRUNING
- [2] - GUARANTEE DATE EXPIRED



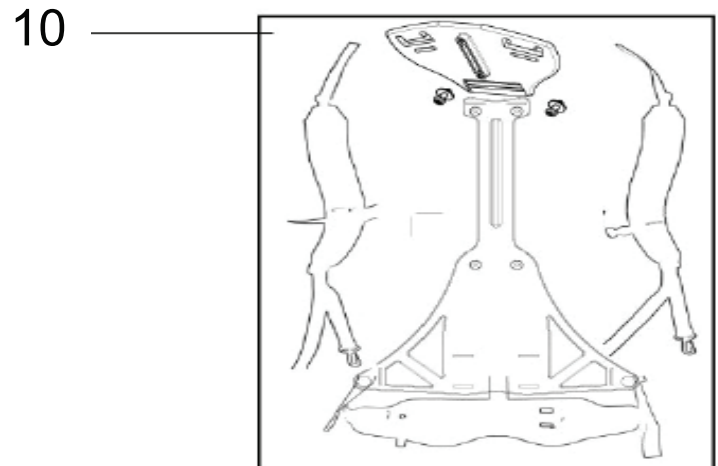
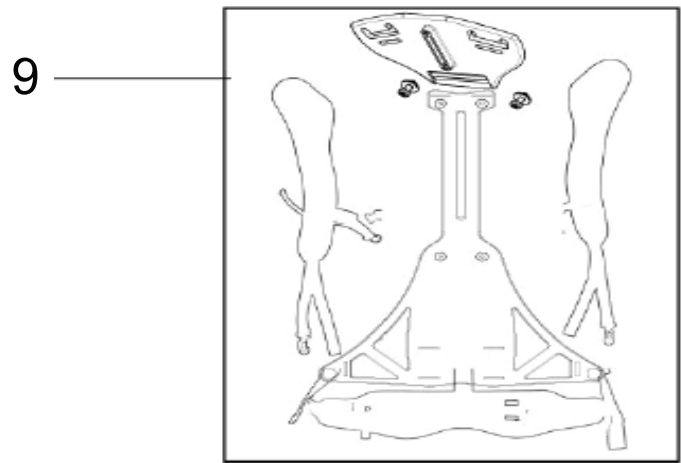
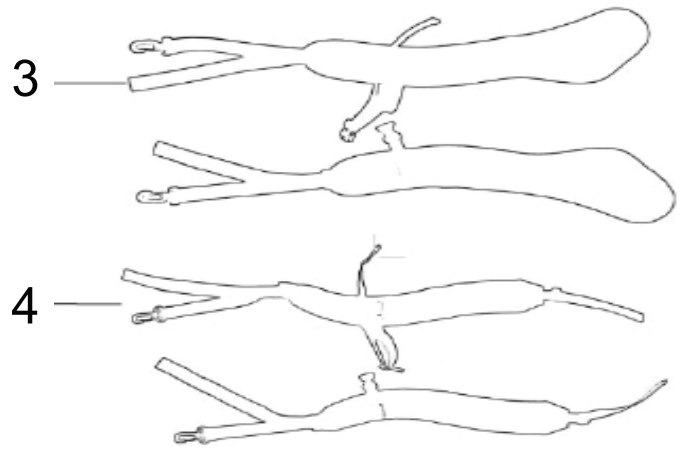
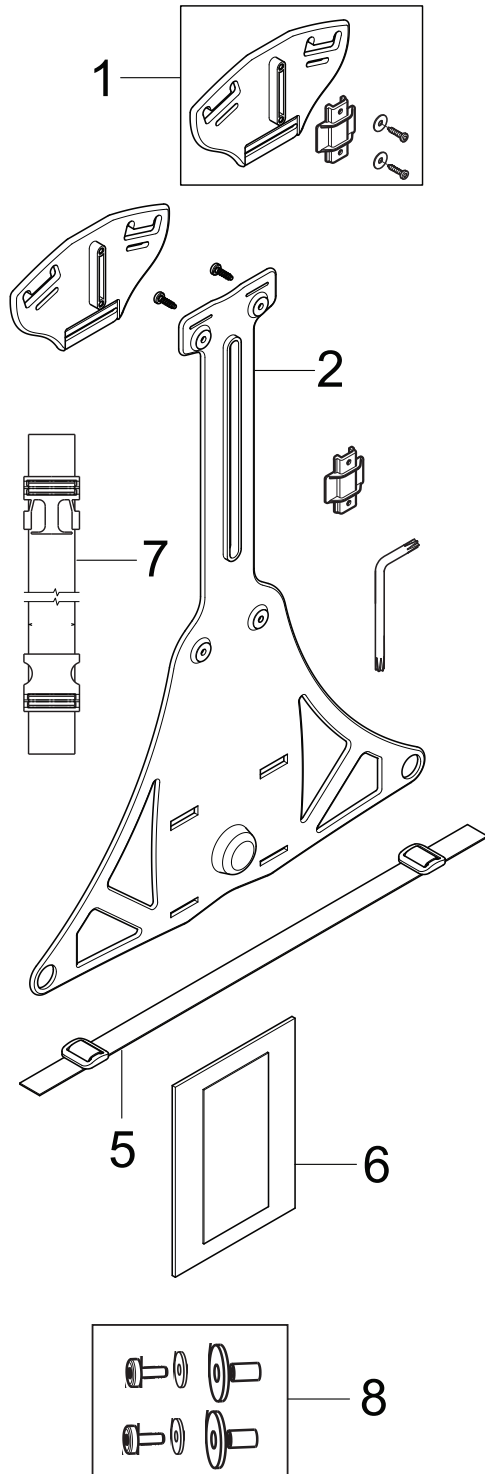
| Pos. | Artikel-Nr. | Menge | Variante | Notes |
|------|--------------|-------|----------------------------|-------|
| 1 | 147 1077 500 | 1 | Deckel für GD 5 | |
| 2 | 147 1076 500 | 1 | Hartschale oben | |
| 3 | 147 1100 500 | 1 | Sackfilter 5l | |
| 4 | 147 1101 500 | 1 | Schnalle GD 5 / 10 | |
| 5 | 147 1115 500 | 1 | BASKET SACK FILTER | |
| 6 | | 1 | See Motor parts | [1] |
| 7 | 147 1098 500 | 1 | Staubbeutel 5 Liter, VPE 5 | |

Part Notes:

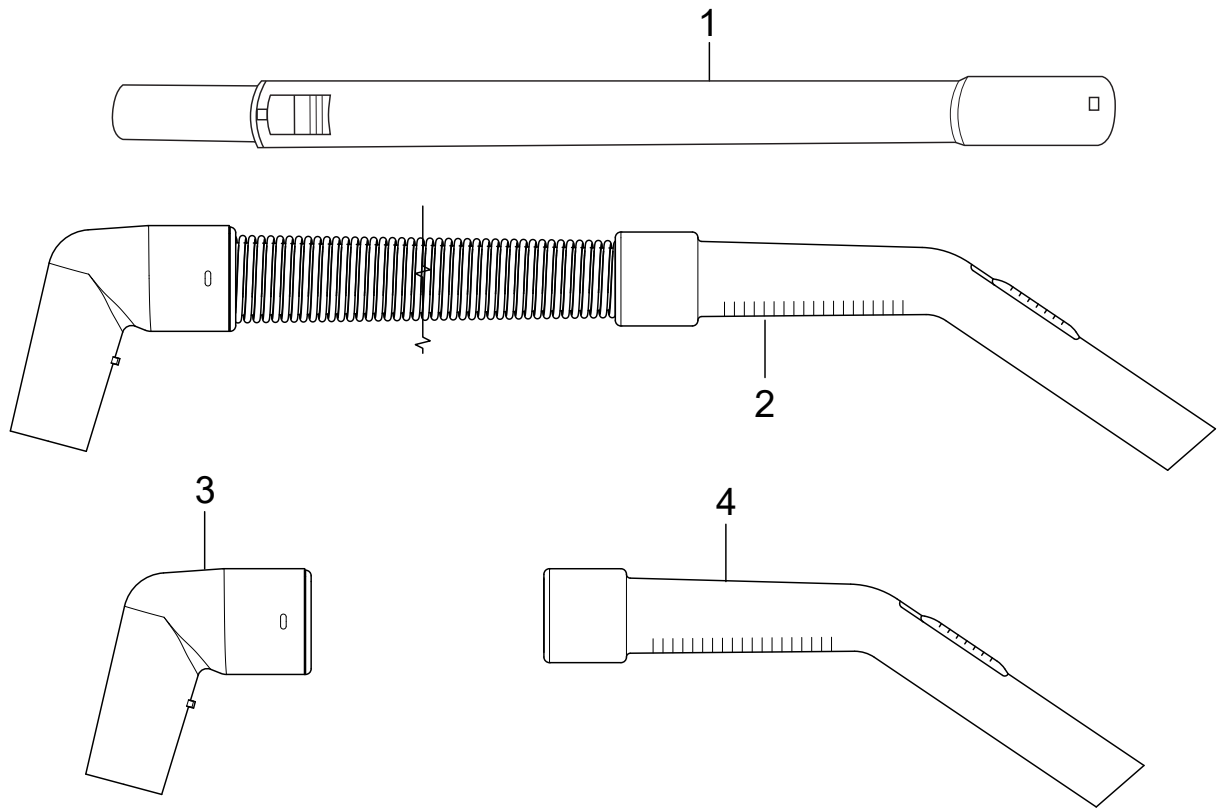
[1] - Motor parts GD 5 Battery



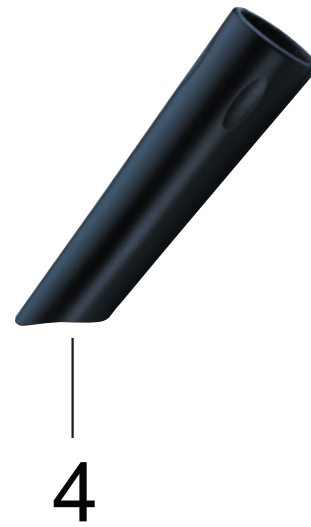
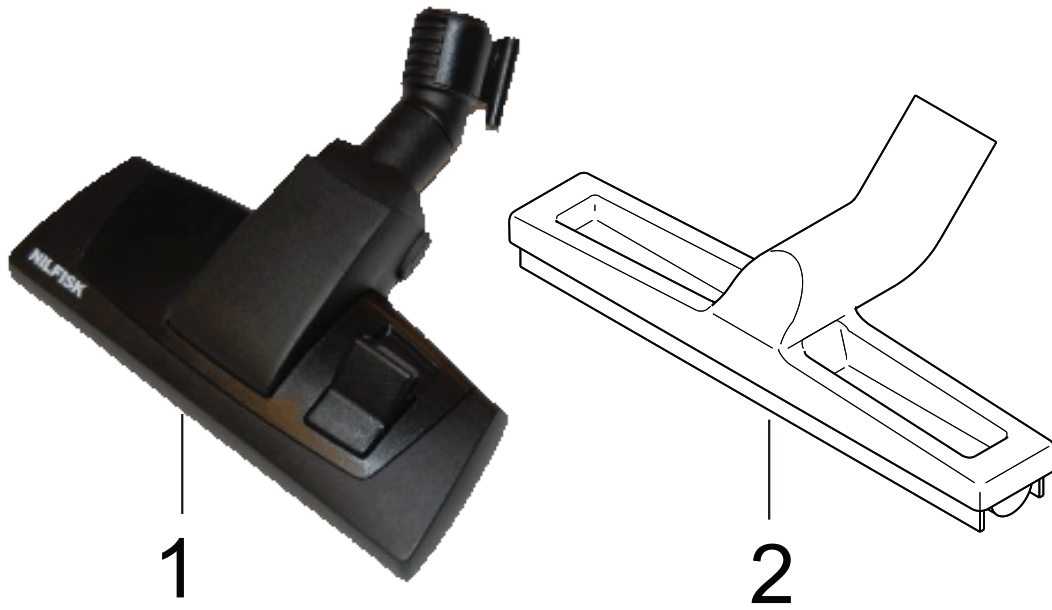
| Pos. | Artikel-Nr. | Menge | Variante | Notes |
|------|--------------|-------|--------------------------------|-------|
| 1 | 147 1095 500 | 1 | Vorfilterset (3Stk.) | |
| 2 | 147 1086 500 | 1 | Chassis dunkelgrau | |
| 3 | 107418156 | 1 | Kabelset mit Tülle | |
| 4 | 107418404 | 1 | Dämpferkit für Motor 36V | |
| 5 | 107418157 | 1 | Saugmotor GD5 Batterie 36V | |
| 6 | 107418403 | 1 | Schalter kpl. GD5 Batterie 36V | |
| 7 | 147 1101 500 | 1 | Schnalle GD 5 / 10 | |
| 8 | 147 1088 500 | 1 | Motorabdeckung | |
| 9 | 147 1075 500 | 1 | Hartschale unten | |
| 10 | 147 1089 500 | 1 | Ablufffilter (3Stk.) | |
| 11 | 147 1082 500 | 1 | Aussengitter GD 5 / 10 | |



| Pos. | Artikel-Nr. | Menge | Variante | Notes |
|------|--------------|-------|---------------------------|-------|
| 1 | 147 1092 500 | | Justierplatte | |
| 2 | 147 1091 500 | | Rückenplatte GD5/10 | |
| 3 | 147 1246 500 | | HARNESS PREMIUM | |
| 4 | 147 1090 500 | | Tragegurt Standard GD5/10 | |
| 5 | 147 1247 500 | | Aufhängegurt GD 5 | |
| 6 | 147 1248 500 | | Rückendämpfer GD 5 | |
| 7 | 147 1249 500 | | Gurt GD 5 | |
| 8 | 147 1246 600 | | Schraubenkit GD 5 | |
| 9 | 147 1246 510 | | TRAGGURTE PREMIUM kpl. | |
| 10 | 147 1090 510 | | Standardgurt kompl. GD 5 | |



| Pos. | Artikel-Nr. | Menge | Variante | Notes |
|-------------|--------------------|--------------|--|--------------|
| 1 | 011 8130 500 | 1 | Teleskoprohr Alu Ø 32 mm | |
| 2 | 147 1236 500 | 1 | Saugschlauch komplett Ø 32 mm | |
| 3 | 107418405 | 1 | HOSE COUPLING CPL PLASTIC | |
| 4 | 107402631 | 1 | Handrohr geb. Kunststoff schwarz D32mm | |



| Pos. | Artikel-Nr. | Menge | Variante | Notes |
|------|--------------|-------|--------------------------------|-------|
| 1 | 107417790 | 1 | Kombibodendüse RD295P mit Clip | |
| 2 | 140 6700 540 | 1 | Hartbodendüse Ø 32 mm | |
| 3 | 140 8244 500 | 1 | Pinseldüse Ø 32 mm | [1] |
| 4 | 107408039 | 1 | Fugendüse,schwarz | |
| 4 | 147 0146 000 | 1 | CREVICE NOZZLE BLACK | [1] |

Part Notes:

[1] - JP

| Pos. | Artikel-Nr. | Menge | Variante | Notes |
|------|--------------|-------|-----------------------------------|-------|
| | 107418143 | 1 | GHÄUSE BATTERIEHALTER | |
| | 107418145 | 1 | Sicherung Batteriesatz | |
| | 9100002070 | 1 | BATTERIE LI 36V 10S4P OHNE GRIFF | |
| | 9100002059 | 1 | HANDGRIFF ORANGE FÜR BATTERIE LI | |
| | 107417770 | 1 | Schnell-Ladegerät LI-ION 500W 36V | |
| | 107418406 | 1 | Netzkabel CH | |
| | 107418407 | 1 | CORD CHARGER CN | |
| | 107418077 | 1 | POWER CORD UK BC500 | |
| | 107418076 | 1 | POWER CORD EU BC500 | |
| | 107418078 | 1 | POWER CORD AUS/NZ BC500 | |
| | 107418153 | 1 | ELEKTRONIKKARTE GD5 36VOLTS | |
| | 107418144 | 1 | POWER CABLE KIT | |
| | 147 1100 500 | 1 | Sackfilter 5l | |
| | 147 1101 500 | 1 | Schnalle GD 5 / 10 | |
| | 147 1115 500 | 1 | BASKET SACK FILTER | |
| | 147 1095 500 | 1 | Vorfilterset (3Stk.) | |
| | 147 1086 500 | 1 | Chassis dunkelgrau | |
| | 107418156 | 1 | Kabelset mit Tülle | |
| | 107418404 | 1 | Dämpferkit für Motor 36V | |
| | 107418157 | 1 | Saugmotor GD5 Batterie 36V | |
| | 107418403 | 1 | Schalter kpl. GD5 Batterie 36V | |
| | 147 1101 500 | 1 | Schnalle GD 5 / 10 | |
| | 147 1089 500 | 1 | Abluftfilter (3Stk.) | |
| | 147 1082 500 | 1 | Aussengitter GD 5 / 10 | |
| | 147 1091 500 | 1 | Rückenplatte GD5/10 | |
| | 147 1246 500 | 1 | HARNESS PREMIUM | |
| | 147 1247 500 | 1 | Aufhängegurt GD 5 | |
| | 147 1246 600 | 1 | Schraubenkit GD 5 | |
| | 147 1246 510 | 1 | TRAGGURTE PREMIUM kpl. | |

