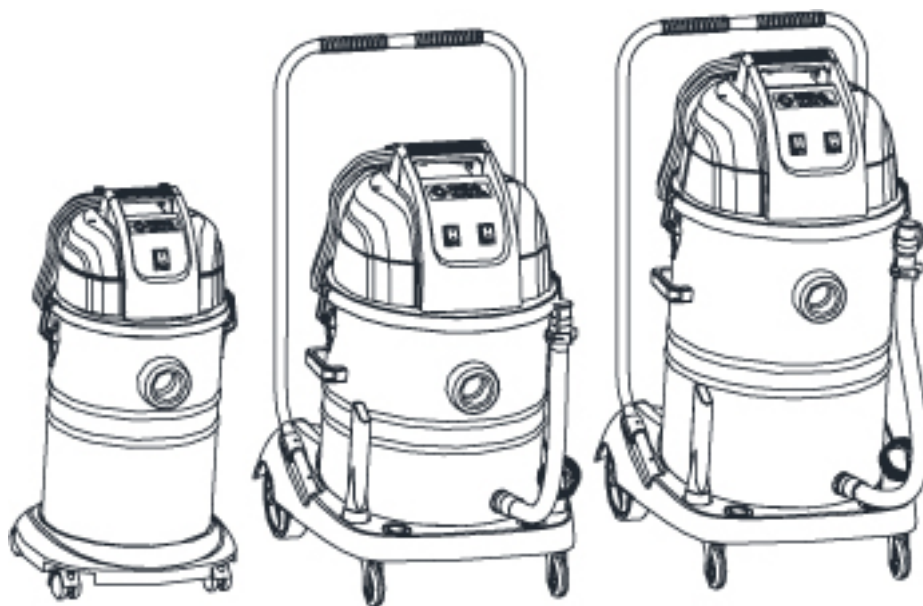


PARTS LIST

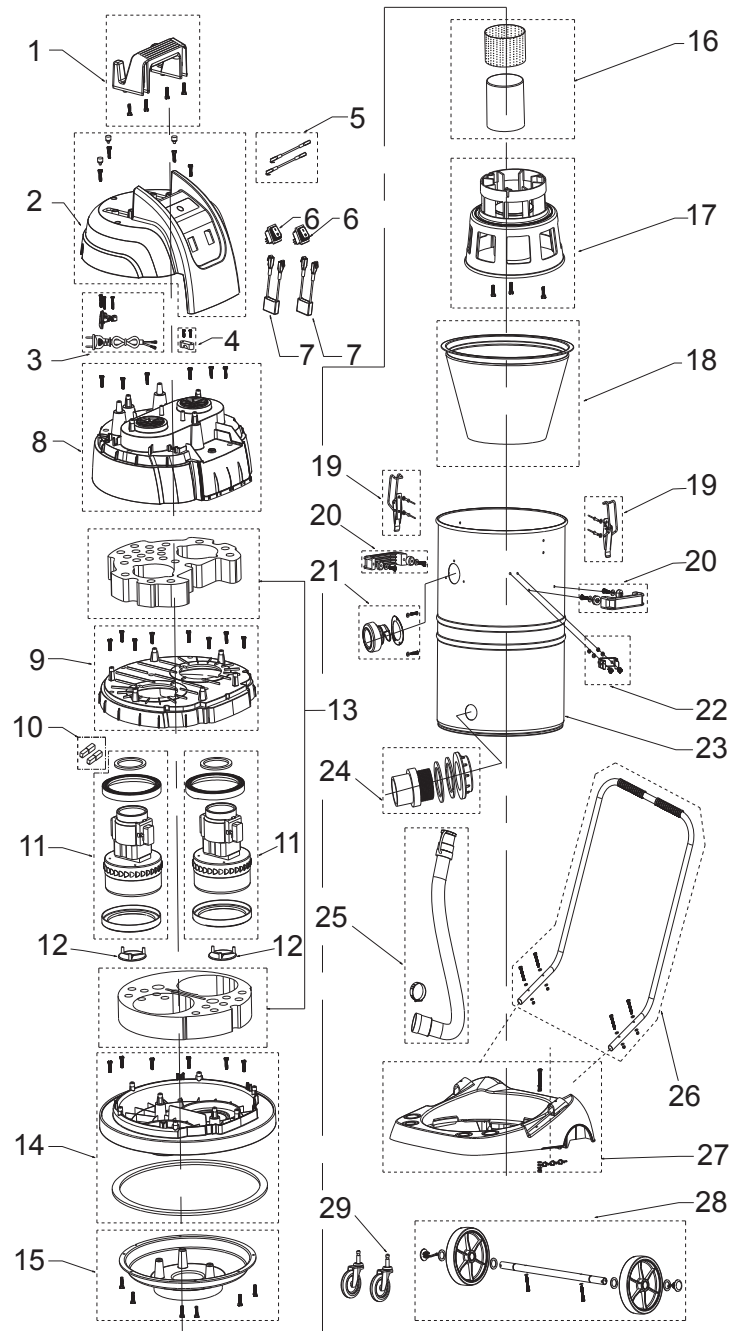


2025.08.31

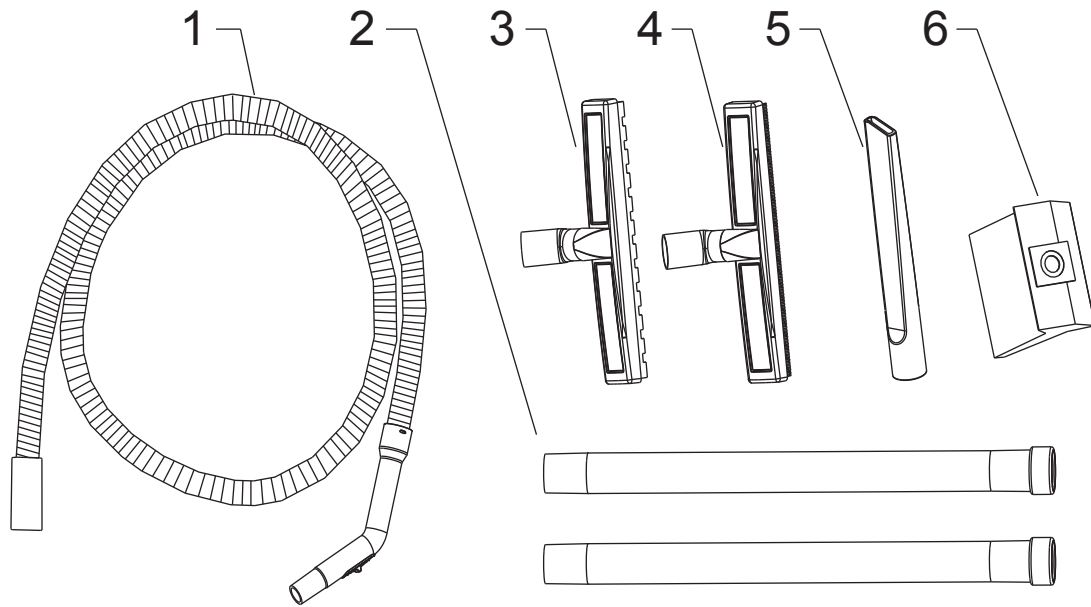
NILFISK

TABLE OF CONTENTS

Overview	1
Accessories	3
Wear and tear parts	5



Pos.	Artikel-Nr.	Menge	Variante	Notes
	VA81837	1	CARTON 75L	
1	VA81812	1	HANDLE KIT	
2	VA81813	1	Motorkopfabdeckung	
3	VA81814	1	VL100 75L EU POWER CORD KIT	
3	VA81815	1	VL100 75L UK POWER CORD KIT	
4	VA86604	1	CLAMP BLOCK KIT	
5	VA81816	1	ELECTRONIC WIRE KIT	
6	VA81940	2	WATERPROOF SWITCH	
7	VA80095	2	Kondensator Elektrisch	
8	VA81817	1	MOTOR COVER KIT	
9	VA81818	1	MOTOR PRESS PLATE KIT	
10	ZD89002	2	Kohlebürste	
11	VA81987	2	MOTOR+RUBBER WASHER KIT	
12	GV70008	2	Dichtungsplatte	
13	VA81819	1	MIDDLE SPONGE+DOWN SPONGE KIT	
14	VA81820	1	MOTOR SUPPORT BASE+RUBBER BAR KIT	
15	VA86610	1	FLOW DIVIDER DISH KIT	
16	VA81087	1	FLOAT CUP PP+FILTER NET METAL KIT	
17	VA80766	1	FLOAT CUP HOLDER	
18	VA80119	1	Stofffiltereinsatz 55l / 75l	
19	VA80734	2	TANK CATCH KIT	
20	VA86612	2	HANDLE LIFT KIT	
21	VA81821	1	SCHLAUCHEINLASS	
22	VA80750	1	Halterungskit für Ablassschlauch	
23	VA80054-001	1	VL100 55 LTR STAINLESS STEEL CONTAINER	
23	VA80021-001	1	VL100 75 LTR KESSEL INOX	
24	VA81822	1	SCREW TUBE KIT	
25	VA82028	1	Schlauch 55 L Kit	
25	VA81823	1	75L DRAIN HOSE KIT	
26	VA81824	1	PUSH HANDLE KIT	
27	VA86616	1	TANK BOTTOM BASE KIT	
28	VA86617	1	REAR WHEEL KIT	
29	VA96850	2	Lenkrolle 3 Inch	



Pos.	Artikel-Nr.	Menge	Variante	Notes
1	107407336	1	Saugschlauch kpl. Ø 40 mmx2,5 m	
2	107407337	2	Saugrohr Edelstahl Ø 40 mmx0,5 m	
3	107407339	1	Hartbodendüse Ø 40 mm, Bürste	
4	VA81845	1	WET FLOOR NOZZLE Ø40 RUBBER STRIP	
5	107408850	1	Fugendüse Ø 40 mm	
6	VA82063-P5	1	VLIESFILTERBEUTEL 5STK FÜR 55L/75L	

Pos.	Artikel-Nr.	Menge	Variante	Notes
	VA81940	2	WATERPROOF SWITCH	
	VA80734	2	TANK CATCH KIT	
	VA86612	2	HANDLE LIFT KIT	
	VA80119	1	Stofffiltereinsatz 55l / 75l	
	VA96850	2	Lenkrolle 3 Inch	
	VA82028	1	Schlauch 55 L Kit	
	VA81823	1	75L DRAIN HOSE KIT	
	VA80750	1	Halterungskit für Ablassschlauch	
	VA82063-P5	1	VLIESFILTERBEUTEL 5STK FÜR 55L/75L	
	ZD89002	2	Kohlebürste	

