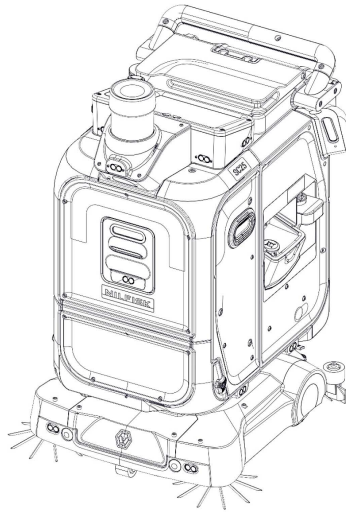


PARTS LIST

VP25 WITH 3D LIDAR



Model:
58001001

NILFISK

2025.08.29

NILFISK

TABLE OF CONTENTS

| | |
|--|----|
| Accessories & Consumables | 1 |
| FINAL ASSEMBLY WITH 3D LIDAR | 3 |
| FINAL ASSEMBLY WITH 3D LIDAR 2 | 5 |
| _FINAL ASESEMBLY WITH 3D LIDAR 3 | 7 |
| FINAL ASSEMBLY WITH 3D LIDAR 4 | 9 |
| FINAL ASSEMBLY WITH 3D LIDAR 5 | 11 |
| FINAL ASSEMBLY WITH 3D LIDAR 6 | 13 |
| NAKED ROBOT WITH 3D LIDAR | 15 |
| NAKED ROBOT WITH 3D LIDAR 2 | 17 |
| NAKED ROBOT WITH 3D LIDAR 3 | 19 |
| NAKED ROBOT WITH 3D LIDAR 4 | 21 |
| NAKED ROBOT WITH 3D LIDAR 5 | 23 |
| NAKED ROBOT WITH 3D LIDAR 6 | 25 |
| NAKED ROBOT WITH 3D LIDAR 7 | 27 |
| NAKED ROBOT WITH 3D LIDAR 8 | 29 |
| NAKED ROBOT WITH 3D LIDAR 9 | 31 |
| NAKED ROBOT WITH 3D LIDAR 10 | 33 |
| NAKED ROBOT WITH 3D LIDAR 11 | 35 |
| NAKED ROBOT WITH 3D LIDAR 12 | 37 |
| NAKED ROBOT WITH 3D LIDAR 13 | 39 |
| CHASSIS ASM | 41 |
| CHASSIS ASM 2 | 43 |
| CHASSIS ASM 3 | 45 |
| CHASSIS ASM 4 | 47 |
| CHASSIS ASM 5 | 49 |
| CHASSIS ASM 6 | 51 |
| CHASSIS ASM 7 | 53 |
| CHASSIS ASM 8 | 55 |
| CHASSIS ASM 9 | 57 |
| BASE WHEEL ASM | 59 |
| BASE WHEEL ASM 2 | 61 |
| BARE CHASSIS ASM | 63 |
| TRACTION LEFT ASM | 65 |
| TRACTION RIGHT ASM | 67 |
| BATTERY BOX ASM | 69 |
| BATTERY BOX ASM 2 | 71 |
| FLUID SYSTEM ASM | 73 |
| FLUID SYSTEM ASM 2 | 75 |
| FLUID SYSTEM ASM 3 | 77 |
| ASSEMBLED THREE WAY VALVE SA | 79 |
| ASSEMBLED FILTER SA | 81 |
| ECU BOTTOM ASM | 83 |
| BRUSH DECK LIFT ASM | 85 |
| BRUSH DECK LIFT ASM 2 | 87 |

TABLE OF CONTENTS

| | |
|--|-----|
| BRUSH DECK LIFT ASM 3 | 89 |
| BRUSH DECK LIFT ASM 4 | 91 |
| BRUSH DECK MOUNT WITH BUSHING SA | 93 |
| BRUSH DECK LIFT BAR WITH BUSHING SA | 95 |
| BRUSH DECK LIFT TRIANGLE WITH BUSHING SA | 97 |
| SQUEEGEE LIFT ASM | 99 |
| SQUEEGEE LIFT ASM 2 | 101 |
| SQUEEGEE LIFT ASM 3 | 103 |
| SQUEEGEE LIFT ASM 4 | 105 |
| SQUEEGEE LIFT ASM 5 | 107 |
| SQUEEGEE LIFT MOTOR MOUNT WITH BUSHING SA | 109 |
| SQUEEGEE LIFT LINKAGE MOUNT WITH BUSHING SA | 111 |
| SQUEEGEE LIFT END LINK WITH BUSHING SA | 113 |
| CLEVIS PIN, SHAFT OD 8mm, L 30mm WITH RETAINING RING | 115 |
| SIDE BRUSH L ASM | 117 |
| SIDE BRUSH L ASM 2 | 119 |
| SIDE BRUSH R ASM | 121 |
| SIDE BRUSH R ASM 2 | 123 |
| BRUSH DECK ASM | 125 |
| BRUSH DECK ASM 2 | 127 |
| BRUSH DECK ASM 3 | 129 |
| BRUSH DECK ASM 4 | 131 |
| BRUSH DECK ASM 5 | 133 |
| BRUSH DECK ASM 6 | 135 |
| BRUSH IDLER SA | 137 |
| ASSEMBLED NOZZLE SA | 139 |
| EBOX ASM | 141 |
| EBOX ASM 2 | 143 |
| EBOX ASM 3 | 145 |
| EBOX ASM 4 | 147 |
| EBOX ASM 5 | 149 |
| EBOX ASM 6 | 151 |
| EBOX ASM 7 | 153 |
| EBOX ASM 8 | 155 |
| EBOX ASM 9 | 157 |
| EBOX ASM 10 | 159 |
| ASSEMBLED POWER DISTRIBUTION BOARD | 161 |
| CLEAN WATER TANK ASM | 163 |
| CLEAN WATER TANK ASM 2 | 165 |
| CLEAN WATER TANK ASM 3 | 167 |
| GASKETTED CLEAN WATER TANK ASM | 169 |
| CLEAN WATER TANK SONAR SA | 171 |
| GASKETED REAR TOP UP TRAY ASM | 173 |
| GASKETED SIDE UP TRAY ASM | 175 |

TABLE OF CONTENTS

| | |
|--|-----|
| RECOVERY TANK ASM | 177 |
| RECOVERY TANK ASM 2 | 179 |
| RECOVERY TANK ASM 3 | 181 |
| RECOVERY TANK ASM 4 | 183 |
| RECOVERY TANK ASM 5 | 185 |
| RECOVERY TANK ASM 6 | 187 |
| RECOVERY TANK ASM 7 | 189 |
| REAR SENSOR ASM | 191 |
| GASKETTED REAR SENSOR COVER | 193 |
| REAR CHARGING CONTACTS ASM | 195 |
| VACUUM MOTOR ASM | 197 |
| VACUUM MOTOR ASM 2 | 199 |
| GASKETTED VACUUM MOTOR FILTER SLOT | 201 |
| GASKETTED VACUUM MOTOR OUTER COVER | 203 |
| ECU TOP ASM | 205 |
| HANDLE BAR ASM | 207 |
| HANDLE BAR ASM 2 | 209 |
| BALL VALVE ASM | 211 |
| BALL VALVE ASM 2 | 213 |
| GASKETTED RECOVERY WATER TANK ASM | 215 |
| HATCH ASM | 217 |
| GASKETED HATCH HINGE MOUNTH ASM | 219 |
| GASKETTED SQUEEGEE HOSE INLET | 221 |
| FRONT SENSOR ASM | 223 |
| FRONT SENSOR ASM 2 | 225 |
| Gasketted Front Sensor Cover | 227 |
| CROWN (3D LIDAR) ASM | 229 |
| CROWN (3D LIDAR) ASM 2 | 231 |
| CROWN (3D LIDAR) ASM 3 | 233 |
| CROWN (3D LIDAR) ASM 4 | 235 |
| GASKETTED 3D CROWN | 237 |
| GASKETTED CROWN HOUSING | 239 |
| HMI ASM | 241 |
| HMI ASM 2 | 243 |
| HMI ASM 3 | 245 |
| GASKETTED TOUCHSCREEN COVER | 247 |
| GASKETTED TOUCHSCREN HOUSING | 249 |
| Left Wire Channel Cover ASM | 251 |
| RIGHT WIRE CHANNEL COVER ASM | 253 |
| Side Camera L ASM | 255 |
| SIDE CAMERA L ASM 2 | 257 |
| SIDE CAMERA R ASM | 259 |
| SIDE CAMERA R ASM 2 | 261 |
| GASKETTED DEPTH CAMERA | 263 |

TABLE OF CONTENTS

| | |
|--|-----|
| TANK LEFT COVER ASM | 265 |
| TANK RIGHT COVER ASM | 267 |
| Lower Sonar Cover ASM | 269 |
| Rear Cover ASM | 271 |
| Rear Cover ASM 2 | 273 |
| LOWER BODY ECU COVER WITH STICKER | 275 |
| Ebox Facade ASM | 277 |
| FACADE TOP PANEL WITH STICKER | 279 |
| Gasketed Main Facade ASM | 281 |
| Gasketed Facade Left Panel ASM | 283 |
| Gasketed Facade Right Panel ASM | 285 |
| Battery Facade ASM | 287 |
| Battery Facade ASM 2 | 289 |
| Gasketed Battery Access Facade ASM | 291 |
| Gasketed Rear Lidar Cover | 293 |
| Front LED ASM | 295 |
| Left Vent ASM | 297 |
| Right Vent ASM | 299 |
| Chemical Tank ASM | 301 |
| Debris Hopper ASM | 303 |
| Squeegee ASM | 305 |
| WIRE HARNESS LIST | 307 |
| FINAL ASSEMBLY | 311 |
| FINAL ASSEMBLY 2 | 313 |
| FINAL ASSEMBLY 3 | 315 |
| FINAL ASSEMBLY 4 | 317 |
| FINAL ASSEMBLY 5 | 319 |
| FINAL ASSEMBLY 6 | 321 |
| FINAL ASSEMBLY 7 | 323 |
| FINAL ASSEMBLY 8 | 325 |
| FINAL ASSEMBLY 9 | 327 |
| FINAL ASSEMBLY 10 | 329 |
| FINAL ASSEMBLY ASM 11 | 331 |
| FRONT SKIN ASM | 333 |
| FRONT SKIN ASM 2 | 335 |
| GASKETTED FRONT COVER | 337 |
| CHARGING MECHANISM ASM | 339 |
| CHARGING MECHANISM ASM 2 | 341 |
| CHARGING MECHANISM ASM 3 | 343 |
| CHARGING MECHANISM ASM 4 | 345 |
| CHARGING MECHANISM ASM 5 | 347 |
| CHARGING MECHANISM ASM 6 | 349 |
| GASKETTED CHARGING MECHANISM FRONT PLATE ASM | 351 |
| TOP COVER ASM | 353 |

TABLE OF CONTENTS

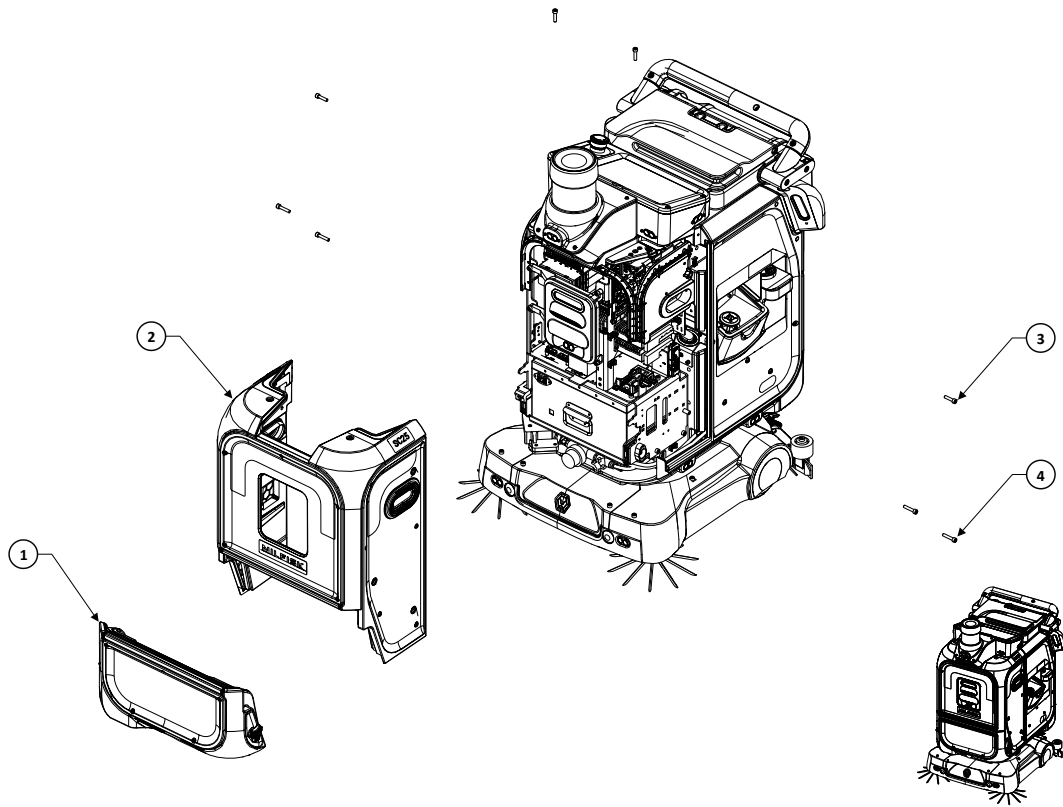
| | |
|--|-----|
| TOP COVER ASM 2 | 355 |
| GASKETTED TOP CLEAR COVER ASM | 357 |
| BASE PLATE ASM | 359 |
| SIDE ACCESS PANEL ASM | 361 |
| GASKETTED BACK TOP COVER WITH STICKERS ASM | 363 |
| ELECTRONICS ASM | 365 |
| ELECTRONICS ASM 2 | 367 |
| ASSEMBLED DOCKING PCB ASM | 369 |
| WATERLINE ASM | 371 |
| WATERLINE ASM 2 | 373 |
| WATERLINE ASM 3 | 375 |
| GASKETTED SINK | 377 |
| DOCKING CHASSIS ASM | 379 |
| DOCKING CHASSIS ASM 2 | 381 |
| DOCKING CHASSIS ASM 3 | 383 |
| DOCKING CHASSIS ASM 4 | 385 |
| GASKETTED DOCKING STATION BODY | 387 |
| GASKETTED DOCKING STATION BODY 2 | 389 |

Accessories & Consumables

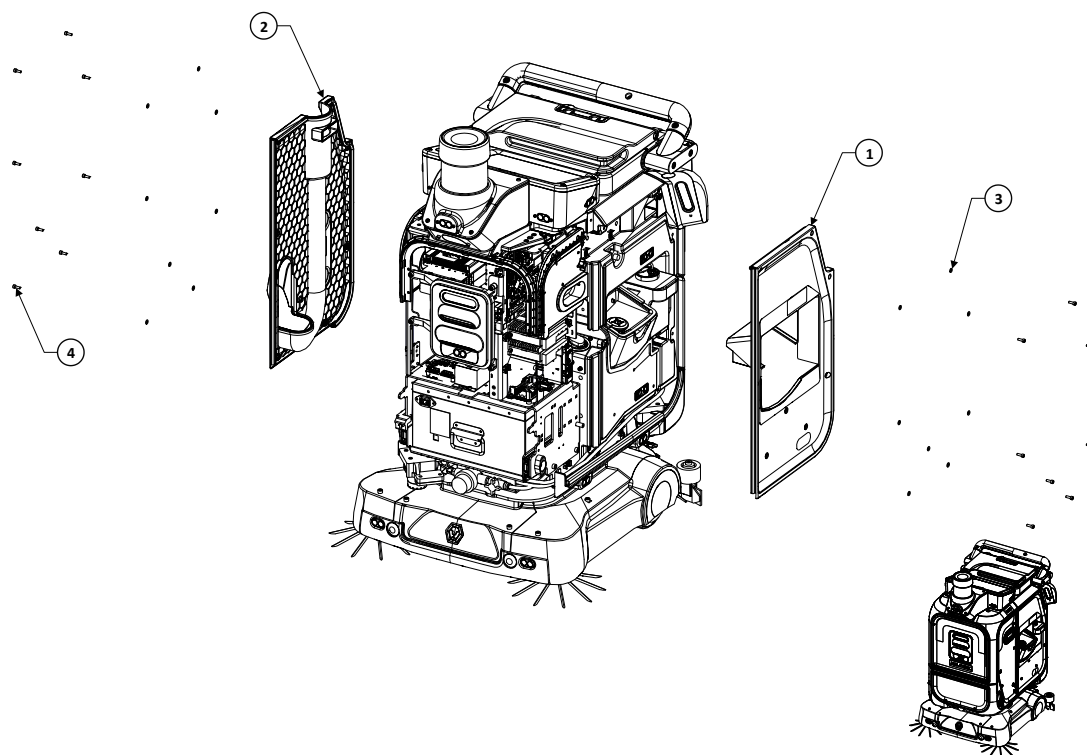
| Pos. | Artikel-Nr. | Menge | Variante | Notes |
|------|-------------|-------|--|-------|
| ACC | 58001220 | | DRAIN HOSEMANUAL DRAIN HOSE (1PC) | [1] |
| ACC | 58001221 | | MICROFIBER ROLLER 380MMMICROFIBER ROLLER, L:380MM | [2] |
| ACC | 58001248 | | POWER CORD US 90 DEGREESPOWER CORD 90 DEGREE US | |
| ACC | 58001249 | | POWER CORD EU 90 DEGREESPOWER CORD 90 DEGREE EU | |
| ACC | 58001247 | | BRUSH MANUAL CLEANINGMANUAL CLEANING BRUSH | |
| ACC | 58001252 | | CHARGER SC25CHARGER ASM | |
| ACC | 58001469 | | BLACK ROBOT COVER | |
| ACC | 58001470 | | KEY | |
| Cons | 58001203 | | BRUSH CYL BRIS 381.5MM MID 0.2 BLACKSTANDARD BRUSH, BLACK BRISTLE (1PC) | |
| Cons | 58001204 | | BRUSH CYL BRIS 381.5MM SOFT 0.15 BLUEBLUE BRISTLE BRUSH - SOFT, 381.5 MM, CYLINDRICAL BRUSH, 0.15MM | |
| Cons | 58001214 | | BRUSH CYL BRIS 381.5MM HARD GRIT500 GREYGREY BRISTLE BRUSH - HARD, 381.5 MM, CYLINDRICAL BRUSH, 500# GRIT | |
| Cons | 58001215 | | SC25 HEPA FILTERHEPA FILTER (1PC) | |
| Cons | 58001222 | | BLADE SQUEEGEE FRONT GUMFRONT SQUEEGEE RUBBER (NATURAL RUBBER) | |
| Cons | 58001223 | | BLADE SQUEEGEE FRONT PUFRONT SQUEEGEE RUBBER (POLYURETHANE) | |
| Cons | 58001224 | | BLADE SQUEEGEE REAR GUMREAR SQUEEGEE RUBBER (NATURAL RUBBER) | |
| Cons | 58001225 | | BLADE SQUEEGEE REAR PUREAR SQUEEGEE RUBBER (POLYURETHANE) | |
| Cons | 58001232 | | RUBBER FLAP | |
| Cons | 58001241 | | SQUEEGEE HOSE | |
| Cons | 58001250 | | MAGIC TAG WALLMAGIC TAG, WALL | |
| Cons | 58001303 | | SIDE TOP UP TRAY FILTER KIT | |
| Cons | 58001333 | | CLEAN WATER FILTER CAGE MESH | |
| Cons | 58001334 | | RECOVERY TANK DRAIN HOSE | |
| Cons | 58001335 | | FILTER HOLDER | |
| Cons | 58001338 | | O RING D22 X T1.5 | |
| Cons | 58001339 | | O RING D26 X T3 | |

Part Notes:

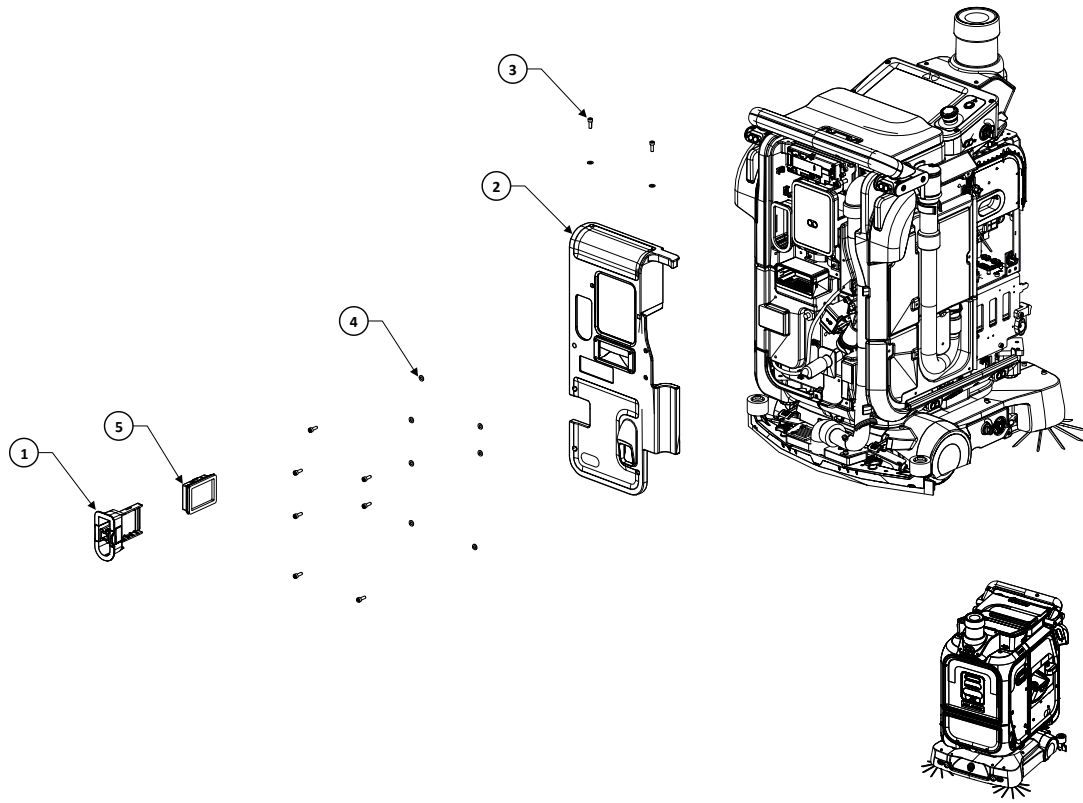
- [1] - Replaced by 58001334
[2] - OPENED BY MISTAKE



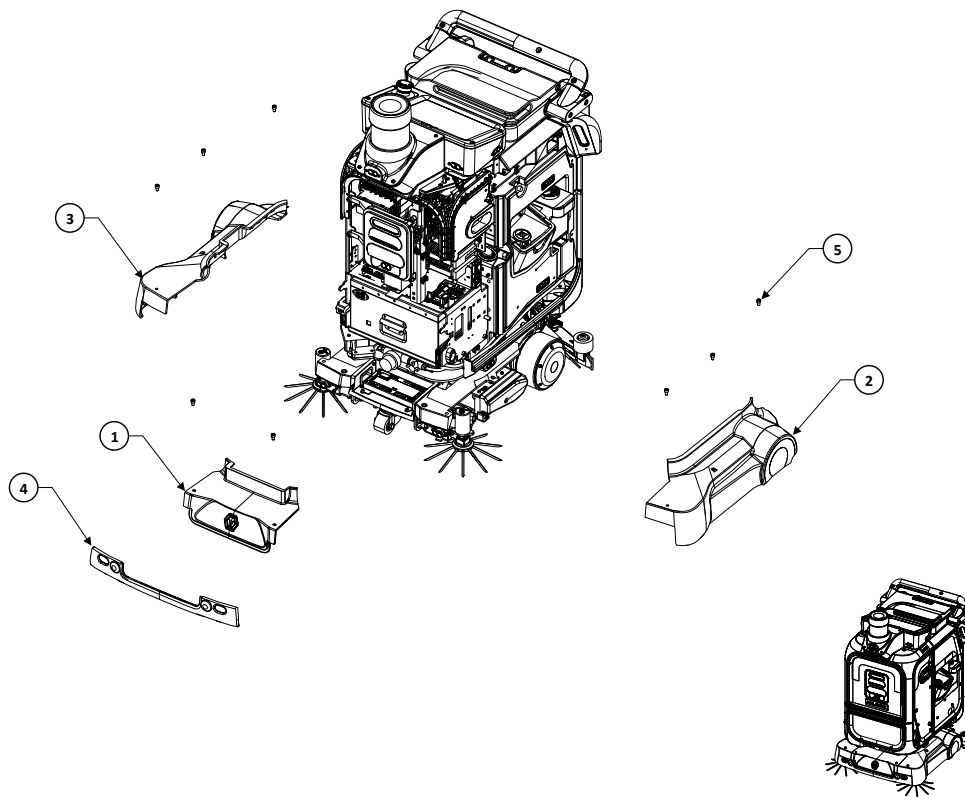
| Pos. | Artikel-Nr. | Menge | Variante | Notes |
|-------------|--------------------|--------------|-----------------------|--------------|
| 1 | 58001254 | 1 | BATTERY FACADE KIT | |
| 2 | 58001255 | 1 | EBOX FACADE KIT | |
| 3 | 58001332 | 4 | M6 X 1.0 X 25 HX-SHCS | |
| 4 | 58001336 | 4 | M6 X 1.0 X 30 HX-SHCS | |



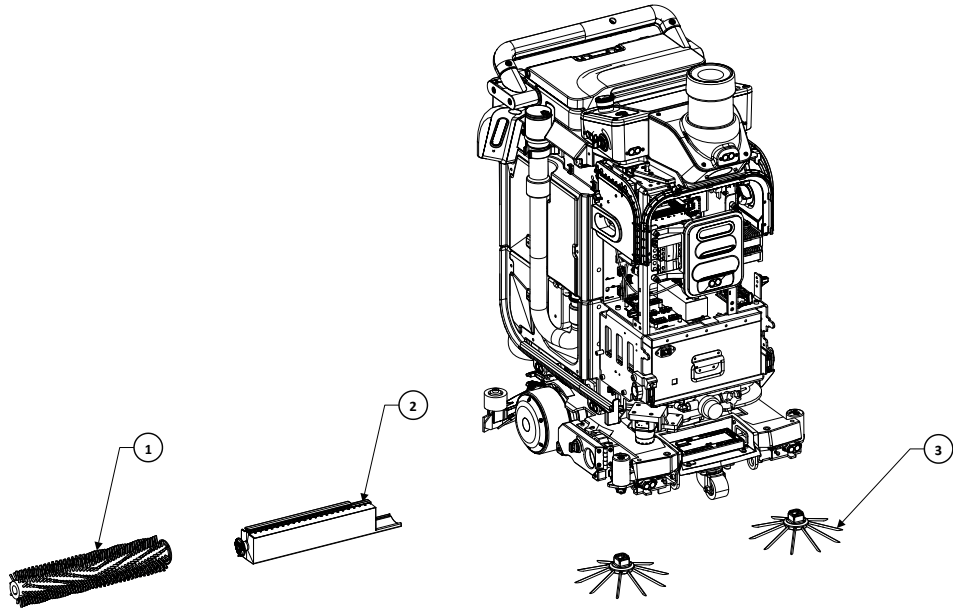
| Pos. | Artikel-Nr. | Menge | Variante | Notes |
|-------------|--------------------|--------------|--|--------------|
| 1 | 58001256 | 1 | TANK LEFT COVER KIT | |
| 2 | 58001257 | 1 | TANK RIGHT COVER KIT | |
| 3 | 58001192 | 16 | M4 FLAT WASHER | |
| 4 | 58001197 | 16 | M4 X 0.7 X 12 HX-SHCSM4 X 0.7 X 12 HX-SHCS | |



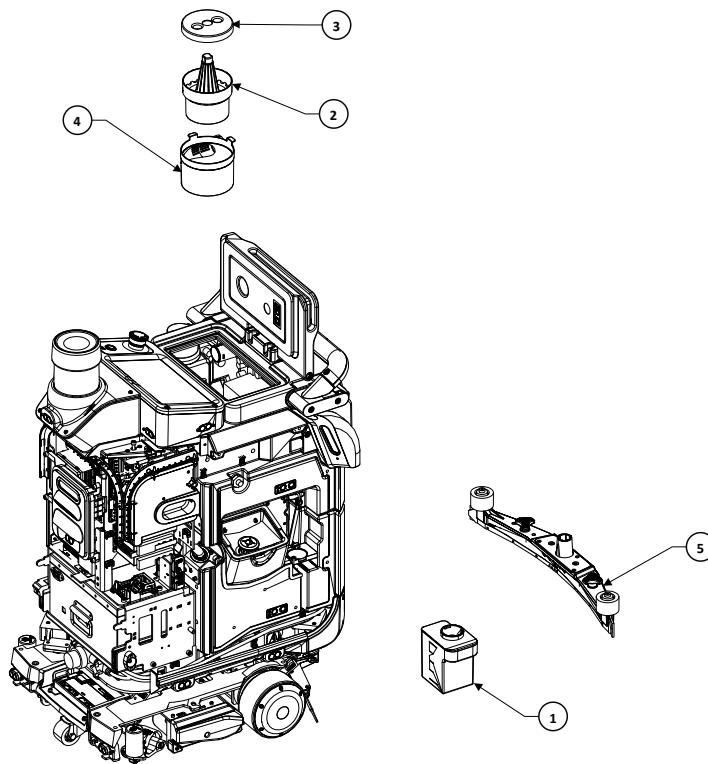
| Pos. | Artikel-Nr. | Menge | Variante | Notes |
|-------------|--------------------|--------------|-----------------------|--------------|
| 1 | 58001335 | 1 | FILTER HOLDER | |
| 2 | 58001258 | 1 | REAR COVER KIT | |
| 3 | 58001197 | 9 | M4 X 0.7 X 12 HX-SHCS | |
| 4 | 58001192 | 9 | M4 FLAT WASHER | |
| 5 | 58001215 | 1 | SC25 HEPA FILTER | |



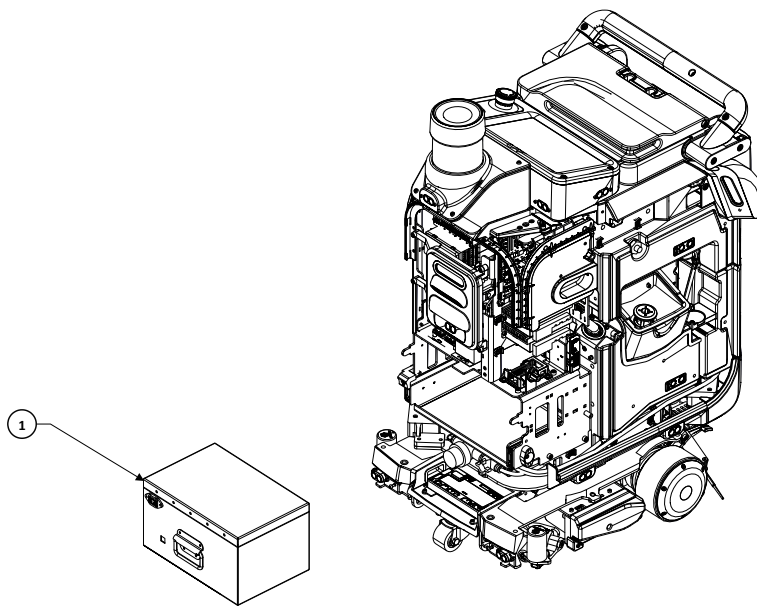
| Pos. | Artikel-Nr. | Menge | Variante | Notes |
|-------------|--------------------|--------------|------------------------------------|--------------|
| 1 | 58001259 | 1 | LOWER BODY ECU COVER W STICKER KIT | |
| 2 | 58001340 | 1 | LOWER BODY LEFT MAIN COVER | |
| 3 | 58001341 | 1 | LOWER BODY RIGHT MAIN COVER | |
| 4 | 58001260 | 1 | LOWER SONAR COVER KIT | |
| 5 | 58001289 | 8 | M6 X 1.0 X 10 HX-SHCS | |



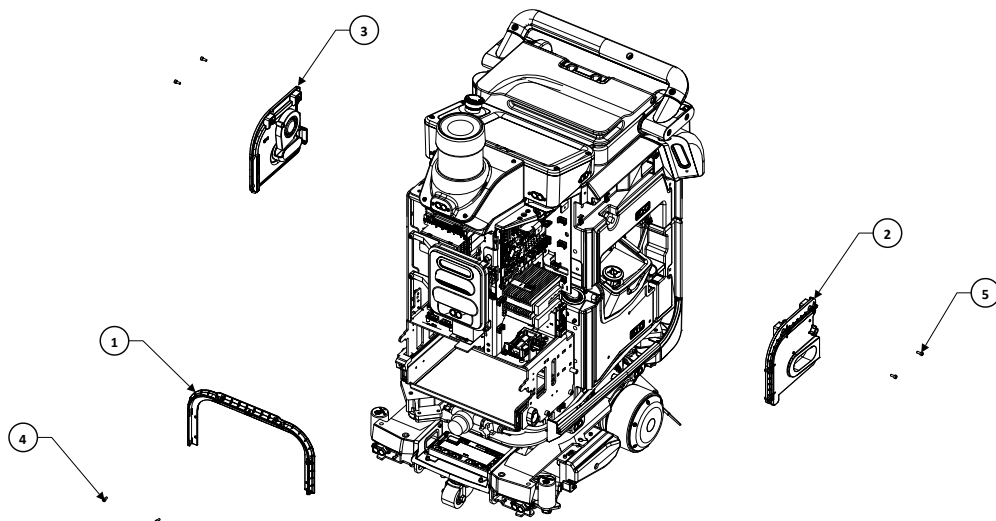
| Pos. | Artikel-Nr. | Menge | Variante | Notes |
|-------------|--------------------|--------------|--------------------------------------|--------------|
| 1 | 58001203 | 1 | BRUSH CYL BRIS 381.5MM MID 0.2 BLACK | |
| 2 | 58001253 | 1 | DEBRIS HOPPER | |
| 3 | 58001237 | 2 | SIDE BRUSH 210MM | |



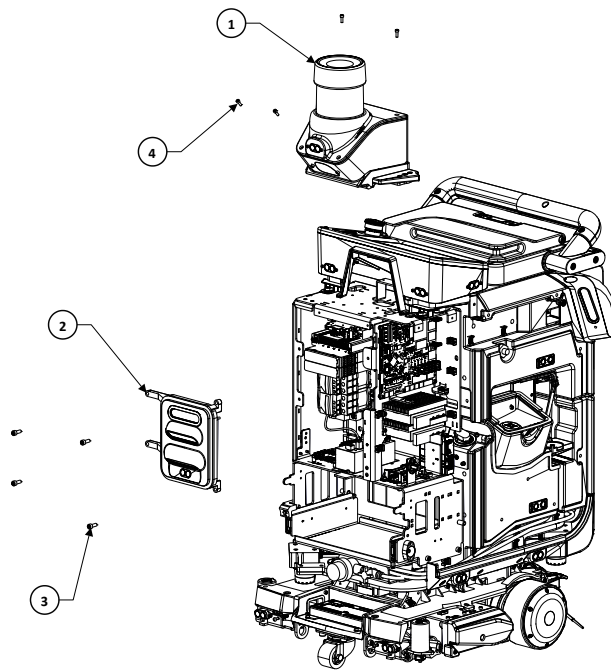
| Pos. | Artikel-Nr. | Menge | Variante | Notes |
|-------------|--------------------|--------------|-------------------------|--------------|
| 1 | 58001261 | 1 | CHEMICAL TANK KIT | |
| 2 | 58001342 | 1 | DEBRIS CAGE INNER COVER | |
| 3 | 58001343 | 1 | DEBRIS CAGE LID | |
| 4 | 58001344 | 1 | DEBRIS CAGE OUTER COVER | |
| 5 | 58001240 | 1 | SQUEEGEE ASSEMBLY | |



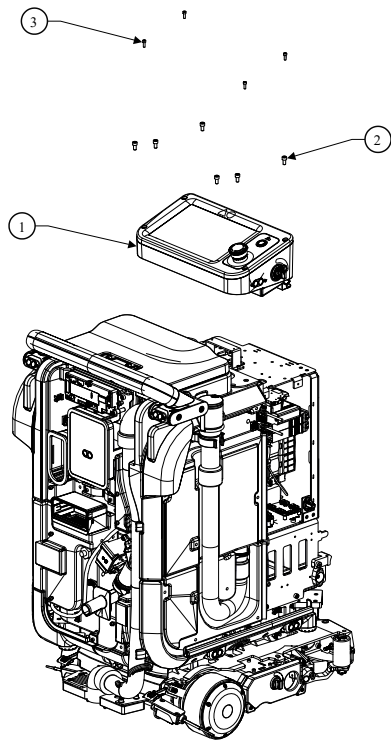
| Pos. | Artikel-Nr. | Menge | Variante | Notes |
|-------------|--------------------|--------------|-----------------|--------------|
| 1 | 58001251 | 1 | BATTERY SC25 | |



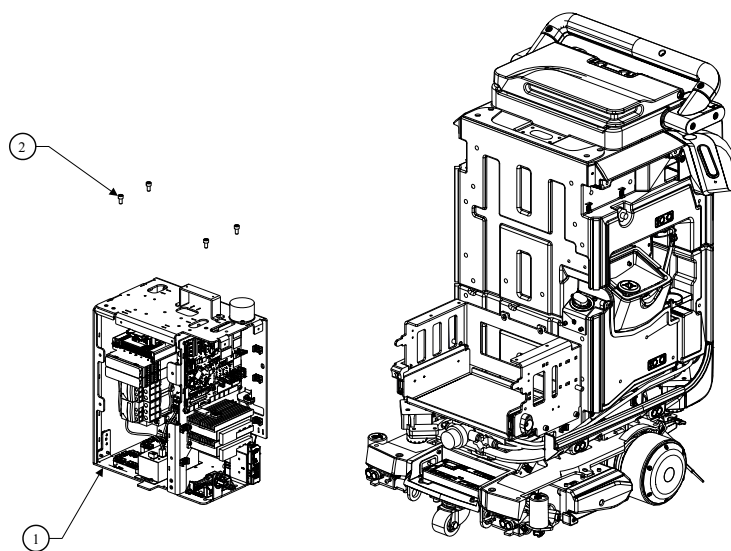
| Pos. | Artikel-Nr. | Menge | Variante | Notes |
|------|-------------|-------|-----------------------|-------|
| 1 | 58001262 | 1 | FRONT LED KIT | |
| 2 | 58001263 | 1 | LEFT VENT KIT | |
| 3 | 58001264 | 1 | RIGHT VENT KIT | |
| 4 | 58001275 | 2 | M4 X 0.7 X 8 HX-SHCS | |
| 5 | 58001195 | 4 | M4 X 0.7 X 10 HX-SHCS | |



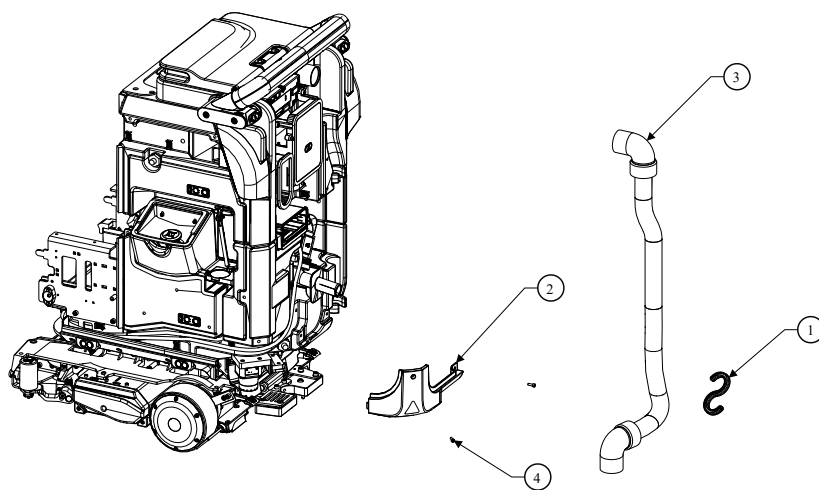
| Pos. | Artikel-Nr. | Menge | Variante | Notes |
|------|-------------|-------|-----------------------|-------|
| 1 | 58001265 | 1 | CROWN 3D LIDAR KIT | |
| 2 | 58001266 | 1 | FRONT SENSOR KIT | |
| 3 | 58001328 | 4 | M6 X 1.0 X 16 HX-SHCS | |
| 4 | 58001197 | 4 | M4 X 0.7 X 12 HX-SHCS | |



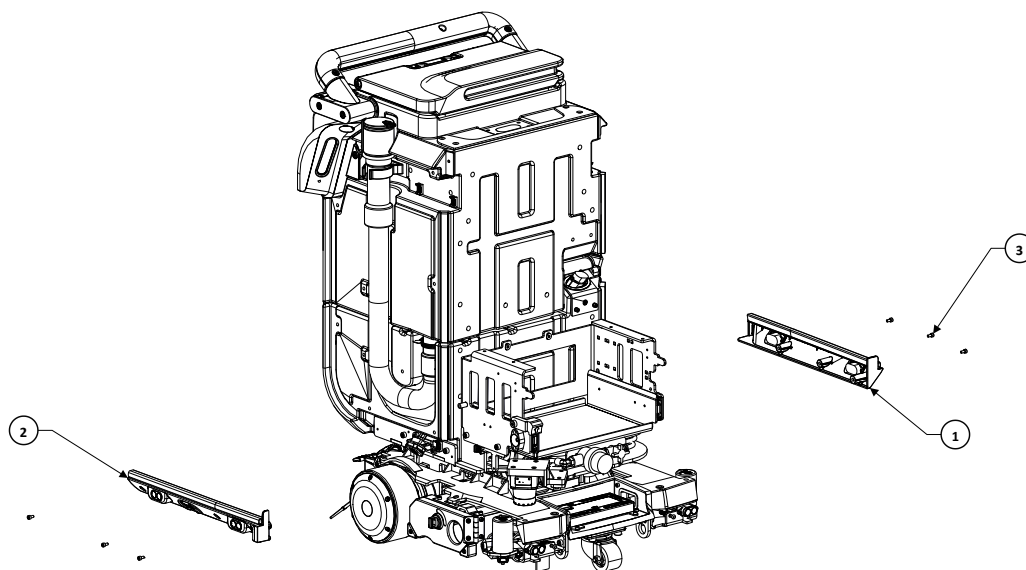
| Pos. | Artikel-Nr. | Menge | Variante | Notes |
|-------------|--------------------|--------------|-----------------------|--------------|
| 1 | 58001267 | 1 | HMI KIT | |
| 2 | 58001301 | 6 | M6 X 1.0 X 12 HX-SHCS | |
| 3 | 58001197 | 4 | M4 X 0.7 X 12 HX-SHCS | |



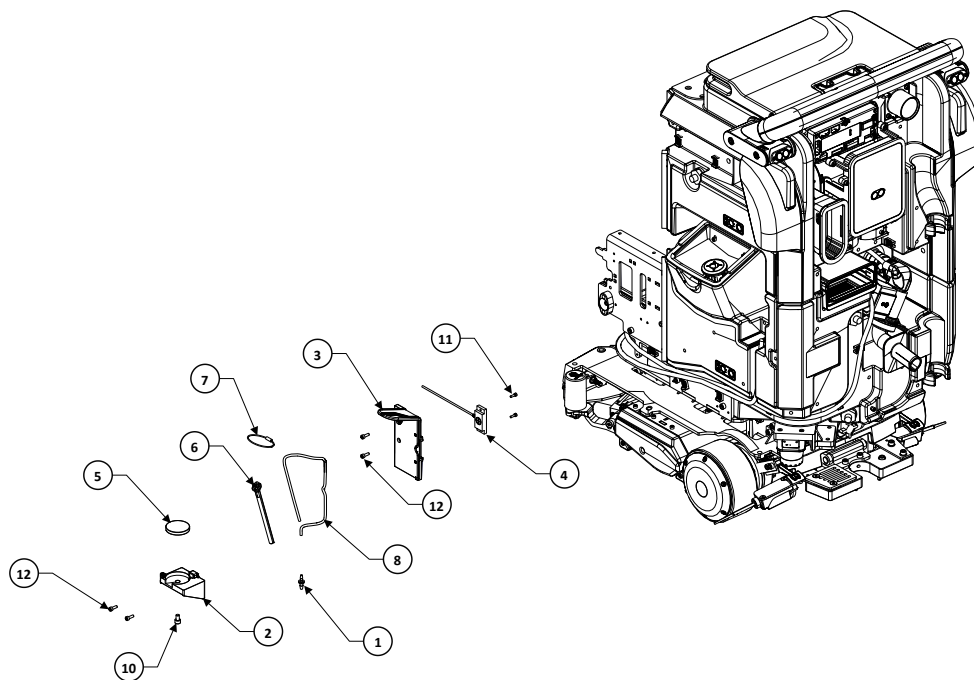
| Pos. | Artikel-Nr. | Menge | Variante | Notes |
|------|-------------|-------|-----------------------|-------|
| 1 | 58001268 | 1 | M4 X 0.7 X 6 HX-FHCS | |
| 2 | 58001301 | 4 | M6 X 1.0 X 12 HX-SHCS | |



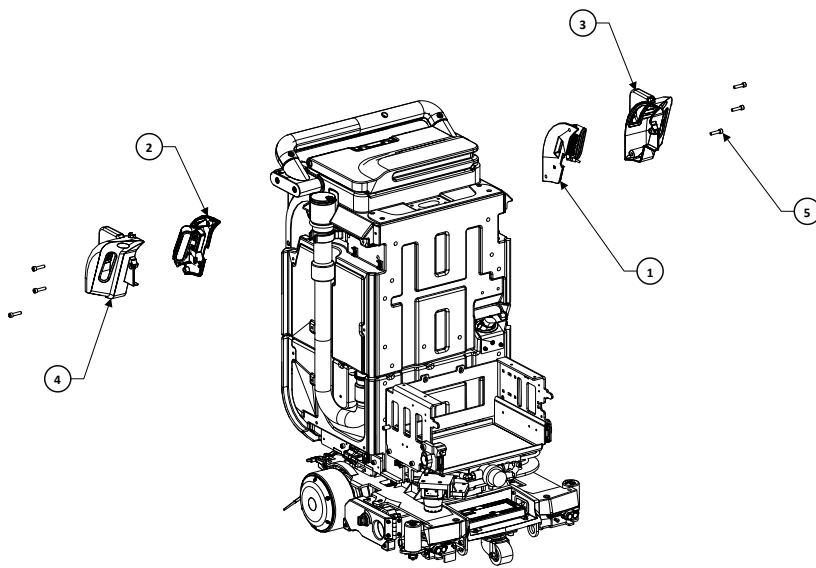
| Pos. | Artikel-Nr. | Menge | Variante | Notes |
|-------------|--------------------|--------------|--------------------------------|--------------|
| 1 | 58001345 | 1 | HOSE S HOOK ID35MM | |
| 2 | 58001269 | 1 | GASKETTED REAR LIDAR COVER KIT | |
| 3 | 58001241 | 1 | SQUEEGEE HOSE | |
| 4 | 58001197 | 2 | M4 X 0.7 X 12 HX-SHCS | |



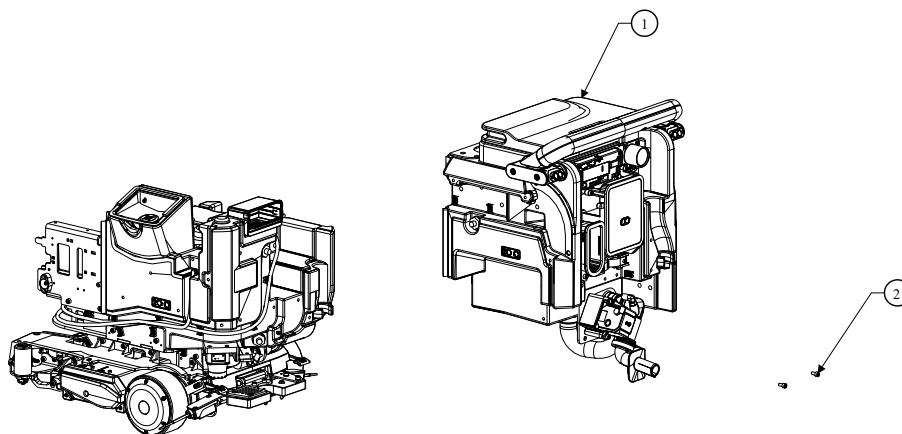
| Pos. | Artikel-Nr. | Menge | Variante | Notes |
|-------------|--------------------|--------------|------------------------------|--------------|
| 1 | 58001270 | 1 | LEFT WIRE CHANNEL COVER KIT | |
| 2 | 58001271 | 1 | RIGHT WIRE CHANNEL COVER KIT | |
| 3 | 58001275 | 6 | M4 X 0.7 X 8 HX-SHCS | |



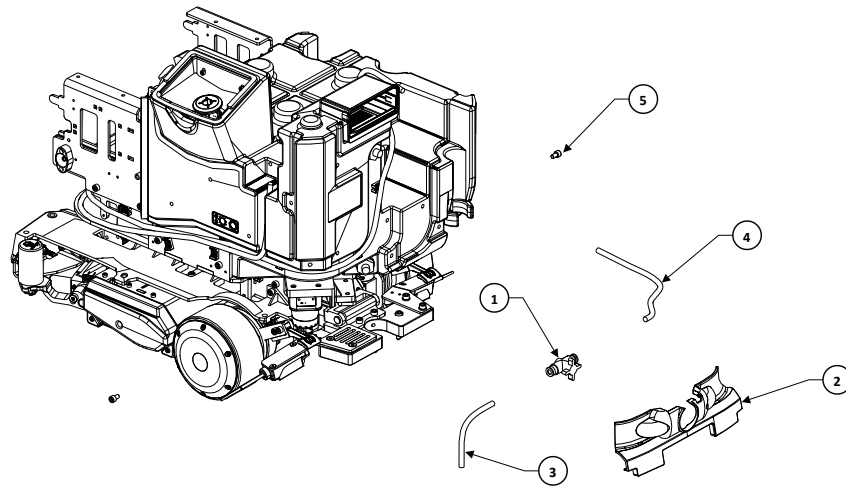
| Pos. | Artikel-Nr. | Menge | Variante | Notes |
|------|-------------|-------|------------------------------|-------|
| 1 | 58001346 | 1 | BARB 5.5MM TO 2MM | |
| 2 | 58001347 | 1 | CHEMICAL TANK MOUNT | |
| 3 | 58001348 | 1 | CHEMICAL SENSOR MOUNT | |
| 4 | 58001349 | 1 | PROXIMITY SENSOR | |
| 5 | 58001350 | 1 | RUBBERIZED MAGNET | |
| 6 | 58001351 | 1 | CHEMICAL TANK STRAW | |
| 7 | 58001352 | 1 | RETAINING WIRE | |
| 8 | 58001489 | 1 | SILICON HOSE ID2MM OD4MM L3M | |
| 10 | 58001289 | 1 | M6 X 1.0 X 10 HX-SHCS | |
| 11 | 58001184 | 2 | M3 X 0.5 X 10 HX-SHCS | |
| 12 | 58001197 | 4 | M4 X 0.7 X 12 HX-SHCS | |



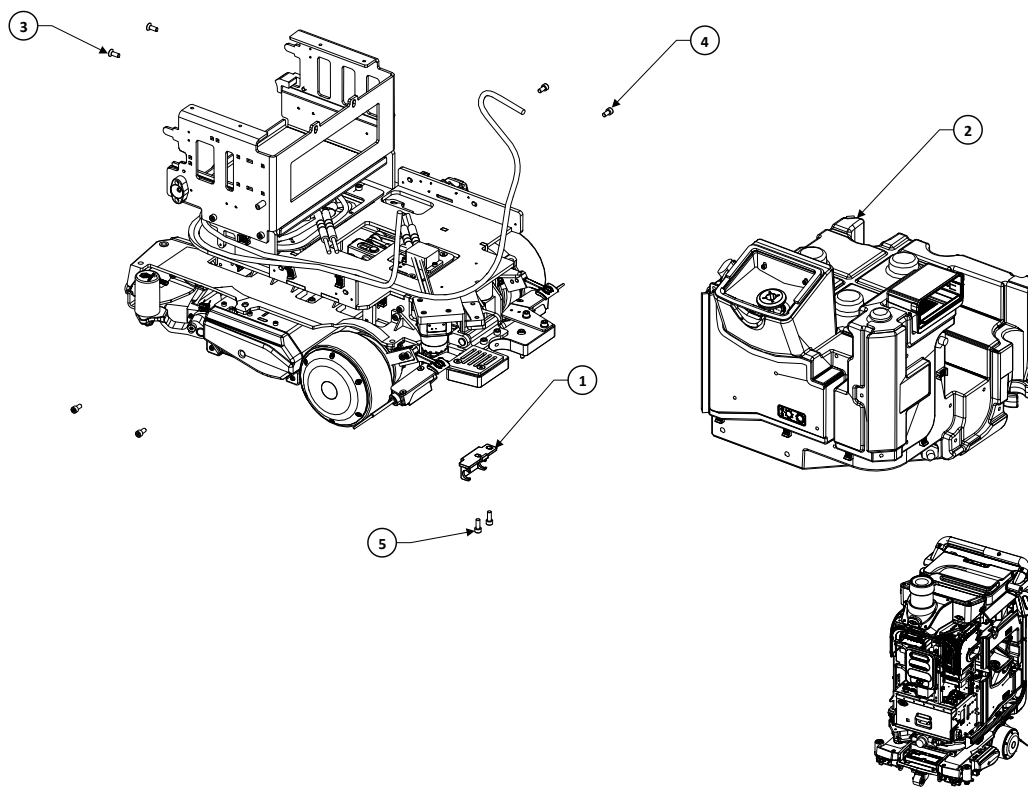
| Pos. | Artikel-Nr. | Menge | Variante | Notes |
|------|-------------|-------|--------------------------|-------|
| 1 | 58001272 | 1 | SIDE CAMERA L KIT | |
| 2 | 58001273 | 1 | SIDE CAMERA R KIT | |
| 3 | 58001353 | 1 | LEFT DEPTH CAMERA COVER | |
| 4 | 58001354 | 1 | RIGHT DEPTH CAMERA COVER | |
| 5 | 58001332 | 6 | M6 X 1.0 X 25 HX-SHCS | |



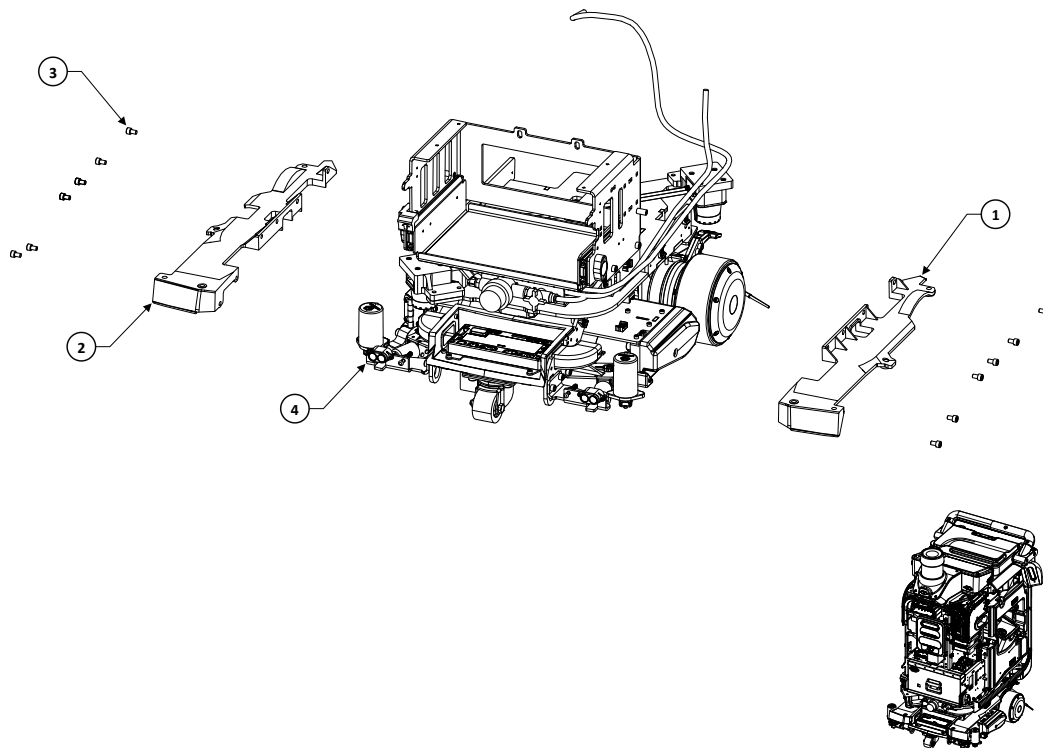
| Pos. | Artikel-Nr. | Menge | Variante | Notes |
|------|-------------|-------|-----------------------|-------|
| 1 | 58001274 | 1 | M4 X 0.7 X 6 HX-SHCS | |
| 2 | 58001301 | 2 | M6 X 1.0 X 12 HX-SHCS | |



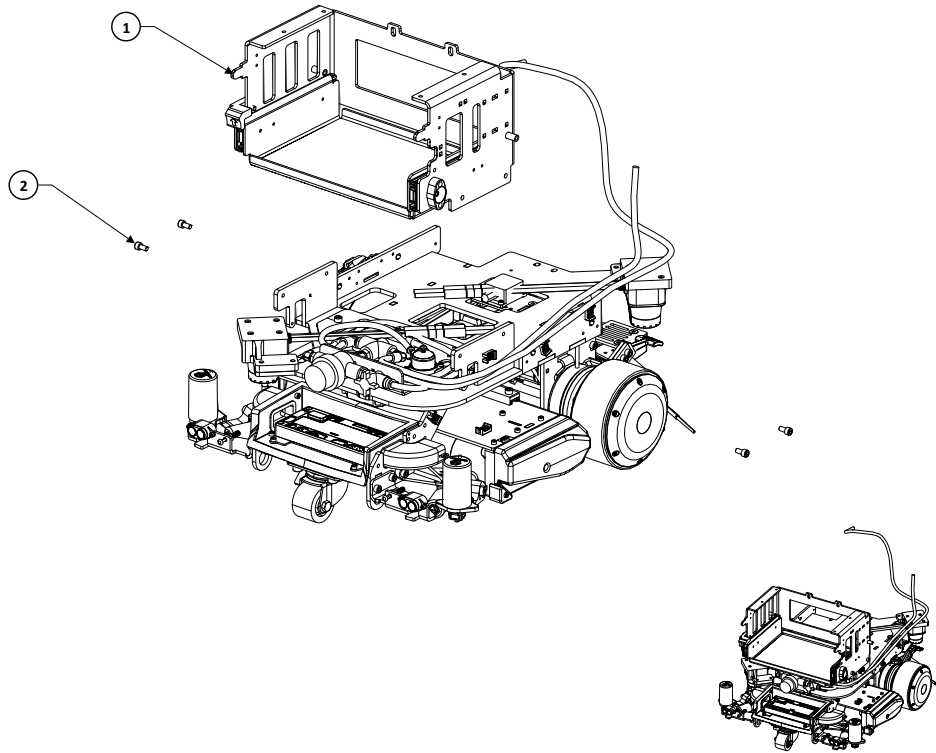
| Pos. | Artikel-Nr. | Menge | Variante | Notes |
|-------------|--------------------|--------------|--------------------------------------|--------------|
| 1 | 58001355 | 1 | BALL VALVE | |
| 2 | 58001356 | 1 | LOWER BODY SQUEEGEE LINKAGE COVER | |
| 3 | 58001127 | 1 | TRANSPARENT PU TUBE OD8 ID 5.5 L1.5M | |
| 4 | 58001127 | 1 | TRANSPARENT PU TUBE OD8 ID 5.5 L1.5M | |
| 5 | 58001289 | 2 | M6 X 1.0 X 10 HX-SHCS | |



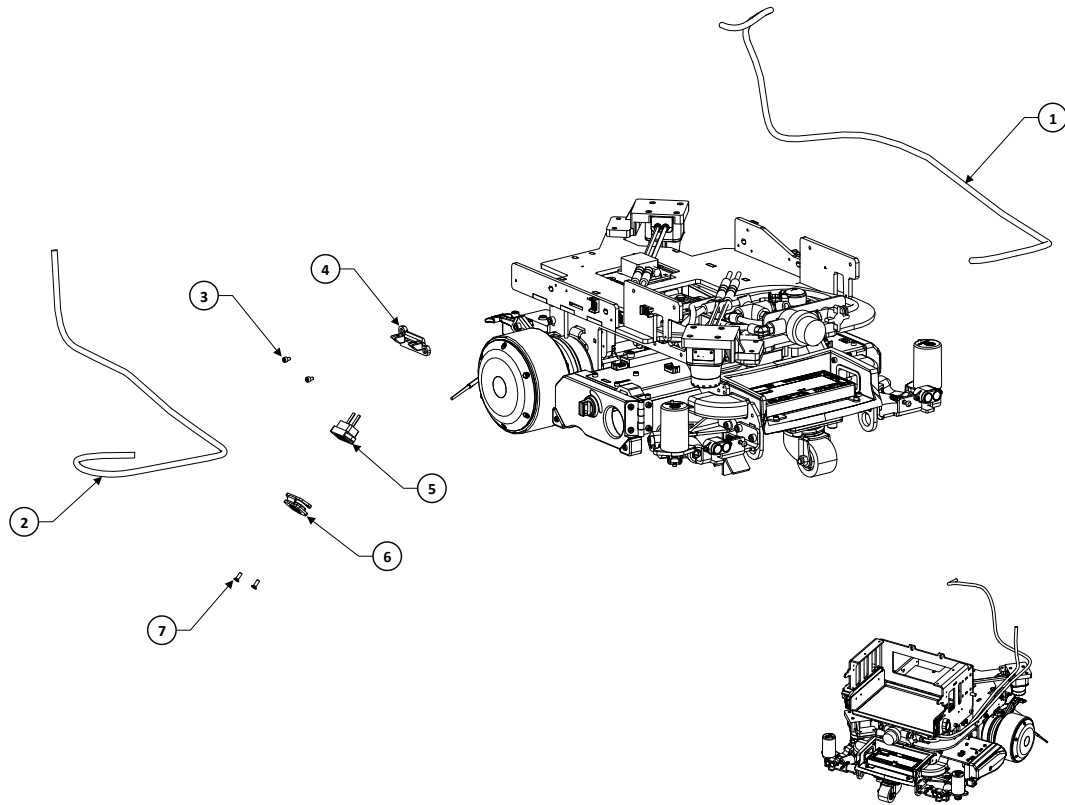
| Pos. | Artikel-Nr. | Menge | Variante | Notes |
|------|-------------|-------|--|-------|
| 1 | 58001357 | 1 | DRAIN VALVE MOUNT | |
| 2 | 58001275 | 1 | M4 X 0.7 X 8 HX-SHCSCLEAN WATER TANK KIT | |
| 3 | 58001326 | 2 | M6 X 1.0 X 16 HX-FHCS | |
| 4 | 58001301 | 4 | M6 X 1.0 X 12 HX-SHCS | |
| 5 | 58001328 | 2 | M6 X 1.0 X 16 HX-SHCS | |



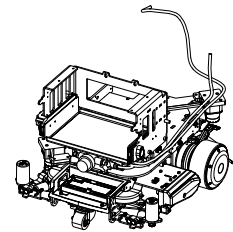
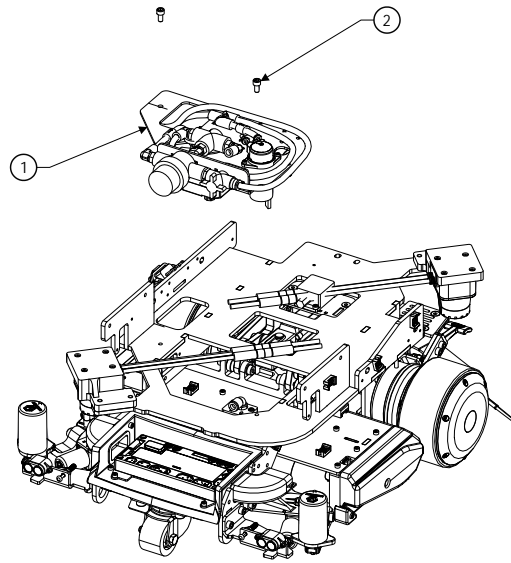
| Pos. | Artikel-Nr. | Menge | Variante | Notes |
|-------------|--------------------|--------------|--|--------------|
| 1 | 58001358 | 1 | LOWER BODY COVER MOUNT LEFT | |
| 2 | 58001359 | 1 | LOWER BODY COVER MOUNT RIGHT | |
| 3 | 58001289 | 12 | M6 X 1.0 X 10 HX-SHCS | |
| 4 | 58001276 | 1 | M4 X 0.7 X 8 SET SCREWCHASSIS SC25 KIT | |



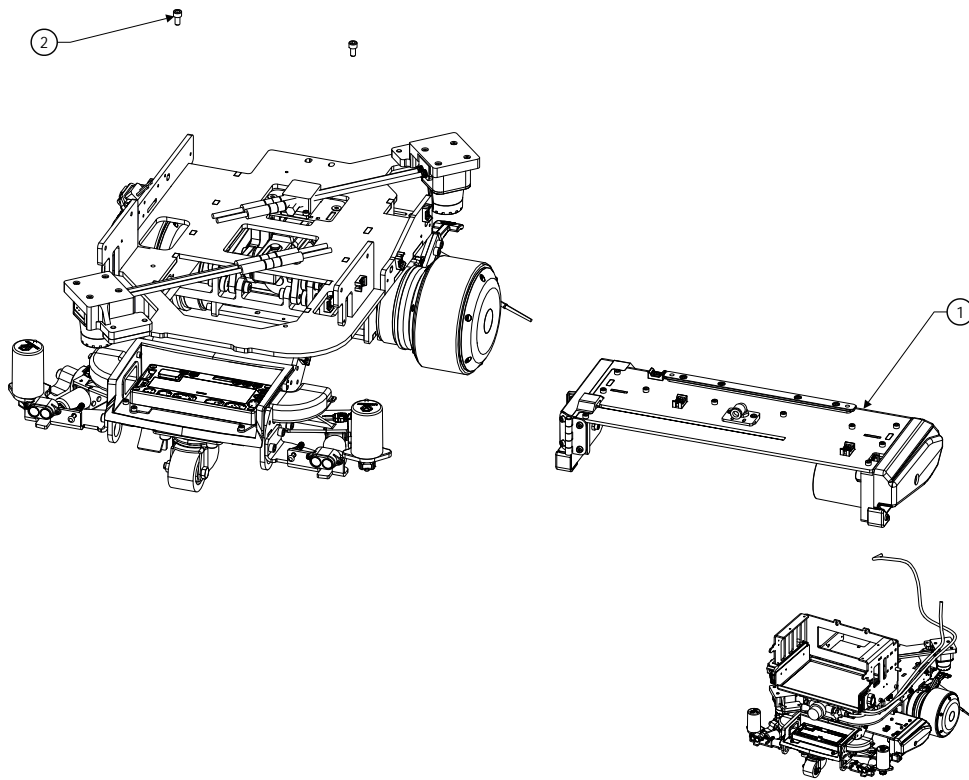
| Pos. | Artikel-Nr. | Menge | Variante | Notes |
|------|-------------|-------|-----------------------|-------|
| 1 | 58001277 | 1 | BATTERY BOX KIT | |
| 2 | 58001301 | 4 | M6 X 1.0 X 12 HX-SHCS | |



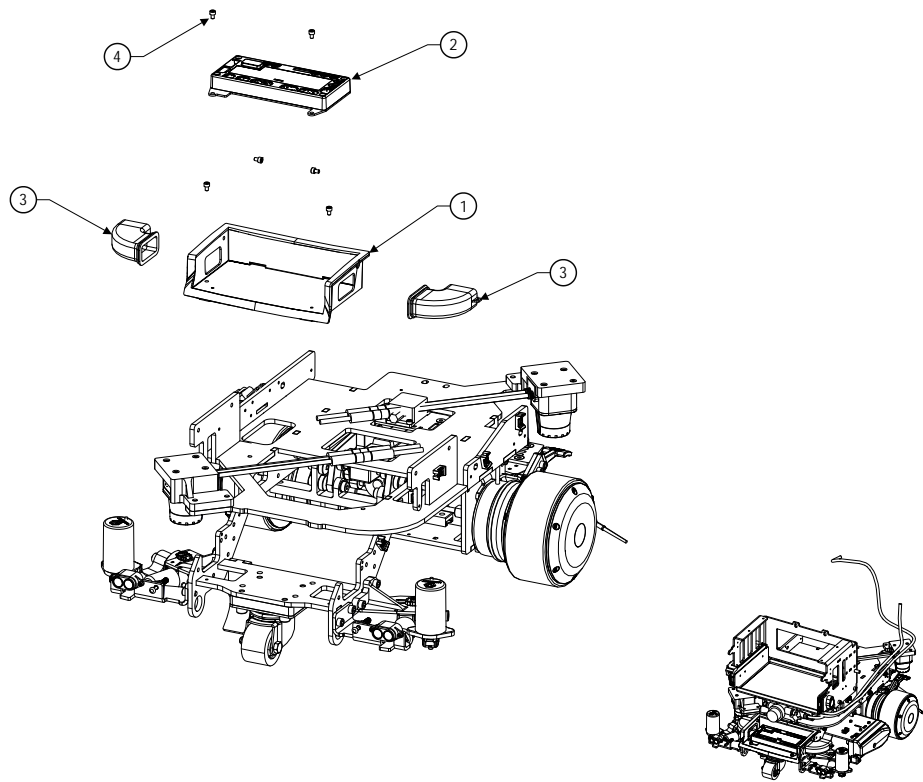
| Pos. | Artikel-Nr. | Menge | Variante | Notes |
|------|-------------|-------|--------------------------------------|-------|
| 1 | 58001127 | 1 | TRANSPARENT PU TUBE OD8 ID 5.5 L1.5M | |
| 2 | 58001127 | 1 | TRANSPARENT PU TUBE OD8 ID 5.5 L1.5M | |
| 3 | 58001274 | 2 | M4 X 0.7 X 6 HX-SHCS | |
| 4 | 58001140 | 1 | CHARGING PORT MOUNT | |
| 5 | 58001522 | 1 | R3OS62, BUS BAR / MANUAL CHARGE | |
| 6 | 58001548 | 1 | RUBBER CAP | |
| 7 | 58001196 | 2 | M4 x 0.7 x 12 HX-FHCS | |



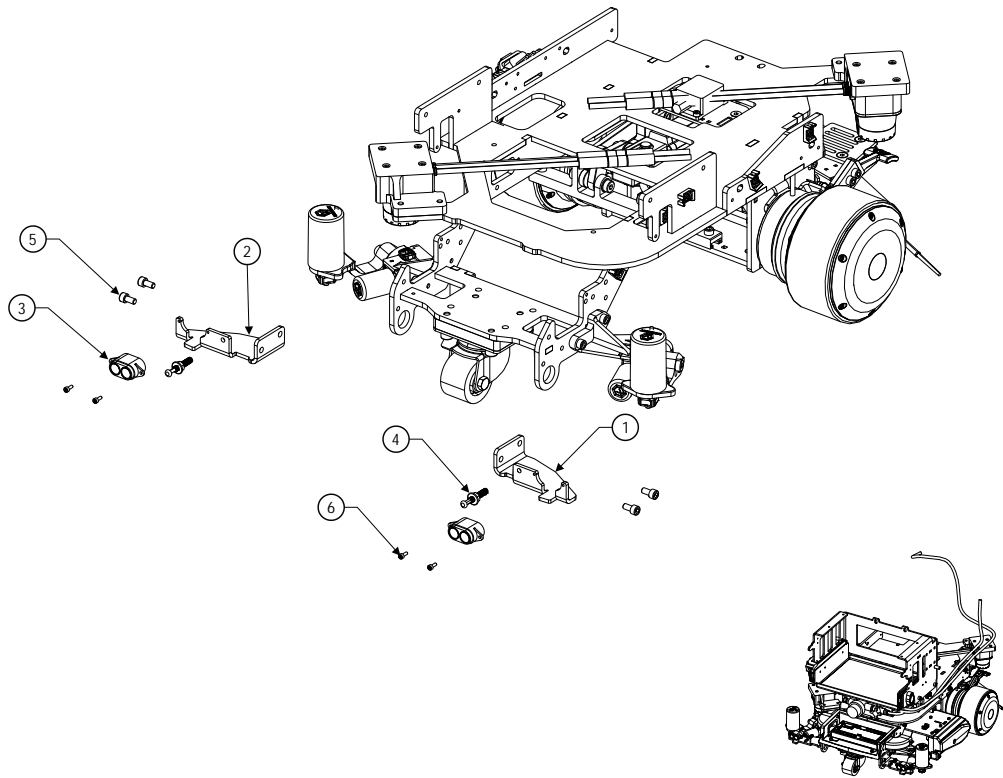
| Pos. | Artikel-Nr. | Menge | Variante | Notes |
|-------------|--------------------|--------------|-----------------------|--------------|
| 1 | 58001278 | 1 | FLUID SYSTEM KIT | |
| 2 | 58001301 | 2 | M6 X 1.0 X 12 HX-SHCS | |



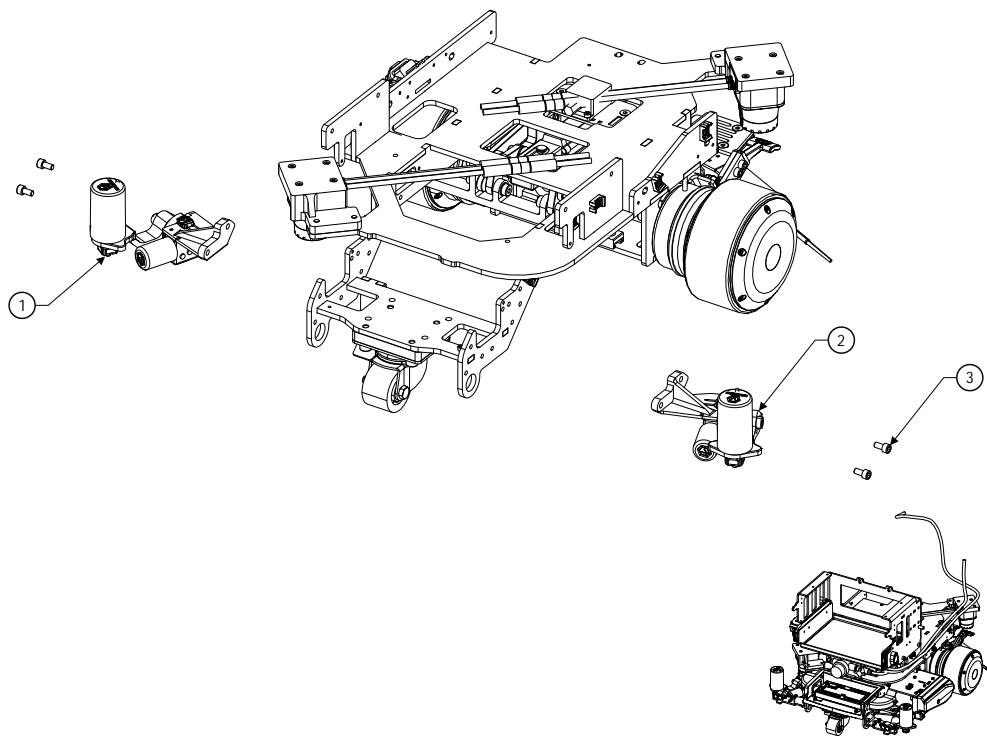
| Pos. | Artikel-Nr. | Menge | Variante | Notes |
|-------------|--------------------|--------------|-----------------------|--------------|
| 1 | 58001279 | 1 | BRUSH DECK KIT | |
| 2 | 58001301 | 2 | M6 X 1.0 X 12 HX-SHCS | |



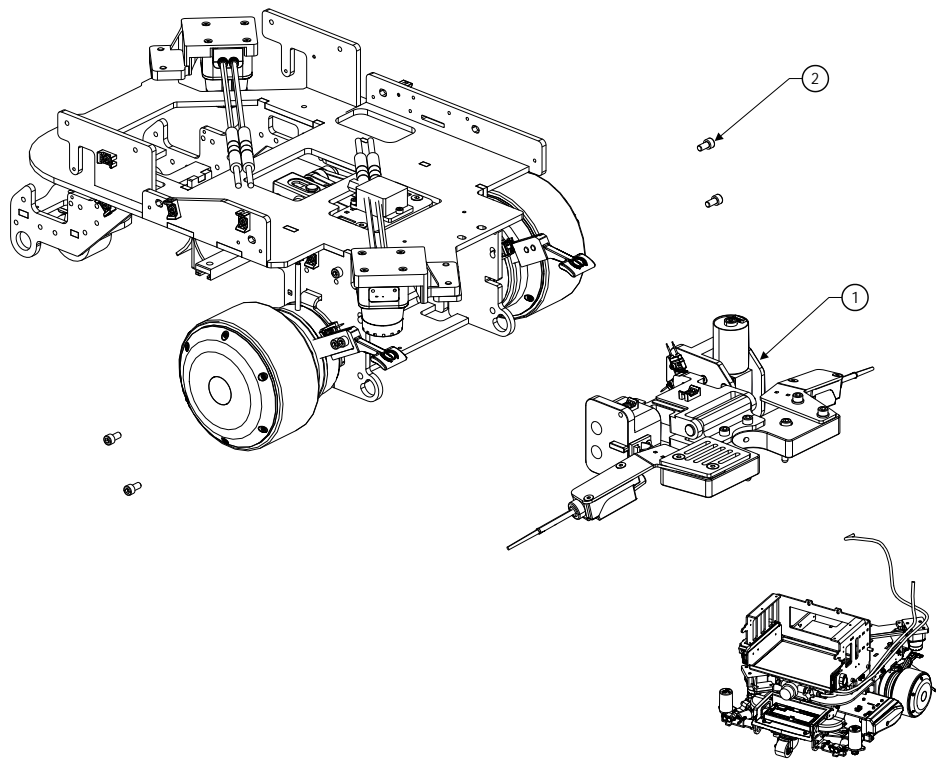
| Pos. | Artikel-Nr. | Menge | Variante | Notes |
|-------------|--------------------|--------------|------------------------------------|--------------|
| 1 | 58001280 | 1 | GASKETTED ECU BOTTOM ENCLOSURE KIT | |
| 2 | 58001281 | 1 | ECU BOTTOM KIT | |
| 3 | 58001360 | 2 | WIRE GROMMET | |
| 4 | 58001274 | 6 | M4 X 0.7 X 6 HX-SHCS | |



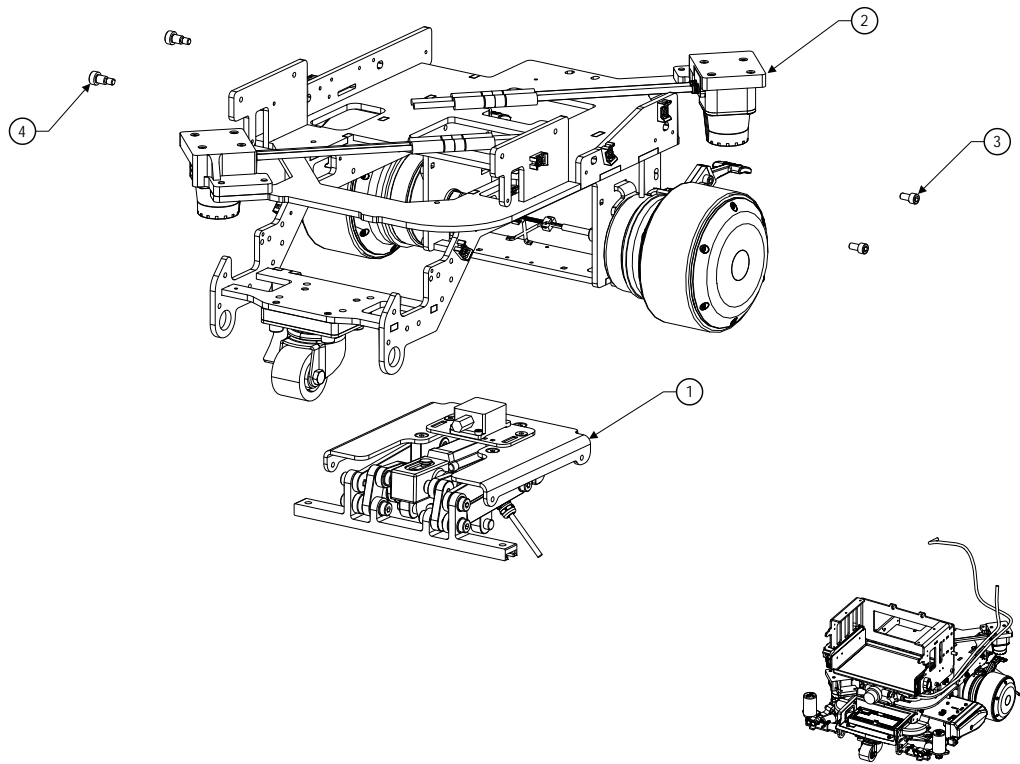
| Pos. | Artikel-Nr. | Menge | Variante | Notes |
|-------------|--------------------|--------------|-------------------------|--------------|
| 1 | 58001361 | 1 | LOWER LATCH MOUNT LEFT | |
| 2 | 58001362 | 1 | LOWER LATCH MOUNT RIGHT | |
| 3 | 58001239 | 2 | SONAR SENSOR 1 | |
| 4 | 58001363 | 2 | BUTTON LATCH SHAFT | |
| 5 | 58001301 | 4 | M6 X 1.0 X 12 HX-SHCS | |
| 6 | 58001275 | 4 | M4 X 0.7 X 8 HX-SHCS | |



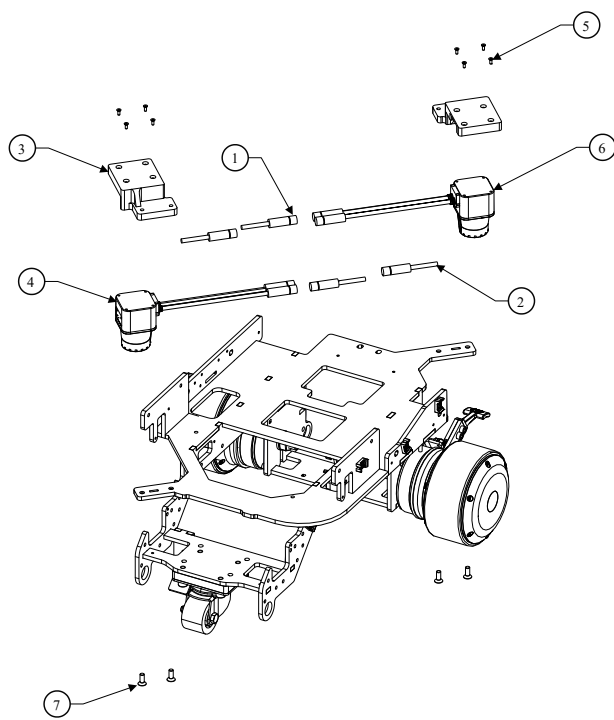
| Pos. | Artikel-Nr. | Menge | Variante | Notes |
|-------------|--------------------|--------------|-----------------------|--------------|
| 1 | 58001282 | 1 | SIDE BRUSH R KIT | |
| 2 | 58001283 | 1 | SIDE BRUSH L KIT | |
| 3 | 58001301 | 4 | M6 X 1.0 X 12 HX-SHCS | |



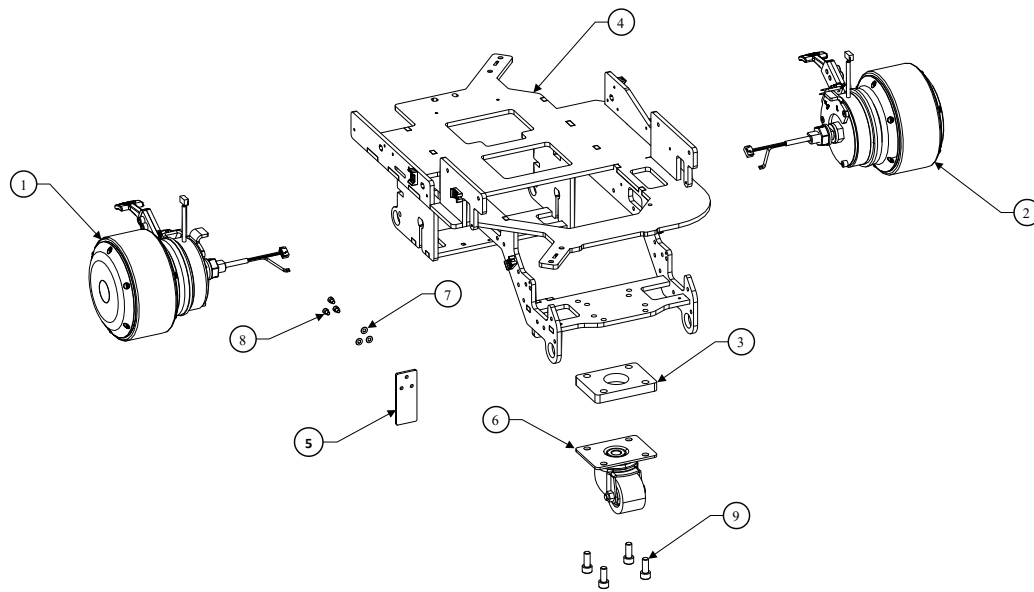
| Pos. | Artikel-Nr. | Menge | Variante | Notes |
|-------------|--------------------|--------------|-----------------------|--------------|
| 1 | 58001284 | 1 | SQUEEGEE LIFT KIT | |
| 2 | 58001301 | 4 | M6 X 1.0 X 12 HX-SHCS | |



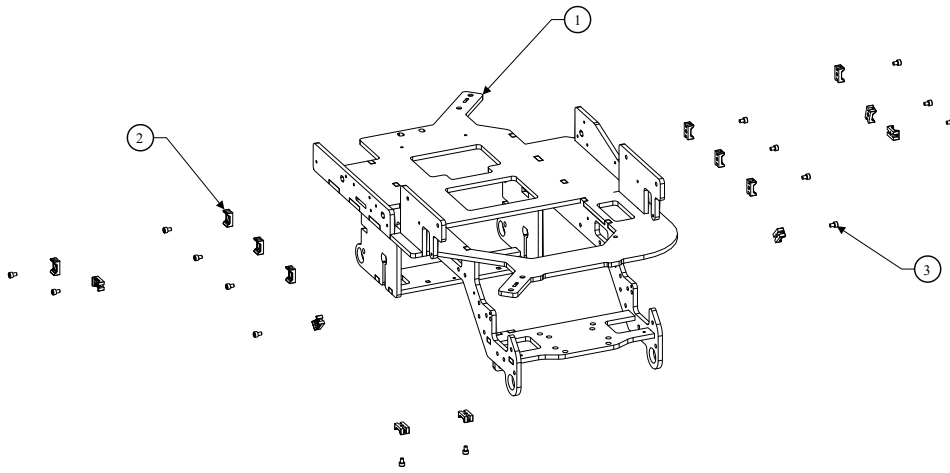
| Pos. | Artikel-Nr. | Menge | Variante | Notes |
|------|-------------|-------|-----------------------------------|-------|
| 1 | 58001285 | 1 | BRUSH DECK LIFT KIT | |
| 2 | 58001286 | 1 | M6 FLAT WASHERWHEEL BASE SC25 KIT | |
| 3 | 58001301 | 2 | M6 X 1.0 X 12 HX-SHCS | |
| 4 | 58001559 | 2 | SHOULDER BOLT L 10MM | |



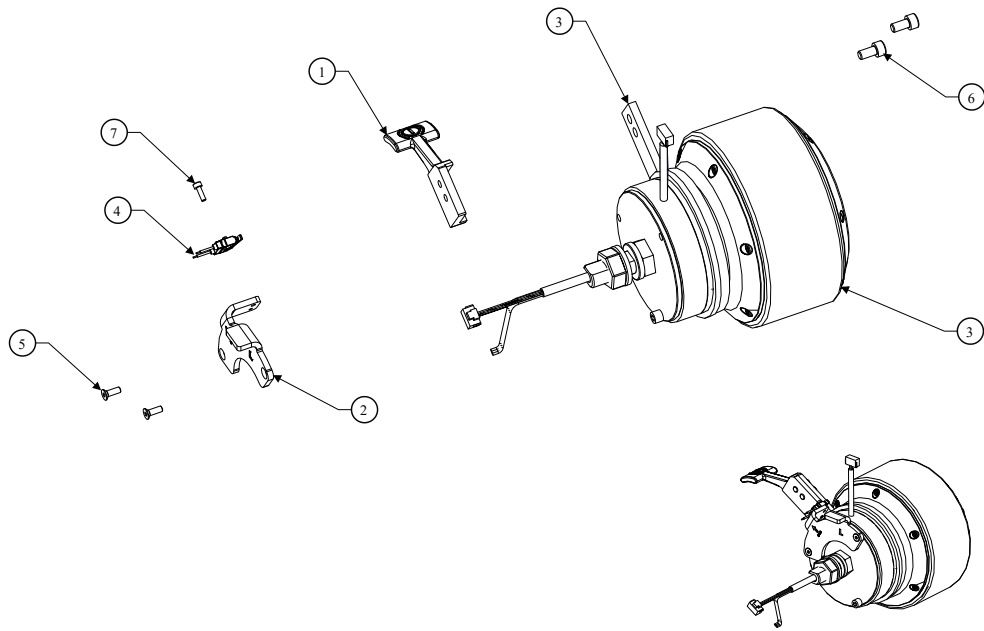
| Pos. | Artikel-Nr. | Menge | Variante | Notes |
|------|-------------|-------|-----------------------|-------|
| 1 | 58001364 | 2 | LIDAR POWER CABLE | |
| 2 | 58001365 | 2 | LIDAR SIGNAL CABLE | |
| 3 | 58001366 | 2 | LIDAR MOUNT | |
| 4 | 58001217 | 1 | LIDAR CONFIG 1 | |
| 5 | 58001189 | 8 | M3 X 0.5 X 8 HX-FHCS | |
| 6 | 58001218 | 1 | LIDAR CONFIG 2 | |
| 7 | 58001326 | 4 | M6 X 1.0 X 16 HX-FHCS | |



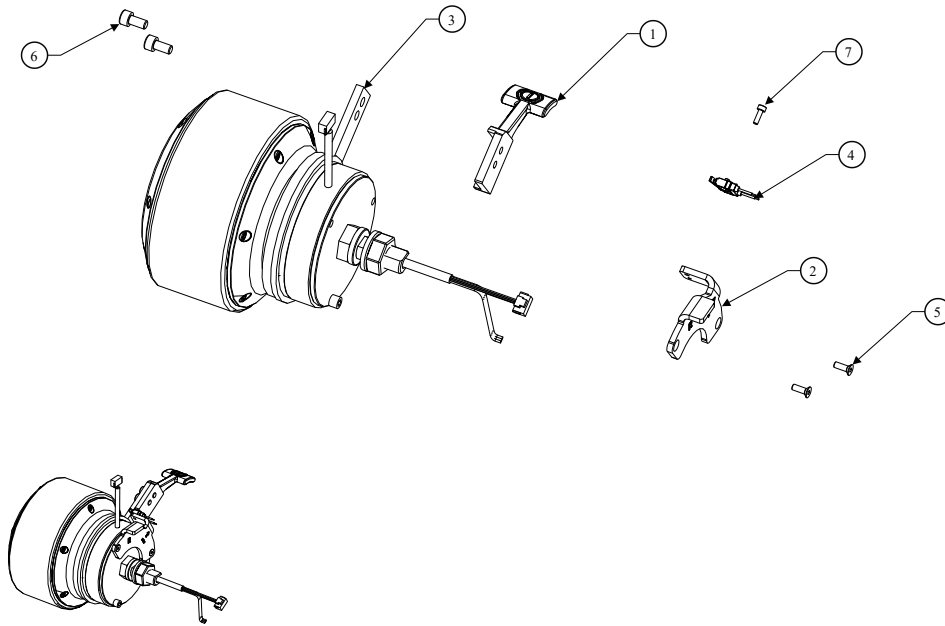
| Pos. | Artikel-Nr. | Menge | Variante | Notes |
|------|-------------|-------|------------------------|-------|
| 1 | 58001287 | 1 | TRACTION RIGHT KIT | |
| 2 | 58001288 | 1 | TRACTION LEFT KIT | |
| 3 | 58001367 | 1 | CASTER WHEEL SPACER | |
| 4 | 58001289 | 1 | M6 X 1.0 X 10 HX-SHCS | |
| 5 | 58001368 | 1 | GROUNDING STRAP | |
| 6 | 58001207 | 1 | CASTOR WHEEL 50MM SS | |
| 7 | 58001192 | 3 | M4 FLAT WASHER | |
| 8 | 58001274 | 3 | M4 X 0.7 X 6 HX-SHCS | |
| 9 | 58001049 | 4 | M8 X 1.25 X 20 HX-SHCS | |



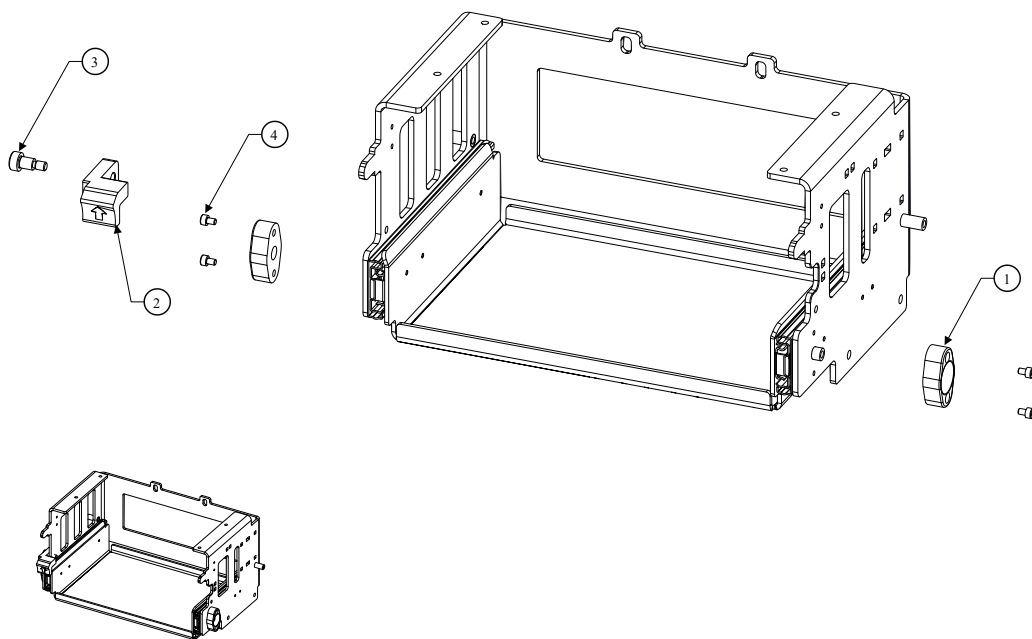
| Pos. | Artikel-Nr. | Menge | Variante | Notes |
|-------------|--------------------|--------------|-----------------------|--------------|
| 1 | | 1 | CHASSIS | |
| 2 | 58001383 | 14 | CABLE TIE MOUNT 4.5MM | |
| 3 | 58001274 | 14 | M4 X 0.7 X 6 HX-SHCS | |



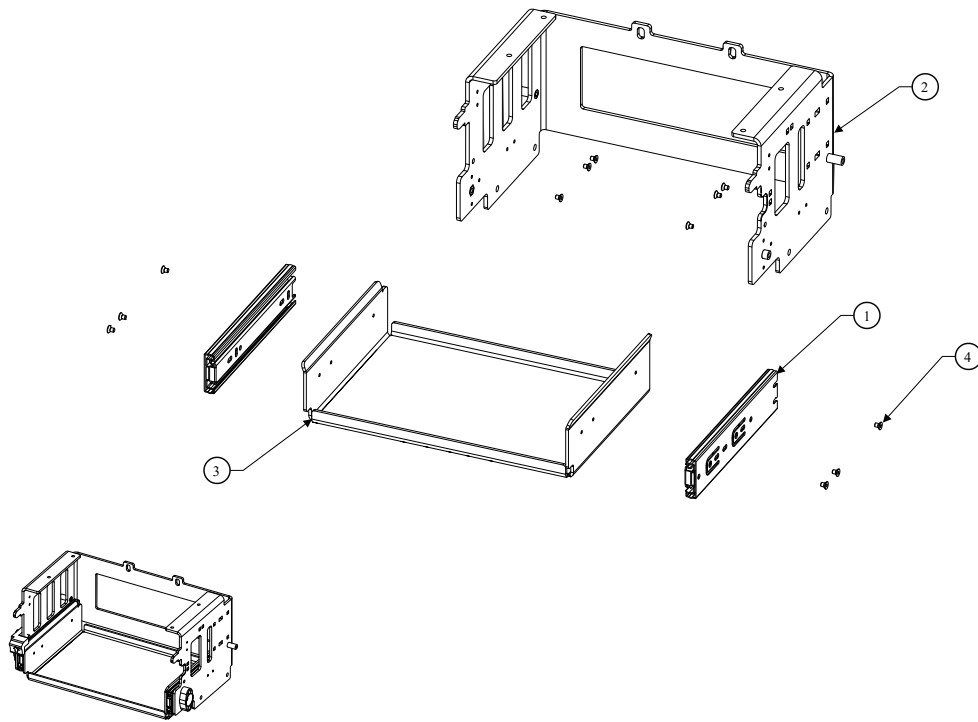
| Pos. | Artikel-Nr. | Menge | Variante | Notes |
|------|-------------|-------|--------------------------------|-------|
| 1 | 58001372 | 1 | BRAKE OVERRIDE LEVER LEFT | |
| 2 | 58001373 | 1 | BRAKE SWITCH MOUNT LEFT | |
| 3 | 58001374 | 1 | TRACTION MOTOR WITH BRAKE LEFT | |
| 4 | 58001245 | 1 | MICRO SWITCH | |
| 5 | 58001196 | 2 | M4 x 0.7 x 12 HX-FHCS | |
| 6 | 58001301 | 2 | M6 X 1.0 X 12 HX-SHCS | |
| 7 | 58001184 | 1 | M3 X 0.5 X 10 HX-SHCS | |



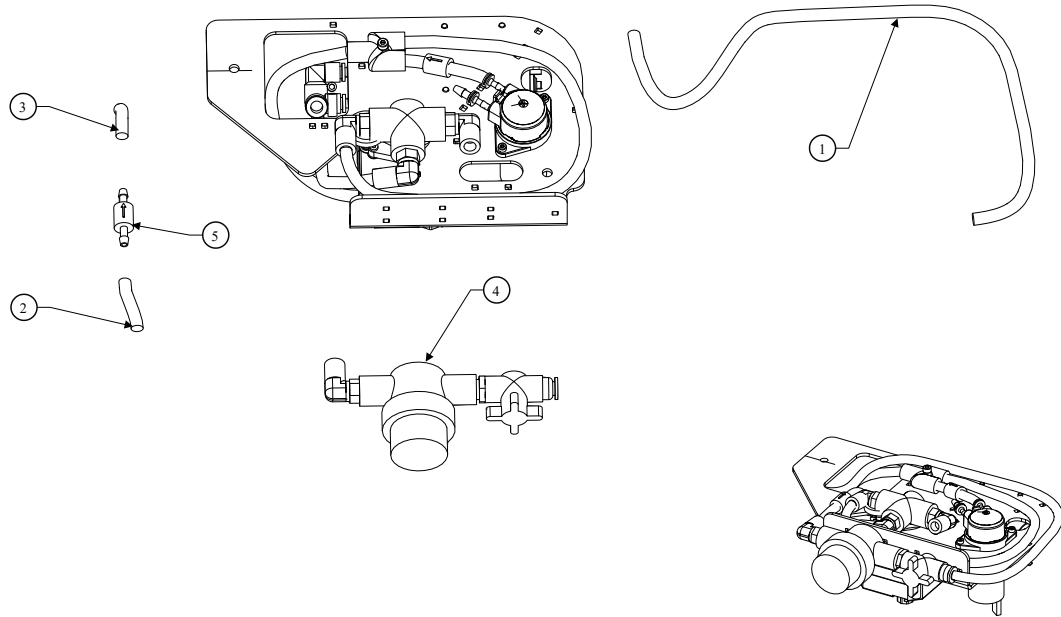
| Pos. | Artikel-Nr. | Menge | Variante | Notes |
|------|-------------|-------|---------------------------------|-------|
| 1 | 58001369 | 1 | BRAKE OVERRIDE LEVER RIGHT | |
| 2 | 58001370 | 1 | BRAKE SWITCH MOUNT RIGHT | |
| 3 | 58001371 | 1 | TRACTION MOTOR WITH BRAKE RIGHT | |
| 4 | 58001245 | 1 | MICRO SWITCH | |
| 5 | 58001196 | 2 | M4 x 0.7 x 12 HX-FHCS | |
| 6 | 58001301 | 2 | M6 X 1.0 X 12 HX-SHCS | |
| 7 | 58001184 | 1 | M3 X 0.5 X 10 HX-SHCS | |



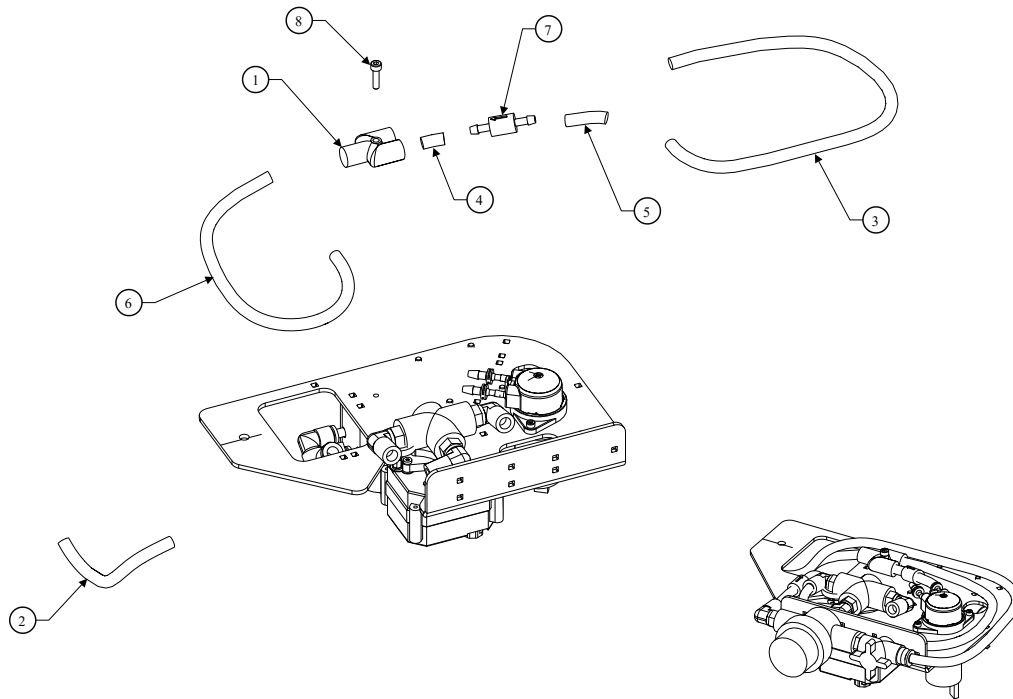
| Pos. | Artikel-Nr. | Menge | Variante | Notes |
|-------------|--------------------|--------------|----------------------|--------------|
| 1 | 58001164 | 2 | FACADE KNOB ALIGNER | |
| 2 | 58001541 | 1 | RAIL LATCH | |
| 3 | 58001559 | 1 | SHOULDER BOLT L 10MM | |
| 4 | 58001274 | 4 | M4 X 0.7 X 6 HX-SHCS | |



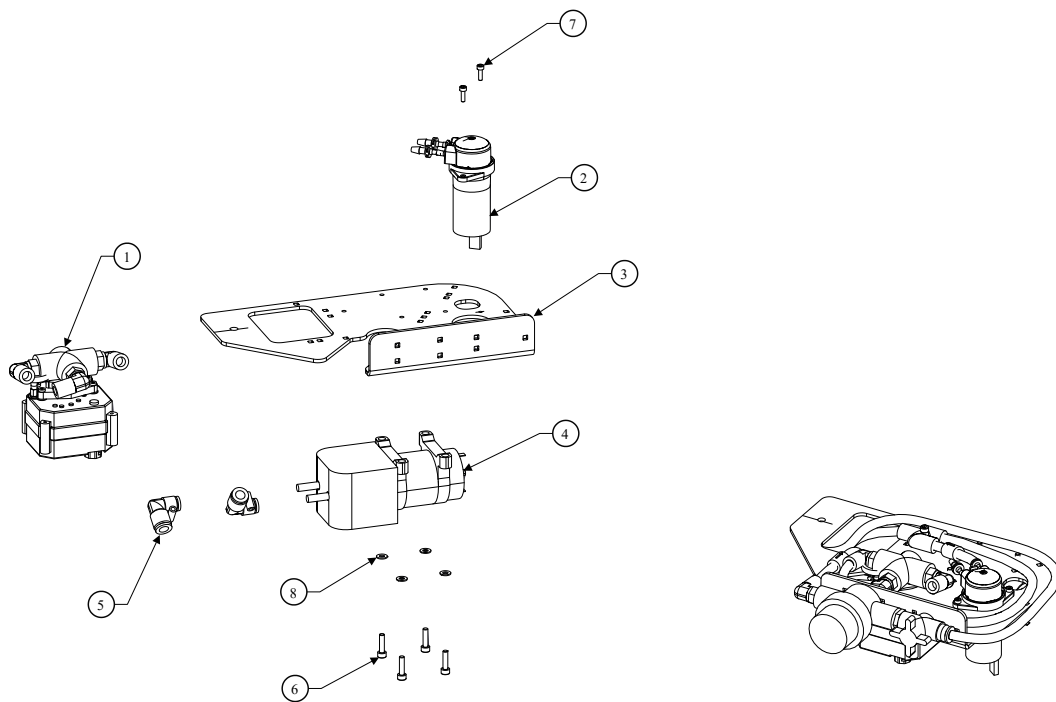
| Pos. | Artikel-Nr. | Menge | Variante | Notes |
|-------------|--------------------|--------------|----------------------|--------------|
| 1 | 58001572 | 2 | TELESCOPIC RAIL | |
| 2 | 58001134 | 1 | BATTERY FRAME | |
| 3 | 58001135 | 1 | BATTERY TRAY | |
| 4 | 58001268 | 12 | M4 X 0.7 X 6 HX-FHCS | |



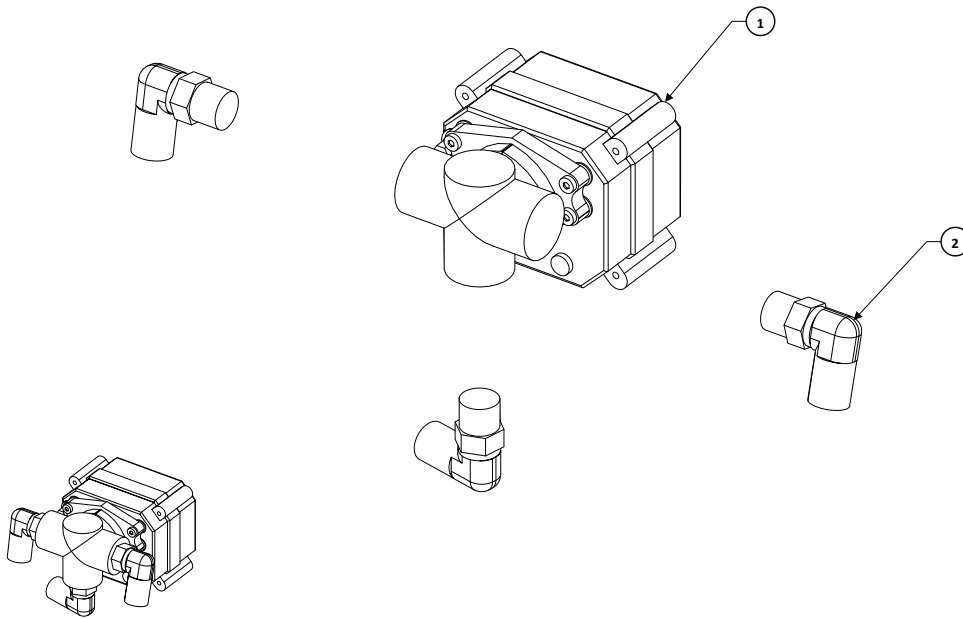
| Pos. | Artikel-Nr. | Menge | Variante | Notes |
|-------------|--------------------|--------------|--------------------------------------|--------------|
| 1 | 58001127 | 1 | TRANSPARENT PU TUBE OD8 ID 5.5 L1.5M | |
| 2 | 58001127 | 1 | TRANSPARENT PU TUBE OD8 ID 5.5 L1.5M | |
| 3 | 58001127 | 1 | TRANSPARENT PU TUBE OD8 ID 5.5 L1.5M | |
| 4 | 58001290 | 1 | ASSEMBLED FILTER KIT | |
| 5 | 58001375 | 1 | PRESSURE CHECK VALVE | |



| Pos. | Artikel-Nr. | Menge | Variante | Notes |
|-------------|--------------------|--------------|---------------------------------------|--------------|
| 1 | 58001376 | 1 | PUSH FIT 3 WAY HOSE FITTING HOSE D8MM | |
| 2 | 58001127 | 1 | TRANSPARENT PU TUBE OD8 ID 5.5 L1.5M | |
| 3 | 58001127 | 1 | TRANSPARENT PU TUBE OD8 ID 5.5 L1.5M | |
| 4 | 58001127 | 1 | TRANSPARENT PU TUBE OD8 ID 5.5 L1.5M | |
| 5 | 58001127 | 1 | TRANSPARENT PU TUBE OD8 ID 5.5 L1.5M | |
| 6 | 58001127 | 1 | TRANSPARENT PU TUBE OD8 ID 5.5 L1.5M | |
| 7 | 58001375 | 1 | PRESSURE CHECK VALVE | |
| 8 | 58001198 | 1 | M4 X 0.7 X 16 HX-SHCS | |



| Pos. | Artikel-Nr. | Menge | Variante | Notes |
|-------------|--------------------|--------------|-------------------------------|--------------|
| 1 | 58001291 | 1 | ASSEMBLED THREE WAY VALVE KIT | |
| 2 | 58001208 | 1 | CHEMICAL PUMP | |
| 3 | 58001051 | 1 | MOUNTING PLATE | |
| 4 | 58001228 | 1 | WATER PUMP | |
| 5 | 58001377 | 2 | ELBOW FITTING | |
| 6 | 58001198 | 4 | M4 X 0.7 X 16 HX-SHCS | |
| 7 | 58001184 | 2 | M3 X 0.5 X 10 HX-SHCS | |
| 8 | 58001192 | 4 | M4 FLAT WASHER | |



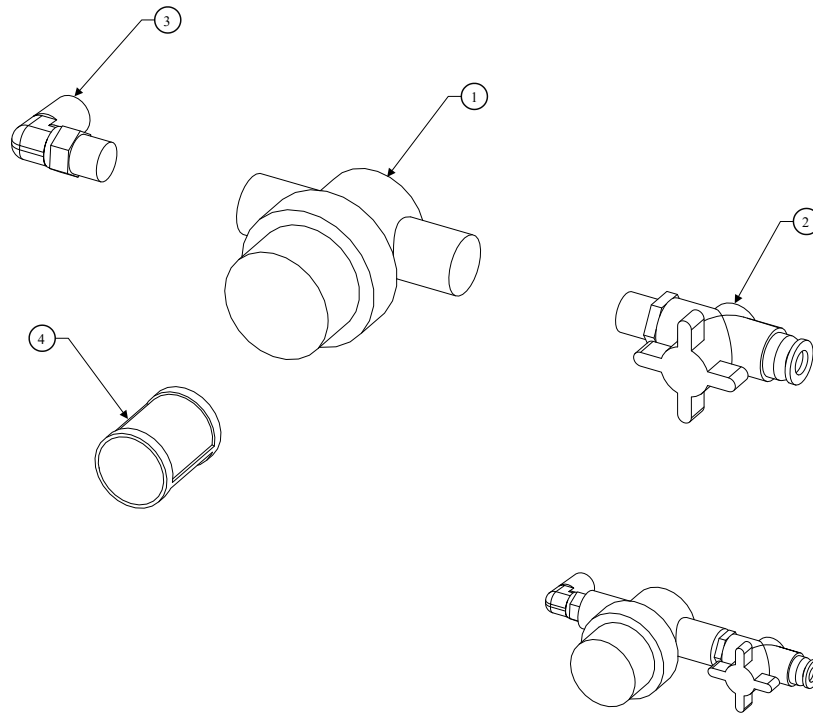
ASSEMBLED THREE WAY VALVE SA

SC25

2024.09.19

2024.09.25

| Pos. | Artikel-Nr. | Menge | Variante | Notes |
|-------------|--------------------|--------------|-------------------------------|--------------|
| 1 | 58001226 | 1 | BALL VALVE KIT | |
| 2 | 58001378 | 3 | 1/4 MALE ELBOW SWIVEL FITTING | |



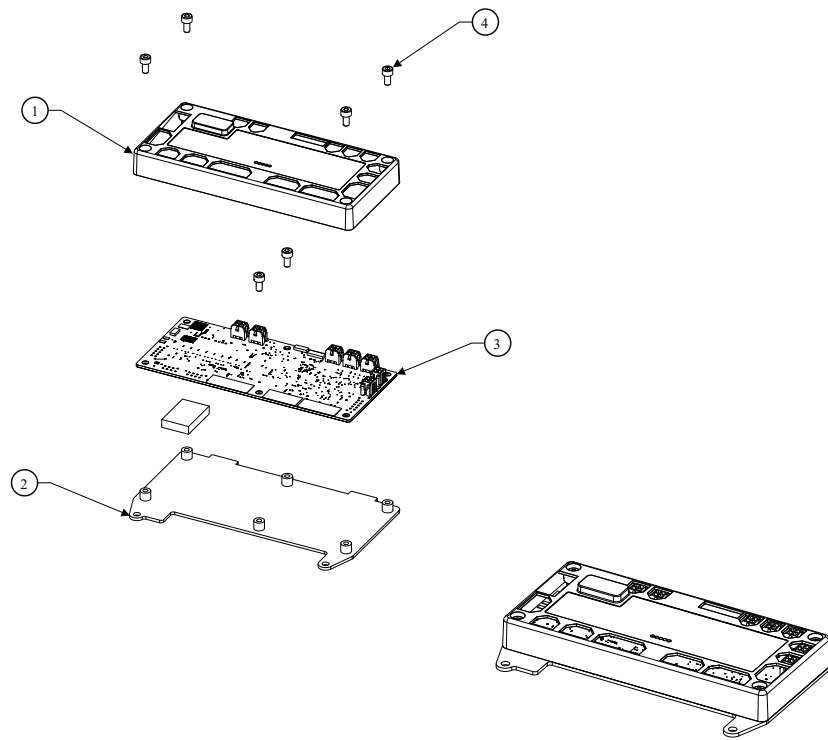
ASSEMBLED FILTER SA

SC25

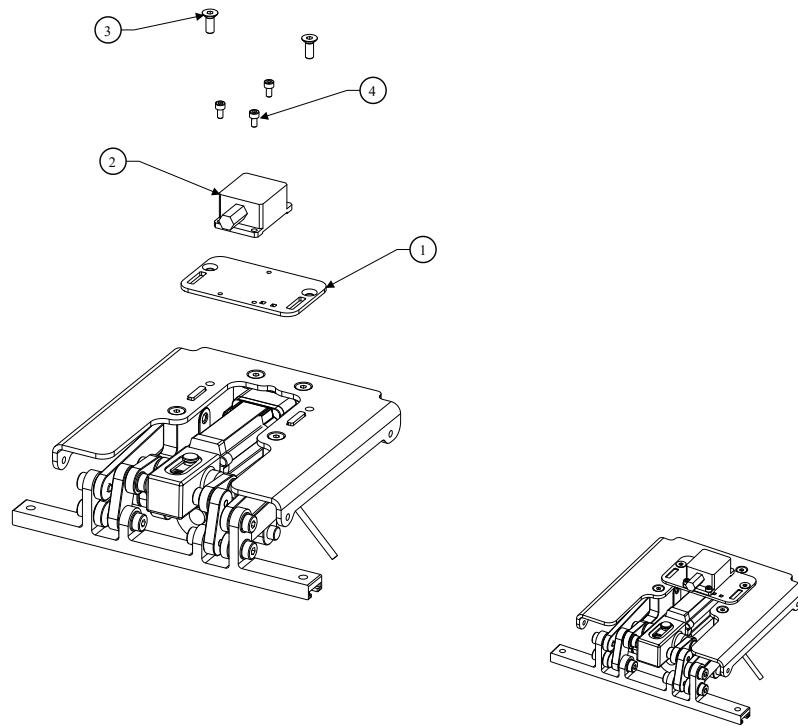
2024.09.19

2024.09.25

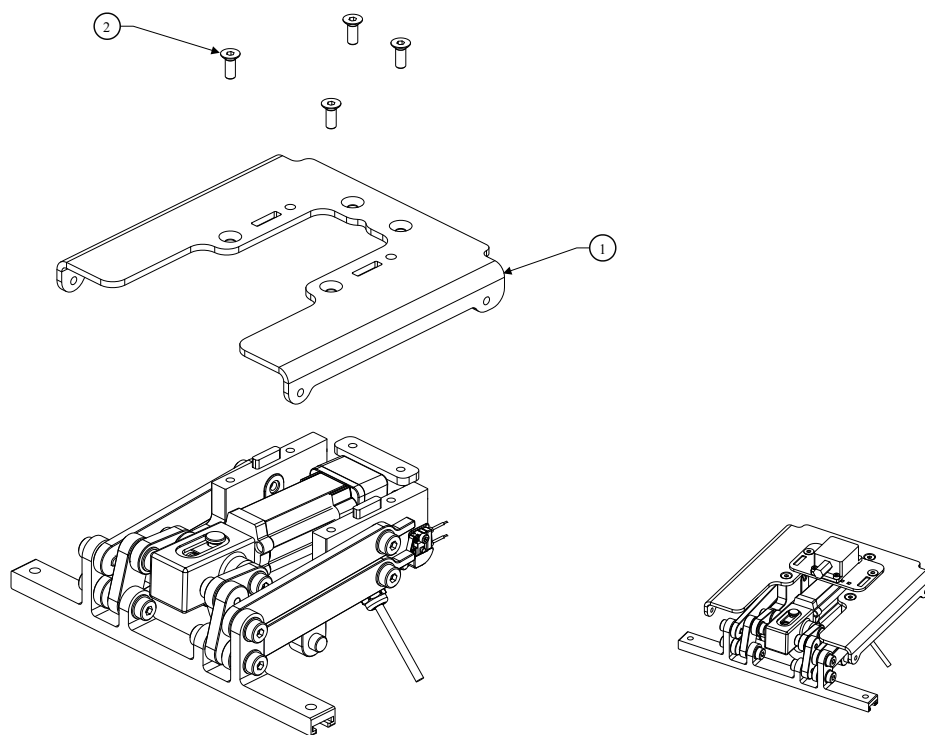
| Pos. | Artikel-Nr. | Menge | Variante | Notes |
|-------------|--------------------|--------------|-------------------------------|--------------|
| 1 | 58001379 | 1 | CLEAN WATER FILTER | |
| 2 | 58001380 | 1 | DRAINAGE BALL VALVE | |
| 3 | 58001378 | 1 | 1/4 MALE ELBOW SWIVEL FITTING | |
| 4 | 58001333 | 1 | CLEAN WATER FILTER CAGE MESH | |



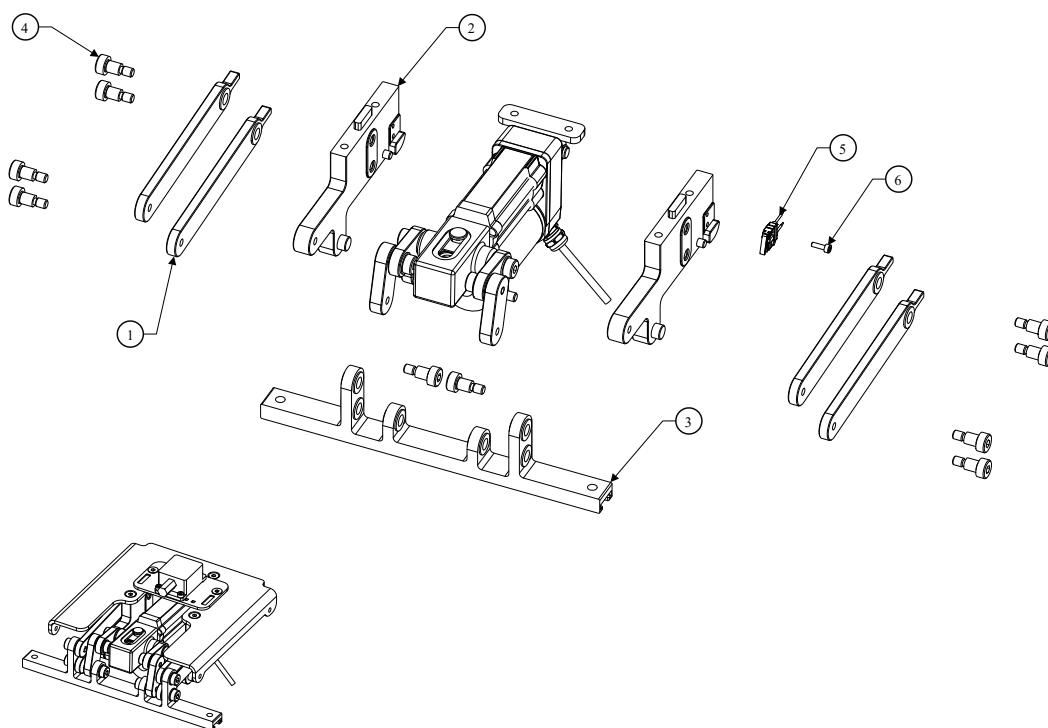
| Pos. | Artikel-Nr. | Menge | Variante | Notes |
|-------------|--------------------|--------------|-----------------------------------|--------------|
| 1 | 58001158 | 1 | ECU BOTTOM LID | |
| 2 | 58001157 | 1 | ECU BOTTOM BASEPLATE WITH STICKER | |
| 3 | 58001210 | 1 | ECU BOTTOM F | |
| 4 | 58001275 | 6 | M4 X 0.7 X 8 HX-SHCS | |



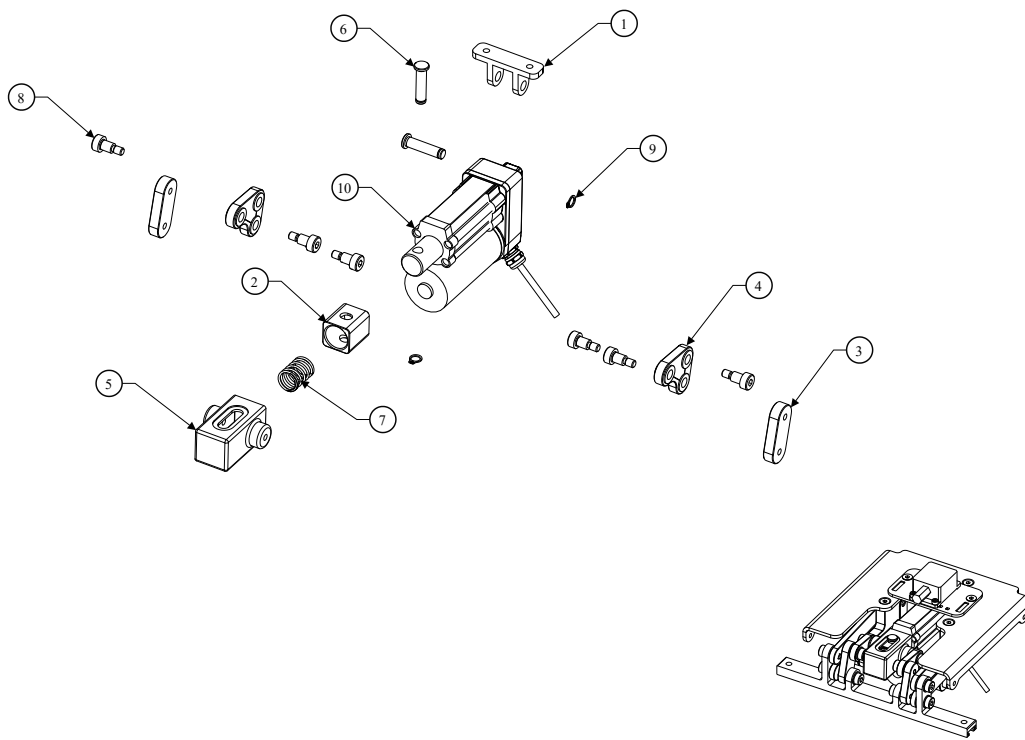
| Pos. | Artikel-Nr. | Menge | Variante | Notes |
|------|-------------|-------|-----------------------|-------|
| 1 | | 1 | IMU MOUNTING PLATE | |
| 2 | 58001480 | 1 | R30S WIRE HARNESS 5 | |
| 3 | | 2 | M6 X 1.0 X 16 HX-FHCS | |
| 4 | | 3 | M4 X 0.7 X 8 HX-SHCS | |



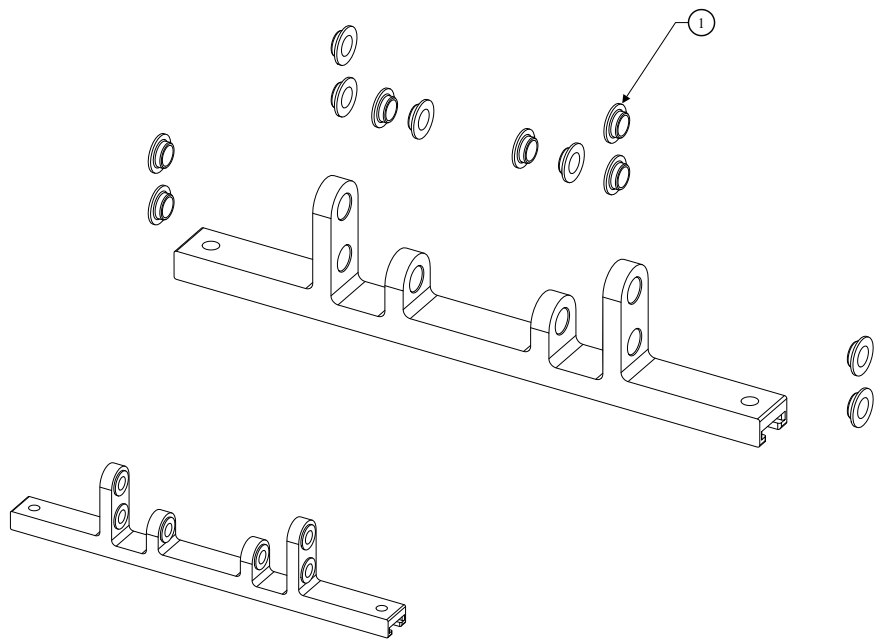
| Pos. | Artikel-Nr. | Menge | Variante | Notes |
|-------------|--------------------|--------------|-----------------------------|--------------|
| 1 | 58001022 | 1 | BRUSH DECK LIFT MOUNT PLATE | |
| 2 | 58001326 | 4 | M6 X 1.0 X 16 HX-FHCS | |



| Pos. | Artikel-Nr. | Menge | Variante | Notes |
|------|-------------|-------|-----------------------------------|-------|
| 1 | 58001292 | 4 | BRUSH DECK LIFT BAR W BUSHING KIT | |
| 2 | 58001137 | 2 | BRUSH DECK LINKAGE MOUNT | |
| 3 | 58001293 | 1 | BRUSH DECK MOUNT WITH BUSHING KIT | |
| 4 | 58001559 | 10 | SHOULDER BOLT L 10MM | |
| 5 | 58001245 | 1 | MICRO SWITCH | |
| 6 | 58001184 | 1 | M3 X 0.5 X 10 HX-SHCS | |



| Pos. | Artikel-Nr. | Menge | Variante | Notes |
|-------------|--------------------|--------------|--|--------------|
| 1 | 58001136 | 1 | BRUSH DECK ACTUATOR MOUNT | |
| 2 | 58001138 | 1 | BRUSH LIFT PEEK SLIDER | |
| 3 | 58001023 | 2 | BRUSH DECK LIFT TRIANGLE COUPLER | |
| 4 | 58001294 | 2 | BRUSH DECK LIFT TRIANGLE W BUSHING KIT | |
| 5 | 58001025 | 1 | BRUSH DECK SPRING COUPLER | |
| 6 | 58001141 | 2 | CLEVIS PIN SHAFT OD8MML30MM W R-RING KIT | |
| 7 | 58001381 | 1 | COMPRESSION SPRING | |
| 8 | 58001559 | 6 | SHOULDER BOLT L 10MM | |
| 9 | 58001382 | 2 | R3OS82 LINEAR ACTUATOR | |
| 10 | 58001382 | 1 | R3OS82 LINEAR ACTUATOR | |



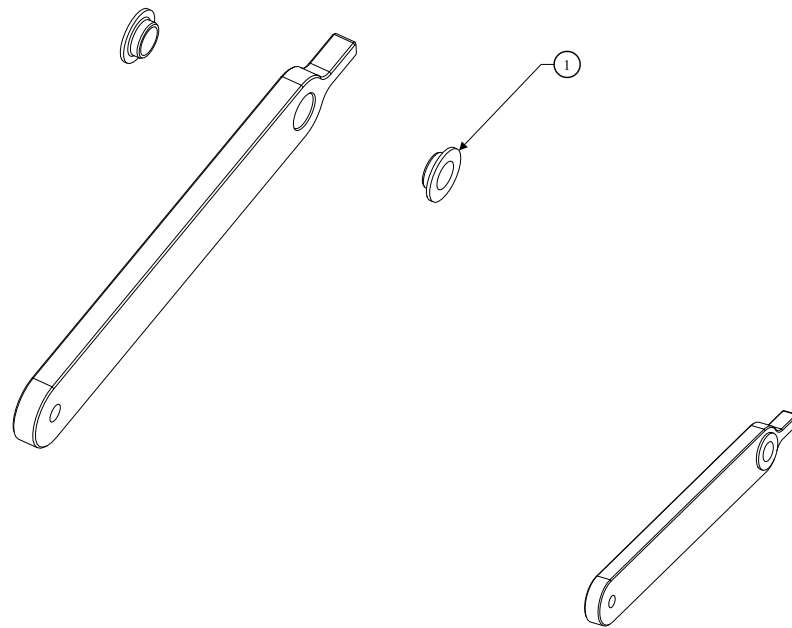
BRUSH DECK MOUNT WITH BUSHING SA

SC25

2024.09.19

2025.05.09

| Pos. | Artikel-Nr. | Menge | Variante | Notes |
|------|-------------|-------|---------------------------------------|-------|
| 1 | 58001484 | 12 | BUSHING ID8MM L4MM BUSHING ID8MM L4MM | |



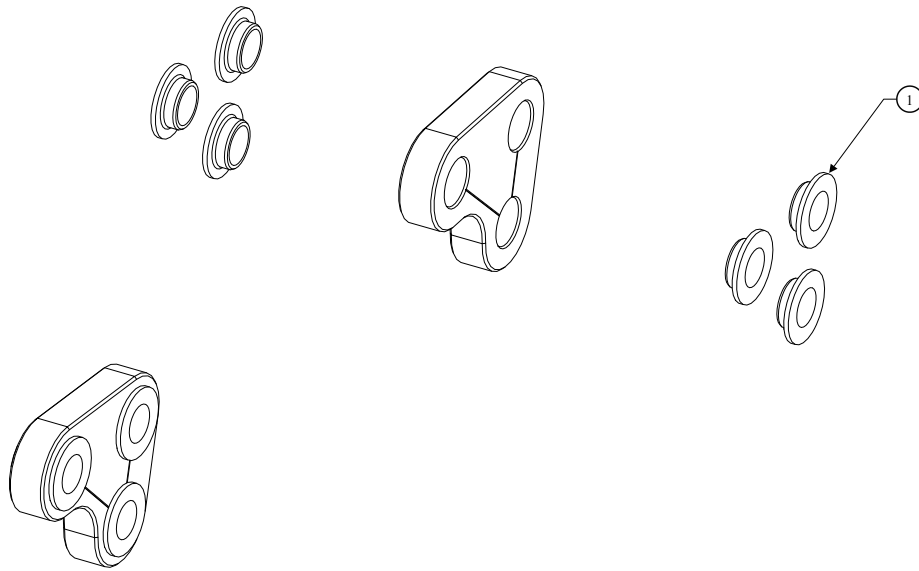
BRUSH DECK LIFT BAR WITH BUSHING SA

SC25

2024.09.19

2025.05.09

| Pos. | Artikel-Nr. | Menge | Variante | Notes |
|------|-------------|-------|---------------------------------------|-------|
| 1 | 58001484 | 2 | BUSHING ID8MM L4MM BUSHING ID8MM L4MM | |



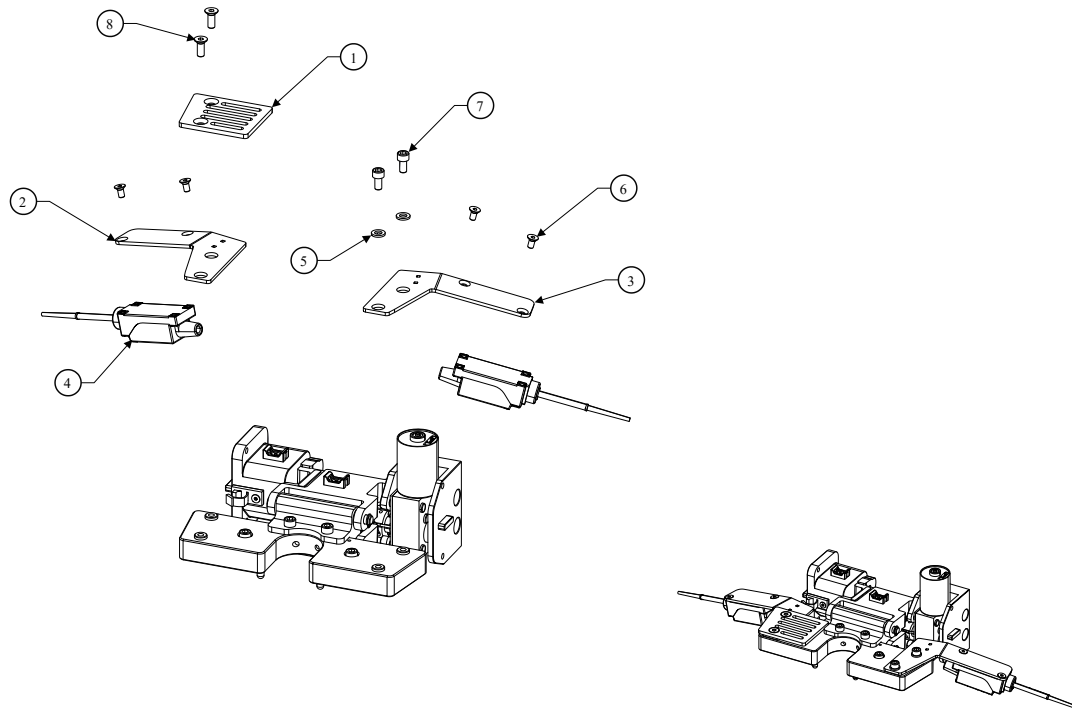
BRUSH DECK LIFT TRIANGLE WITH BUSHING SA

SC25

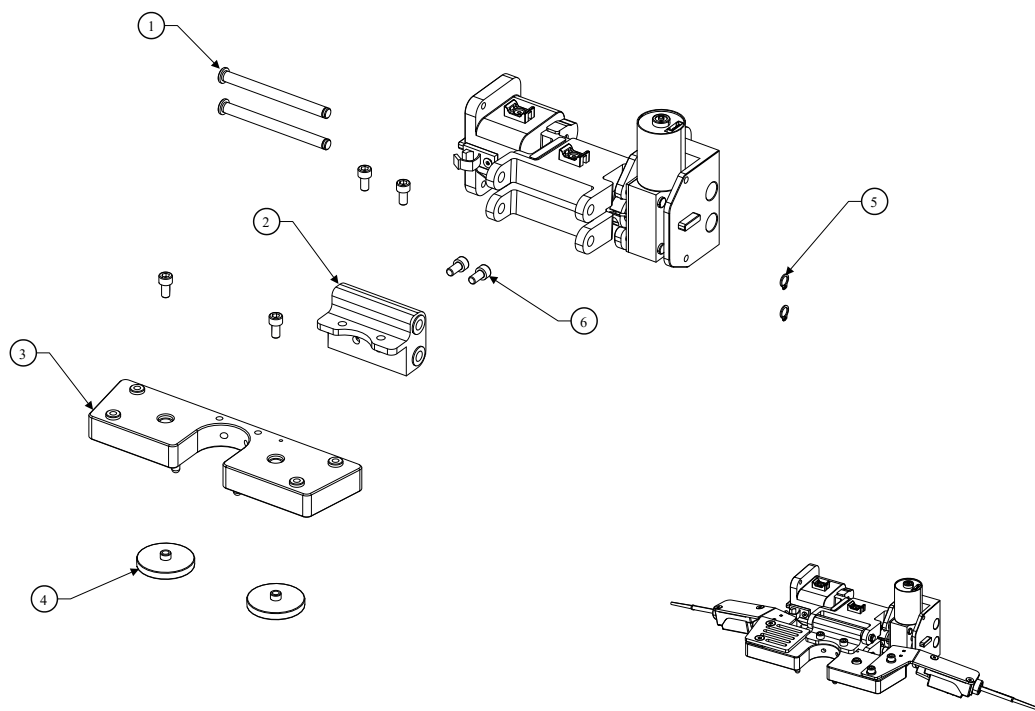
2024.09.19

2025.05.09

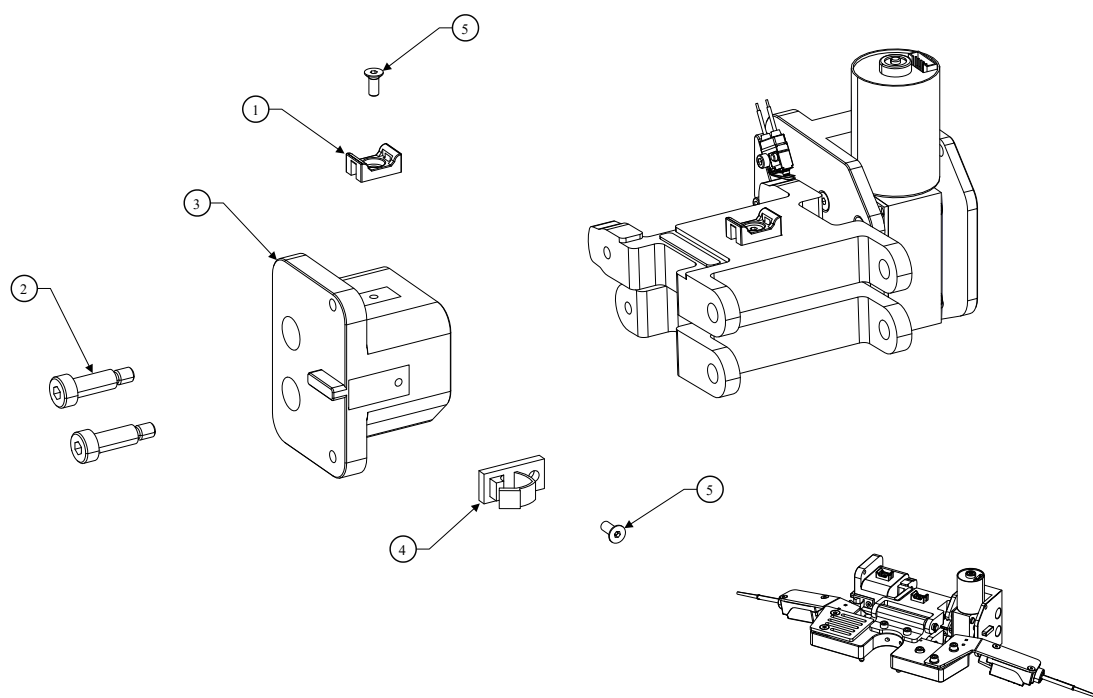
| Pos. | Artikel-Nr. | Menge | Variante | Notes |
|-------------|--------------------|--------------|---------------------------------------|--------------|
| 1 | 58001484 | 6 | BUSHING ID8MM L4MM BUSHING ID8MM L4MM | |



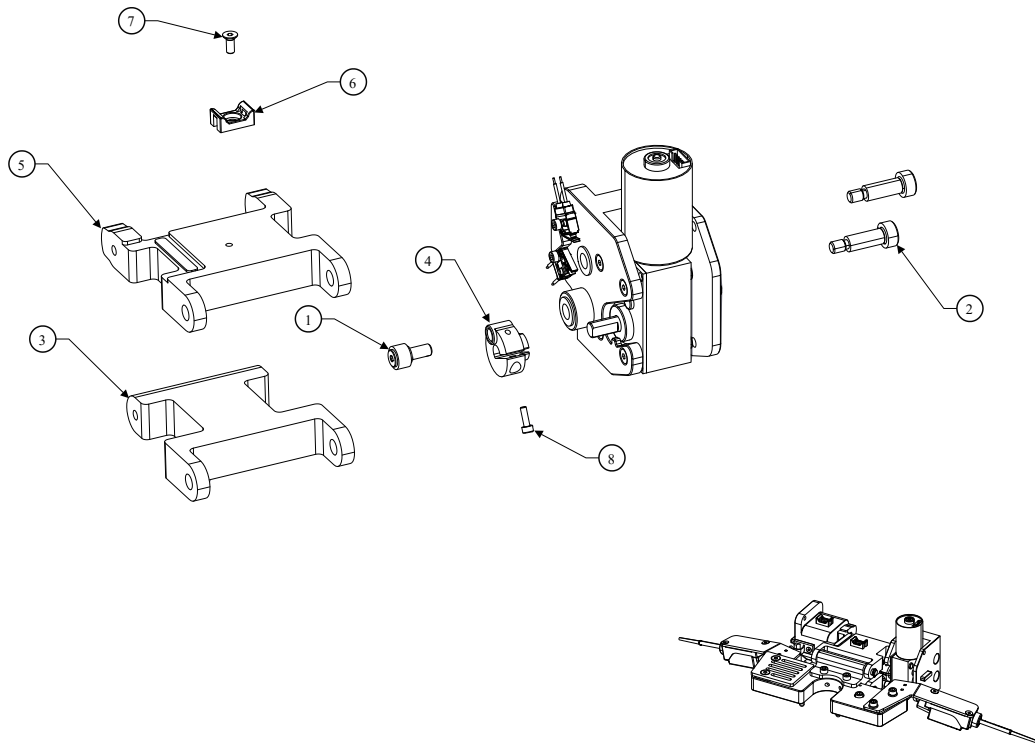
| Pos. | Artikel-Nr. | Menge | Variante | Notes |
|------|-------------|-------|-----------------------------|-------|
| 1 | 58001035 | 1 | FOOT PLATE | |
| 2 | 58001120 | 1 | SQUEEGEE SWITCH MOUNT LEFT | |
| 3 | 58001121 | 1 | SQUEEGEE SWITCH MOUNT RIGHT | |
| 4 | 58001219 | 2 | LIMIT SWITCH | |
| 5 | 58001286 | 2 | M6 FLAT WASHER | |
| 6 | 58001045 | 4 | M5 X 0.8 X 10 CSK | |
| 7 | 58001301 | 2 | M6 X 1.0 X 12 HX-SHCS | |
| 8 | 58001326 | 2 | M6 X 1.0 X 16 HX-FHCS | |



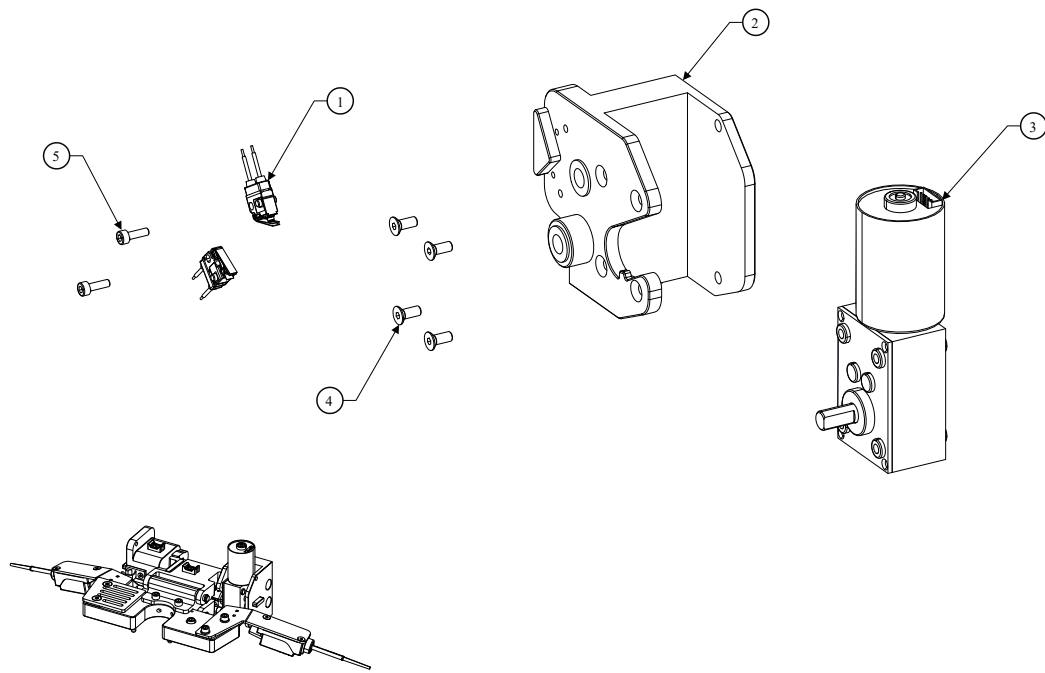
| Pos. | Artikel-Nr. | Menge | Variante | Notes |
|------|-------------|-------|-----------------------------------|-------|
| 1 | 58001030 | 2 | CLEVIS PIN, SHAFT OD 8MM, L 91 MM | |
| 2 | 58001295 | 1 | SQUEEGEE LIFT END LINK KIT | |
| 3 | 58001117 | 1 | SQUEEGEE LIFT MAGNET MOUNT | |
| 4 | 58001350 | 2 | RUBBERIZED MAGNET | |
| 5 | 58001569 | 2 | SIZE 8 EXTERNAL RETAINING RING | |
| 6 | 58001301 | 6 | M6 X 1.0 X 12 HX-SHCS | |



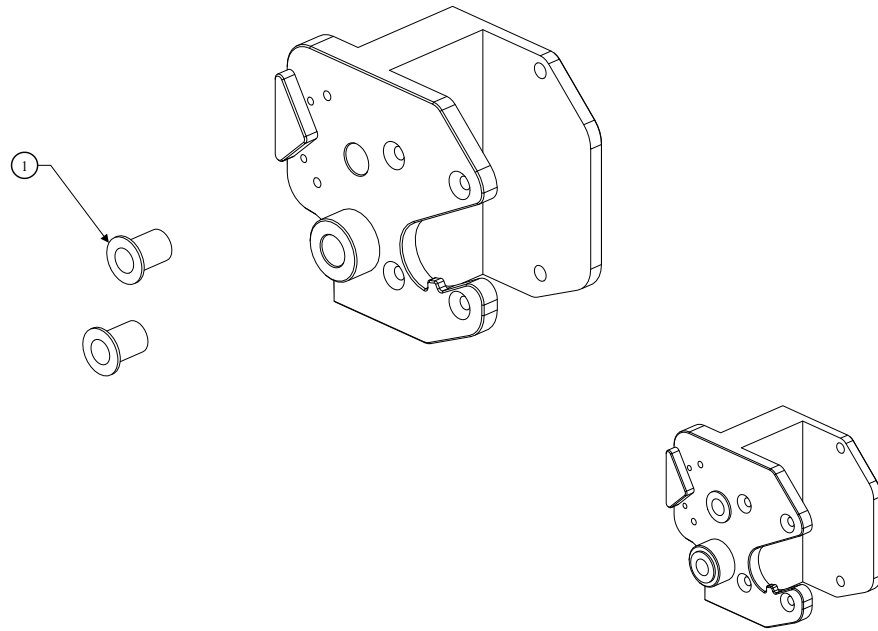
| Pos. | Artikel-Nr. | Menge | Variante | Notes |
|-------------|--------------------|--------------|--|--------------|
| 1 | 58001383 | 1 | CABLE TIE MOUNT 4.5MM | |
| 2 | 58001560 | 2 | SHOULDER BOLT L 20MM | |
| 3 | 58001296 | 1 | SQUEEGEE LIFT LINK MOUNT W BUSHING KIT | |
| 4 | 58001110 | 1 | SCREW DOWN SELF ADHESIVE HOLDER | |
| 5 | 58001194 | 2 | M4 X 0.7 X 10 HX-FHCS | |



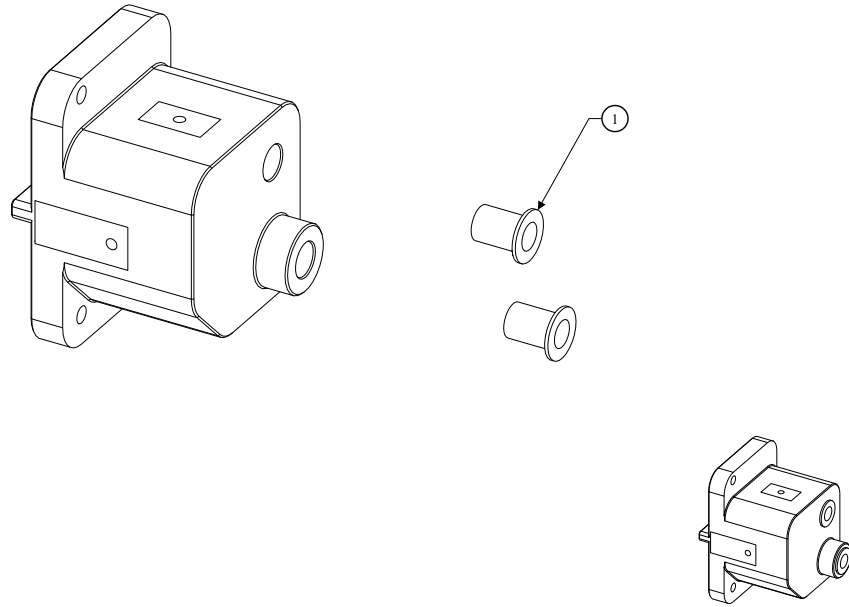
| Pos. | Artikel-Nr. | Menge | Variante | Notes |
|------|-------------|-------|---------------------------|-------|
| 1 | 58001027 | 1 | CAM FOLLOWER, OD 12MM | |
| 2 | 58001560 | 2 | SHOULDER BOLT L 20MM | |
| 3 | 58001115 | 1 | SQUEEGEE LIFT BOTTOM LINK | |
| 4 | 58001116 | 1 | SQUEEGEE LIFT CAM | |
| 5 | 58001118 | 1 | SQUEEGEE LIFT TOP LINK | |
| 6 | 58001383 | 1 | CABLE TIE MOUNT 4.5MM | |
| 7 | 58001194 | 1 | M4 X 0.7 X 10 HX-FHCS | |
| 8 | 58001184 | 1 | M3 X 0.5 X 10 HX-SHCS | |



| Pos. | Artikel-Nr. | Menge | Variante | Notes |
|------|-------------|-------|---|-------|
| 1 | 58001245 | 2 | MICRO SWITCH | |
| 2 | 58001297 | 1 | SQUEEGEE LIFT MOTOR MOUNT W BUSHING KIT | |
| 3 | 58001476 | 1 | SQUEEGEE LIFT MOTOR | |
| 4 | 58001194 | 4 | M4 X 0.7 X 10 HX-FHCS | |
| 5 | 58001184 | 2 | M3 X 0.5 X 10 HX-SHCS | |



| Pos. | Artikel-Nr. | Menge | Variante | Notes |
|------|-------------|-------|--|-------|
| 1 | 58001471 | 2 | BEARING SLEEVE W FLAN OD10MM ID8MM L15MM BEARING SLEEVE W FLAN OD10MM ID8MM L15MM | |



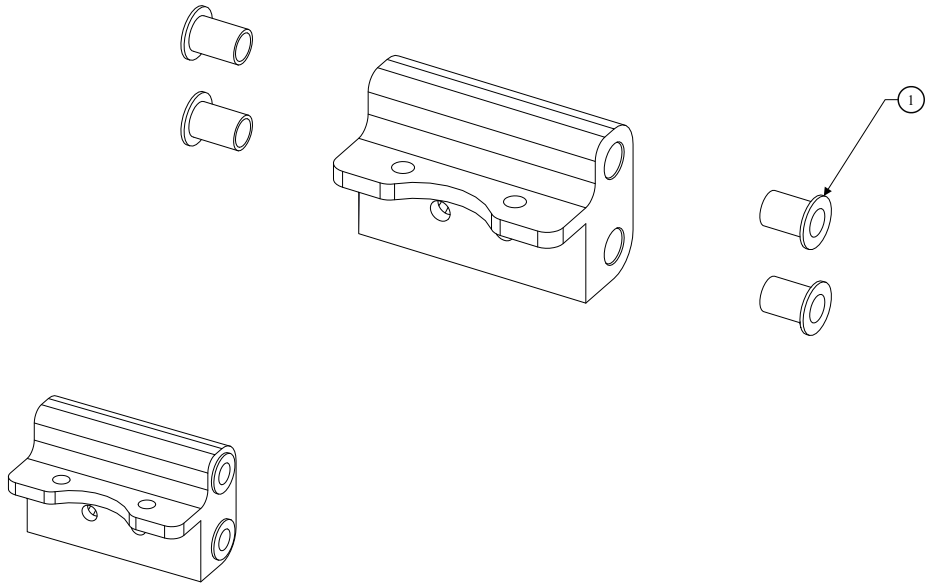
SQUEEGEE LIFT LINKAGE MOUNT WITH BUSHING SA

SC25

2024.09.19

2025.05.09

| Pos. | Artikel-Nr. | Menge | Variante | Notes |
|------|-------------|-------|--|-------|
| 1 | 58001471 | 2 | BEARING SLEEVE W FLAN OD10MM ID8MM L15MM BEARING SLEEVE W FLAN OD10MM ID8MM L15MM | |



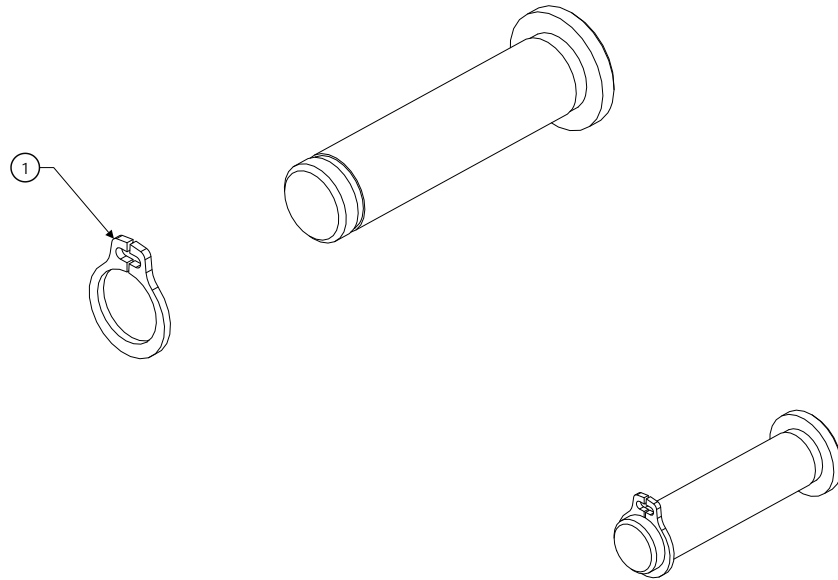
SQUEEGEE LIFT END LINK WITH BUSHING SA

SC25

2024.09.19

2025.05.09

| Pos. | Artikel-Nr. | Menge | Variante | Notes |
|------|-------------|-------|--|-------|
| 1 | 58001471 | 4 | BEARING SLEEVE W FLAN OD10MM ID8MM L15MM BEARING SLEEVE W FLAN OD10MM ID8MM L15MM | |

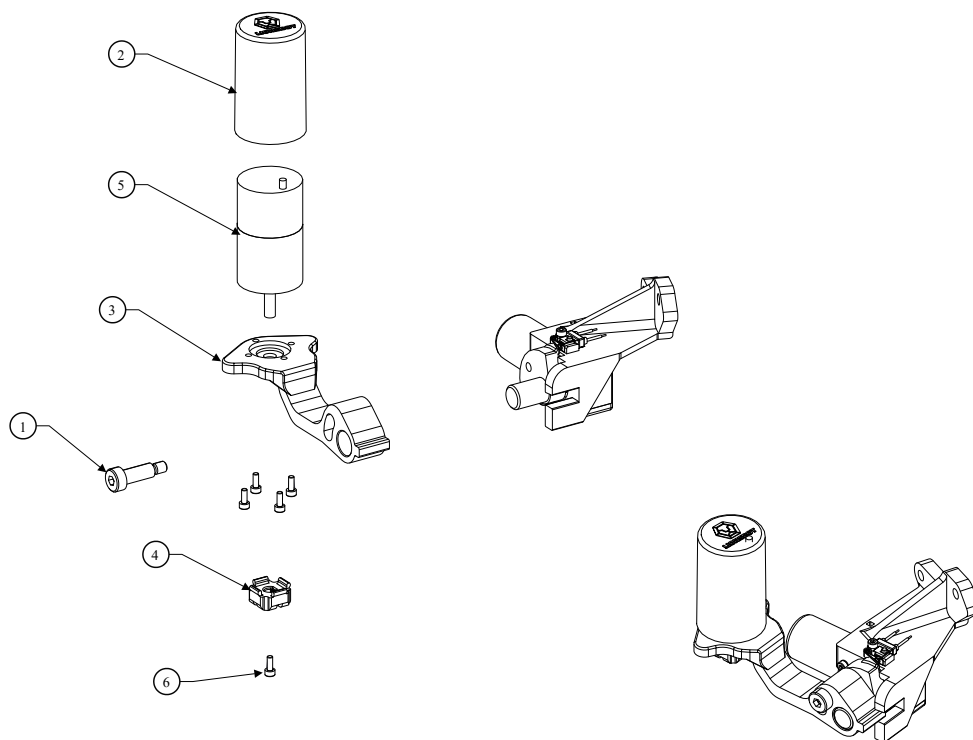


CLEVIS PIN, SHAFT OD 8mm, L 30mm WITH RETAINING RING

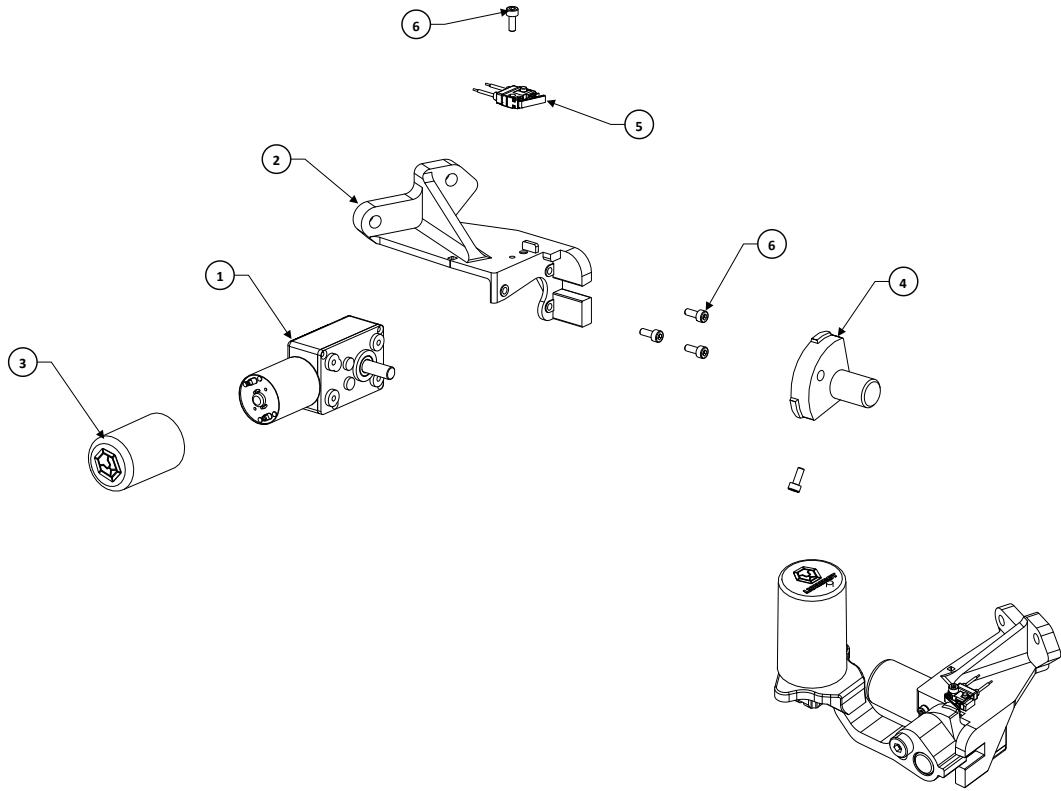
SC25

2025.07.22
2025.08.04

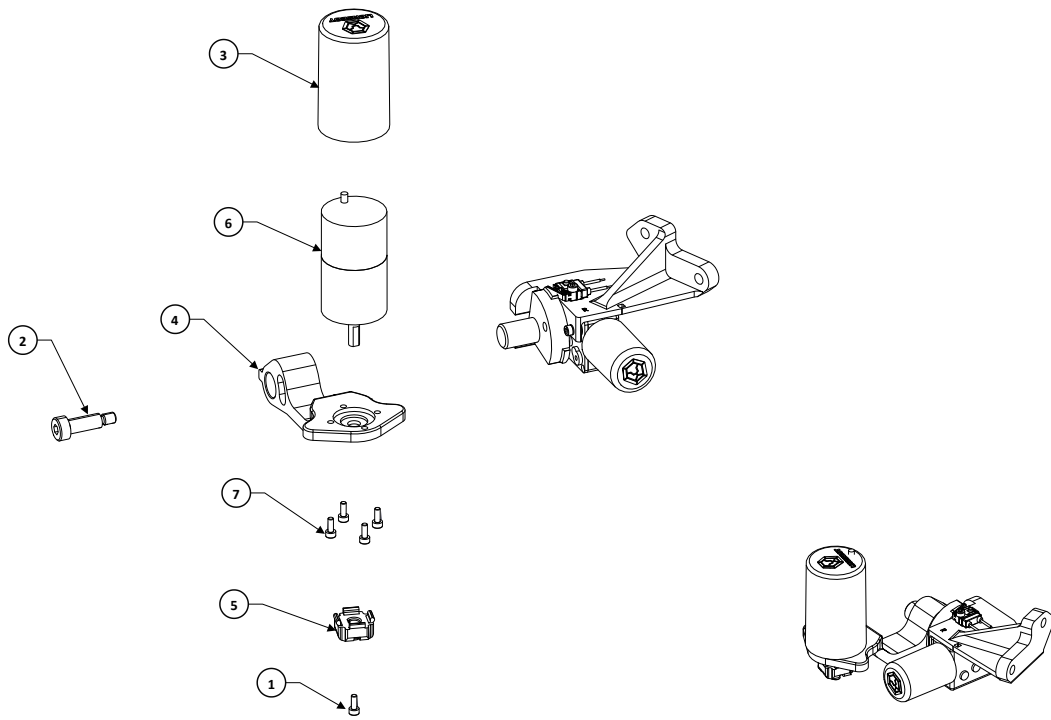
| Pos. | Artikel-Nr. | Menge | Variante | Notes |
|------|-------------|-------|--------------------------------|-------|
| 1 | 58001569 | 1 | SIZE 8 EXTERNAL RETAINING RING | |



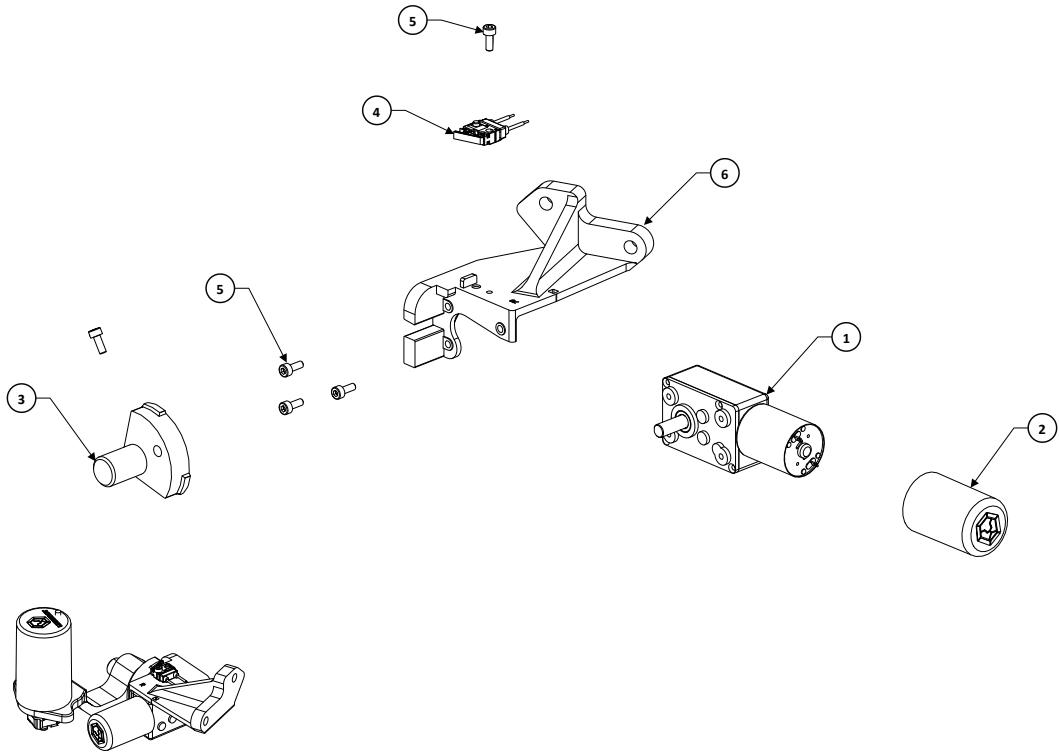
| Pos. | Artikel-Nr. | Menge | Variante | Notes |
|------|-------------|-------|--------------------------------|-------|
| 1 | 58001560 | 1 | SHOULDER BOLT L 20MM | |
| 2 | 58001566 | 1 | SIDE BRUSH MOTOR SLEEVE | |
| 3 | 58001565 | 1 | SIDE BRUSH MOTOR MOUNT | |
| 4 | 58001561 | 1 | SIDE BRUSH ADAPTER | |
| 5 | 58001235 | 1 | SIDE BRUSH MOTOR 24V REGULAR C | |
| 6 | 58001190 | 5 | M3 X 0.5 X 8 HX-SHCS | |



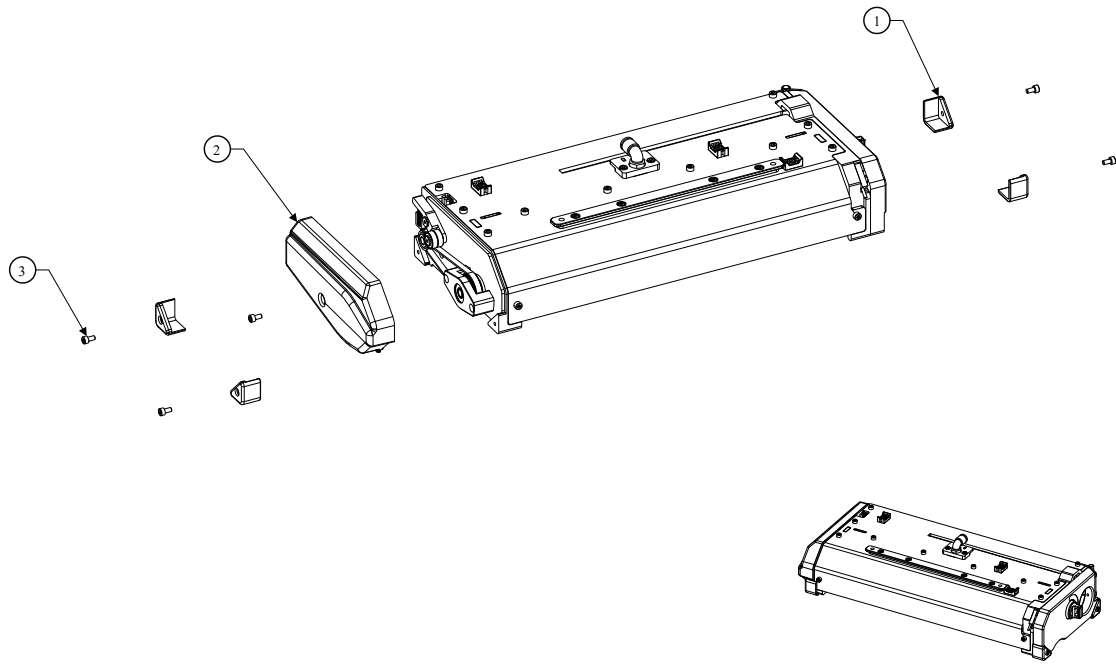
| Pos. | Artikel-Nr. | Menge | Variante | Notes |
|------|-------------|-------|------------------------------|-------|
| 1 | 58001477 | 1 | SIDE BRUSH LIFT MOTOR | |
| 2 | 58001564 | 1 | SIDE BRUSH LIFT MOUNT LEFT | |
| 3 | 58001563 | 1 | SIDE BRUSH LIFT MOTOR SLEEVE | |
| 4 | 58001567 | 1 | SIDE BRUSH SHAFT COUPLER | |
| 5 | 58001245 | 1 | MICRO SWITCH | |
| 6 | 58001190 | 5 | M3 X 0.5 X 8 HX-SHCS | |



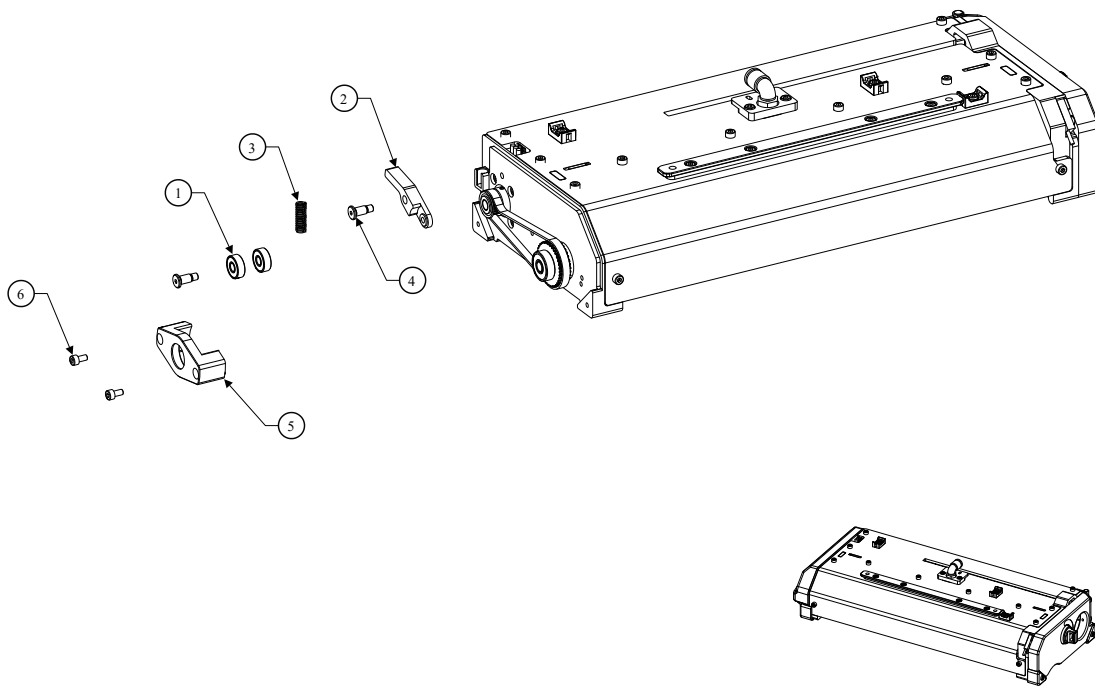
| Pos. | Artikel-Nr. | Menge | Variante | Notes |
|------|-------------|-------|--------------------------------------|-------|
| 1 | 58001191 | 1 | M3 X 0.5 X 8 HX-SHCS, REVERSE THREAD | |
| 2 | 58001560 | 1 | SHOULDER BOLT L 20MM | |
| 3 | 58001566 | 1 | SIDE BRUSH MOTOR SLEEVE | |
| 4 | 58001565 | 1 | SIDE BRUSH MOTOR MOUNT | |
| 5 | 58001561 | 1 | SIDE BRUSH ADAPTER | |
| 6 | 58001236 | 1 | SIDE BRUSH MOTOR 24V REVERSE C | |
| 7 | 58001190 | 4 | M3 X 0.5 X 8 HX-SHCS | |



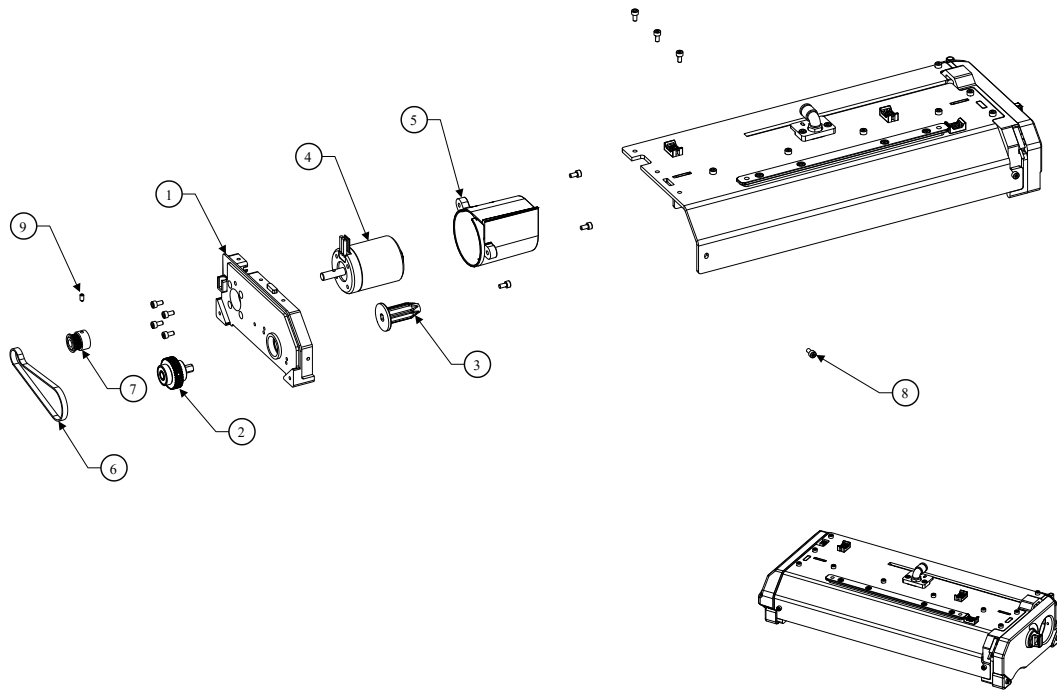
| Pos. | Artikel-Nr. | Menge | Variante | Notes |
|-------------|--------------------|--------------|------------------------------|--------------|
| 1 | 58001477 | 1 | SIDE BRUSH LIFT MOTOR | |
| 2 | 58001563 | 1 | SIDE BRUSH LIFT MOTOR SLEEVE | |
| 3 | 58001567 | 1 | SIDE BRUSH SHAFT COUPLER | |
| 4 | 58001245 | 1 | MICRO SWITCH | |
| 5 | 58001190 | 5 | M3 X 0.5 X 8 HX-SHCS | |
| 6 | 58001562 | 1 | SIDE BRUSH LIFT MOTOR RIGHT | |



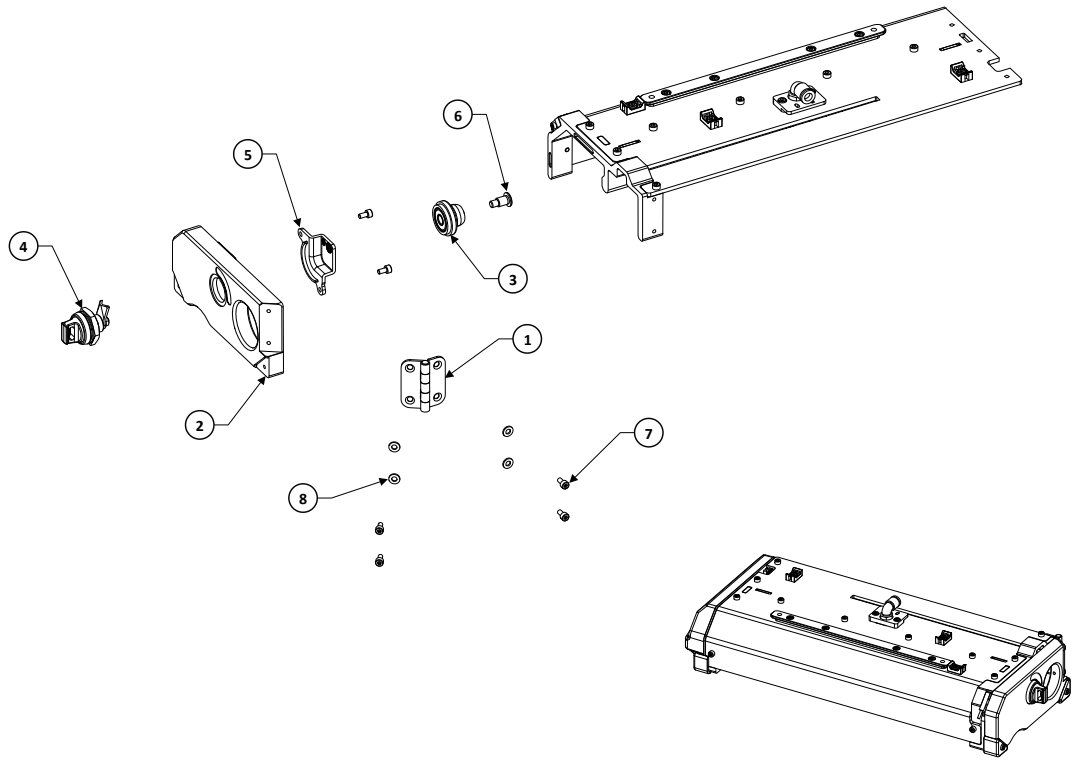
| Pos. | Artikel-Nr. | Menge | Variante | Notes |
|------|-------------|-------|--|-------|
| 1 | 58001478 | 4 | BRUSH DECK SCRATCH GUARD BRUSH DECK SCRATCH GUARD | |
| 2 | 58001054 | 1 | PULLEY COVER SC25 | |
| 3 | 58001275 | 5 | M4 X 0.7 X 8 HX-SHCS | |



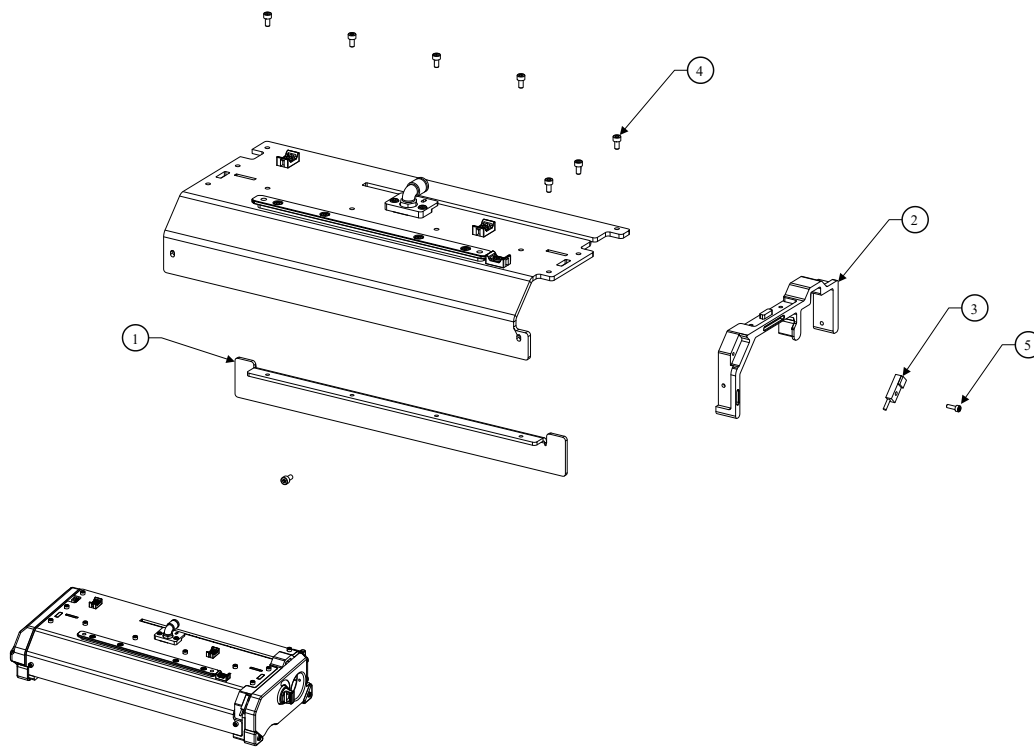
| Pos. | Artikel-Nr. | Menge | Variante | Notes |
|-------------|--------------------|--------------|---------------------------|--------------|
| 1 | 58001056 | 2 | PULLEY TENSIONING BEARING | |
| 2 | 58001017 | 1 | BELT TENSIONER LEVER | |
| 3 | 58001031 | 1 | COMPRESSION SPRING SC25 | |
| 4 | 58001428 | 2 | PIVOT PIN 96 | |
| 5 | 58001055 | 1 | PULLEY MOUNT SC25 | |
| 6 | 58001275 | 2 | M4 X 0.7 X 8 HX-SHCS | |



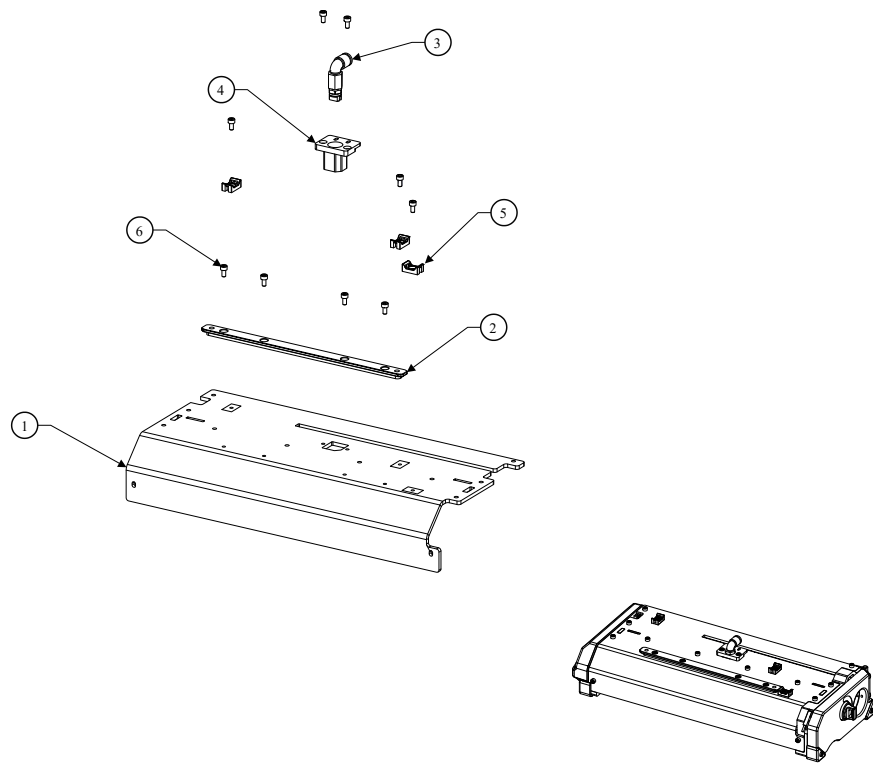
| Pos. | Artikel-Nr. | Menge | Variante | Notes |
|------|-------------|-------|------------------------------|-------|
| 1 | 58001019 | 1 | BRUSH DECK FRAME LEFT | |
| 2 | 58001473 | 1 | BRUSH DRIVING SHAFT ASSEMBLY | |
| 3 | 58001474 | 1 | BRUSH MATING INSERT | |
| 4 | 58001206 | 1 | BRUSH MOTOR 36V | |
| 5 | 58001483 | 1 | MOTOR COVER | |
| 6 | 58001209 | 1 | DRIVING PULLEY BELT | |
| 7 | 58001472 | 1 | TIMING PULLEY ID8MM | |
| 8 | 58001275 | 11 | M4 X 0.7 X 8 HX-SHCS | |
| 9 | 58001276 | 1 | M4 X 0.7 X 8 SET SCREW | |



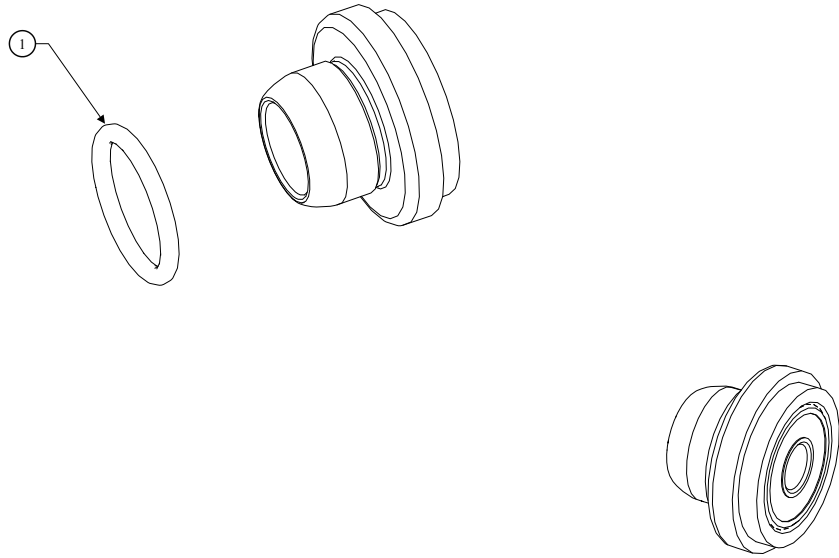
| Pos. | Artikel-Nr. | Menge | Variante | Notes |
|------|-------------|-------|-----------------------------|-------|
| 1 | 58001037 | 1 | HINGE | |
| 2 | 58001298 | 1 | BRUSH DOOR WITH STICKER KIT | |
| 3 | 58001299 | 1 | BRUSH IDLER KIT | |
| 4 | 58001143 | 1 | CORNER CATCH CLIP | |
| 5 | 58001044 | 1 | LATCH GUARD | |
| 6 | 58001412 | 1 | PIVOT PIN 95 | |
| 7 | 58001275 | 6 | M4 X 0.7 X 8 HX-SHCS | |
| 8 | 58001192 | 4 | M4 FLAT WASHER | |



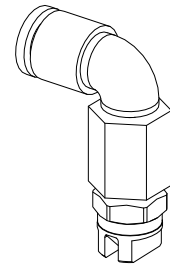
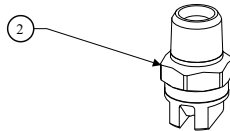
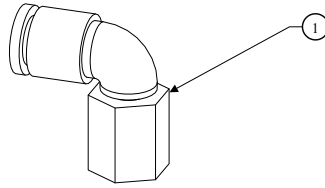
| Pos. | Artikel-Nr. | Menge | Variante | Notes |
|------|-------------|-------|------------------------|-------|
| 1 | 58001018 | 1 | BRUSH COMB | |
| 2 | 58001021 | 1 | BRUSH DECK FRAME RIGHT | |
| 3 | 58001043 | 1 | INDUCTIVE SENSOR | |
| 4 | 58001275 | 8 | M4 X 0.7 X 8 HX-SHCS | |
| 5 | 58001184 | 1 | M3 X 0.5 X 10 HX-SHCS | |



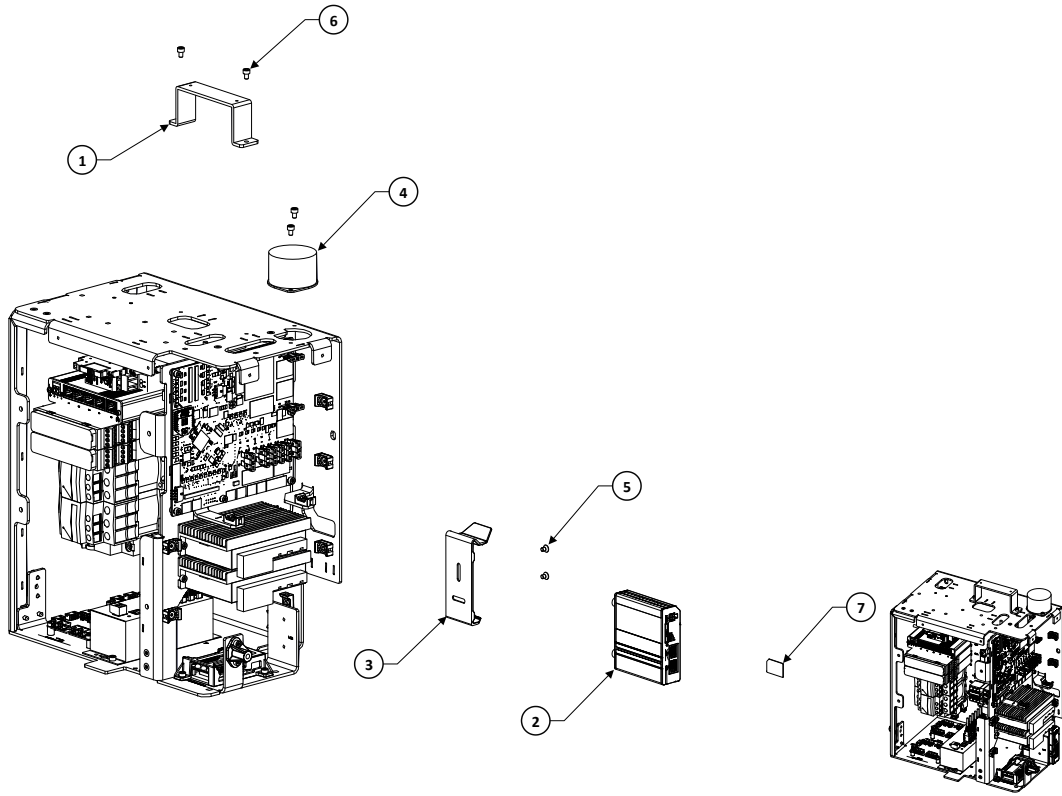
| Pos. | Artikel-Nr. | Menge | Variante | Notes |
|------|-------------|-------|-------------------------|-------|
| 1 | 58001020 | 1 | BRUSH DECK FRAME MIDDLE | |
| 2 | 58001024 | 1 | BRUSH DECK SLIDE | |
| 3 | 58001300 | 1 | ASSEMBLED NOZZLE KIT | |
| 4 | 58001052 | 1 | NOZZLE MOUNT | |
| 5 | 58001383 | 3 | CABLE TIE MOUNT 4.5MM | |
| 6 | 58001275 | 9 | M4 X 0.7 X 8 HX-SHCS | |



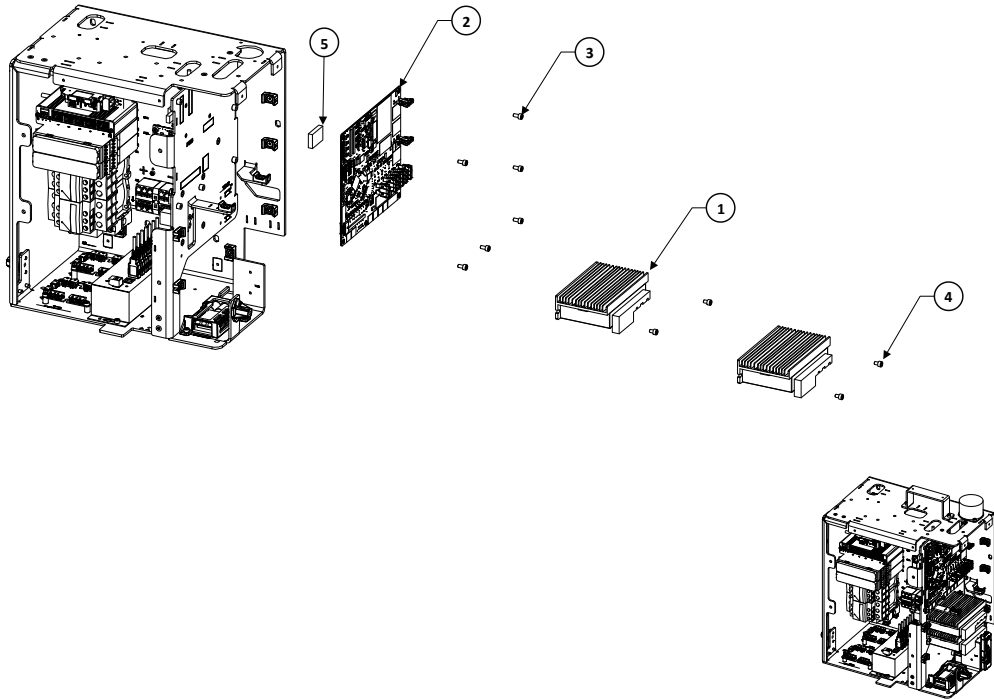
| Pos. | Artikel-Nr. | Menge | Variante | Notes |
|------|-------------|-------|-----------------------------------|-------|
| 1 | 58001053 | 1 | O-RING, ID 19MM, THICKNESS 2.4 MM | |



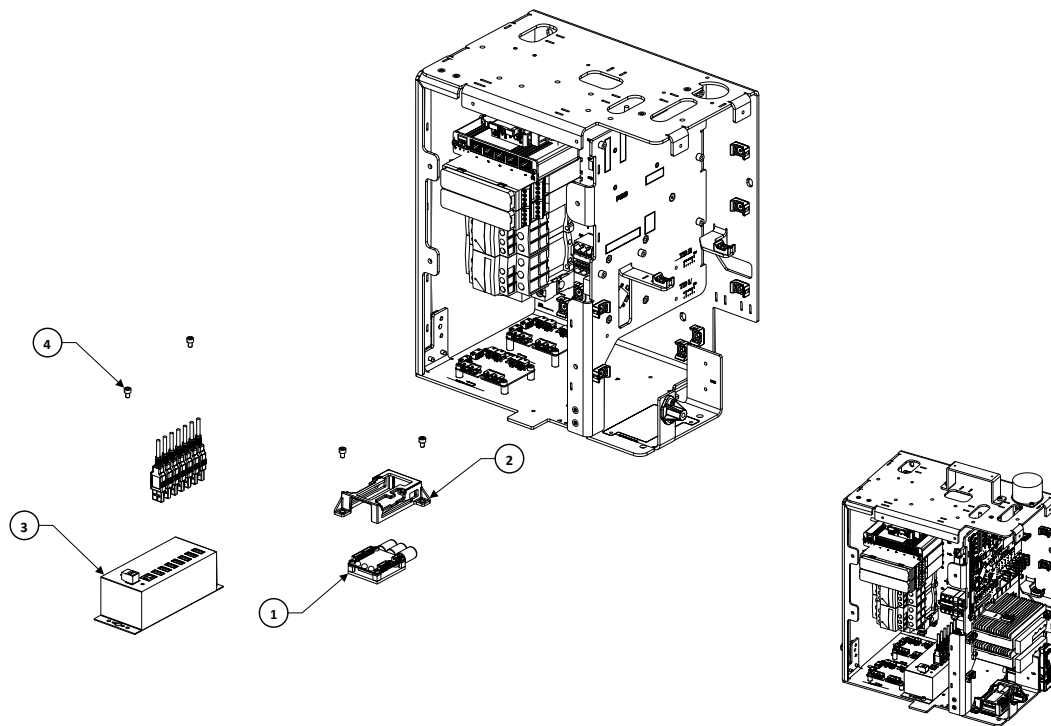
| Pos. | Artikel-Nr. | Menge | Variante | Notes |
|------|-------------|-------|----------------------------|-------|
| 1 | 58001016 | 1 | 1/8" NOZZLE SWIVEL FITTING | |
| 2 | 58001475 | 1 | SPRAY NOZZLESPRAY NOZZLE | |



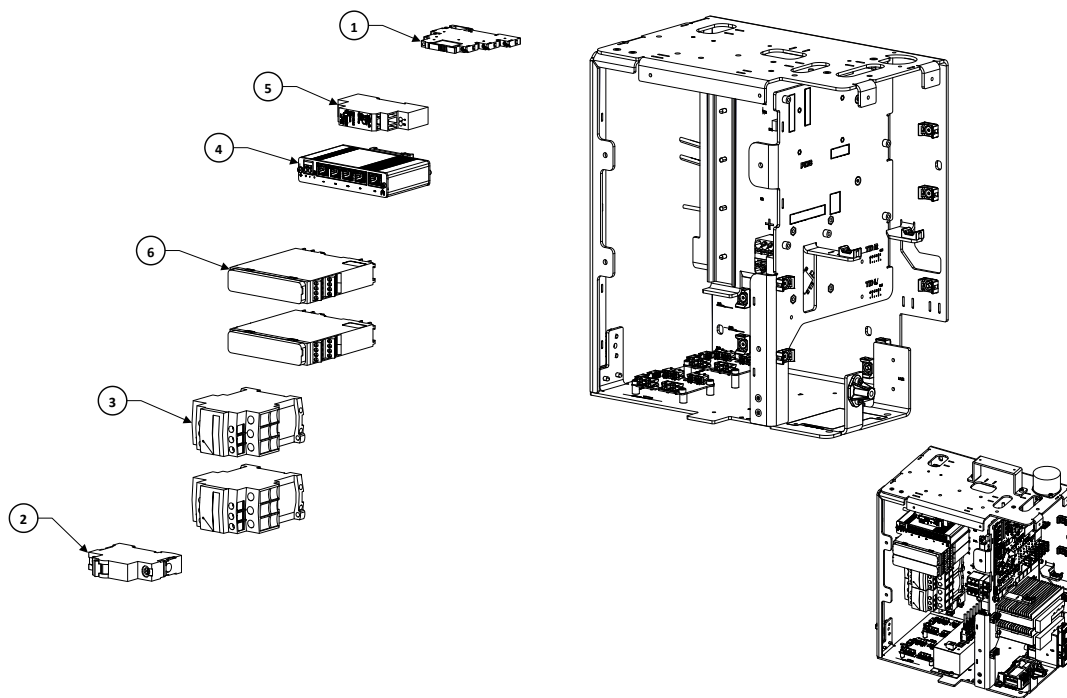
| Pos. | Artikel-Nr. | Menge | Variante | Notes |
|------|-------------|-------|----------------------|-------|
| 1 | 58001180 | 1 | LIDAR DRIVER PLATE | |
| 2 | 58001229 | 1 | ROUTER | |
| 3 | 58001547 | 1 | ROUTER CLIP | |
| 4 | 58001571 | 1 | SPEAKER, 8 OHM | |
| 5 | 58001268 | 2 | M4 X 0.7 X 6 HX-FHCS | |
| 6 | 58001274 | 4 | M4 X 0.7 X 6 HX-SHCS | |
| 7 | 58001568 | 1 | SIM CARD | |



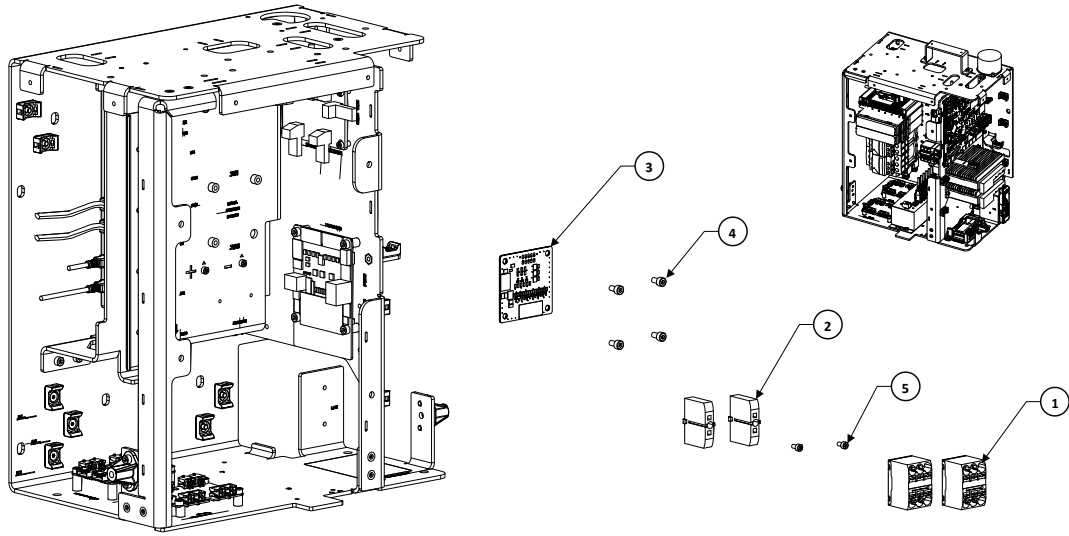
| Pos. | Artikel-Nr. | Menge | Variante | Notes |
|-------------|--------------------|--------------|-----------------------------------|--------------|
| 1 | 58001126 | 2 | TRACTION MOTOR DRIVER, CONFIGURED | |
| 2 | 58001202 | 1 | CONTROL BOARD ASSEMBLY SC25 | |
| 3 | 58001275 | 6 | M4 X 0.7 X 8 HX-SHCS | |
| 4 | 58001274 | 4 | M4 X 0.7 X 6 HX-SHCS | |
| 5 | 58001573 | 1 | THERMAL PAD | |



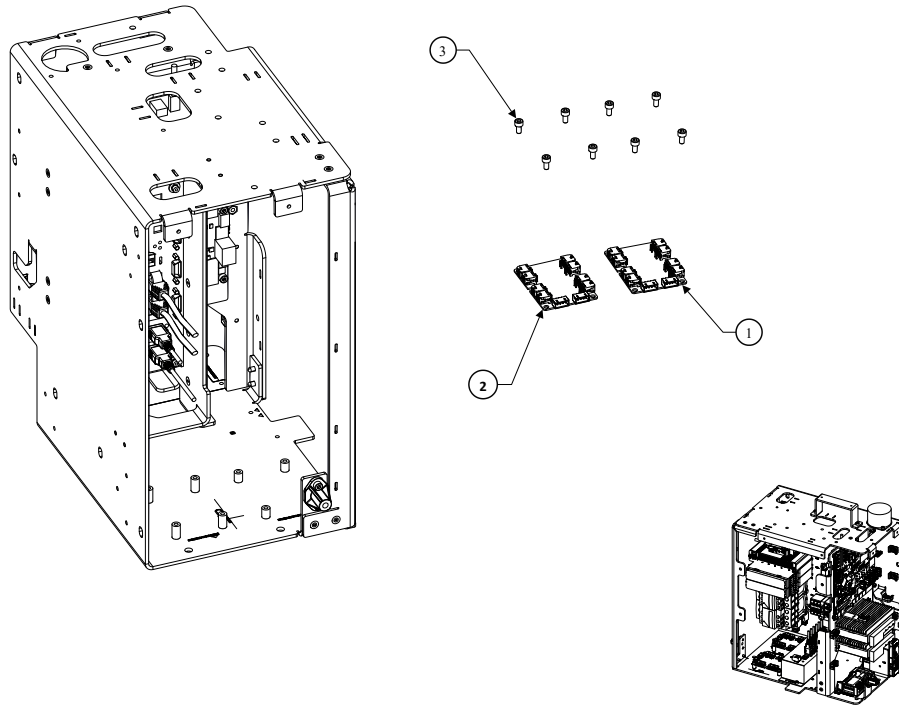
| Pos. | Artikel-Nr. | Menge | Variante | Notes |
|------|-------------|-------|--------------------------|-------|
| 1 | 58001205 | 1 | BRUSH MOTOR DRIVER | |
| 2 | 58001139 | 1 | BRUSH MOTOR DRIVER MOUNT | |
| 3 | 58001384 | 1 | USB HUB 3.0 7 PORT | |
| 4 | 58001274 | 4 | M4 X 0.7 X 6 HX-SHCS | |



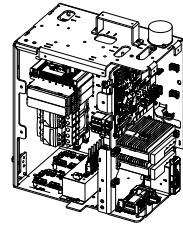
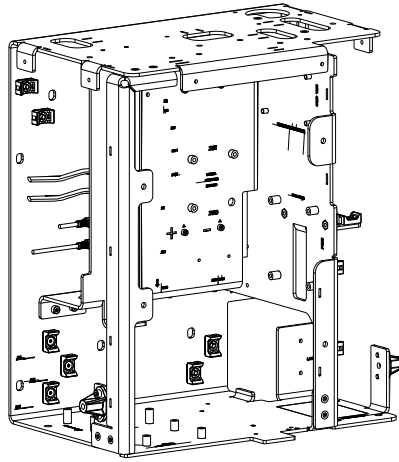
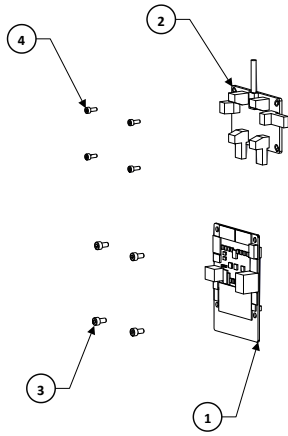
| Pos. | Artikel-Nr. | Menge | Variante | Notes |
|------|-------------|-------|---------------------------|-------|
| 1 | 58001385 | 1 | RELAY 24V GENERAL PURPOSE | |
| 2 | 58001386 | 1 | CIRCUIT BREAKER 20A | |
| 3 | 58001230 | 2 | CONTACTOR 24 VDC | |
| 4 | 58001387 | 1 | NETWORK SWITCH 5 PORTS | |
| 5 | 58001388 | 1 | VOLTAGE REGULATOR 12V 15W | |
| 6 | 58001231 | 2 | RELAY | |



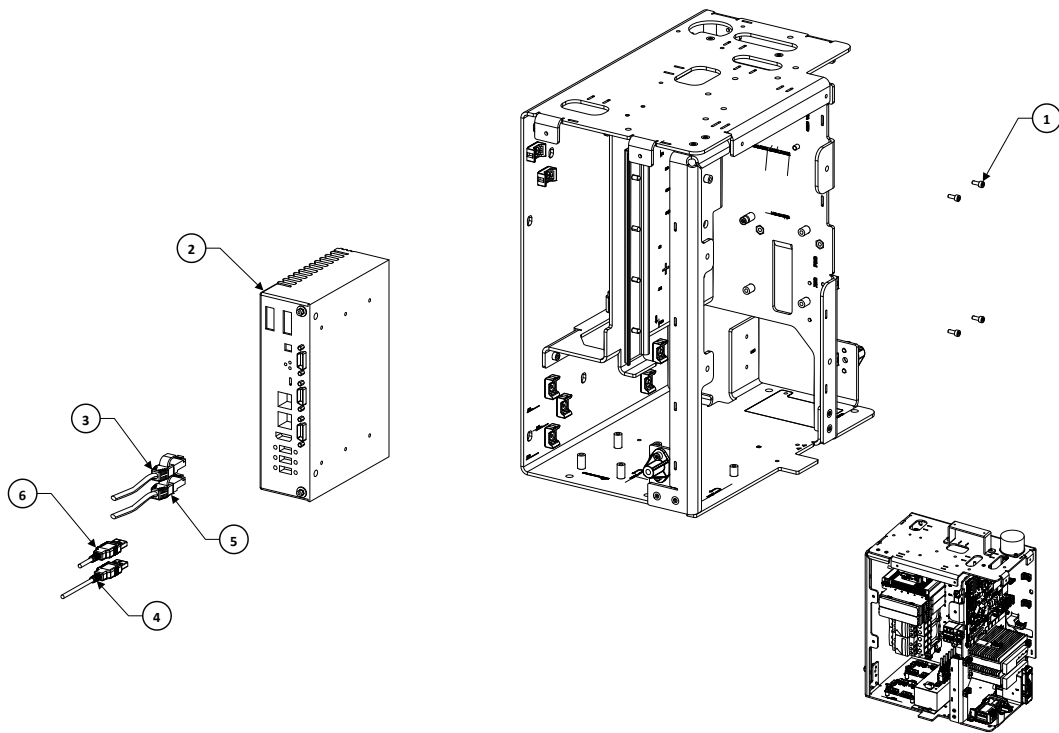
| Pos. | Artikel-Nr. | Menge | Variante | Notes |
|------|-------------|-------|----------------------|-------|
| 1 | 58001389 | 2 | TERMINAL BLOCK | |
| 2 | 58001390 | 2 | TERMINAL BLOCK MOUNT | |
| 3 | 58001234 | 1 | SAFETY BOARD | |
| 4 | 58001275 | 4 | M4 X 0.7 X 8 HX-SHCS | |
| 5 | 58001188 | 2 | M3 X 0.5 X 6 HX-SHCS | |



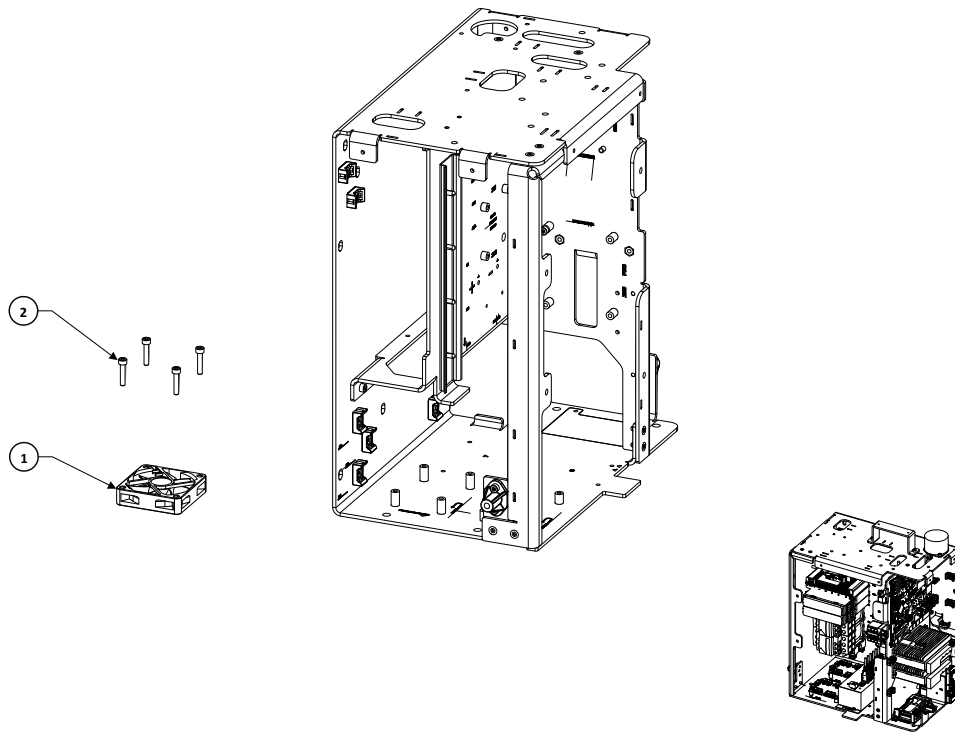
| Pos. | Artikel-Nr. | Menge | Variante | Notes |
|-------------|--------------------|--------------|-----------------------------|--------------|
| 1 | 58001391 | 1 | SONAR BOARD CONFIGURATION 2 | |
| 2 | 58001392 | 1 | SONAR BOARD CONFIGURATION 1 | |
| 3 | 58001190 | 8 | M3 X 0.5 X 8 HX-SHCS | |



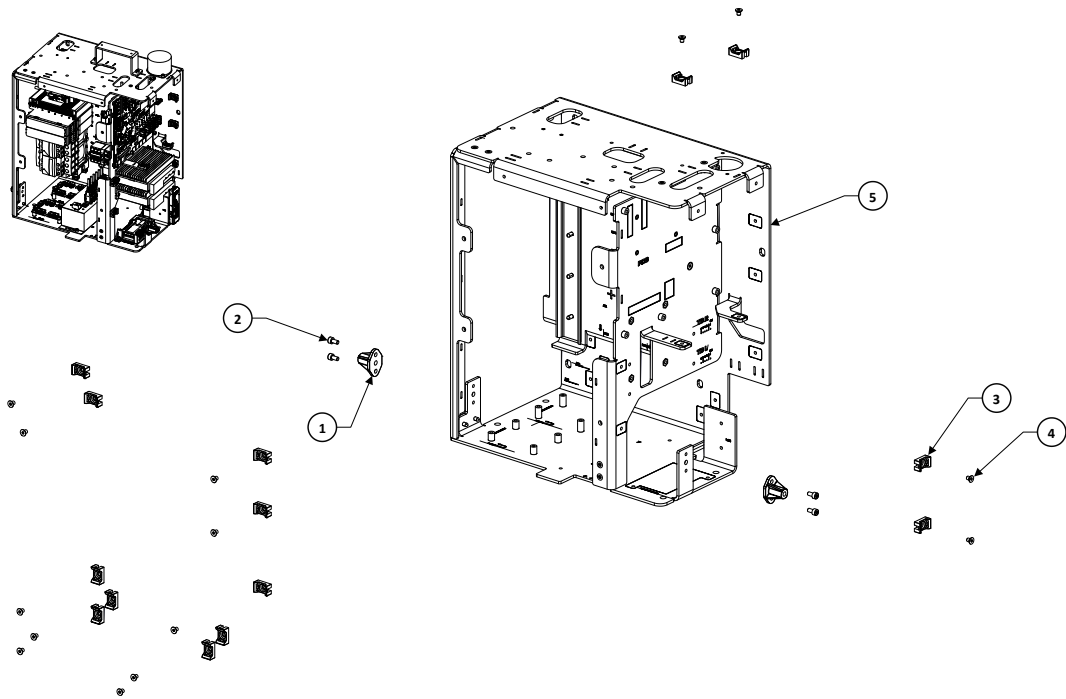
| Pos. | Artikel-Nr. | Menge | Variante | Notes |
|------|-------------|-------|-------------------------------|-------|
| 1 | 58001216 | 1 | LED BOARD F | |
| 2 | 58001393 | 1 | SPEAKER AMPLIFIER BOARD 8 OHM | |
| 3 | 58001275 | 4 | M4 X 0.7 X 8 HX-SHCS | |
| 4 | 58001190 | 4 | M3 X 0.5 X 8 HX-SHCS | |



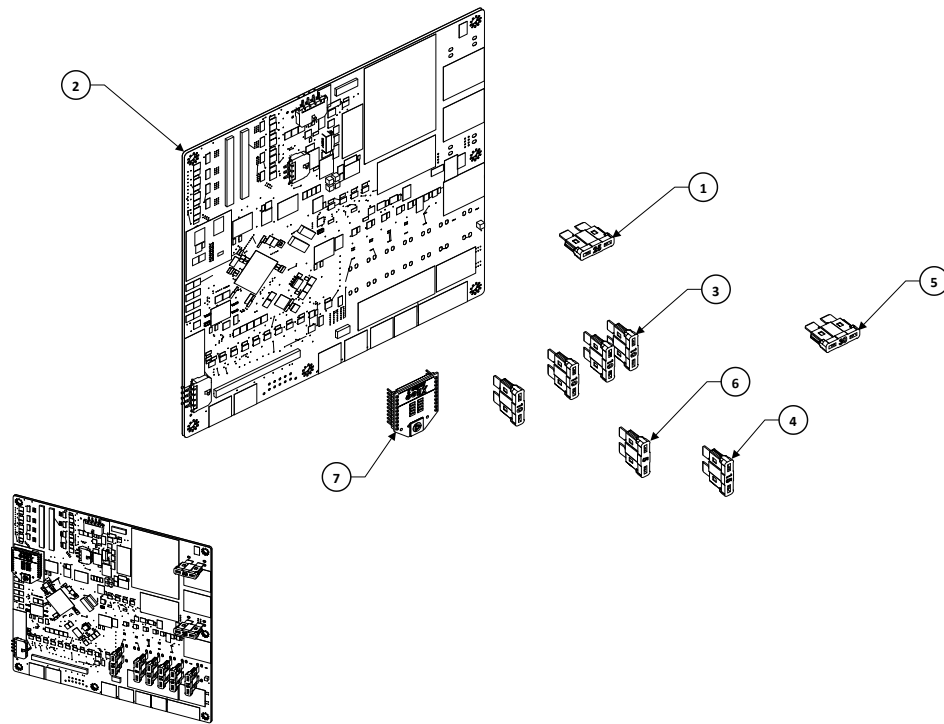
| Pos. | Artikel-Nr. | Menge | Variante | Notes |
|------|-------------|-------|-------------------------------|-------|
| 1 | 58001190 | 4 | M3 X 0.5 X 8 HX-SHCS | |
| 2 | 58001394 | 1 | IPC COFIGURED SC25 | |
| 3 | 58001395 | 1 | SC25 NETWORK SWITCH LAN CABLE | |
| 4 | 58001396 | 1 | R3OS60 TRACTION DRIVER | |
| 5 | 58001397 | 1 | SC25 ROUTER LAN CABLE | |
| 6 | 58001398 | 1 | USB A 3.0 TO USB B DATA CABLE | |



| Pos. | Artikel-Nr. | Menge | Variante | Notes |
|-------------|--------------------|--------------|-----------------------|--------------|
| 1 | 58001399 | 1 | COOLING FAN | |
| 2 | 58001199 | 4 | M4 X 0.7 X 20 HX-SHCS | |



| Pos. | Artikel-Nr. | Menge | Variante | Notes |
|-------------|--------------------|--------------|------------------------------------|--------------|
| 1 | 58001156 | 2 | EBOX FACADE MOUNTEBOX FACADE MOUNT | |
| 2 | 58001275 | 4 | M4 X 0.7 X 8 HX-SHCS | |
| 3 | 58001383 | 14 | CABLE TIE MOUNT 4.5MM | |
| 4 | 58001268 | 14 | M4 X 0.7 X 6 HX-FHCS | |
| 5 | 58001301 | 1 | M6 X 1.0 X 12 HX-SHCS | |



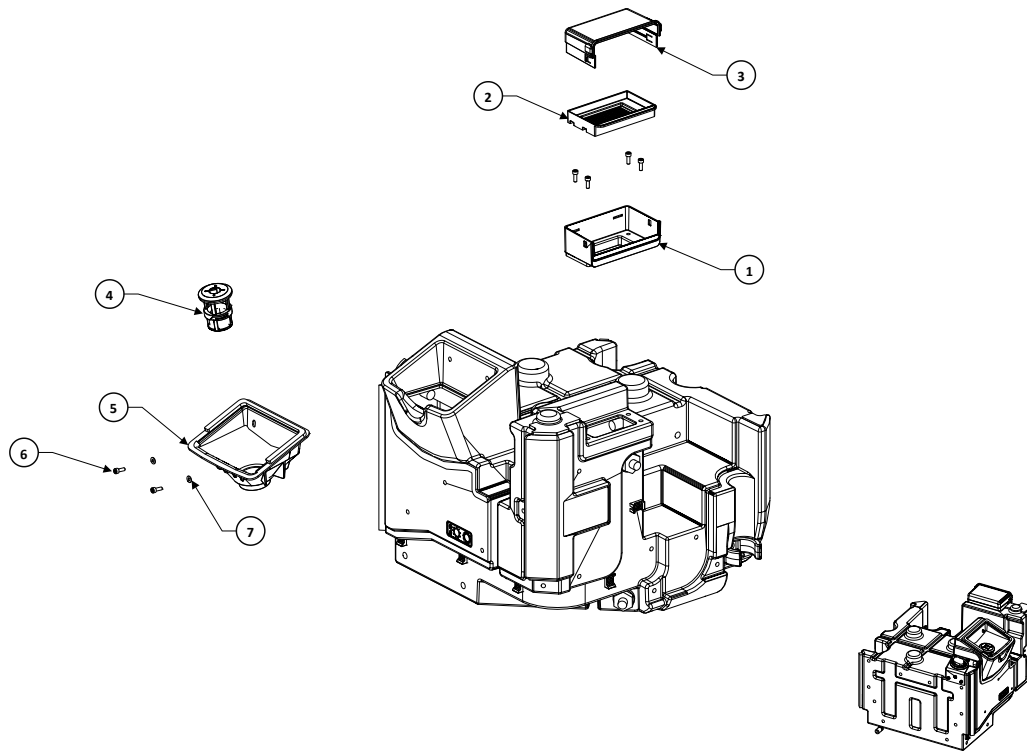
ASSEMBLED POWER DISTRIBUTION BOARD

SC25

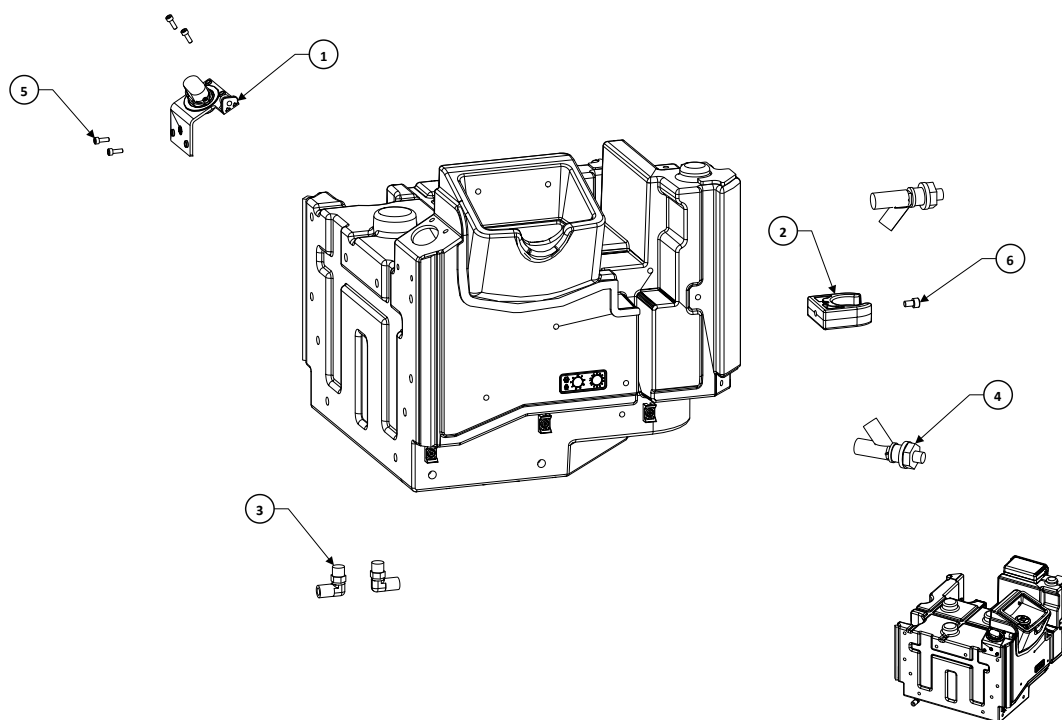
2024.09.19

2024.09.25

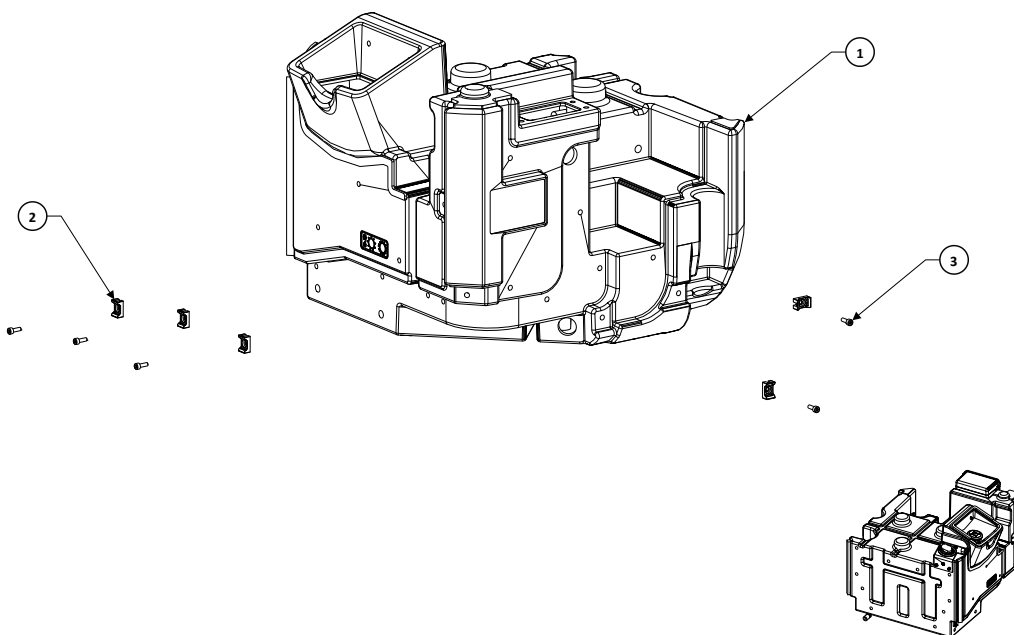
| Pos. | Artikel-Nr. | Menge | Variante | Notes |
|-------------|--------------------|--------------|-------------------------------------|--------------|
| 1 | 58001400 | 1 | FUSE 25A ATO 32VDC | |
| 2 | | 1 | POWER DISTRIBUTION BOARD W FIRMWARE | |
| 3 | 58001401 | 4 | FUSE 10A ATO 32VDC | |
| 4 | 58001402 | 1 | FUSE 15A ATO 32VDC | |
| 5 | 58001403 | 1 | FUSE 30A ATO 32VDC | |
| 6 | 58001404 | 1 | FUSE 5A ATO 32VDC | |
| 7 | 58001246 | 1 | ZIGBEE MODULE | |



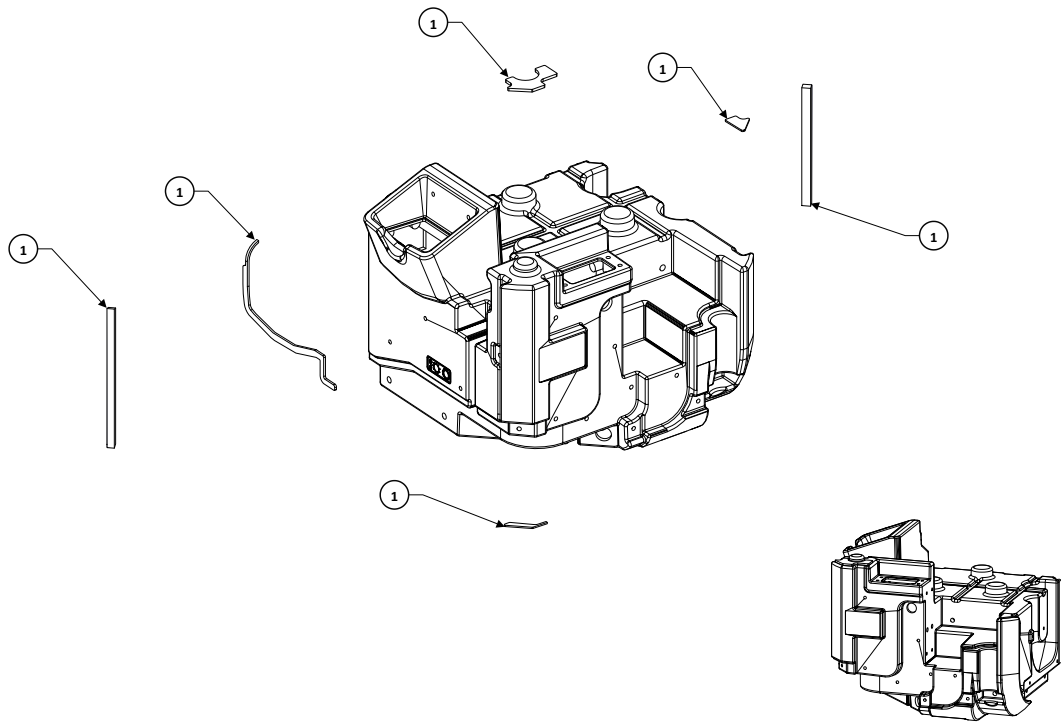
| Pos. | Artikel-Nr. | Menge | Variante | Notes |
|-------------|--------------------|--------------|-------------------------------|--------------|
| 1 | 58001302 | 1 | GASKETED REAR TOP UP TRAY KIT | |
| 2 | 58001405 | 1 | REAR TOP UP FILTER | |
| 3 | 58001406 | 1 | REAR TOP UP TRAY LID | |
| 4 | 58001303 | 1 | SIDE TOP UP TRAY FILTER KIT | |
| 5 | 58001304 | 1 | GASKETED SIDE TOP UP TRAY KIT | |
| 6 | 58001197 | 6 | M4 X 0.7 X 12 HX-SHCS | |
| 7 | 58001192 | 2 | M4 FLAT WASHER | |



| Pos. | Artikel-Nr. | Menge | Variante | Notes |
|------|-------------|-------|-------------------------------|-------|
| 1 | 58001305 | 1 | CLEAN WATER TANK SONAR KIT | |
| 2 | 58001407 | 1 | HOSE HOLDER FLEXIBLE | |
| 3 | 58001378 | 2 | 1/4 MALE ELBOW SWIVEL FITTING | |
| 4 | 58001212 | 2 | FLOAT SWITCH | |
| 5 | 58001197 | 4 | M4 X 0.7 X 12 HX-SHCS | |
| 6 | 58001289 | 1 | M6 X 1.0 X 10 HX-SHCS | |



| Pos. | Artikel-Nr. | Menge | Variante | Notes |
|------|-------------|-------|-----------------------|-------|
| 1 | 58001326 | 1 | M6 X 1.0 X 16 HX-FHCS | |
| 2 | 58001383 | 5 | CABLE TIE MOUNT 4.5MM | |
| 3 | 58001197 | 5 | M4 X 0.7 X 12 HX-SHCS | |



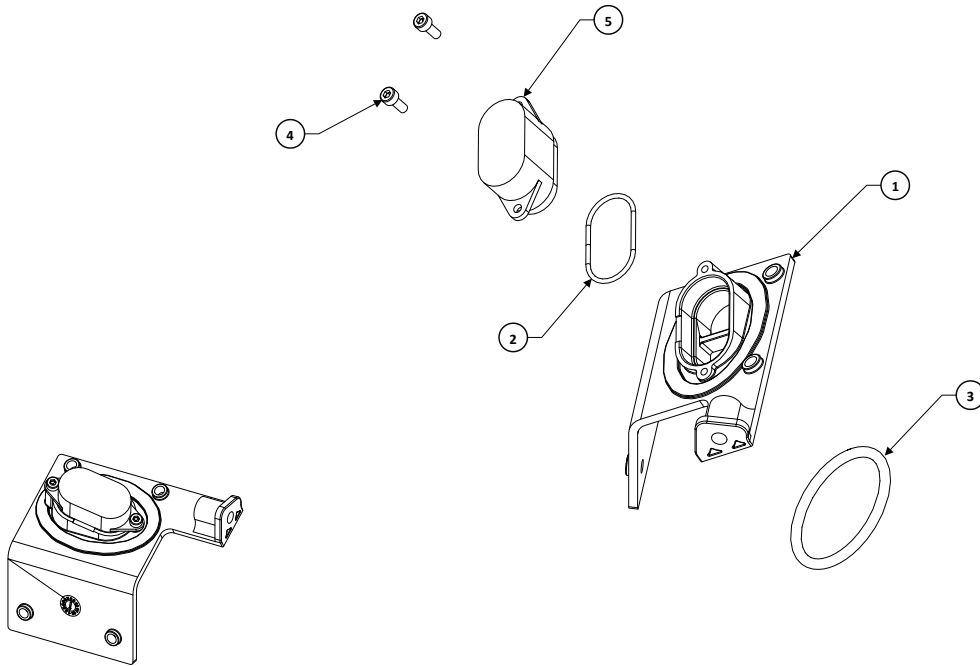
GASKETTED CLEAN WATER TANK ASM

SC25

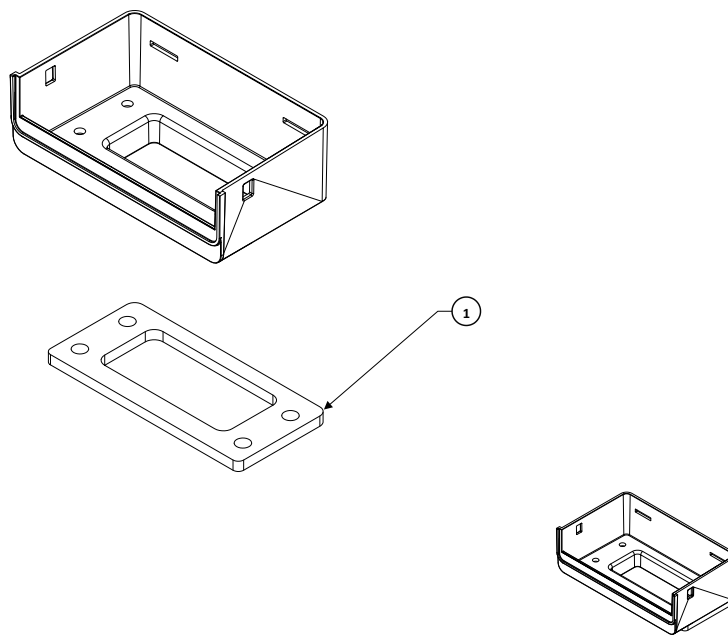
2024.09.19

2024.09.25

| Pos. | Artikel-Nr. | Menge | Variante | Notes |
|-------------|--------------------|--------------|-------------------------|--------------|
| 1 | 58001408 | 1 | CLEAN WATER TANK GASKET | |



| Pos. | Artikel-Nr. | Menge | Variante | Notes |
|------|-------------|-------|------------------------------|-------|
| 1 | 58001409 | 1 | CLEAN WATER TANK SONAR MOUNT | |
| 2 | 58001338 | 1 | O RING D22 X T1.5 | |
| 3 | 58001410 | 1 | O RING D39 X T3.5 | |
| 4 | 58001190 | 2 | M3 X 0.5 X 8 HX-SHCS | |
| 5 | 58001239 | 1 | SONAR SENSOR 1 | |



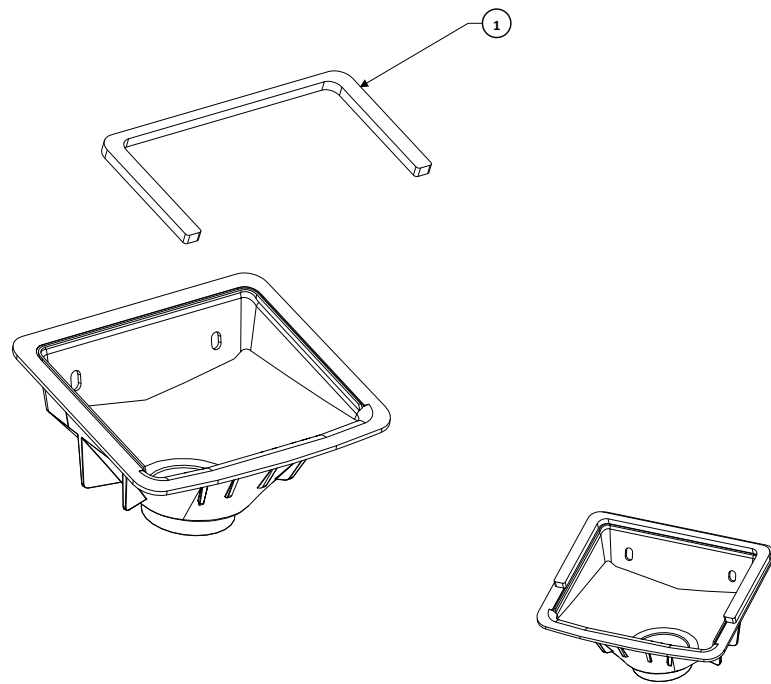
GASKETED REAR TOP UP TRAY ASM

SC25

2024.09.19

2025.08.01

| Pos. | Artikel-Nr. | Menge | Variante | Notes |
|------|-------------|-------|-------------------------|-------|
| 1 | 58001098 | 1 | REAR TOP UP TRAY GASKET | |



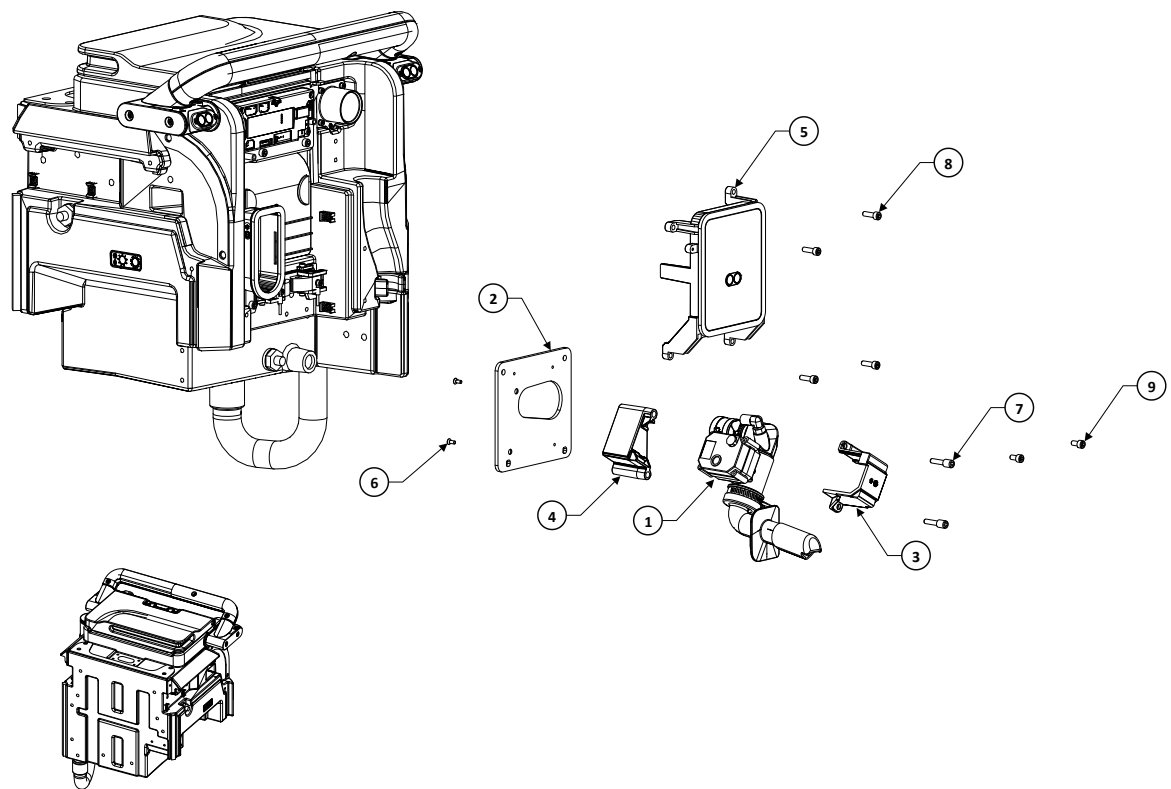
GASKETED SIDE UP TRAY ASM

SC25

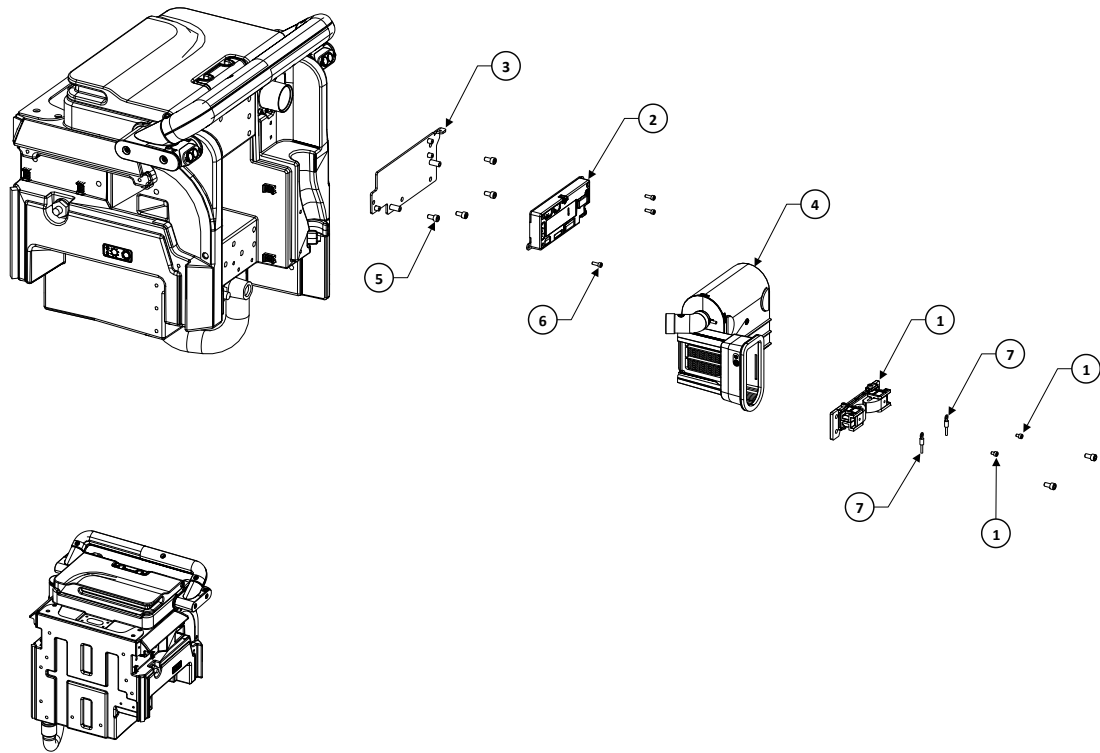
2024.09.19

2025.08.01

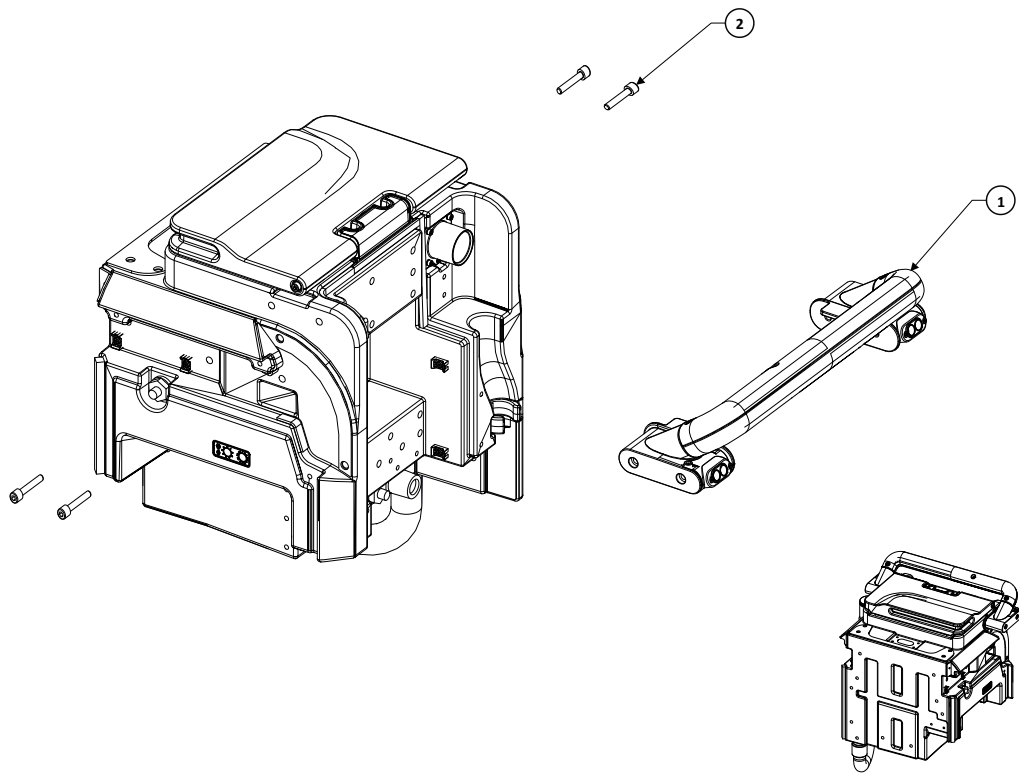
| Pos. | Artikel-Nr. | Menge | Variante | Notes |
|------|-------------|-------|-------------------------|-------|
| 1 | 58001113 | 1 | SIDE TOP UP TRAY GASKET | |



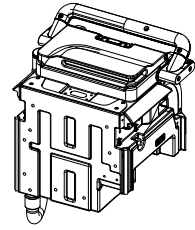
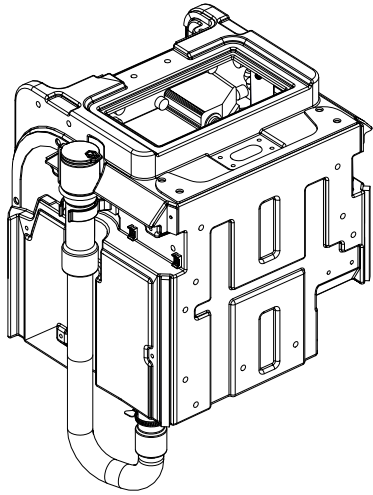
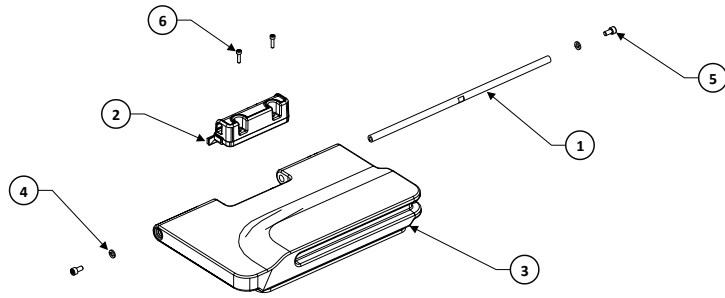
| Pos. | Artikel-Nr. | Menge | Variante | Notes |
|-------------|--------------------|--------------|-------------------------|--------------|
| 1 | 58001306 | 1 | BALL VALVE KIT | |
| 2 | 58001122 | 1 | TANK CONNECTING PLATE | |
| 3 | 58001413 | 1 | AUTO DRAIN VALVE CLAMP | |
| 4 | 58001414 | 1 | AUTO DRAIN VALVE HOLDER | |
| 5 | 58001307 | 1 | REAR SENSOR KIT | |
| 6 | 58001047 | 2 | M6 X 1.0 X 12 HX-FHCS | |
| 7 | 58001332 | 2 | M6 X 1.0 X 25 HX-SHCS | |
| 8 | 58001048 | 4 | M6 X 1.0 X 20 HX-SHCS | |
| 9 | 58001301 | 2 | M6 X 1.0 X 12 HX-SHCS | |



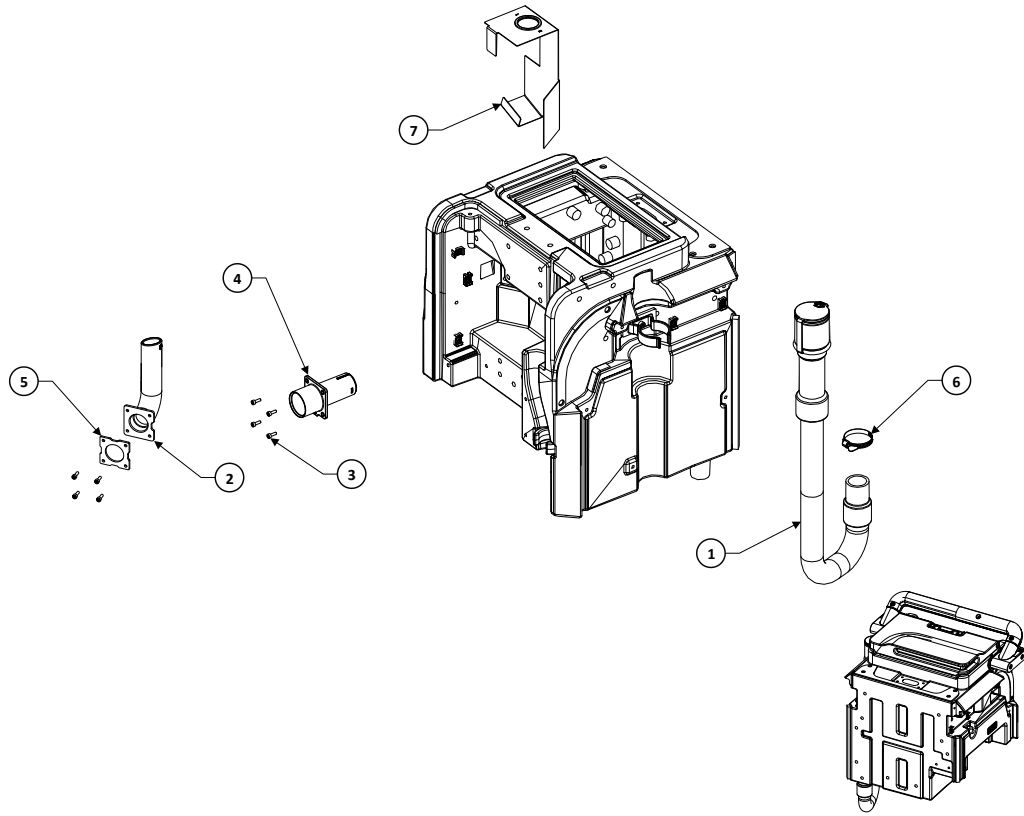
| Pos. | Artikel-Nr. | Menge | Variante | Notes |
|-------------|--------------------|--------------|---|--------------|
| 1 | 58001308 | 1 | REAR CHARGING CONTACTS KIT | |
| 2 | 58001309 | 1 | ECU TOP KIT | |
| 3 | 58001310 | 1 | RECOVERY TANK UPPER PLATE W STICKER KIT | |
| 4 | 58001311 | 1 | VACUUM MOTOR KIT | |
| 5 | 58001301 | 6 | M6 X 1.0 X 12 HX-SHCS | |
| 6 | 58001197 | 3 | M4 X 0.7 X 12 HX-SHCS | |
| 7 | 58001540 | 1 | R30V8, PDB / DOCKING CONTACT | |



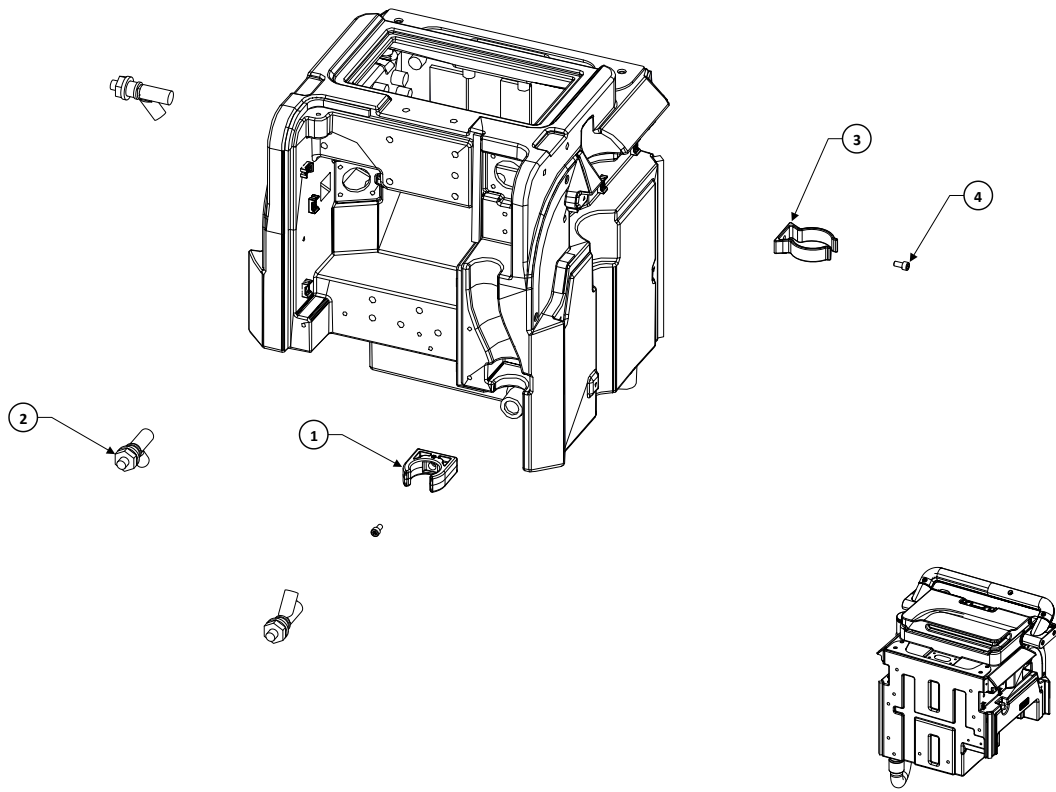
| Pos. | Artikel-Nr. | Menge | Variante | Notes |
|------|-------------|-------|-----------------------|-------|
| 1 | 58001312 | 1 | HANDLEBAR KIT | |
| 2 | 58001337 | 4 | M6 X 1.0 X 70 HX-SHCS | |



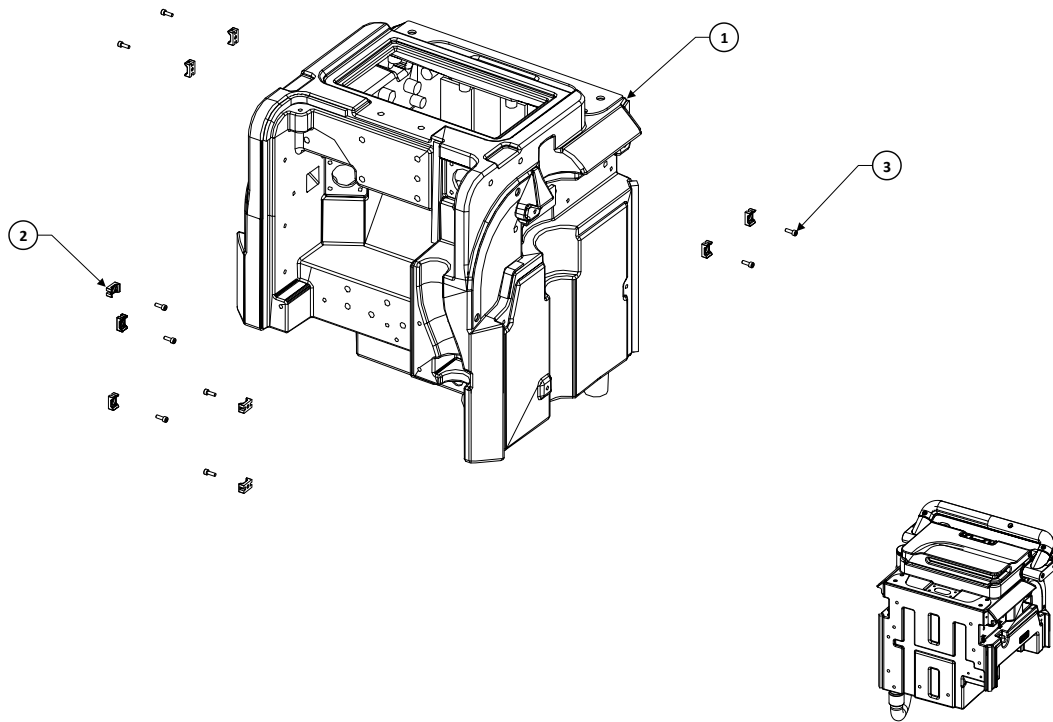
| Pos. | Artikel-Nr. | Menge | Variante | Notes |
|-------------|--------------------|--------------|--------------------------------|--------------|
| 1 | 58001415 | 1 | HATCH LINEAR SHAFT | |
| 2 | 58001313 | 1 | GASKETED HATCH HINGE MOUNT KIT | |
| 3 | 58001327 | 1 | HATCH ASM | |
| 4 | 58001286 | 2 | M6 FLAT WASHER | |
| 5 | 58001301 | 2 | M6 X 1.0 X 12 HX-SHCS | |
| 6 | 58001197 | 2 | M4 X 0.7 X 12 HX-SHCS | |



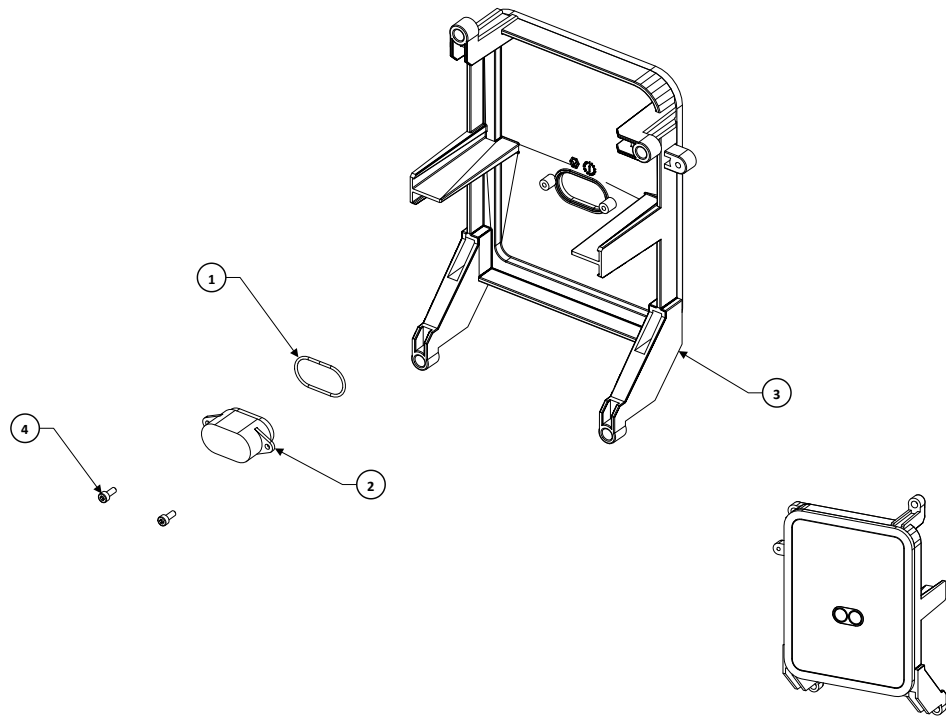
| Pos. | Artikel-Nr. | Menge | Variante | Notes |
|-------------|--------------------|--------------|-----------------------------------|--------------|
| 1 | 58001334 | 1 | RECOVERY TANK DRAIN HOSE | |
| 2 | 58001416 | 1 | RECOVERY TANK VACUUM HOSE | |
| 3 | 58001197 | 8 | M4 X 0.7 X 12 HX-SHCS | |
| 4 | 58001314 | 1 | GASKETTED SQUEEGEE HOSE INLET KIT | |
| 5 | 58001128 | 1 | VACUUM HOSE CLAMP PLATE | |
| 6 | 58001040 | 1 | HOSE CLIP (32/50) THUMB SCREW | |
| 7 | 58001417 | 1 | RECOVERY TANK BAFFLE | |



| Pos. | Artikel-Nr. | Menge | Variante | Notes |
|-------------|--------------------|--------------|-----------------------|--------------|
| 1 | 58001407 | 1 | HOSE HOLDER FLEXIBLE | |
| 2 | 58001212 | 3 | FLOAT SWITCH | |
| 3 | 58001418 | 1 | HOSE TANK CLIP | |
| 4 | 58001301 | 2 | M6 X 1.0 X 12 HX-SHCS | |



| Pos. | Artikel-Nr. | Menge | Variante | Notes |
|-------------|--------------------|--------------|--|--------------|
| 1 | 58001328 | 1 | M6 X 1.0 X 16 HX-SHCSGASKETTED RECOVERY WATER TANK ASM | |
| 2 | 58001383 | 9 | CABLE TIE MOUNT 4.5MM | |
| 3 | 58001197 | 9 | M4 X 0.7 X 12 HX-SHCS | |



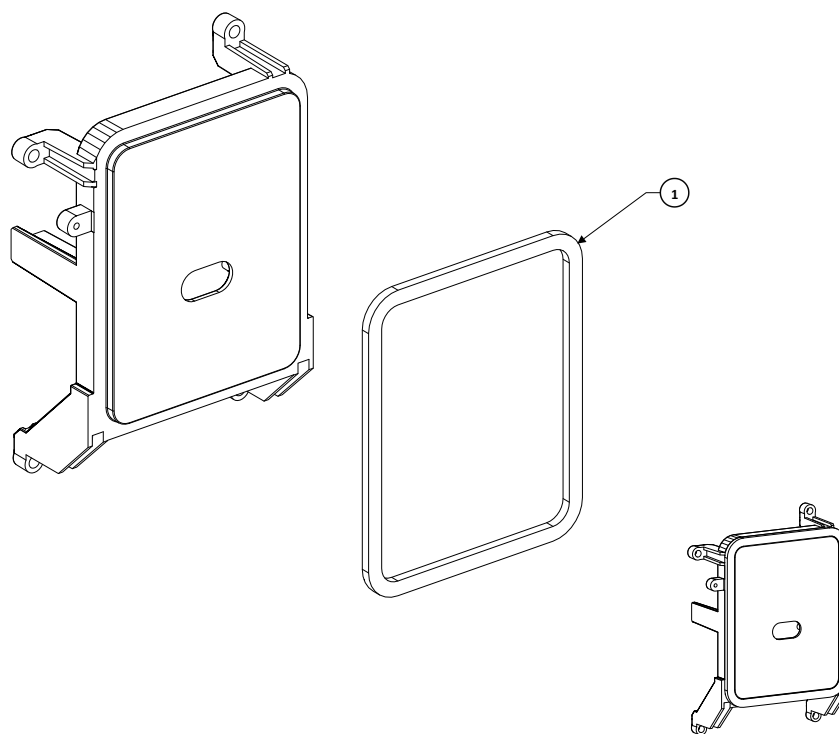
REAR SENSOR ASM

SC25

2024.09.19

2025.08.01

| Pos. | Artikel-Nr. | Menge | Variante | Notes |
|-------------|--------------------|--------------|---------------------------------|--------------|
| 1 | 58001338 | 1 | O RING D22 X T1.5 | |
| 2 | 58001238 | 1 | SONAR SENSOR | |
| 3 | 58001315 | 1 | GASKETTED REAR SENSOR COVER KIT | |
| 4 | 58001190 | 2 | M3 X 0.5 X 8 HX-SHCS | |



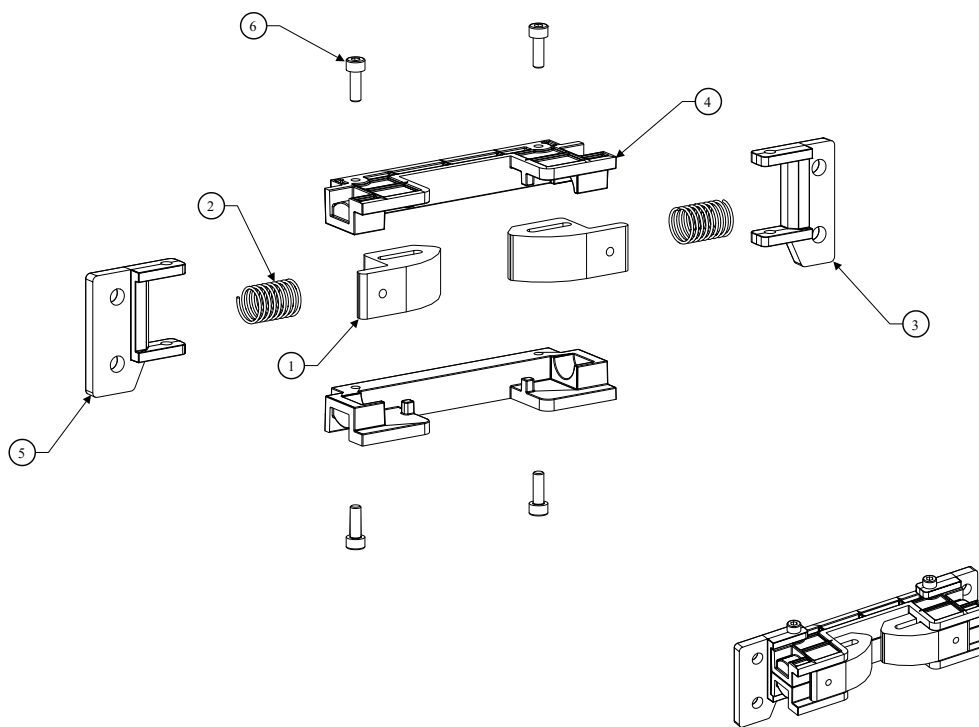
GASKETTED REAR SENSOR COVER

SC25

2024.09.19

2024.09.25

| Pos. | Artikel-Nr. | Menge | Variante | Notes |
|-------------|--------------------|--------------|--------------------------|--------------|
| 1 | 58001419 | 1 | REAR SENSOR COVER GASKET | |



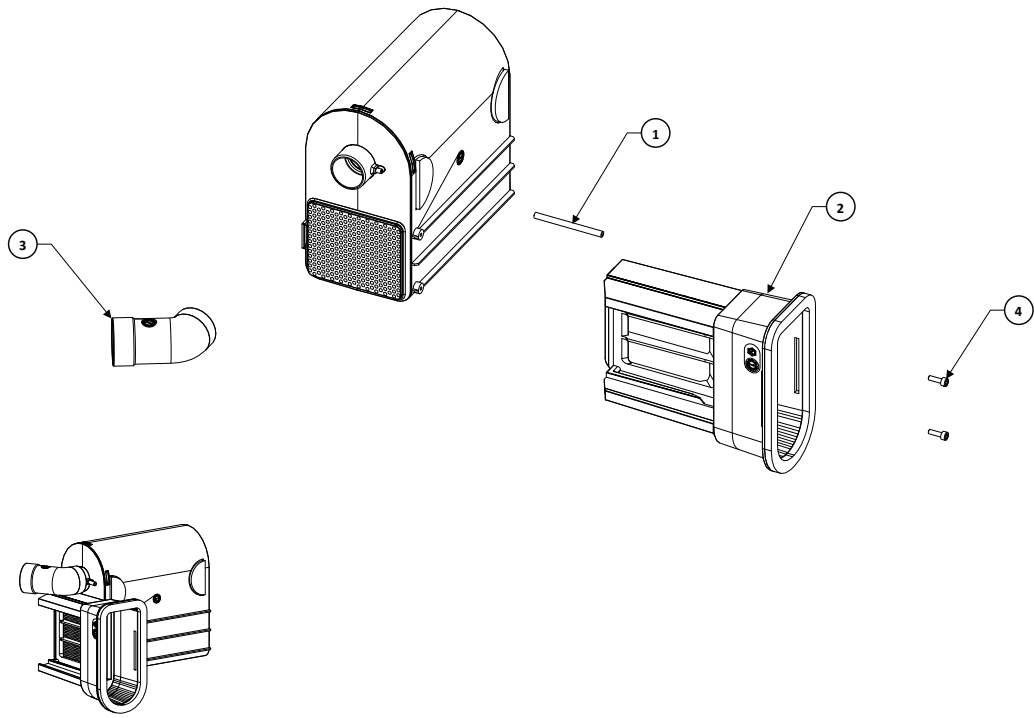
REAR CHARGING CONTACTS ASM

SC25

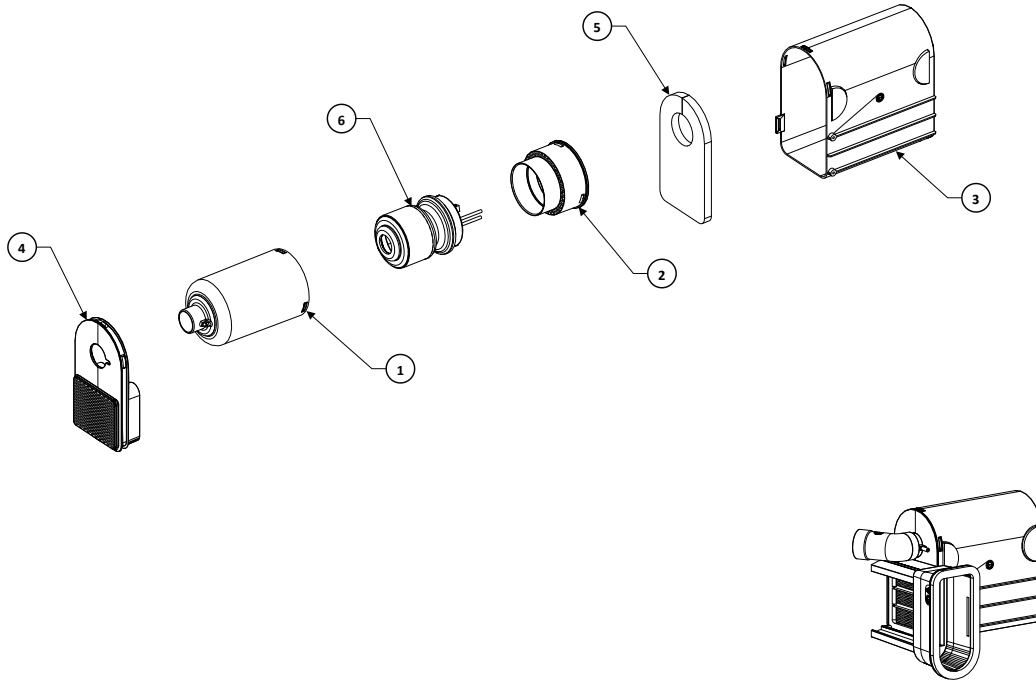
2024.09.19

2025.08.01

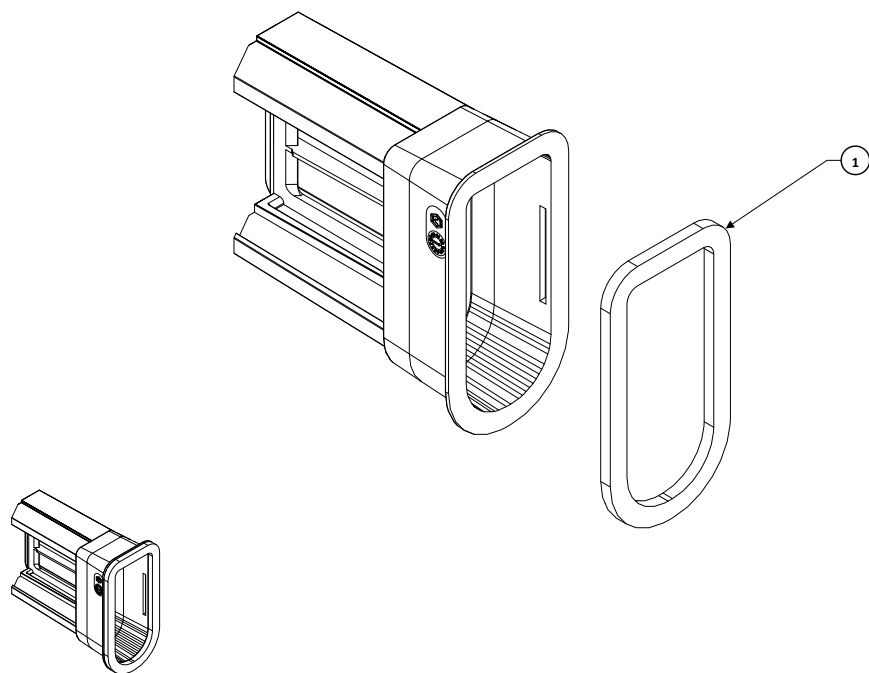
| Pos. | Artikel-Nr. | Menge | Variante | Notes |
|-------------|--------------------|--------------|------------------------------|--------------|
| 1 | 58001152 | 2 | DOCKING COPPER CONTACT | |
| 2 | 58001142 | 2 | COMPRESSION SPRING | |
| 3 | 58001149 | 1 | DOCKING CONTACT LEFT SLEEVE | |
| 4 | 58001150 | 2 | DOCKING CONTACT MOUNT | |
| 5 | 58001151 | 1 | DOCKING CONTACT RIGHT SLEEVE | |
| 6 | 58001275 | 4 | M4 X 0.7 X 8 HX-SHCS | |



| Pos. | Artikel-Nr. | Menge | Variante | Notes |
|-------------|--------------------|--------------|--|--------------|
| 1 | 58001489 | 1 | SILICON HOSE ID2MM OD4MM L3M | |
| 2 | 58001316 | 1 | GASKETTED VACUUM MOTOR FILTER SLOT KIT | |
| 3 | 58001420 | 1 | VACUUM MOTOR HOSE | |
| 4 | 58001184 | 2 | M3 X 0.5 X 10 HX-SHCS | |



| Pos. | Artikel-Nr. | Menge | Variante | Notes |
|------|-------------|-------|--|-------|
| 1 | 58001574 | 1 | VACUUM MOTOR INNER COVER | |
| 2 | 58001575 | 1 | VACUUM MOTOR INNER LID | |
| 3 | 58001317 | 1 | GASKETTED VACUUM MOTOR OUTER COVER KIT | |
| 4 | 58001576 | 1 | VACUUM MOTOR OUTER LID | |
| 5 | 58001577 | 1 | VACUUM MOTOR SOUND FILTER | |
| 6 | 58001244 | 1 | VACUUM MOTOR | |



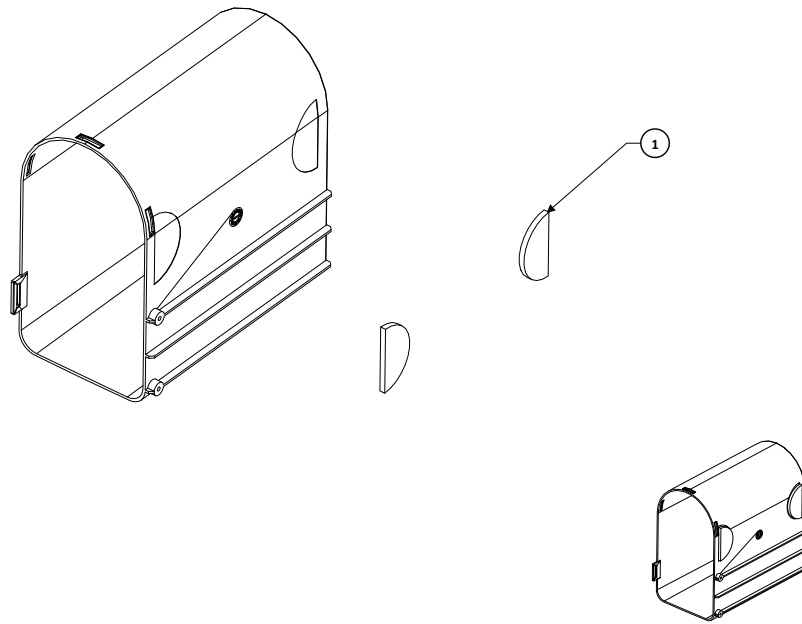
GASKETTED VACCUM MOTOR FILTER SLOT

SC25

2024.09.19

2025.08.01

| Pos. | Artikel-Nr. | Menge | Variante | Notes |
|-------------|--------------------|--------------|---------------------------------|--------------|
| 1 | 58001129 | 1 | VACUUM MOTOR FILTER SLOT GASKET | |



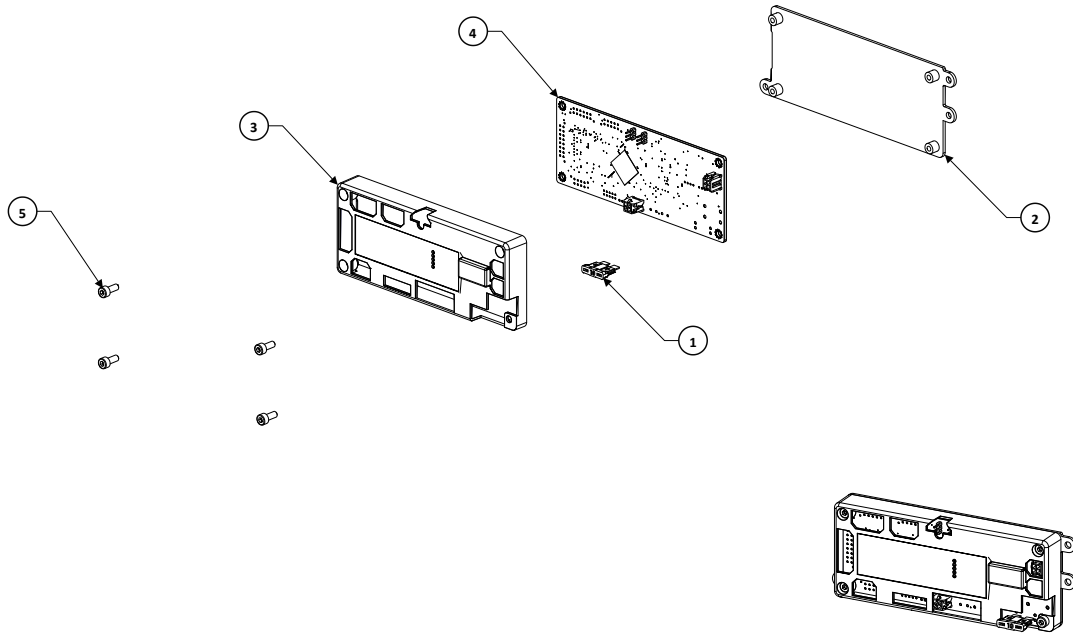
GASKETTED VACUUM MOTOR OUTER COVER

SC25

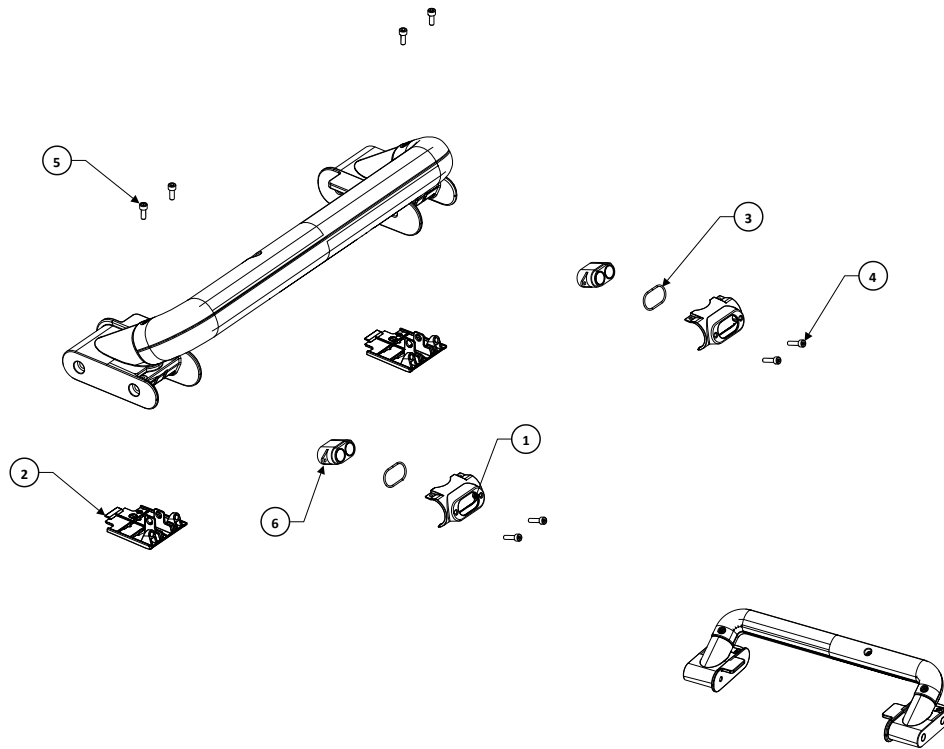
2024.09.19

2025.08.01

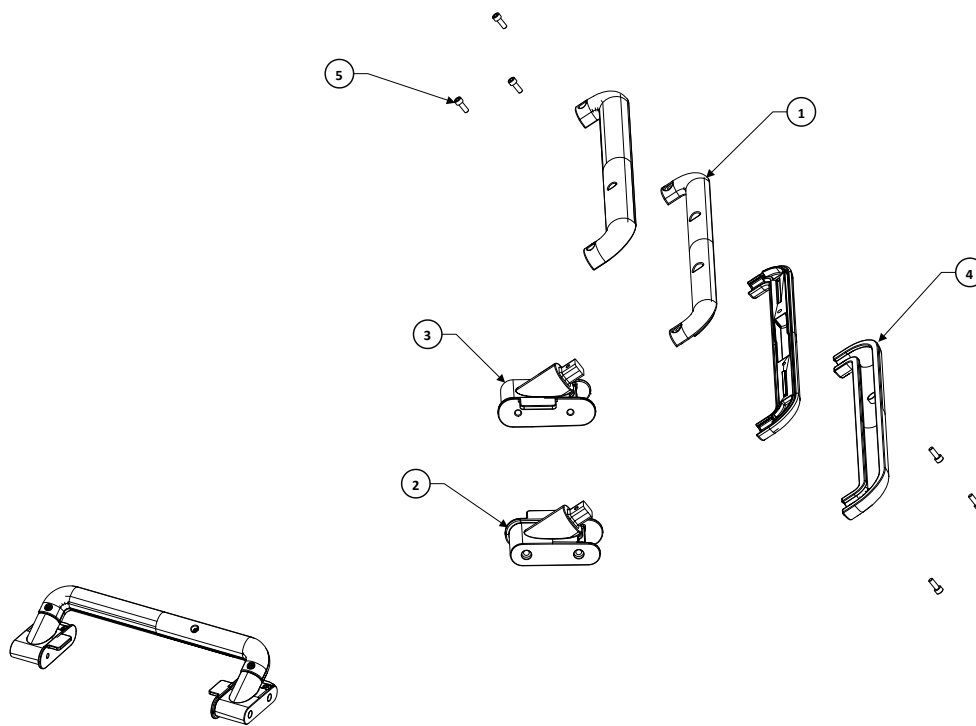
| Pos. | Artikel-Nr. | Menge | Variante | Notes |
|------|-------------|-------|--------------------|-------|
| 1 | 58001111 | 2 | SEMI-CIRCLE GASKET | |



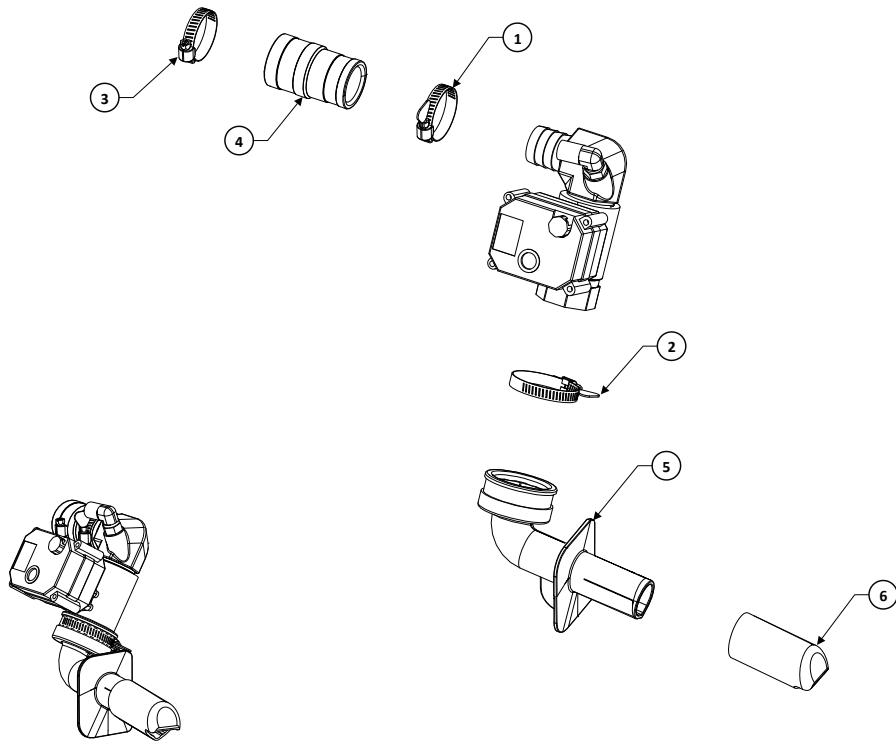
| Pos. | Artikel-Nr. | Menge | Variante | Notes |
|------|-------------|-------|-----------------------|-------|
| 1 | 58001401 | 1 | FUSE 10A ATO 32VDC | |
| 2 | | 1 | ECU TOP BASEPLATE | |
| 3 | 58001159 | 1 | ECU TOP LID | |
| 4 | 58001211 | 1 | ECU TOP F | |
| 5 | 58001195 | 4 | M4 X 0.7 X 10 HX-SHCS | |



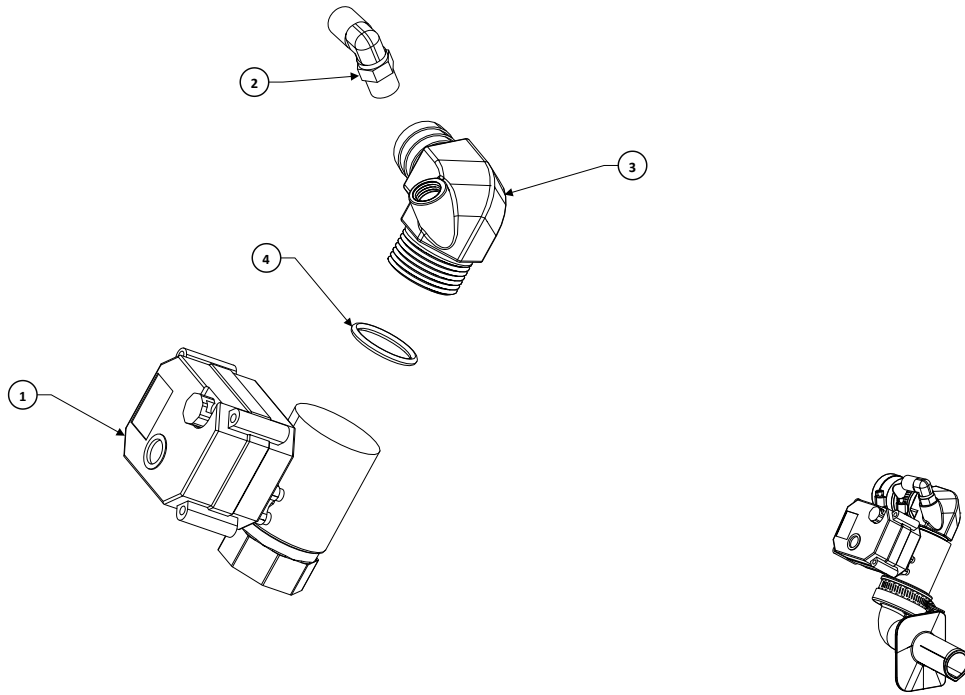
| Pos. | Artikel-Nr. | Menge | Variante | Notes |
|------|-------------|-------|--|-------|
| 1 | 58001170 | 2 | HANDLE SONAR COVER | |
| 2 | 58001171 | 2 | HANDLE SONAR MOUNT | |
| 3 | 58001338 | 2 | O RING D22 X T1.5 | |
| 4 | 58001186 | 4 | M3 X 0.5 X 25 HX-SHCS | |
| 5 | 58001188 | 4 | M3 X 0.5 X 6 HX-SHCSM3 X 0.5 X 6 HX-SHCS | |
| 6 | 58001238 | 2 | SONAR SENSOR | |



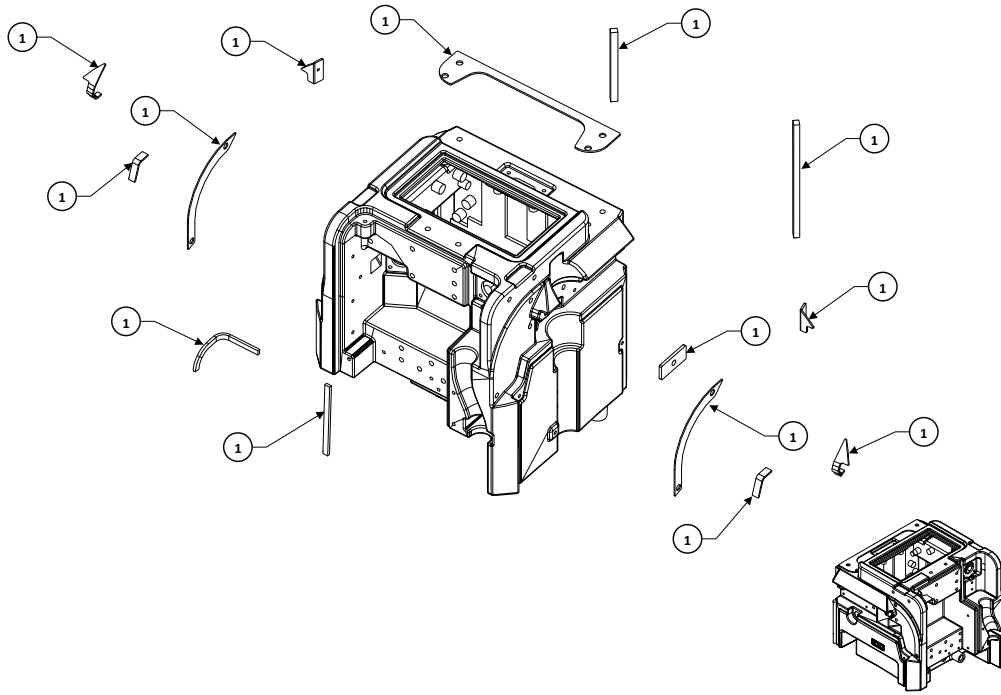
| Pos. | Artikel-Nr. | Menge | Variante | Notes |
|-------------|--------------------|--------------|--------------------------------------|--------------|
| 1 | 58001173 | 2 | HANDLEBAR MAIN SECTION | |
| 2 | 58001318 | 1 | HANDLEBAR LEFT BASE WITH STICKER KIT | |
| 3 | 58001174 | 1 | HANDLEBAR RIGHT BASE | |
| 4 | 58001172 | 2 | HANDLEBAR COVER | |
| 5 | 58001328 | 6 | M6 X 1.0 X 16 HX-SHCS | |



| Pos. | Artikel-Nr. | Menge | Variante | Notes |
|-------------|--------------------|--------------|-------------------------------|--------------|
| 1 | 58001038 | 1 | HOSE CLIP (20/32) SCREW | |
| 2 | 58001040 | 1 | HOSE CLIP (32/50) THUMB SCREW | |
| 3 | 58001039 | 1 | HOSE CLIP (25/40) THUMB SCREW | |
| 4 | 58001125 | 1 | TANK TO AUTO DRAIN CUFF | |
| 5 | 58001033 | 1 | DRAIN END OUTLET | |
| 6 | 58001034 | 1 | DRAIN END OUTLET ADAPTER | |



| Pos. | Artikel-Nr. | Menge | Variante | Notes |
|------|-------------|-------|-------------------------------|-------|
| 1 | 58001227 | 1 | BALL VALVE | |
| 2 | 58001378 | 1 | 1/4 MALE ELBOW SWIVEL FITTING | |
| 3 | 58001099 | 1 | RINSING FITTING | |
| 4 | 58001339 | 1 | O RING D26 X T3 | |



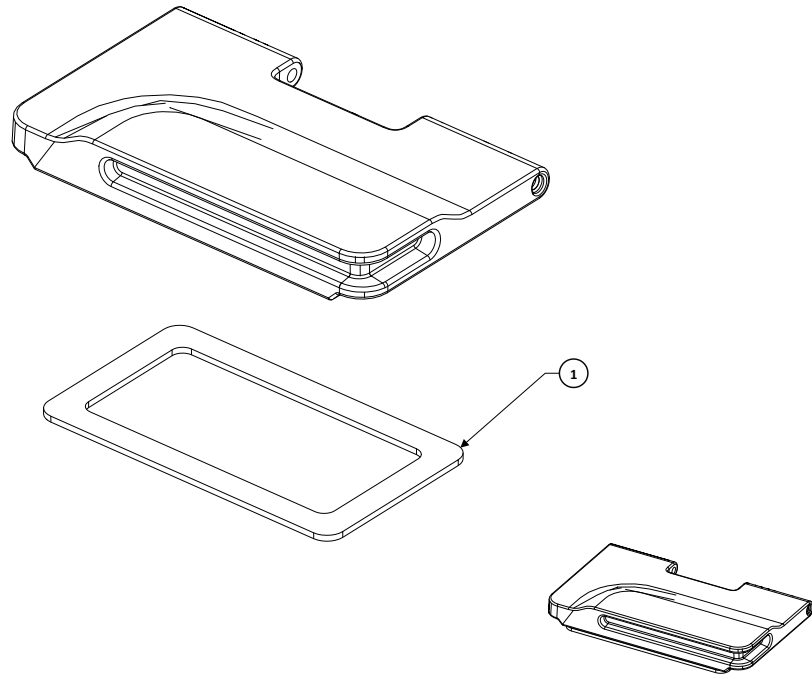
GASKETTED RECOVERY WATER TANK ASM

SC25

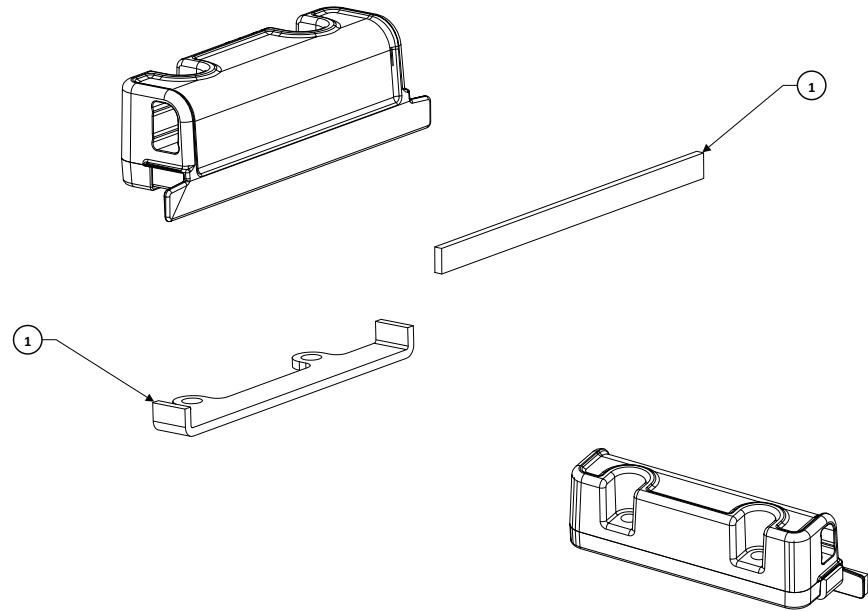
2024.09.19

2024.09.25

| Pos. | Artikel-Nr. | Menge | Variante | Notes |
|-------------|--------------------|--------------|----------------------|--------------|
| 1 | 58001421 | 1 | RECOVERY TANK GASKET | |



| Pos. | Artikel-Nr. | Menge | Variante | Notes |
|------|-------------|-------|--------------|-------|
| 1 | 58001422 | 1 | HATCH GASKET | |



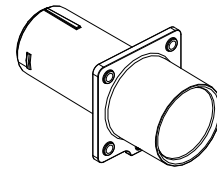
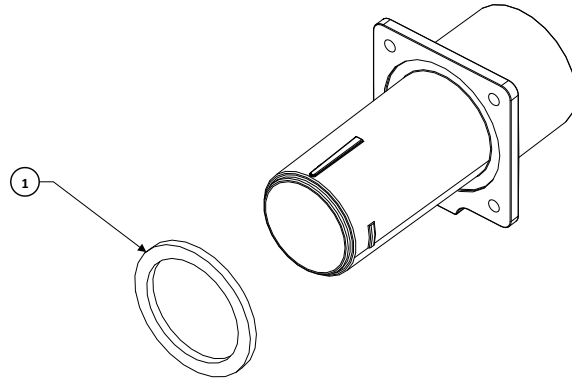
GASKETED HATCH HINGE MOUNTH ASM

SC25

2024.09.19

2024.09.25

| Pos. | Artikel-Nr. | Menge | Variante | Notes |
|------|-------------|-------|--------------------------|-------|
| 1 | 58001423 | 1 | HATCH HINGE MOUNT GASKET | |



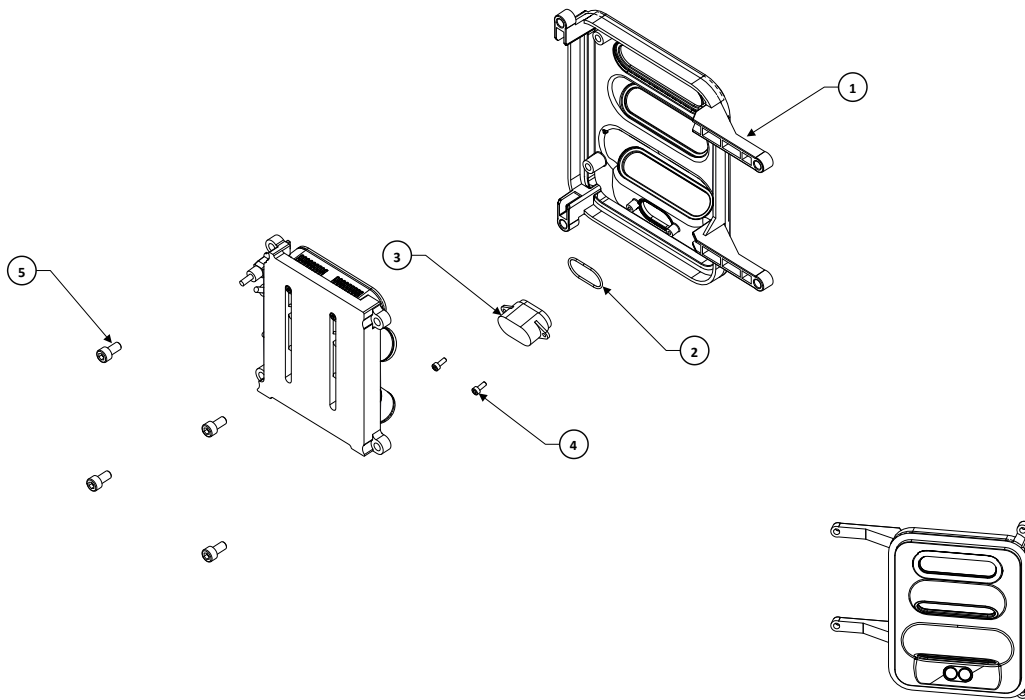
GASKETTED SQUEEGEE HOSE INLET

SC25

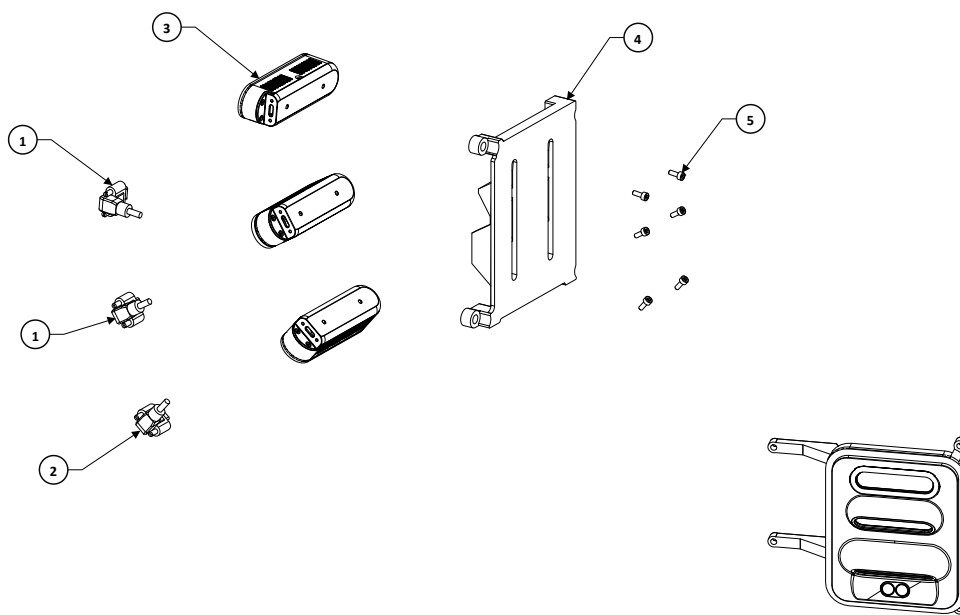
2024.09.19

2024.09.25

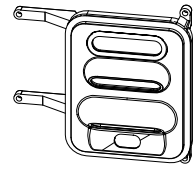
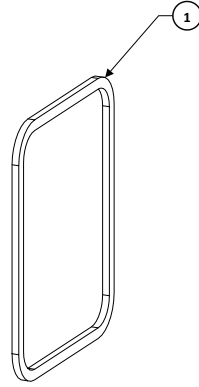
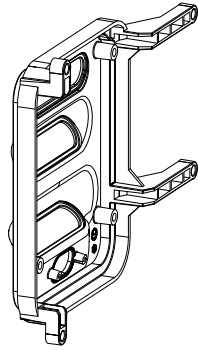
| Pos. | Artikel-Nr. | Menge | Variante | Notes |
|------|-------------|-------|----------------------------|-------|
| 1 | 58001424 | 1 | SQUEEGEE HOSE INLET GASKET | |



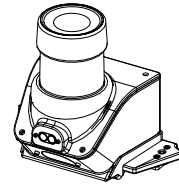
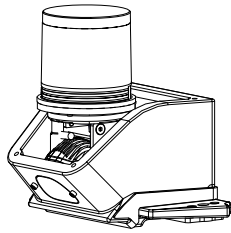
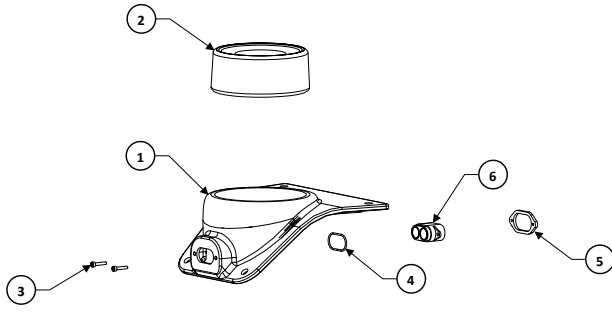
| Pos. | Artikel-Nr. | Menge | Variante | Notes |
|-------------|--------------------|--------------|----------------------------------|--------------|
| 1 | 58001319 | 1 | GASKETTED FRONT SENSOR COVER KIT | |
| 2 | 58001339 | 1 | O RING D26 X T3 | |
| 3 | 58001238 | 1 | SONAR SENSOR | |
| 4 | 58001190 | 2 | M3 X 0.5 X 8 HX-SHCS | |
| 5 | 58001301 | 4 | M6 X 1.0 X 12 HX-SHCS | |



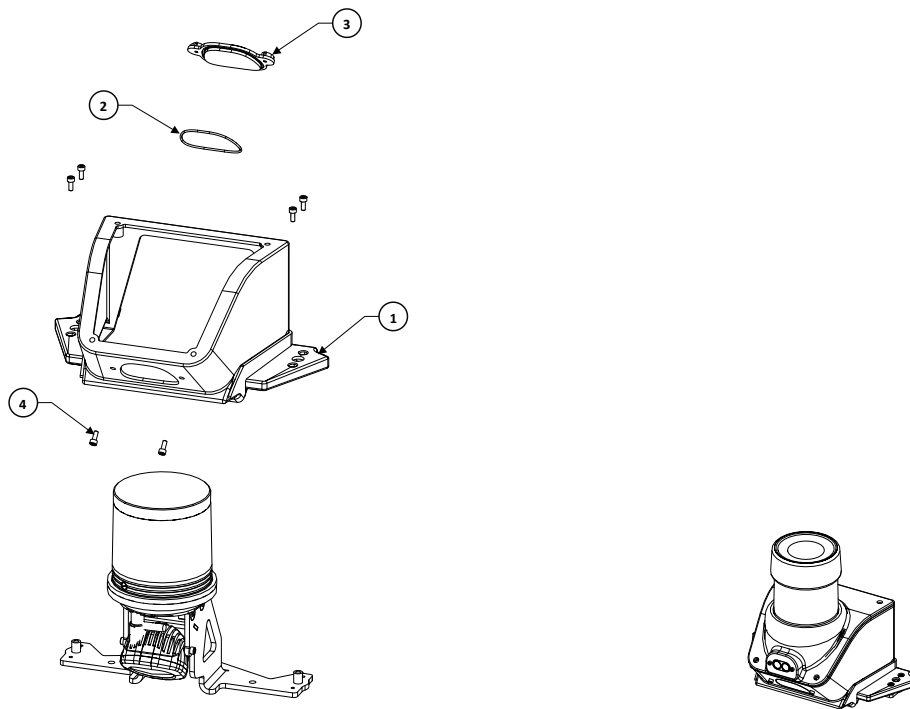
| Pos. | Artikel-Nr. | Menge | Variante | Notes |
|-------------|--------------------|--------------|---------------------------------|--------------|
| 1 | 58001467 | 2 | 90DEGREE DEPTH CAMERA WIRE 0.3M | |
| 2 | 58001466 | 1 | DEPTH CAMERA WIRE FRONT BOTTOM | |
| 3 | 58001213 | 3 | GASKETTED DEPTH CAMERA | |
| 4 | 58001166 | 1 | FRONT DEPTH CAMERA MOUNT | |
| 5 | 58001188 | 6 | M3 X 0.5 X 6 HX-SHCS | |



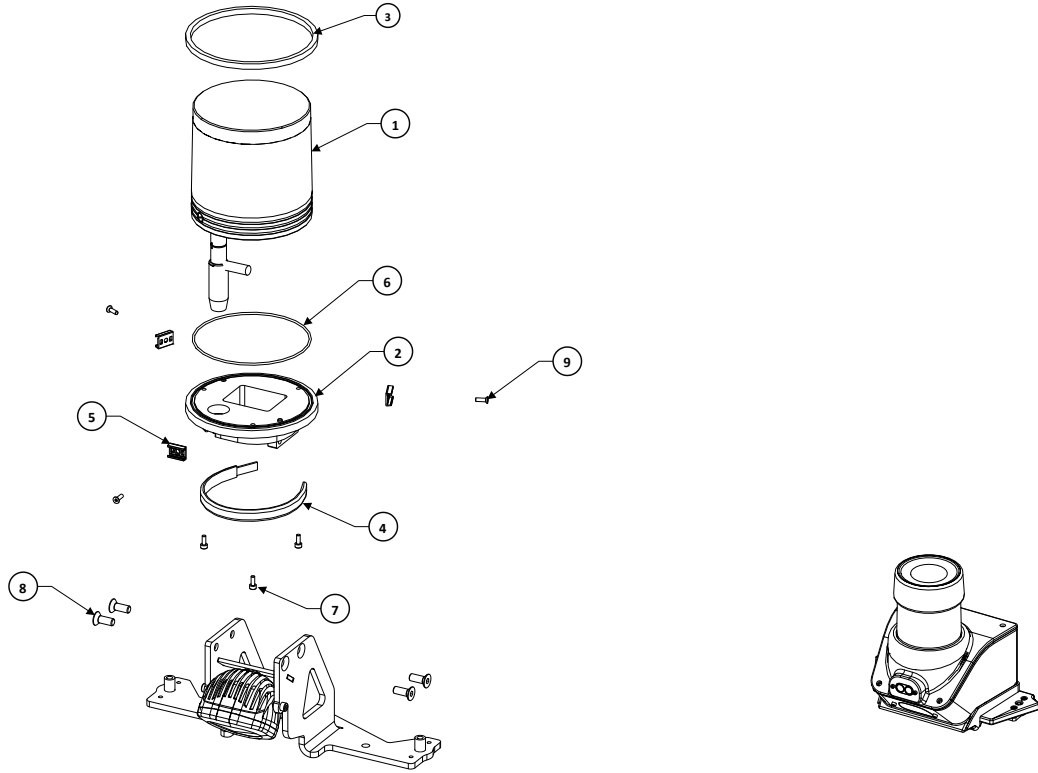
| Pos. | Artikel-Nr. | Menge | Variante | Notes |
|------|-------------|-------|---------------------------|-------|
| 1 | 58001425 | 1 | FRONT SENSOR COVER GASKET | |



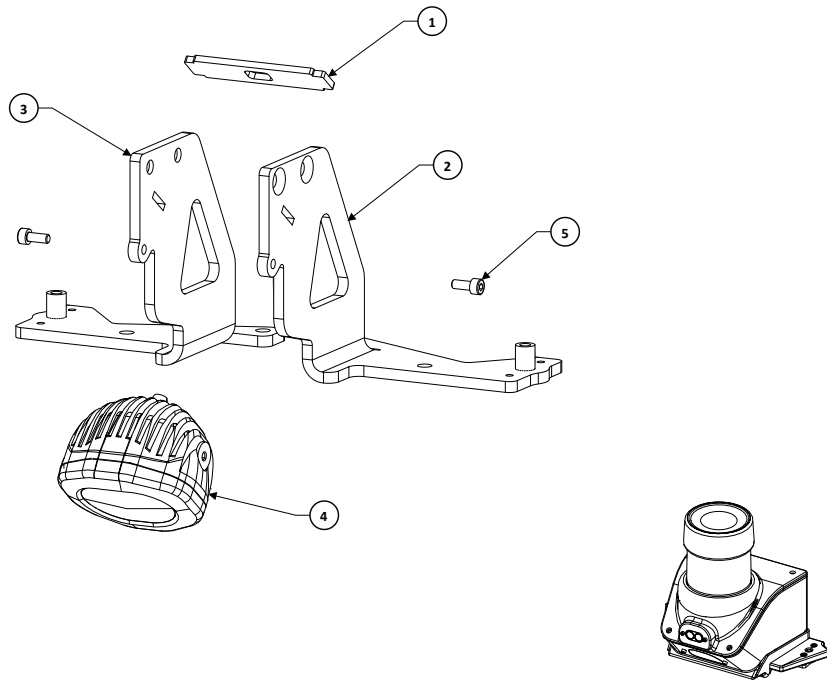
| Pos. | Artikel-Nr. | Menge | Variante | Notes |
|------|-------------|-------|------------------------|-------|
| 1 | 58001320 | 1 | GASKETTED 3D CROWN KIT | |
| 2 | 58001426 | 1 | 3D LIDAR CROWN CAP | |
| 3 | 58001185 | 2 | M3 X 0.5 X 16 HX-SHCS | |
| 4 | 58001338 | 1 | O RING D22 X T1.5 | |
| 5 | 58001570 | 1 | SONAR CLIP | |
| 6 | 58001238 | 1 | SONAR SENSOR | |



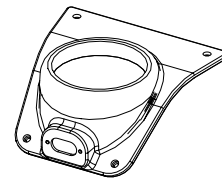
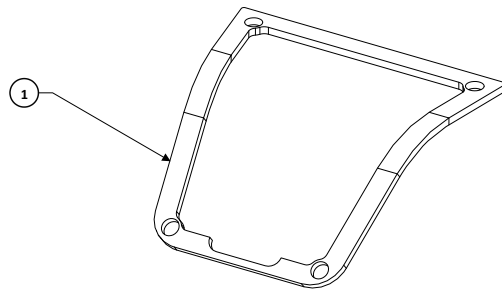
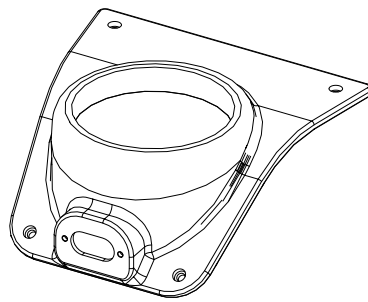
| Pos. | Artikel-Nr. | Menge | Variante | Notes |
|-------------|--------------------|--------------|------------------------------------|--------------|
| 1 | 58001329 | 1 | GASKETTED CROWN HOUSING | |
| 2 | 58001411 | 1 | O-RING ID 53.7MM, THICKNESS 1.78MM | |
| 3 | 58001427 | 1 | SAFETY LIGHT LENS | |
| 4 | 58001195 | 6 | M4 X 0.7 X 10 HX-SHCS | |



| Pos. | Artikel-Nr. | Menge | Variante | Notes |
|------|-------------|-------|-----------------------------------|-------|
| 1 | 58001428 | 1 | PIVOT PIN 963D LIDAR (HELIOS-16P) | |
| 2 | 58001131 | 1 | 3D LIDAR MOUNT | |
| 3 | 58001429 | 1 | CROWN 3D LIDAR GASKET | |
| 4 | 58001430 | 1 | HALO LED STRIP L 0.2M 24V | |
| 5 | 58001431 | 3 | LED STRIP CLIP | |
| 6 | 58001432 | 1 | O RING D95 X T1.78 | |
| 7 | 58001190 | 3 | M3 X 0.5 X 8 HX-SHCS | |
| 8 | 58001326 | 4 | M6 X 1.0 X 16 HX-FHCS | |
| 9 | 58001183 | 3 | M3 X 0.5 X 10 HX-FHCS | |



| Pos. | Artikel-Nr. | Menge | Variante | Notes |
|-------------|--------------------|--------------|-----------------------|--------------|
| 1 | 58000263 | 1 | BLUE LIGHT HOLDER | |
| 2 | 58001145 | 1 | CROWN STRUCTURE LEFT | |
| 3 | 58001146 | 1 | CROWN STRUCTURE RIGHT | |
| 4 | 58001433 | 1 | BLUE LIGHT | |
| 5 | 58001195 | 2 | M4 X 0.7 X 10 HX-SHCS | |



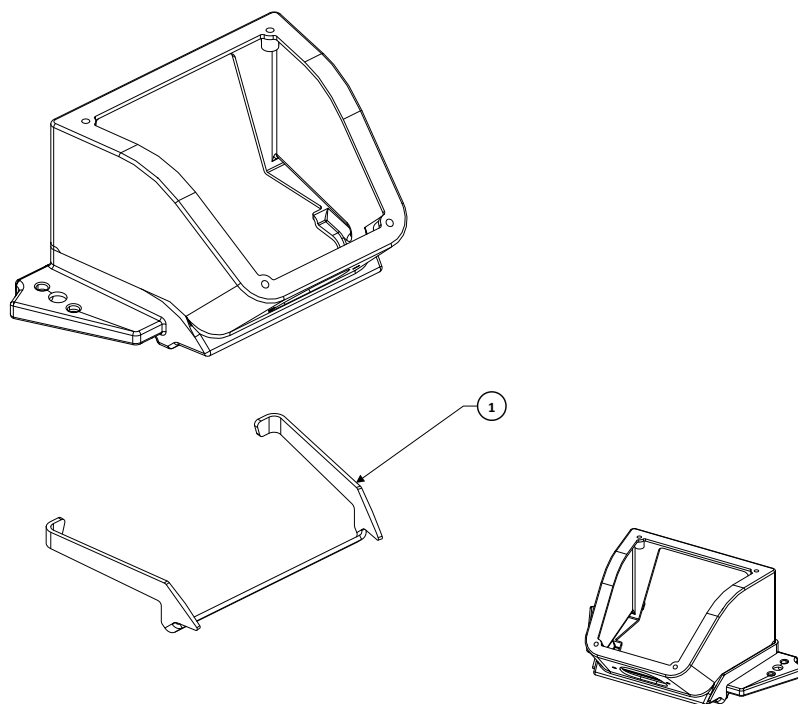
GASKETTED 3D CROWN

SC25

2024.09.19

2024.09.25

| Pos. | Artikel-Nr. | Menge | Variante | Notes |
|------|-------------|-------|------------------|-------|
| 1 | 58001434 | 1 | CROWN LID GASKET | |



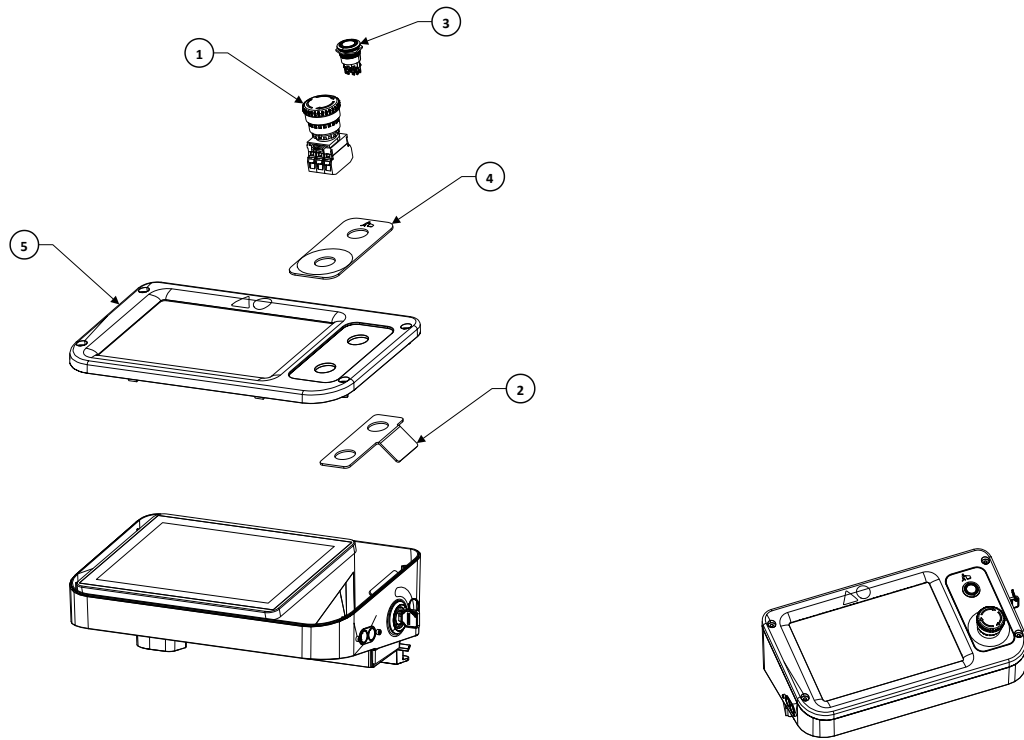
GASKETTED CROWN HOUSING

SC25

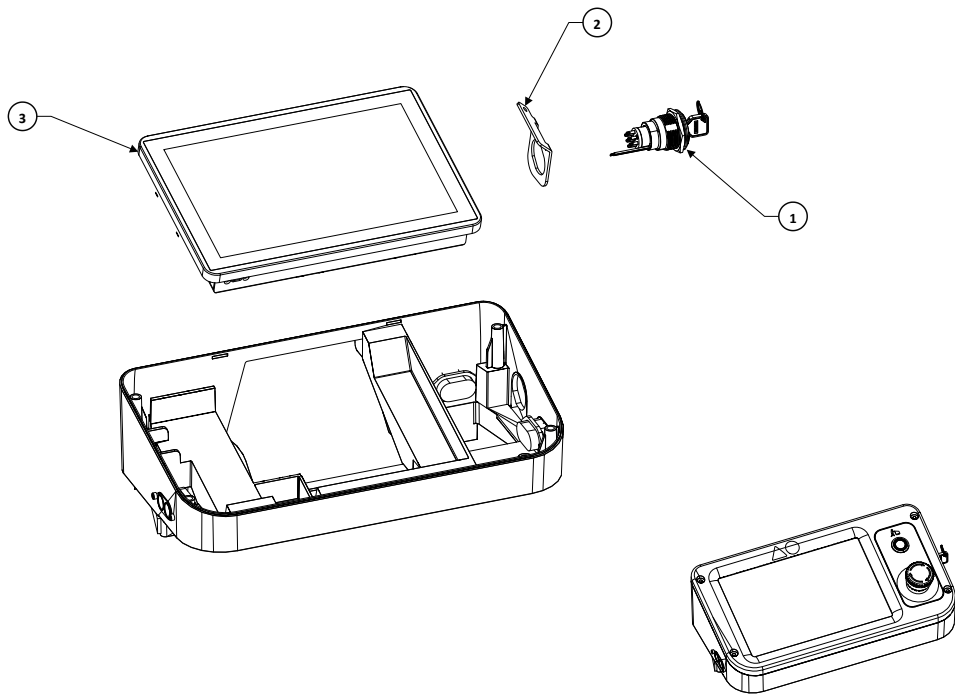
2024.09.19

2024.09.25

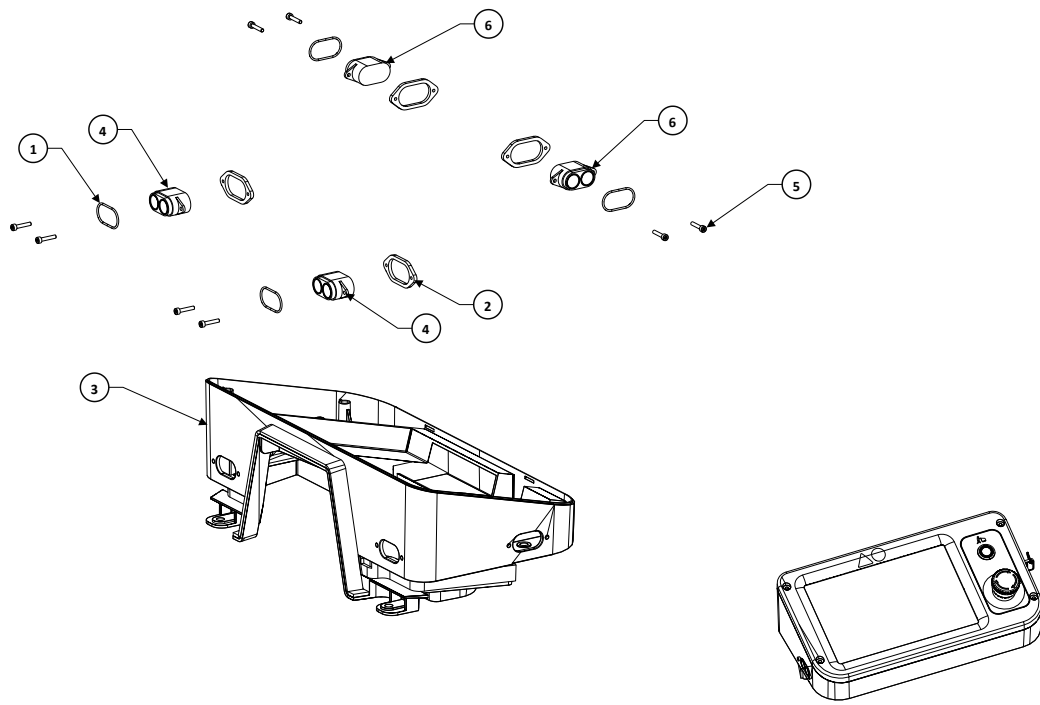
| Pos. | Artikel-Nr. | Menge | Variante | Notes |
|------|-------------|-------|----------------------|-------|
| 1 | 58001435 | 1 | CROWN HOUSING GASKET | |



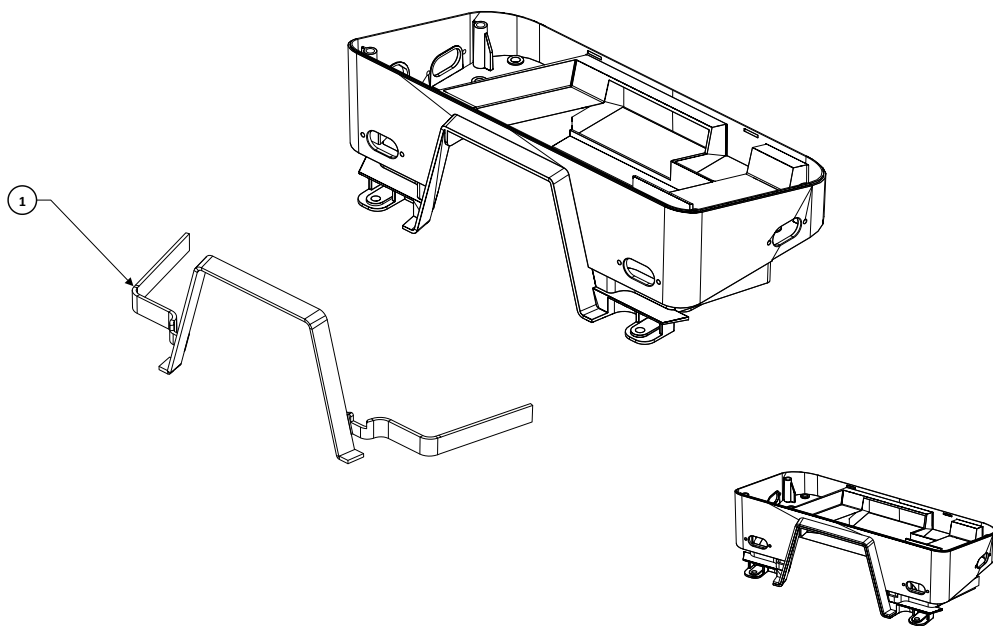
| Pos. | Artikel-Nr. | Menge | Variante | Notes |
|-------------|--------------------|--------------|---------------------------------|--------------|
| 1 | 58001436 | 1 | EMERGENCY STOP SWITCH 10A 120V | |
| 2 | 58001169 | 1 | GROUNDING SWITCH PLATE | |
| 3 | 58001437 | 1 | PUSH SWITCH | |
| 4 | 58001438 | 1 | SWITCH PANEL | |
| 5 | 58001321 | 1 | GASKETTED TOUCHSCREEN COVER KIT | |



| Pos. | Artikel-Nr. | Menge | Variante | Notes |
|-------------|--------------------|--------------|-------------------------|--------------|
| 1 | 58001439 | 1 | KEY SWITCH | |
| 2 | 58001175 | 1 | KEY SWITCH GROUND PLATE | |
| 3 | 58001242 | 1 | TOUCHSCREEN SC25 | |



| Pos. | Artikel-Nr. | Menge | Variante | Notes |
|-------------|--------------------|--------------|-----------------------------------|--------------|
| 1 | 58001338 | 4 | O RING D22 X T1.5 | |
| 2 | 58001570 | 4 | SONAR CLIPSONAR CLIP | |
| 3 | 58001322 | 1 | GASKETTED TOUCHSCREEN HOUSING KIT | |
| 4 | 58001238 | 2 | SONAR SENSOR | |
| 5 | 58001185 | 8 | M3 X 0.5 X 16 HX-SHCS | |
| 6 | 58001239 | 2 | SONAR SENSOR 1 | |



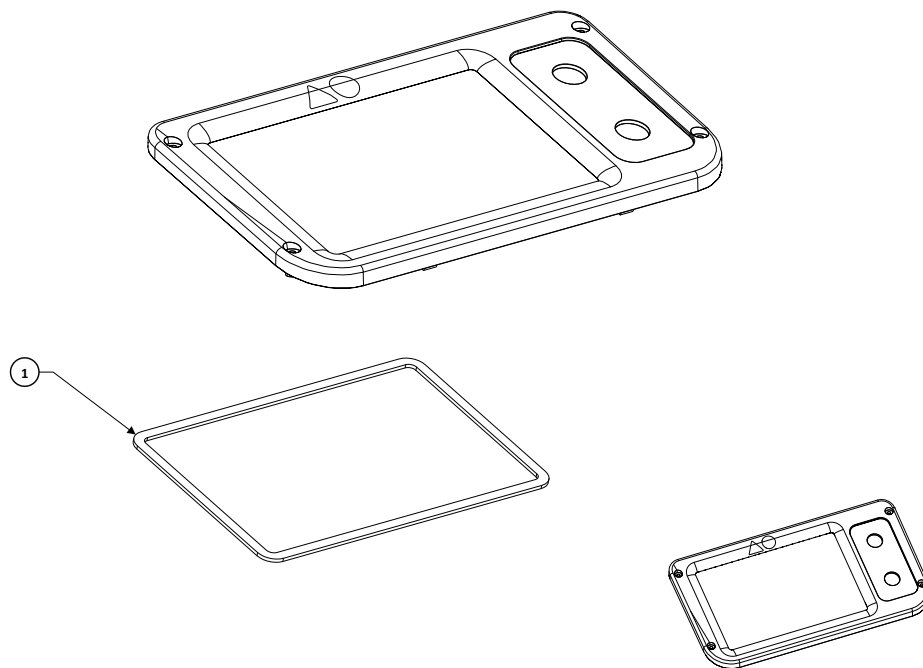
GASKETTED TOUCHSCREEN COVER

SC25

2024.09.19

2024.09.25

| Pos. | Artikel-Nr. | Menge | Variante | Notes |
|------|-------------|-------|--------------------------|-------|
| 1 | 58001440 | 1 | TOUCH SCREEN GASKET FOAM | |



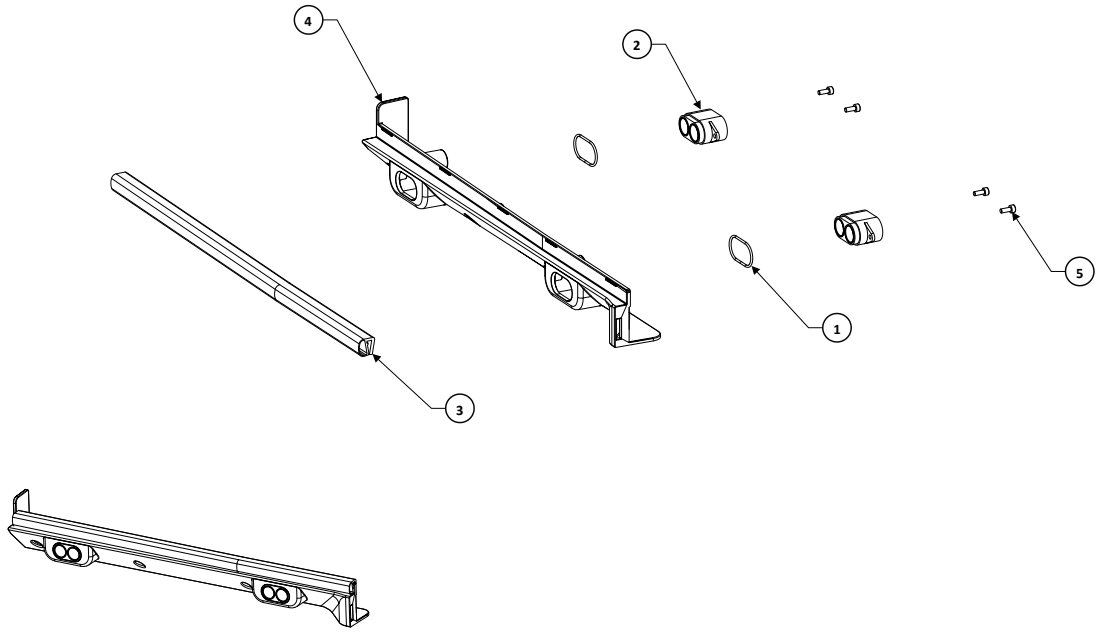
GASKETTED TOUCHSCREEN HOUSING

SC25

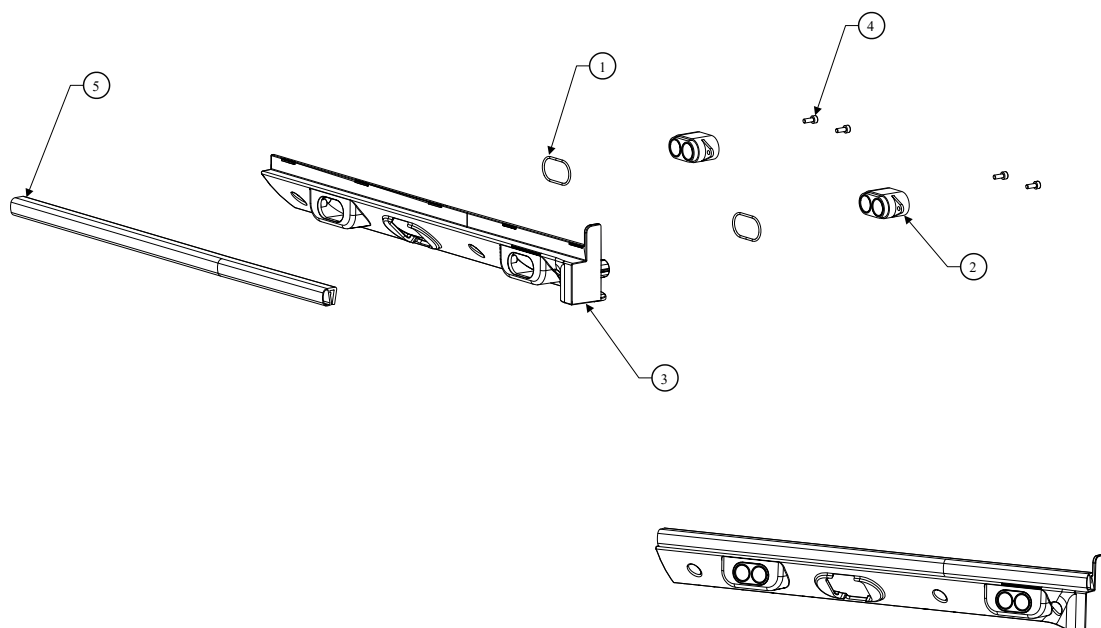
2024.09.19

2024.09.25

| Pos. | Artikel-Nr. | Menge | Variante | Notes |
|------|-------------|-------|----------------------------|-------|
| 1 | 58001441 | 1 | TOUCHSCREEN HOUSING GASKET | |



| Pos. | Artikel-Nr. | Menge | Variante | Notes |
|-------------|--------------------|--------------|--------------------------|--------------|
| 1 | 58001338 | 2 | O RING D22 X T1.5 | |
| 2 | 58001238 | 2 | SONAR SENSOR | |
| 3 | 58001442 | 1 | GASKET EG2 PROFILE 380MM | |
| 4 | 58001179 | 1 | LEFT WIRE CHANNEL COVER | |
| 5 | 58001190 | 4 | M3 X 0.5 X 8 HX-SHCS | |



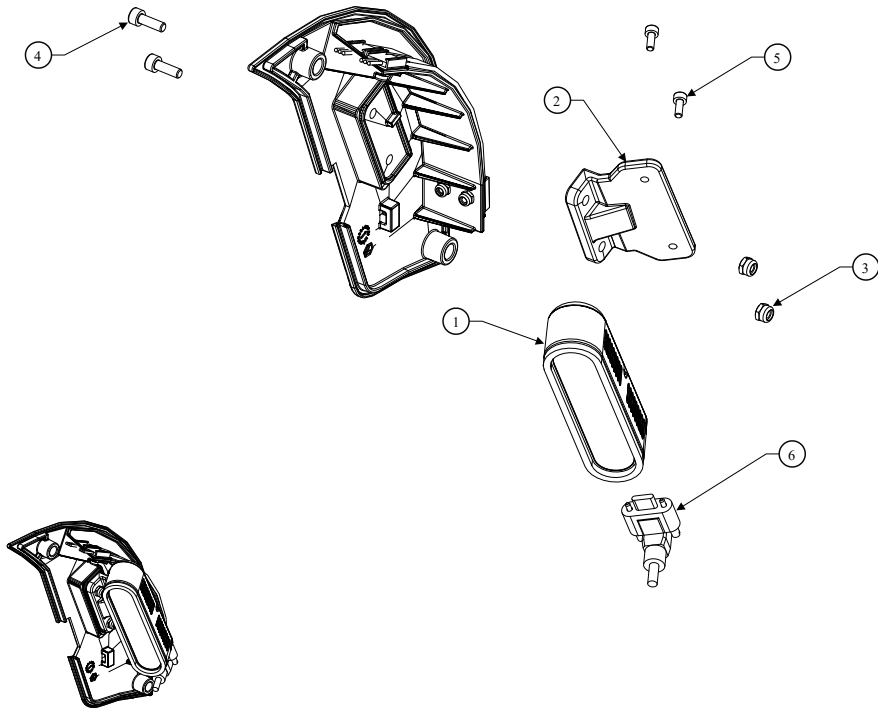
RIGHT WIRE CHANNEL COVER ASM

SC25

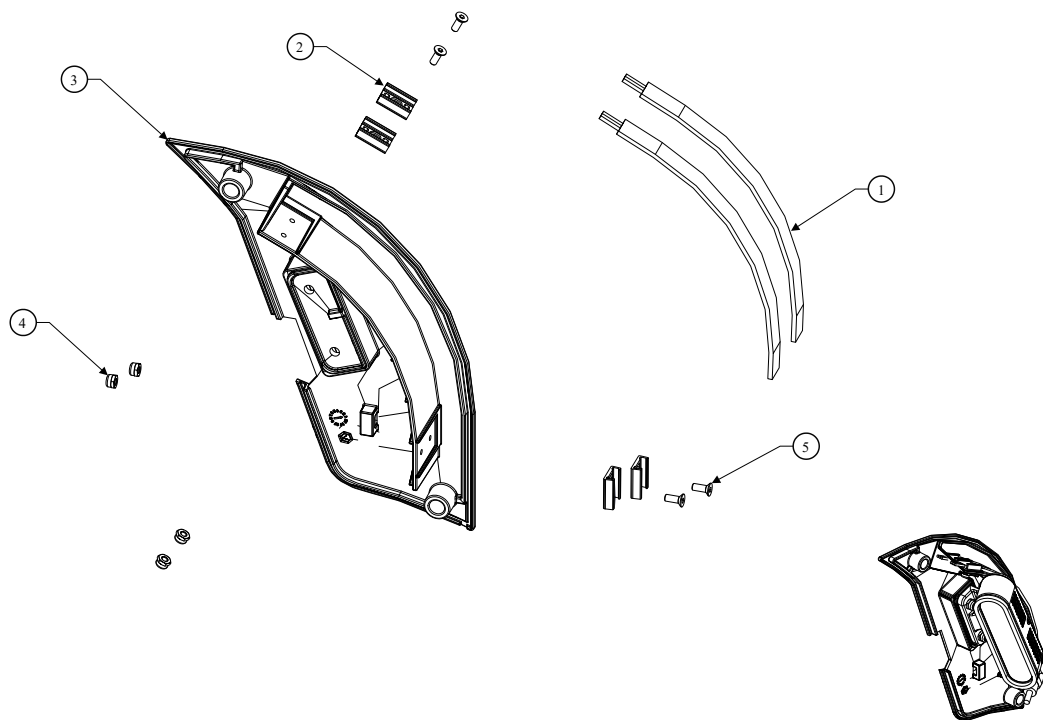
2024.09.25

2025.08.01

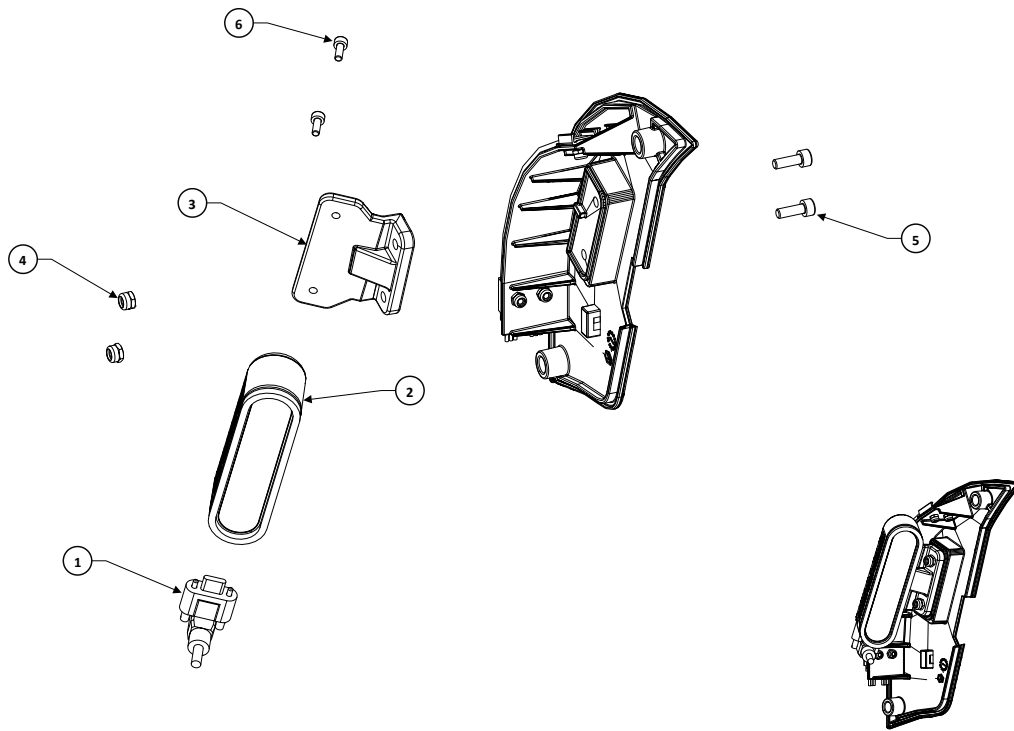
| Pos. | Artikel-Nr. | Menge | Variante | Notes |
|-------------|--------------------|--------------|--------------------------|--------------|
| 1 | 58001338 | 2 | O RING D22 X T1.5 | |
| 2 | 58001238 | 2 | SONAR SENSOR | |
| 3 | 58001545 | 1 | RIGHT WIRE CHANNEL COVER | |
| 4 | 58001190 | 4 | M3 X 0.5 X 8 HX-SHCS | |
| 5 | 58001442 | 1 | GASKET EG2 PROFILE 380MM | |



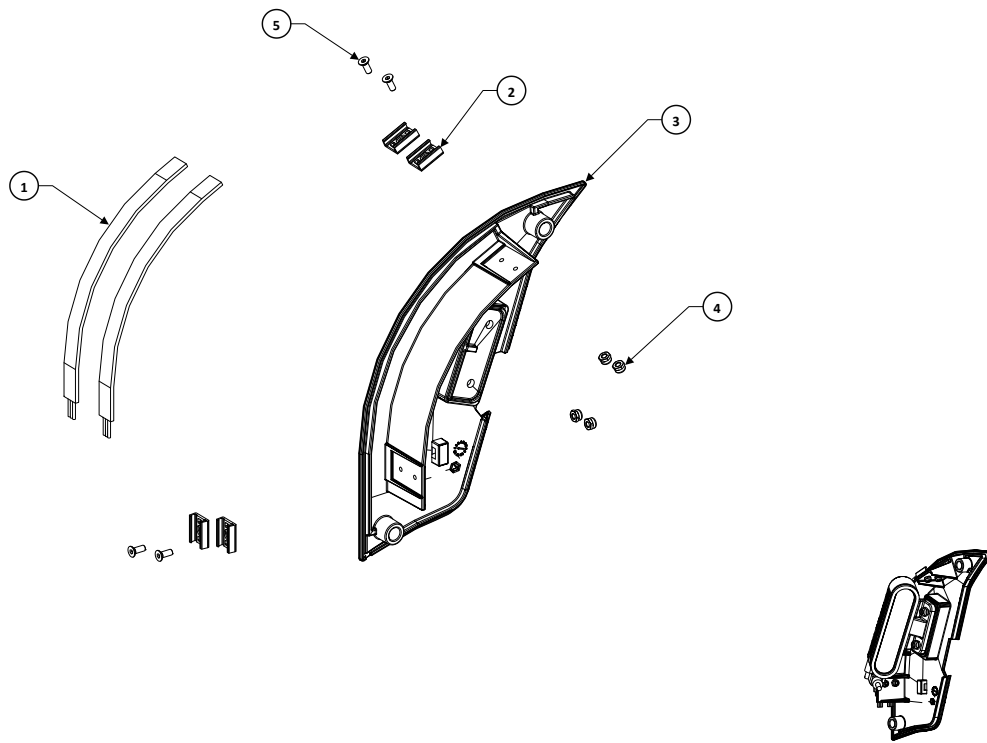
| Pos. | Artikel-Nr. | Menge | Variante | Notes |
|-------------|--------------------|--------------|---------------------------------|--------------|
| 1 | 58001213 | 1 | GASKETTED DEPTH CAMERA | |
| 2 | 58001176 | 1 | LEFT DEPTH CAMERA ADAPTER | |
| 3 | 58001193 | 2 | M4 LOCKNUT | |
| 4 | 58001198 | 2 | M4 X 0.7 X 16 HX-SHCS | |
| 5 | 58001190 | 2 | M3 X 0.5 X 8 HX-SHCS | |
| 6 | 58001443 | 1 | 90DEGREE DEPTH CAMERA WIRE 1.2M | |



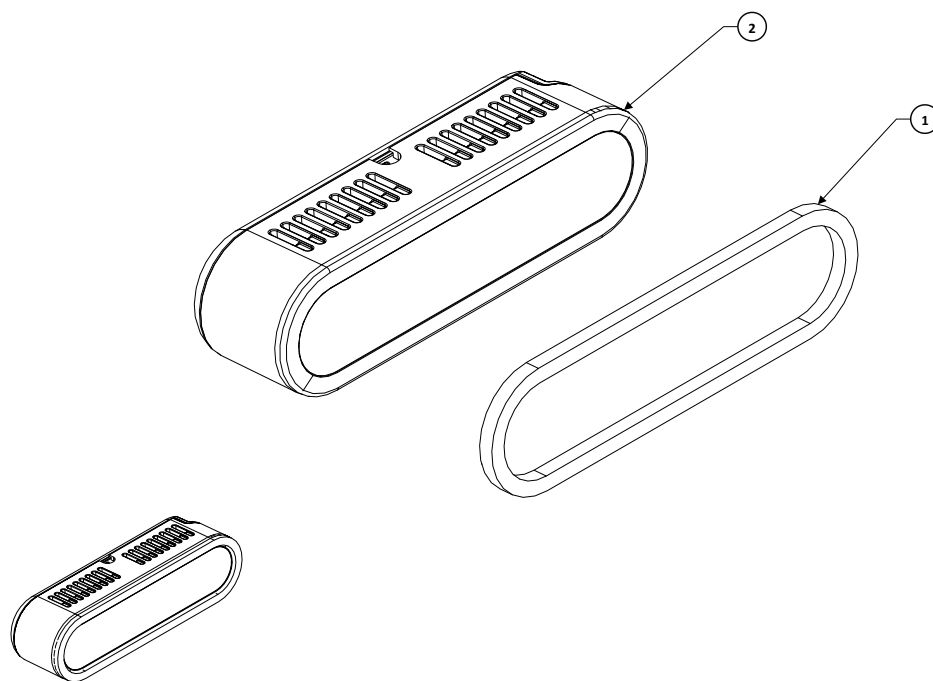
| Pos. | Artikel-Nr. | Menge | Variante | Notes |
|-------------|--------------------|--------------|------------------------|--------------|
| 1 | 58001444 | 2 | LED STRIP L0.15M 24V | |
| 2 | 58001431 | 4 | LED STRIP CLIP | |
| 3 | 58001177 | 1 | LEFT DEPTH CAMERA BASE | |
| 4 | 58001182 | 4 | M3 LOCKNUT | |
| 5 | 58001189 | 4 | M3 X 0.5 X 8 HX-FHCS | |



| Pos. | Artikel-Nr. | Menge | Variante | Notes |
|------|-------------|-------|---------------------------------|-------|
| 1 | 58001443 | 1 | 90DEGREE DEPTH CAMERA WIRE 1.2M | |
| 2 | 58001213 | 1 | GASKETTED DEPTH CAMERA | |
| 3 | 58001542 | 1 | RIGHT DEPTH CAMERA ADAPTER | |
| 4 | 58001193 | 2 | M4 LOCKNUT | |
| 5 | 58001198 | 2 | M4 X 0.7 X 16 HX-SHCS | |
| 6 | 58001190 | 2 | M3 X 0.5 X 8 HX-SHCS | |



| Pos. | Artikel-Nr. | Menge | Variante | Notes |
|------|-------------|-------|-------------------------|-------|
| 1 | 58001444 | 2 | LED STRIP L0.15M 24V | |
| 2 | 58001431 | 4 | LED STRIP CLIP | |
| 3 | 58001543 | 1 | RIGHT DEPTH CAMERA BASE | |
| 4 | 58001182 | 4 | M3 LOCKNUT | |
| 5 | 58001189 | 4 | M3 X 0.5 X 8 HX-FHCS | |



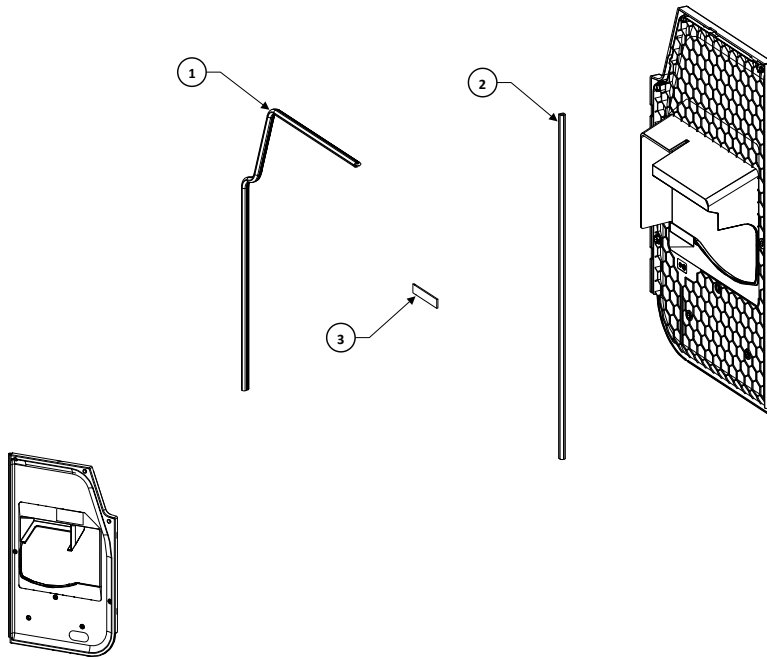
GASKETTED DEPTH CAMERA

SC25

2024.09.19

2024.09.26

| Pos. | Artikel-Nr. | Menge | Variante | Notes |
|------|-------------|-------|---------------------|-------|
| 1 | 58001468 | 1 | DEPTH CAMERA GASKET | |
| 2 | 58001445 | 1 | R30S WIRE HARNESS 2 | |



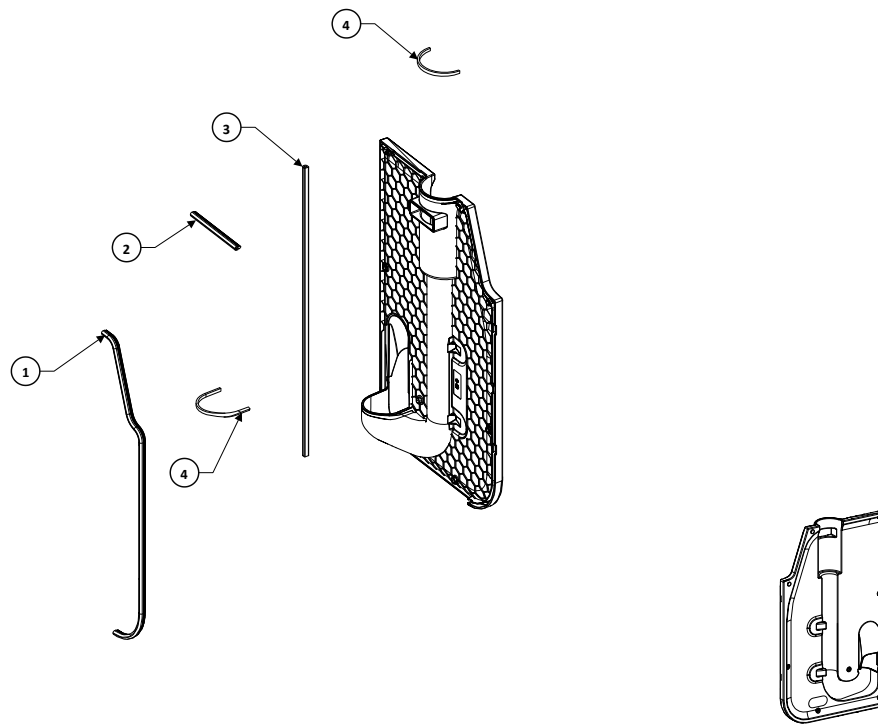
TANK LEFT COVER ASM

SC25

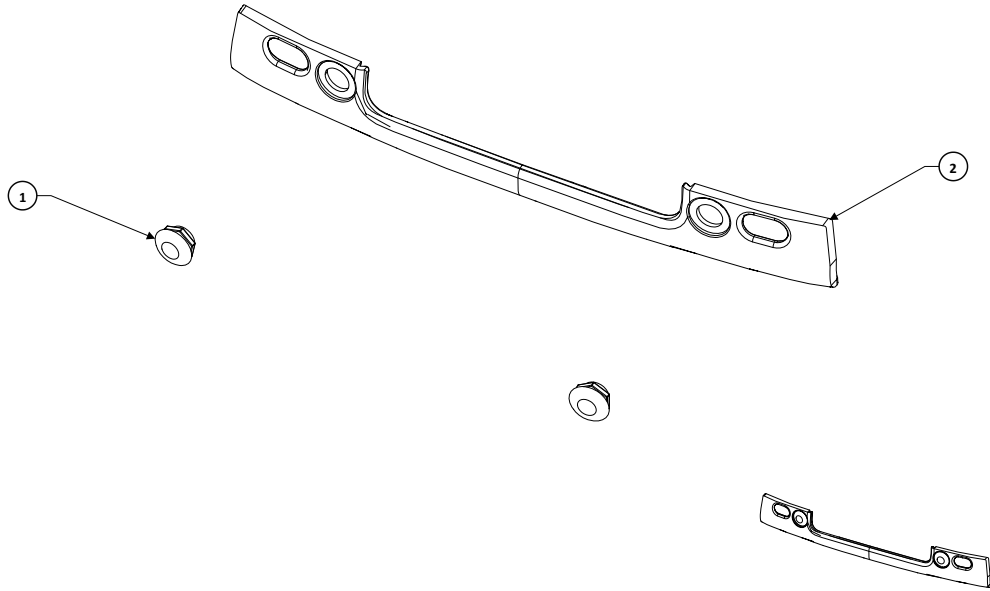
2024.09.19

2025.08.01

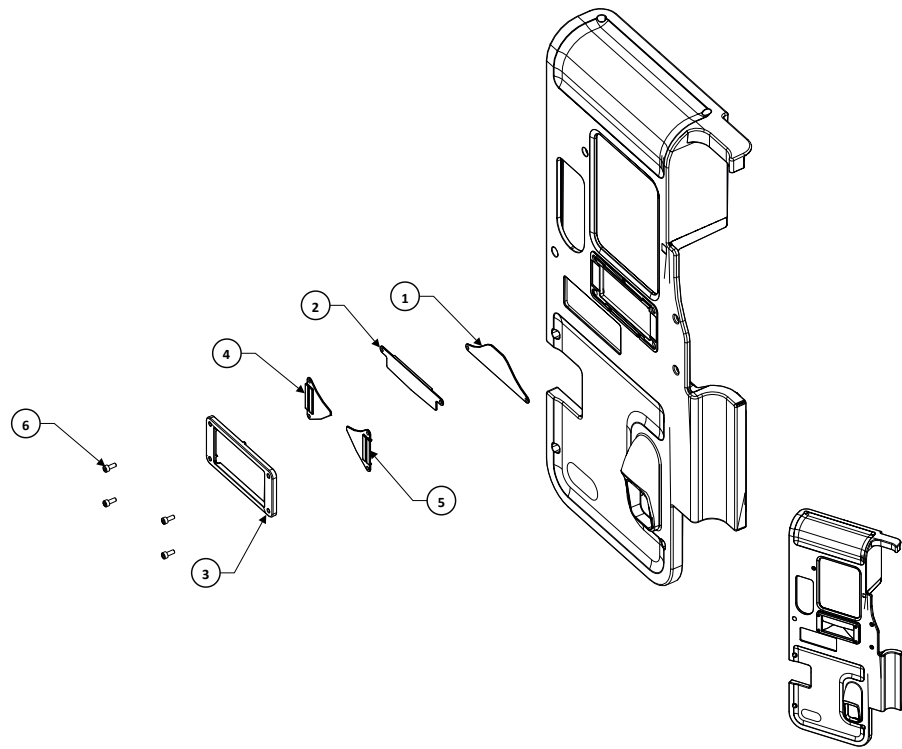
| Pos. | Artikel-Nr. | Menge | Variante | Notes |
|-------------|--------------------|--------------|--|--------------|
| 1 | 58001446 | 1 | GASKET EG1 PROFILE 715MM | |
| 2 | 58001165 | 1 | FOAM ADHESIVE SEALING (3M) 9X6MM BLK L1M | |
| 3 | 58001123 | 1 | TANK LEFT COVER GASKET | |



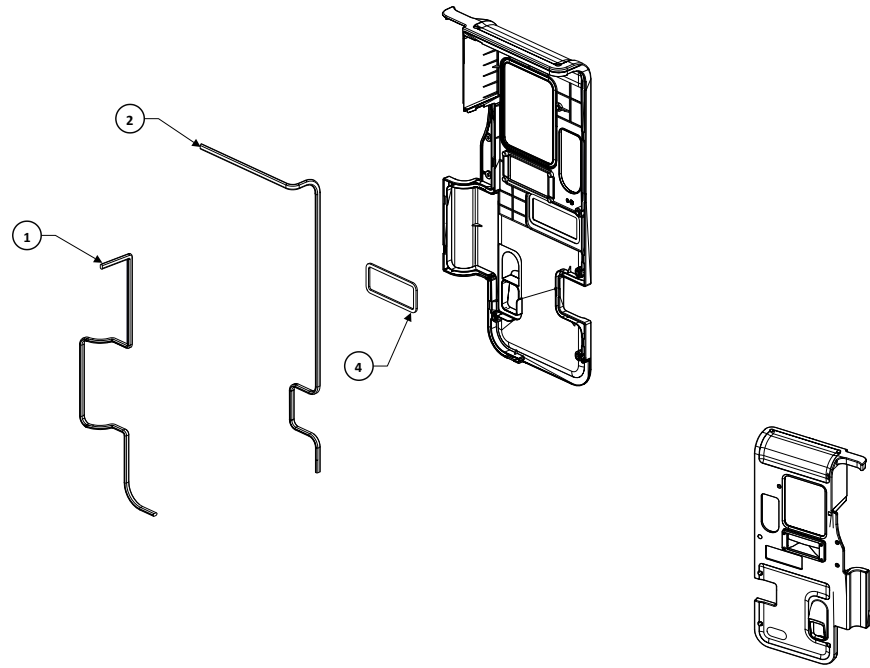
| Pos. | Artikel-Nr. | Menge | Variante | Notes |
|------|-------------|-------|--|-------|
| 1 | 58001447 | 1 | GASKET EG1 PROFILE 625MM | |
| 2 | 58001448 | 1 | GASKET EG1 PROFILE 122MM | |
| 3 | 58001165 | 1 | FOAM ADHESIVE SEALING (3M) 9X6MM BLK L1M | |
| 4 | 58001124 | 1 | TANK RIGHT COVER GASKET | |



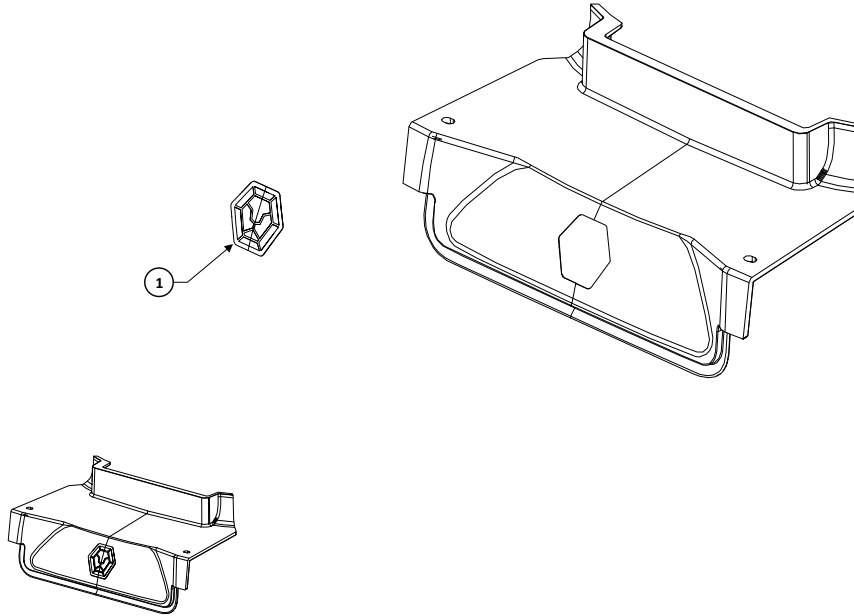
| Pos. | Artikel-Nr. | Menge | Variante | Notes |
|------|-------------|-------|----------------------------|----------------------------|
| 1 | 58001482 | 2 | BUTTON LATCH | BUTTON LATCH |
| 2 | 58001481 | 1 | LOWER BODY TOF SONAR COVER | LOWER BODY TOF/SONAR COVER |



| Pos. | Artikel-Nr. | Menge | Variante | Notes |
|-------------|--------------------|--------------|-------------------------|--------------|
| 1 | 58001148 | 1 | DOCKING BOTTOM FLAP | |
| 2 | 58001147 | 1 | DOCKIG TOP FLAP | |
| 3 | 58001153 | 1 | DOCKING FLAP FRAME | |
| 4 | 58001154 | 1 | DOCKING LEFT SIDE FLAP | |
| 5 | 58001155 | 1 | DOCKING RIGHT SIDE FLAP | |
| 6 | 58001195 | 4 | M4 X 0.7 X 10 HX-SHCS | |



| Pos. | Artikel-Nr. | Menge | Variante | Notes |
|------|-------------|-------|--------------------------|-------|
| 1 | 58001449 | 1 | GASKET EG1 PROFILE 750MM | |
| 2 | 58001450 | 1 | GASKET EG1 PROFILE 910MM | |
| 4 | 58001451 | 1 | REAR COVER GASKET | |



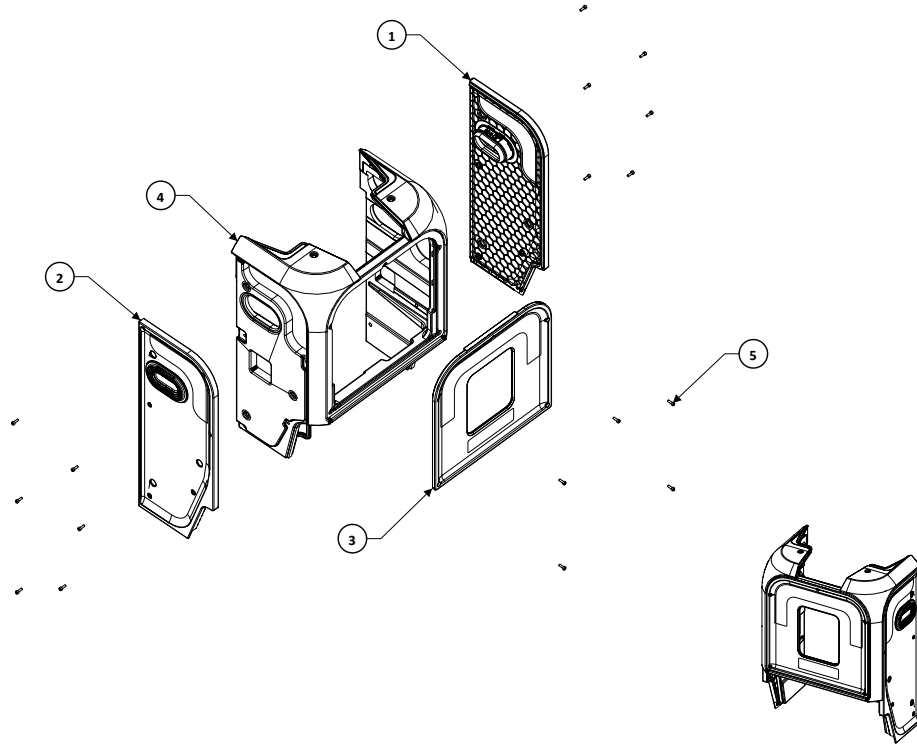
LOWER BODY ECU COVER WITH STICKER

SC25

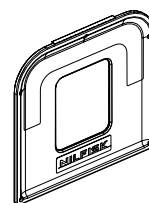
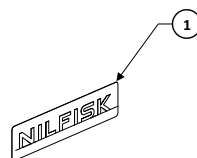
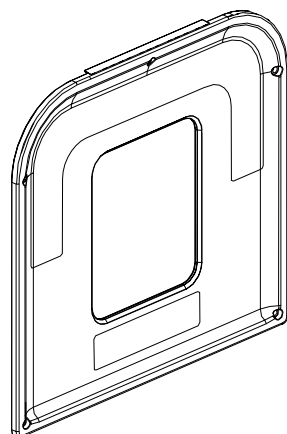
2025.07.22

2025.07.30

| Pos. | Artikel-Nr. | Menge | Variante | Notes |
|-------------|--------------------|--------------|--------------------------------|--------------|
| 1 | 58001181 | 1 | LIONSBOT LOGO METALLIC STICKER | |



| Pos. | Artikel-Nr. | Menge | Variante | Notes |
|-------------|--------------------|--------------|---------------------------------|--------------|
| 1 | 58001323 | 1 | GASKETED FACADE LEFT PANEL KIT | |
| 2 | 58001324 | 1 | GASKETED FACADE RIGHT PANEL KIT | |
| 3 | 58001325 | 1 | FACADE TOP PANEL W STICKER KIT | |
| 4 | 58001330 | 1 | GASKETTED MAIN FACADE ASM | |
| 5 | 58001197 | 17 | M4 X 0.7 X 12 HX-SHCS | |



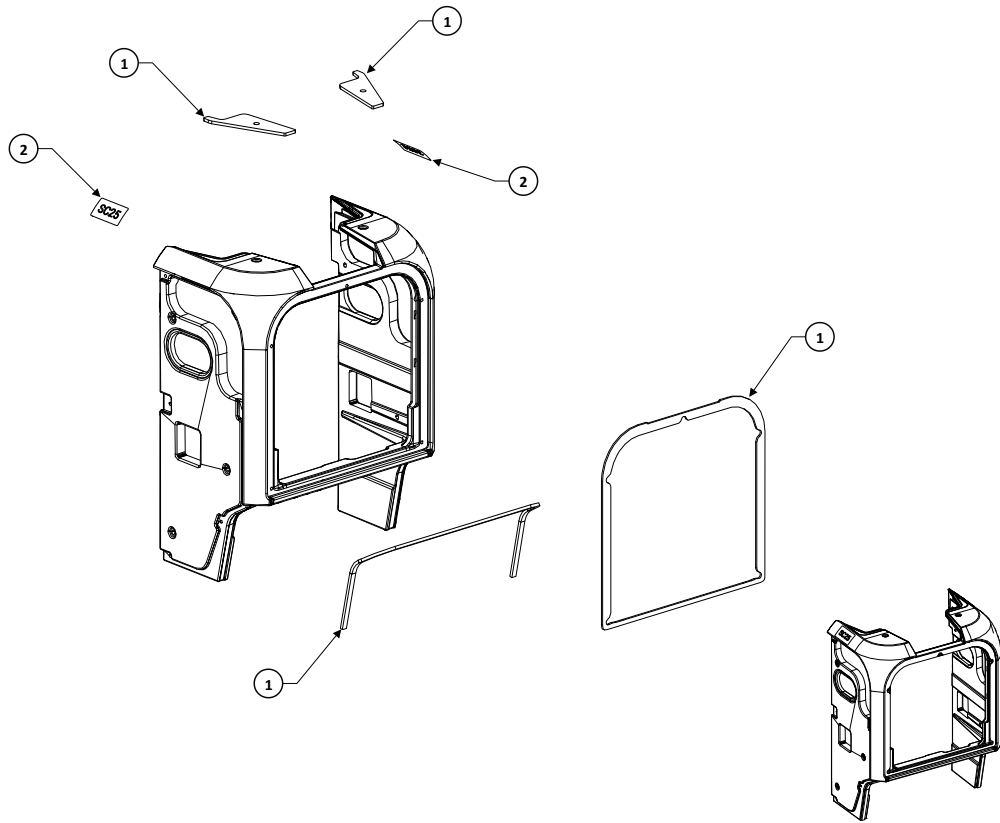
FACADE TOP PANEL WITH STICKER

SC25

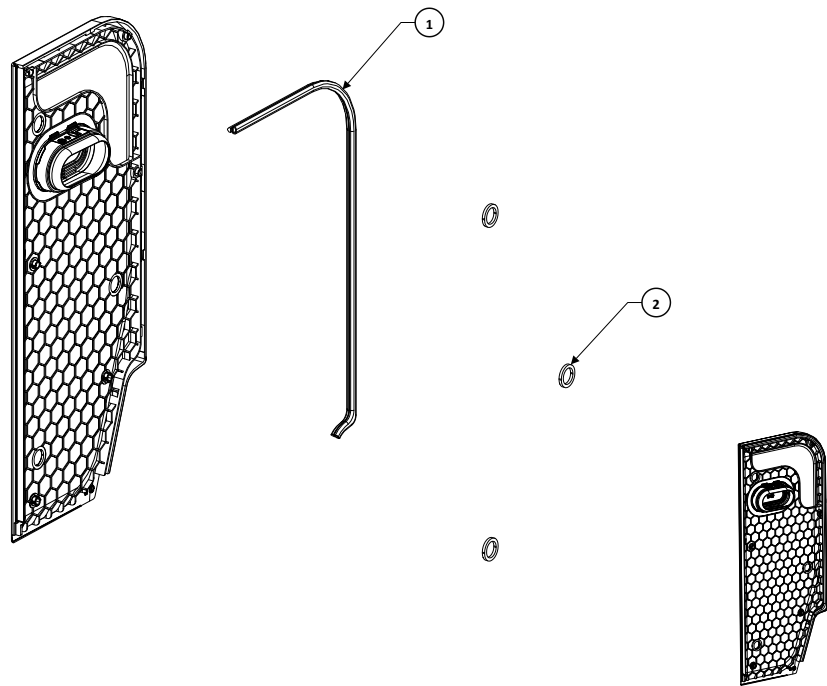
2025.07.22

2025.07.30

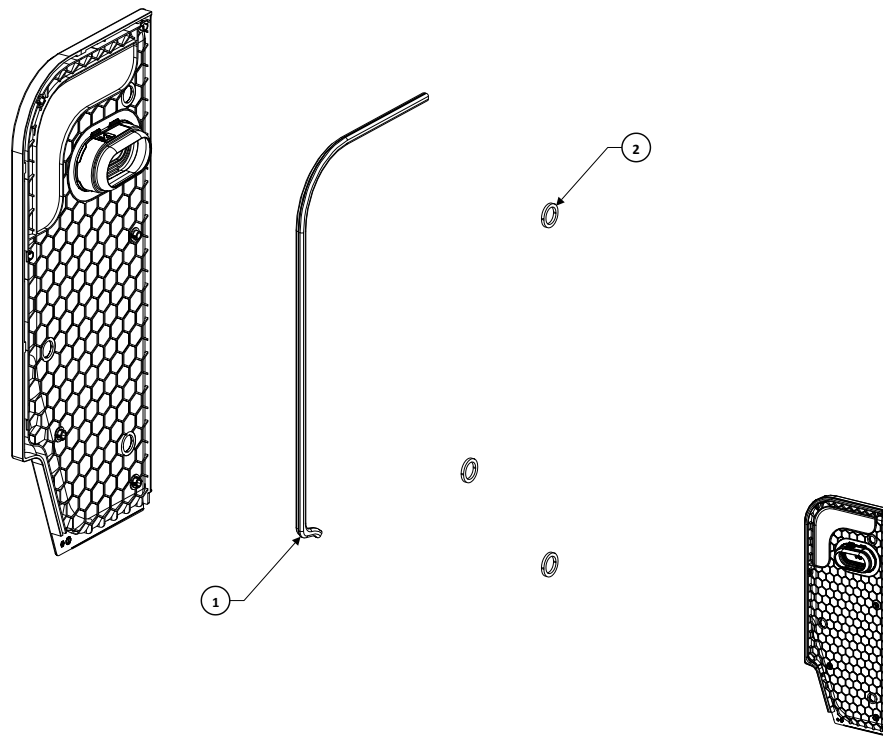
| Pos. | Artikel-Nr. | Menge | Variante | Notes |
|-------------|--------------------|--------------|-----------------|--------------|
| 1 | 58001546 | 1 | ROBOT LABEL | |



| Pos. | Artikel-Nr. | Menge | Variante | Notes |
|-------------|--------------------|--------------|--------------------|--------------|
| 1 | 58001452 | 1 | EBOX FACADE GASKET | |
| 2 | 58001103 | 1 | SC25 LABEL SHEET 1 | |



| Pos. | Artikel-Nr. | Menge | Variante | Notes |
|-------------|--------------------|--------------|--------------------------|--------------|
| 1 | 58001453 | 1 | GASKET EG1 PROFILE 610MM | |
| 2 | 58001454 | 3 | EBOX FACADE PANEL GASKET | |



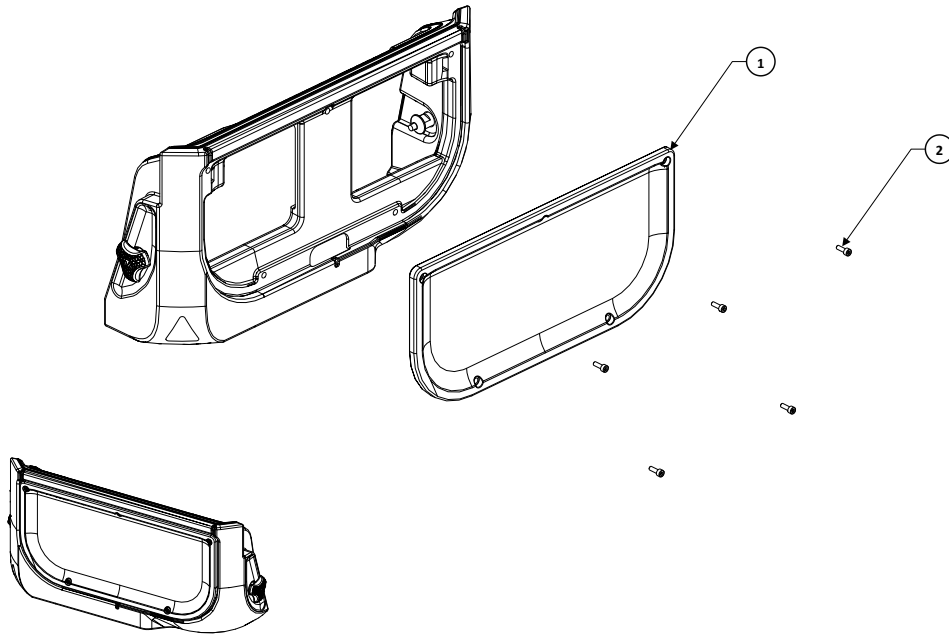
Gasketed Facade Right Panel ASM

SC25

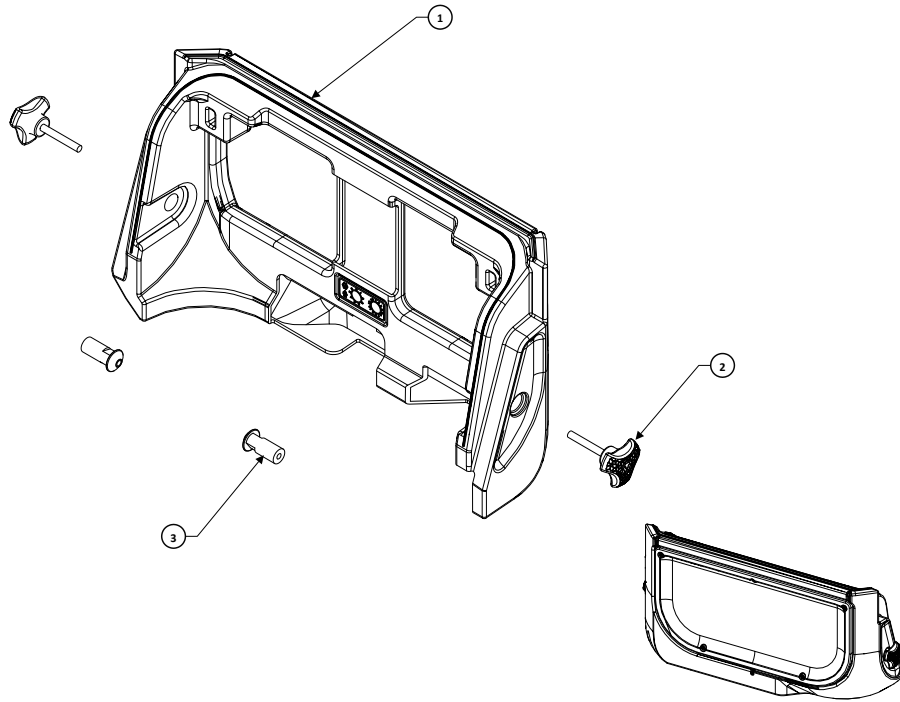
2024.09.19

2024.09.26

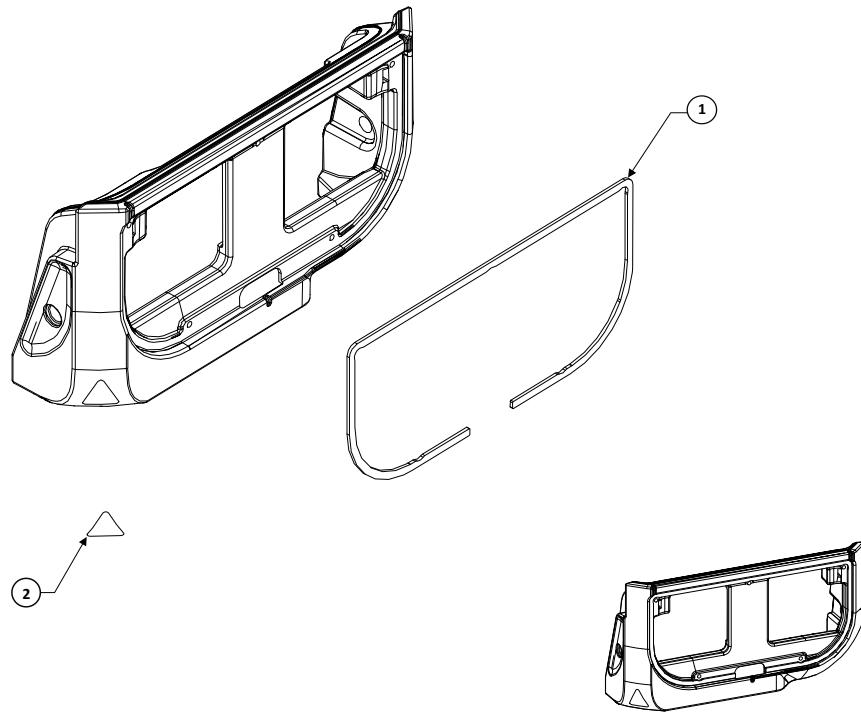
| Pos. | Artikel-Nr. | Menge | Variante | Notes |
|-------------|--------------------|--------------|--------------------------|--------------|
| 1 | 58001453 | 1 | GASKET EG1 PROFILE 610MM | |
| 2 | 58001454 | 3 | EBOX FACADE PANEL GASKET | |



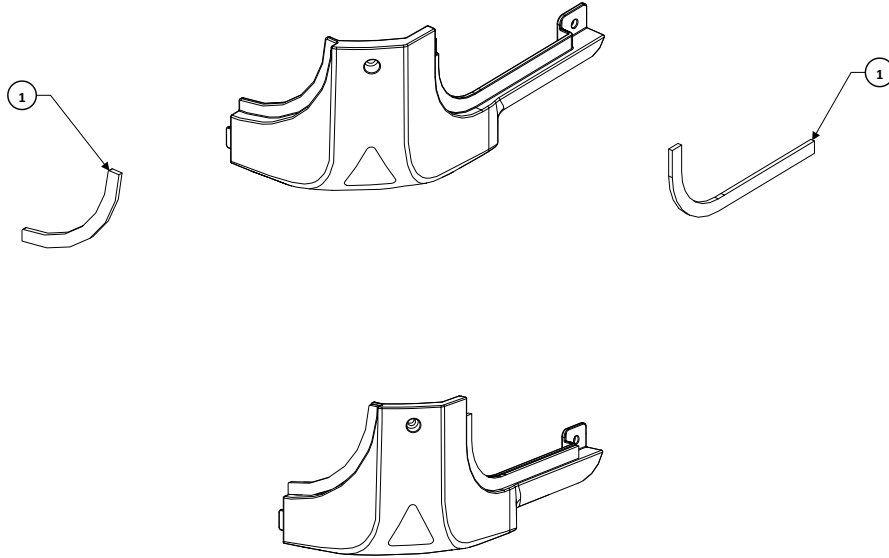
| Pos. | Artikel-Nr. | Menge | Variante | Notes |
|-------------|--------------------|--------------|-----------------------|--------------|
| 1 | 58001163 | 1 | FACADE BATTERY PANEL | |
| 2 | 58001197 | 5 | M4 X 0.7 X 12 HX-SHCS | |



| Pos. | Artikel-Nr. | Menge | Variante | Notes |
|-------------|--------------------|--------------|-------------------------------------|--------------|
| 1 | 58001331 | 1 | GASKETTED BATTERY ACCESS FACADE ASM | |
| 2 | 58001455 | 2 | FACADE KNOB | |
| 3 | 58001456 | 2 | FACADE KNOB STOPPER | |



| Pos. | Artikel-Nr. | Menge | Variante | Notes |
|-------------|--------------------|--------------|-----------------------|--------------|
| 1 | 58001457 | 1 | BATTERY FACADE GASKET | |
| 2 | 58001578 | 1 | WARNING LABEL | |



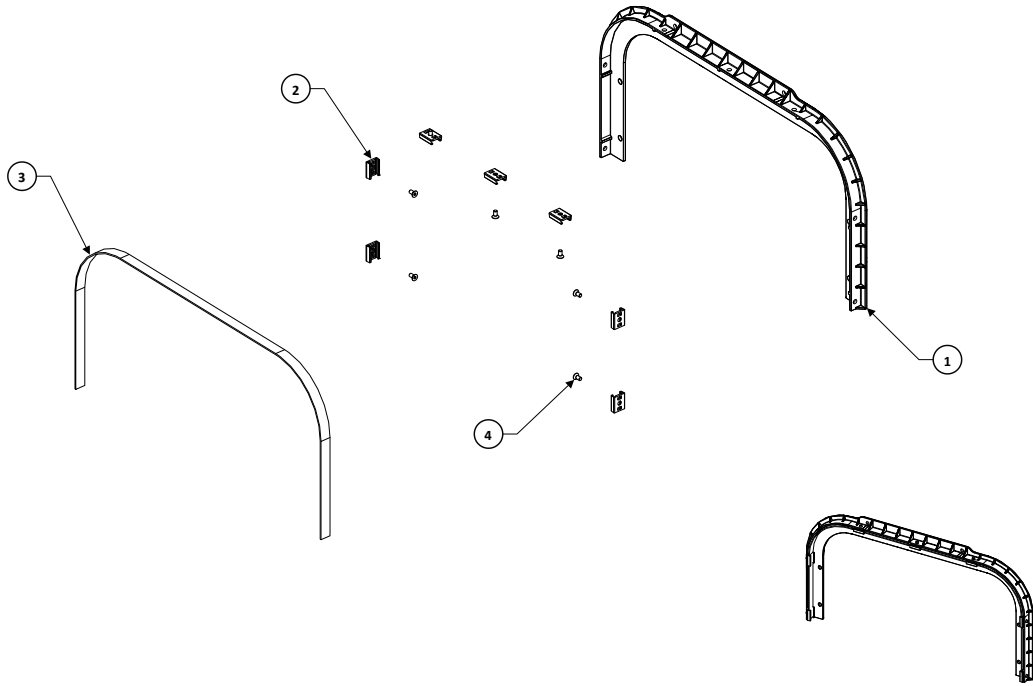
Gasketed Rear Lidar Cover

SC25

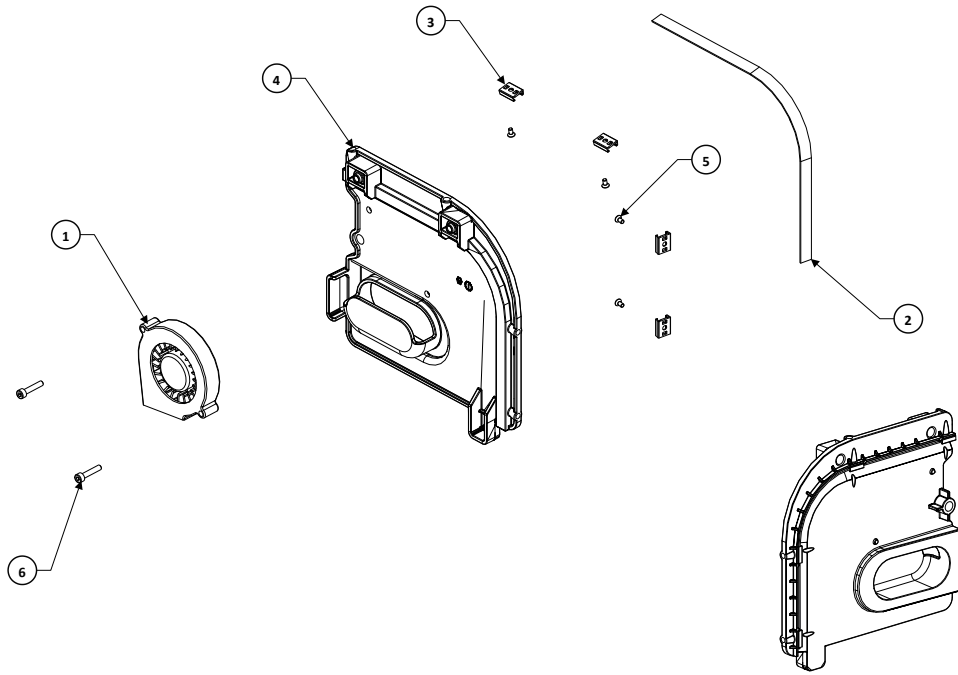
2024.09.19

2024.09.26

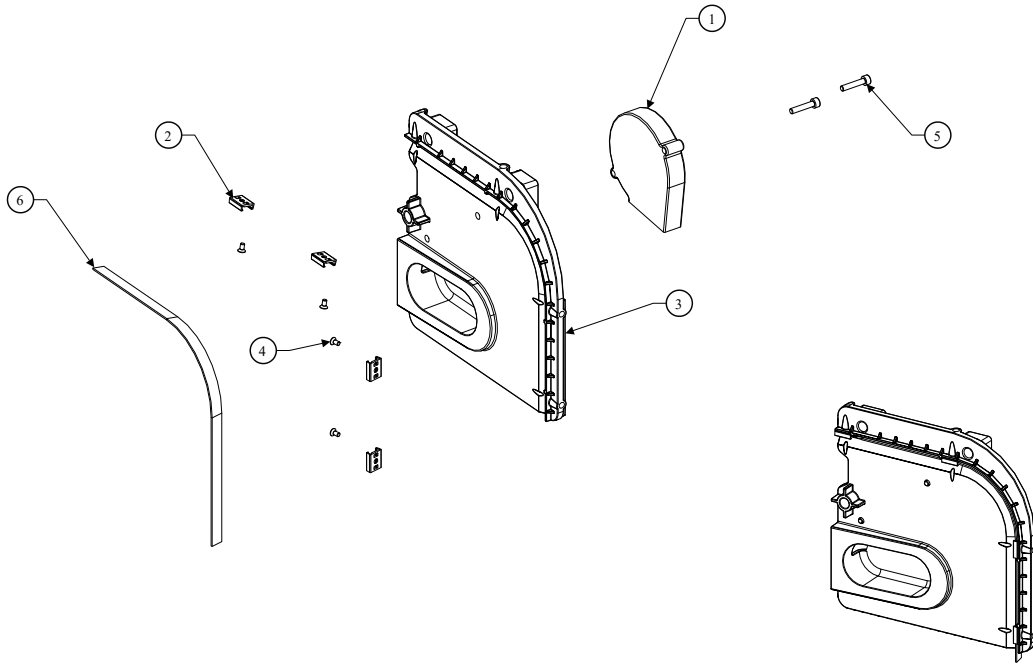
| Pos. | Artikel-Nr. | Menge | Variante | Notes |
|-------------|--------------------|--------------|-------------------------|--------------|
| 1 | 58001458 | 1 | REAR LIDAR COVER GASKET | |



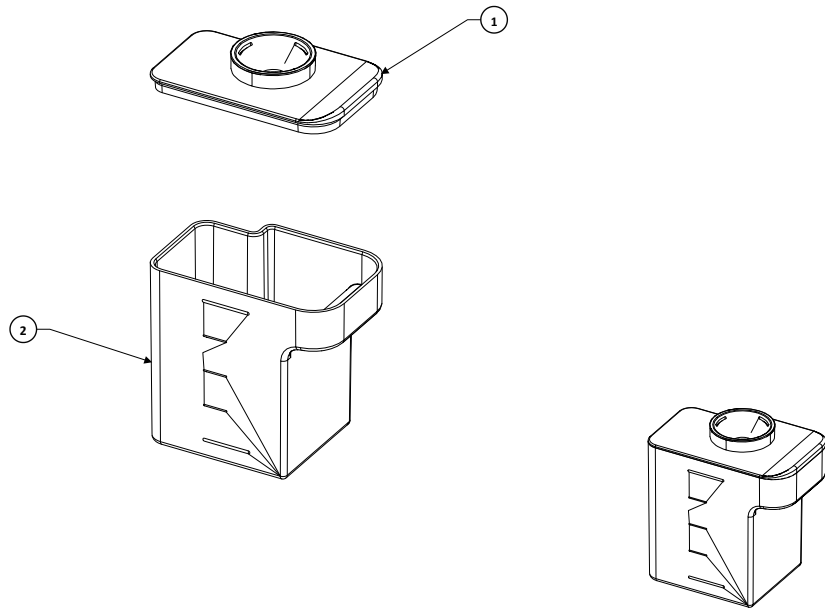
| Pos. | Artikel-Nr. | Menge | Variante | Notes |
|------|-------------|-------|----------------------|-------|
| 1 | 58001167 | 1 | FRONT LED MOUNT | |
| 2 | 58001431 | 7 | LED STRIP CLIP | |
| 3 | 58001459 | 1 | LED STRIP L0.55M 24V | |
| 4 | 58001187 | 7 | M3 X 0.5 X 6 HX-FHCS | |



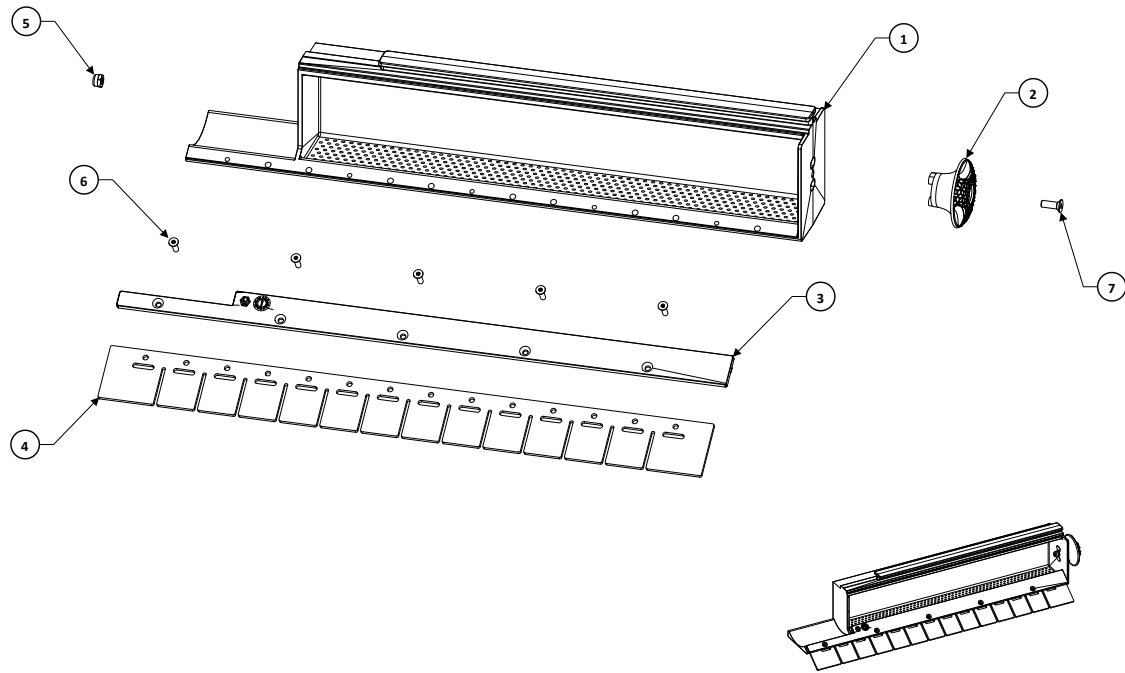
| Pos. | Artikel-Nr. | Menge | Variante | Notes |
|------|-------------|-------|-----------------------|-------|
| 1 | 58001460 | 1 | CENTRIFUGAL FAN | |
| 2 | 58001461 | 1 | LED STRIP L0.3M 24V | |
| 3 | 58001431 | 4 | LED STRIP CLIP | |
| 4 | 58001178 | 1 | LEFT VENT MOUNT | |
| 5 | 58001187 | 4 | M3 X 0.5 X 6 HX-FHCS | |
| 6 | 58001199 | 2 | M4 X 0.7 X 20 HX-SHCS | |



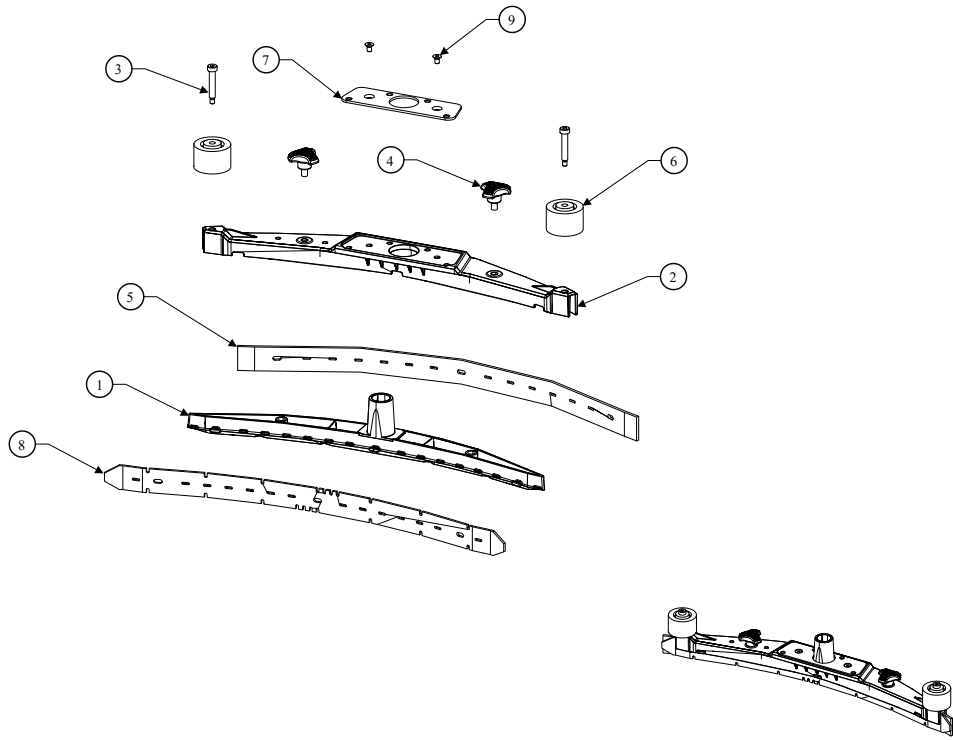
| Pos. | Artikel-Nr. | Menge | Variante | Notes |
|------|-------------|-------|-----------------------|-------|
| 1 | 58001460 | 1 | CENTRIFUGAL FAN | |
| 2 | 58001431 | 4 | LED STRIP CLIP | |
| 3 | 58001544 | 1 | RIGHT VENT MOUNT | |
| 4 | 58001187 | 4 | M3 X 0.5 X 6 HX-FHCS | |
| 5 | 58001199 | 2 | M4 X 0.7 X 20 HX-SHCS | |
| 6 | 58001461 | 1 | LED STRIP L0.3M 24V | |



| Pos. | Artikel-Nr. | Menge | Variante | Notes |
|-------------|--------------------|--------------|-------------------|--------------|
| 1 | 58001029 | 1 | CHEMICAL TANK LID | |
| 2 | 58001028 | 1 | CHEMICAL TANK | |



| Pos. | Artikel-Nr. | Menge | Variante | Notes |
|-------------|--------------------|--------------|-----------------------|--------------|
| 1 | 58001032 | 1 | DEBRIS HOPPER | |
| 2 | 58001036 | 1 | HANDLE | |
| 3 | 58001462 | 1 | RUBBER FLAP CLAMP | |
| 4 | 58001232 | 1 | RUBBER FLAP | |
| 5 | 58001193 | 1 | M4 LOCKNUT | |
| 6 | 58001183 | 5 | M3 X 0.5 X 10 HX-FHCS | |
| 7 | 58001196 | 1 | M4 x 0.7 x 12 HX-FHCS | |



| Pos. | Artikel-Nr. | Menge | Variante | Notes |
|------|-------------|-------|--------------------------|-------|
| 1 | 58001463 | 1 | SQUEEGEE CARTRIDGE | |
| 2 | 58001119 | 1 | SQUEEGEE MAIN MOUNT | |
| 3 | 58001112 | 2 | SHOULDER BOLT, M6 | |
| 4 | 58001464 | 2 | KNOB | |
| 5 | 58001224 | 1 | BLADE SQUEEGEE REAR GUM | |
| 6 | 58001465 | 2 | WHEEL OD50MM | |
| 7 | 58001050 | 1 | MAGNET PLATE | |
| 8 | 58001222 | 1 | BLADE SQUEEGEE FRONT GUM | |
| 9 | 58001046 | 2 | M6 X 1.0 X 10 HX-FHCS | |

WIRE HARNESS LIST

WIRE HARNESS LIST

SC25

2025.08.01

2025.08.01

| Pos. | Artikel-Nr. | Menge | Variante | Notes |
|------|-------------|-------|--|-------|
| 1 | 58001507 | | R3OS27, LIMIT SWITCH FOR SIDE BRUSH LEFT | |
| 1 | 58001508 | | R3OS28 LIMIT SWITCH FOR SIDE BRUSH RIGHT | |
| 1 | 58001509 | | R3OS29 LIMIT SWITCH | |
| 1 | 58001074 | | R3OS30 LIMIT SWITCH FOR SQUEEGEE U | |
| 1 | 58001075 | | R3OS31 LIMIT SWITCH FOR SQUEEGEE D | |
| 1 | 58001083 | | R3OS58 SC25 | |
| 1 | 58001520 | | R3OS59 TRACTION DRIVER LR | |
| 1 | 58001396 | | R3OS60 TRACTION DRIVER | |
| 1 | 58001088 | | R3OS87, FLOAT SWITCH CLEAN WATER TANK 0 | |
| 1 | 58001089 | | R3OS88 FLOAT SWITCH CLEAN WTANK 100 | |
| 1 | 58001092 | | R3OS90, FLOAT SWITCH RECOVERY TANK 0 | |
| 1 | 58001093 | | R3OS91, FLOAT SWITCH RECOVERY TANK 50 | |
| 1 | 58001094 | | R3OS92, FLOAT SWITCH RECOVERY TANK 100 | |
| 1 | 58001095 | | R3OS97, SQUEEGEE LIMIT SWITCH LEFT | |
| 1 | 58001096 | | R3OS98, SQUEEGEE LIMIT SWITCH RIGHT | |
| 1 | 58001063 | | R3OS118 SC25 | |
| 1 | 58001064 | | R3OS119 BOTTOM ECU TO SQUEEGEE LR | |
| 1 | 58001065 | | R3OS122, MANUAL CHARGE EXTENSION | |
| 1 | 58001081 | | R3OS47, PDB P8 | |
| 1 | 58001497 | | R3OS124 VOLTAGE REGULATOR | |
| 1 | 58001498 | | R3OS125, PDB BATT | |
| 1 | 58001107 | | SC25, BRUSH DRIVER CAN CABLE | |
| 1 | 58001108 | | SC25, SONAR BOARD 1 CAN CABLE | |
| 1 | 58001552 | | SC25, DEPTH CAMERA WIRE, RIGHT | |
| 2 | 58001551 | | SC25, DEPTH CAMERA WIRE, LEFT | |
| 2 | 58001550 | | SC25, DEPTH CAMERA WIRE, FRONT TOP | |
| 2 | 58001549 | | SC25, DEPTH CAMERA WIRE, FRONT MIDDLE | |
| 2 | 58001466 | | DEPTH CAMERA WIRE FRONT BOTTOM | |
| 2 | 58001491 | | R3OS100 LIMIT SWITCH TML | |
| 2 | 58001492 | | R3OS101 LIMIT SWITCH TMR | |
| 2 | 58001495 | | R3OS120 TOUCH FRONT LEFT SONAR | |
| 2 | 58001496 | | R3OS12 RIGHT BACK LIDAR SLIT SONAR | |
| 2 | 58001066 | | R3OS123 SC25 | |
| 2 | 58001499 | | R3OS127 LEVEL SHIFTER BOARD | |
| 2 | 58001554 | | SC25, LIDAR FRONT POWER CABLE | |
| 2 | 58001555 | | SC25, LIDAR FRONT SIGNAL CABLE | |
| 2 | 58001556 | | SC25, LIDAR REAR POWER CABLE | |
| 2 | 58001557 | | SC25, LIDAR REAR SIGNAL CABLE | |
| 2 | 58001558 | | SC25, ROUTER WIFI EXTENSION CABLE | |
| 2 | 58001553 | | SC25, LED BOARD USB CABLE | |
| 2 | 58001395 | | SC25 NETWORK SWITCH LAN CABLE | |
| 2 | 58001397 | | SC25 ROUTER LAN CABLE | |
| 2 | 58001057 | | R3OS WIRE HARNESS 1 | |
| 2 | 58001445 | | R3OS WIRE HARNESS 2 | |
| 2 | 58001058 | | R3OS WIRE HARNESS 3 | |
| 2 | 58001479 | | R3OS WIRE HARNESS 4 | |
| 2 | 58001480 | | R3OS WIRE HARNESS 5 | |
| 2 | 58001059 | | R3OS WIRE HARNESS 6 | |
| 2 | 58001060 | | R3OS WIRE HARNESS 7 | |
| 3 | 58001061 | | R3OS WIRE HARNESS 8 | |
| 3 | 58001062 | | R3OS WIRE HARNESS 9 | |
| 3 | 58001109 | | SC25, SONAR BOARD 2 CAN CABLE | |
| 3 | 58001133 | | AUDIO CABLE | |
| 3 | 58001398 | | USB A 3.0 TO USB B DATA CABLE | |
| 3 | 58001042 | | INDICATOR | |
| 3 | 58001130 | | WIFI EXTENSION CABLE | |
| 3 | 58001132 | | 4G EXTENSION CABLE | |
| 3 | 58001365 | | LIDAR SIGNAL CABLE | |
| 3 | 58001364 | | LIDAR POWER CABLE | |

WIRE HARNESS LIST

SC25

2025.08.01

2025.08.01

| Pos. | Artikel-Nr. | Menge | Variante | Notes |
|------|-------------|-------|--|-------|
| 3 | 58001114 | | SONAR BOARD CABLE | |
| 3 | 58001026 | | BRUSH MOTOR SIGNAL EXTENSION CABLE | |
| 3 | 58001490 | | R3OS1 CROWN SONAR | |
| 3 | 58001068 | | R3OS2 HANDLEBAR RIGHT SONAR | |
| 3 | 58001510 | | R3OS3 TOUCHSCREEN RIGHT SONAR | |
| 3 | 58001514 | | R3OS4 TOUCHSCREEN FRONT RIGHT SONAR | |
| 3 | 58001521 | | R3OS6 TOUCHSCREEN LEFT SONAR | |
| 3 | 58001527 | | R3OS7 HANDLEBAR LEFT SONAR | |
| 3 | 58001536 | | R3OS8 REAR SENSOR STACK SONAR | |
| 3 | 58001539 | | R3OS9 FRONT SENSOR STACK SONAR | |
| 3 | 58001493 | | R3OS11 RIGHT FRONT LIDAR SLIT SONAR | |
| 3 | 58001494 | | R3OS12 LEFT FRONT LIDAR SLIT SONAR | |
| 3 | 58001500 | | R3OS13 LEFT BACK LIDAR SLIT SONAR | |
| 3 | 58001502 | | R3OS14 RIGHT LOWER SKIRT SONAR | |
| 3 | 58001503 | | R3OS15 LEFT LOWER SKIRT SONAR | |
| 3 | 58001067 | | R3OS16 CLEAN TANK LEVEL SENSE SONAR | |
| 4 | 58001504 | | R3OS17 BOTTOM ECU TO SIDE BRUSH LEFT | |
| 4 | 58001505 | | R3OS18 BOTTOM ECU TO SIDE BRUSH RIGHT | |
| 4 | 58001069 | | R3OS20, BOTTOM ECU TO PUMPS | |
| 4 | 58001070 | | R3OS21 BOTTOM ECU TO SQUEEGEE ACTUATOR | |
| 4 | 58001097 | | R3OS99 BOTTOM ECU TO SQUEEGEE | |
| 4 | 58001071 | | R3OS22, BOTTOM ECU TO BALL VALVE(3-WAY) | |
| 4 | 58001506 | | R3OS24, BOTTOM ECU CAN TO PDB CAN | |
| 4 | 58001072 | | R3OS25 SC25 | |
| 4 | 58001073 | | R3OS26 BOTTOM ECU | |
| 4 | 58001511 | | R3OS32, TOP ECU CAN TO PDB CAN | |
| 4 | 58001076 | | R3OS33 SC25 | |
| 4 | | | R3OS34, TOP ECU TO BALL VALVE | |
| 4 | | | R3OS35, TOP ECU TO CHEMICAL LEVEL SENSOR | |
| 4 | | | R3OS36.1/36.2/36.3 TOP ECU FLOAT SEN | |
| 4 | 58001512 | | R3OS37, PDB / IPC | |
| 4 | 58001513 | | R3OS38 SPEAKER BOARD AND VR | |
| 4 | 58001077 | | R3OS39 SC25 | |
| 4 | 58001078 | | R3OS42 SC25 | |
| 4 | 58001079 | | R3OS43 SC25 | |
| 4 | 58001080 | | R3OS44, PDB / SWITCH | |
| 4 | 58001082 | | R3OS49.1, 49.2, PDB TO FANS | |
| 4 | 58001515 | | R3OS53, BUSBAR TO MCB LIVE | |
| 4 | 58001516 | | R3OS54, PDB TO CONTACTOR 1 LIVE | |
| 4 | 58001517 | | R3OS55, PDB TO CONTACTOR 2 LIVE | |
| 5 | 58001518 | | R3OS56, CONTACTOR 1 TO CONTACTOR 2 LIVE | |
| 5 | 58001519 | | R3OS57, PDB / E-STOP | |
| 5 | 58001084 | | R3OS61 SC25 | |
| 5 | 58001085 | | R3OS63.1/63.2 CROWN LED RIGHT | |
| 5 | 58001086 | | R3OS64.1/64.2 FRONT LED LEFT | |
| 5 | 58001523 | | R3OS65.1, LEFT STATUS LED | |
| 5 | 58001524 | | R3OS66, BRAKE EXTENSION | |
| 5 | 58001525 | | R3OS67, E-STOP EXTENSION | |
| 5 | 58001526 | | R3OS68, E-STOP FEEDBACK EXTENSION | |
| 5 | 58001528 | | R3OS70, INTERFACE RELAY TO CONTACTOR | |
| 5 | 58001529 | | R3OS71 LR LEVER SWITCH BRAKE LEVER WIRE | |
| 5 | 58001530 | | R3OS72, SPEAKER WIRE | |
| 5 | 58001531 | | R3OS73, HANDLEBAR GROUNDING WIRE | |
| 5 | 58001532 | | R3OS74 PDB TO RELAY 1/2 | |
| 5 | 58001533 | | R3OS76 LEVEL SHIFTER BOARD RELAY 1/2 | |
| 5 | 58001087 | | R3OS77 SC25 | |
| 5 | 58001534 | | R3OS78, RELAY 2 TO CONTACTOR 1 | |
| 5 | 58001535 | | R3OS79, RELAY 2 TO CONTACTOR 2 | |
| 5 | 58001537 | | R3OS80, CONTACTOR 2 TO RELAY 1/RELAY 2 | |

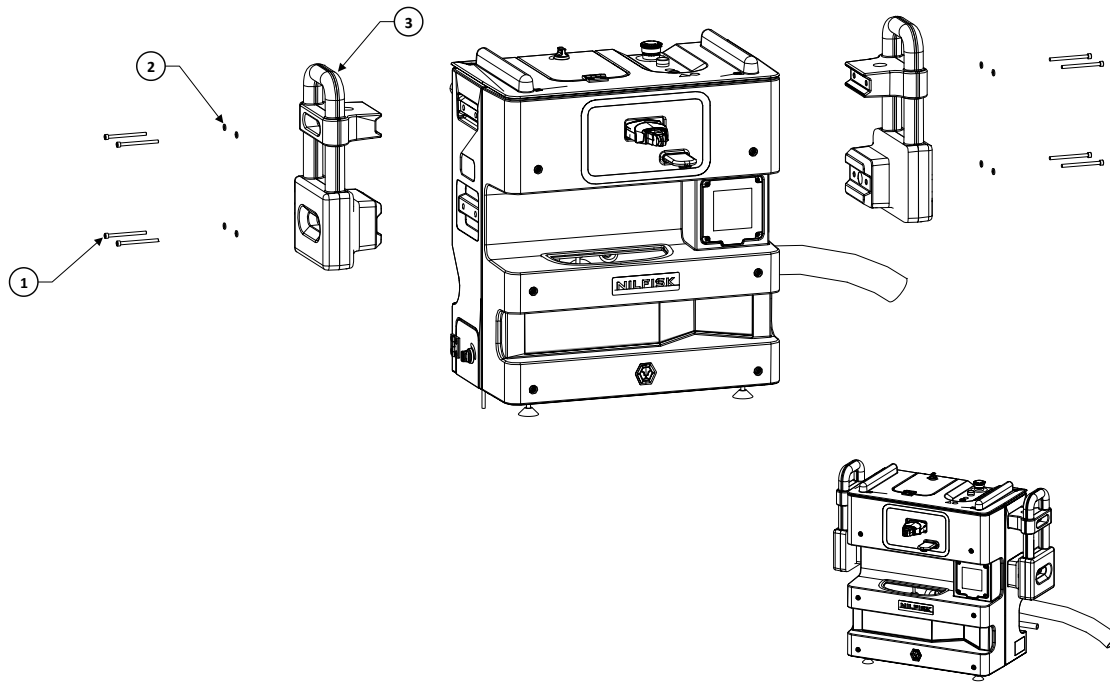
WIRE HARNESS LIST

SC25

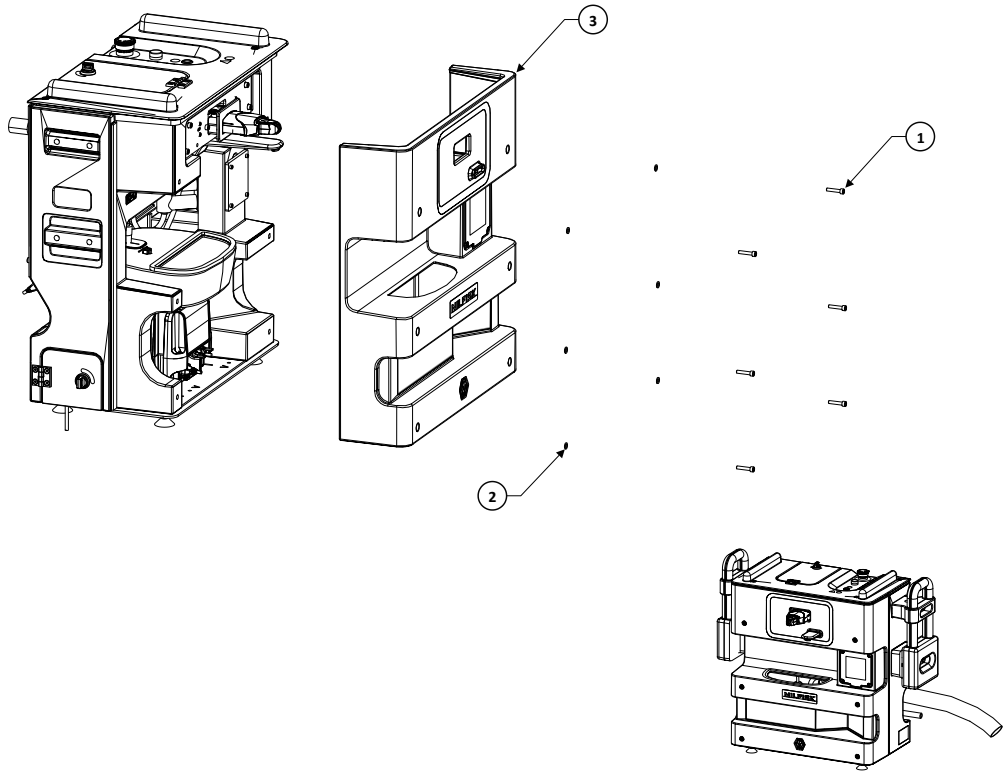
2025.08.01

2025.08.01

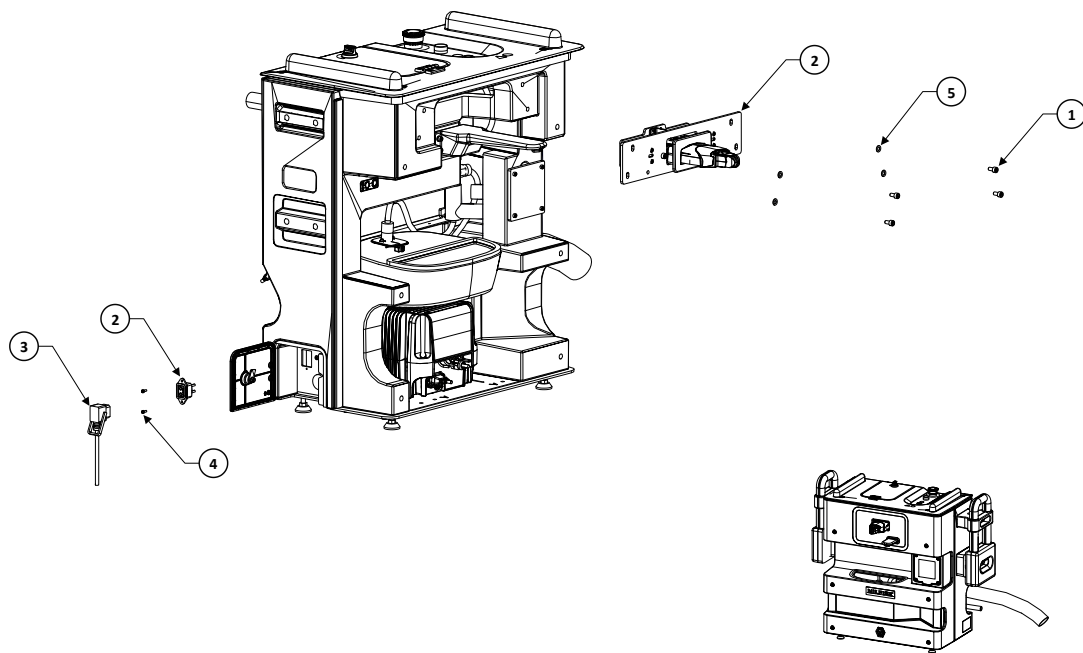
| Pos. | Artikel-Nr. | Menge | Variante | Notes |
|-------------|--------------------|--------------|--------------------------------|--------------|
| 5 | 58001538 | | R3OS81 CONTACTOR 2 TO 1 SIGNAL | |
| 5 | 58001160 | | EMC CORE 96 | |
| 5 | 58001161 | | EMC CORE 97 | |
| 5 | 58001162 | | EMC CORE 103 | |



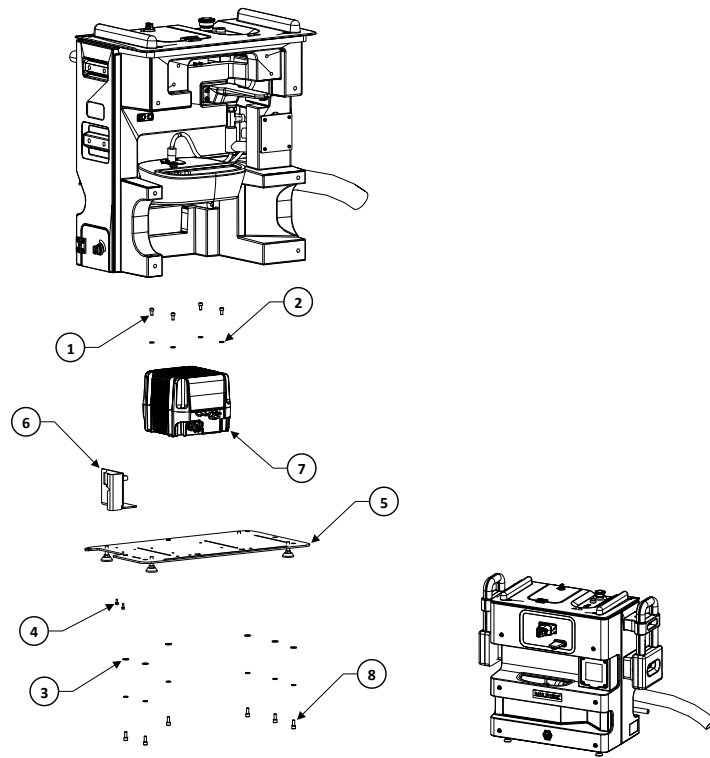
| Pos. | Artikel-Nr. | Menge | Variante | Notes |
|-------------|--------------------|--------------|--------------------------------------|--------------|
| 1 | 58001575 | 8 | VACUUM MOTOR INNER LID | |
| 2 | 58001570 | 8 | SONAR CLIP | |
| 3 | 58001488 | 2 | DOCKING STATION HANDLE WITH STICKERS | |



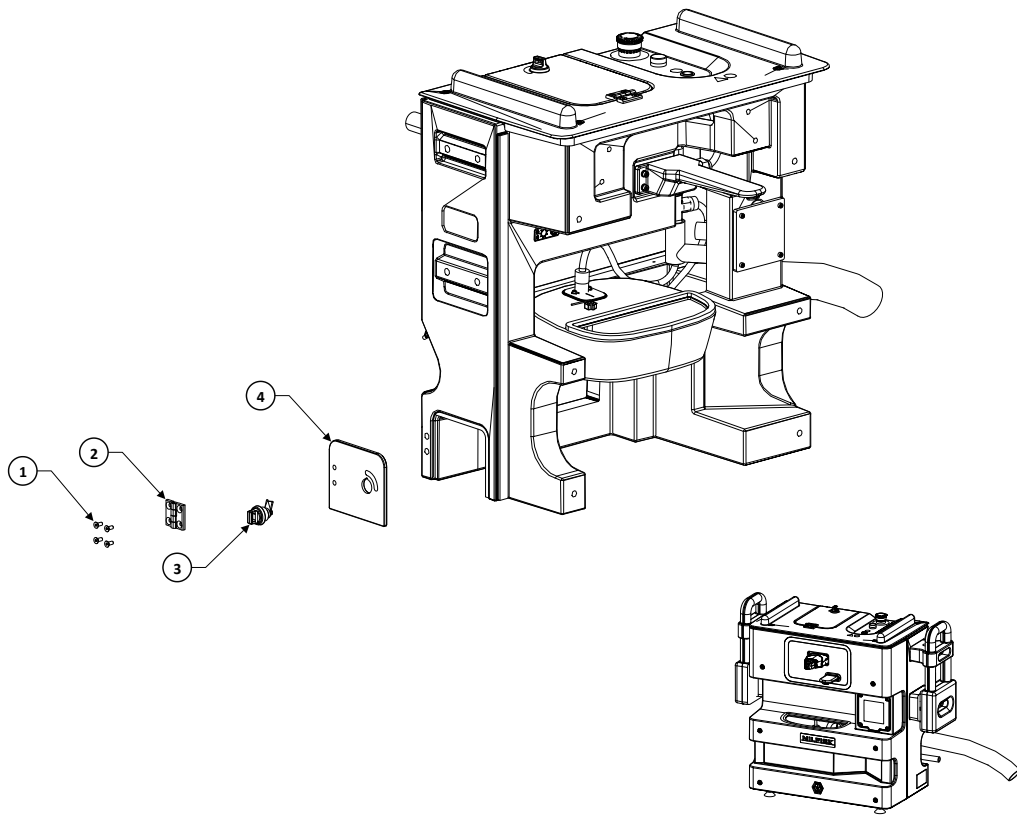
| Pos. | Artikel-Nr. | Menge | Variante | Notes |
|-------------|--------------------|--------------|--------------------------------|--------------|
| 1 | 58001574 | 6 | VACUUM MOTOR INNER COVER | |
| 2 | 58001570 | 6 | SONAR CLIP | |
| 3 | 58001538 | 1 | R3OS81 CONTACTOR 2 TO 1 SIGNAL | |



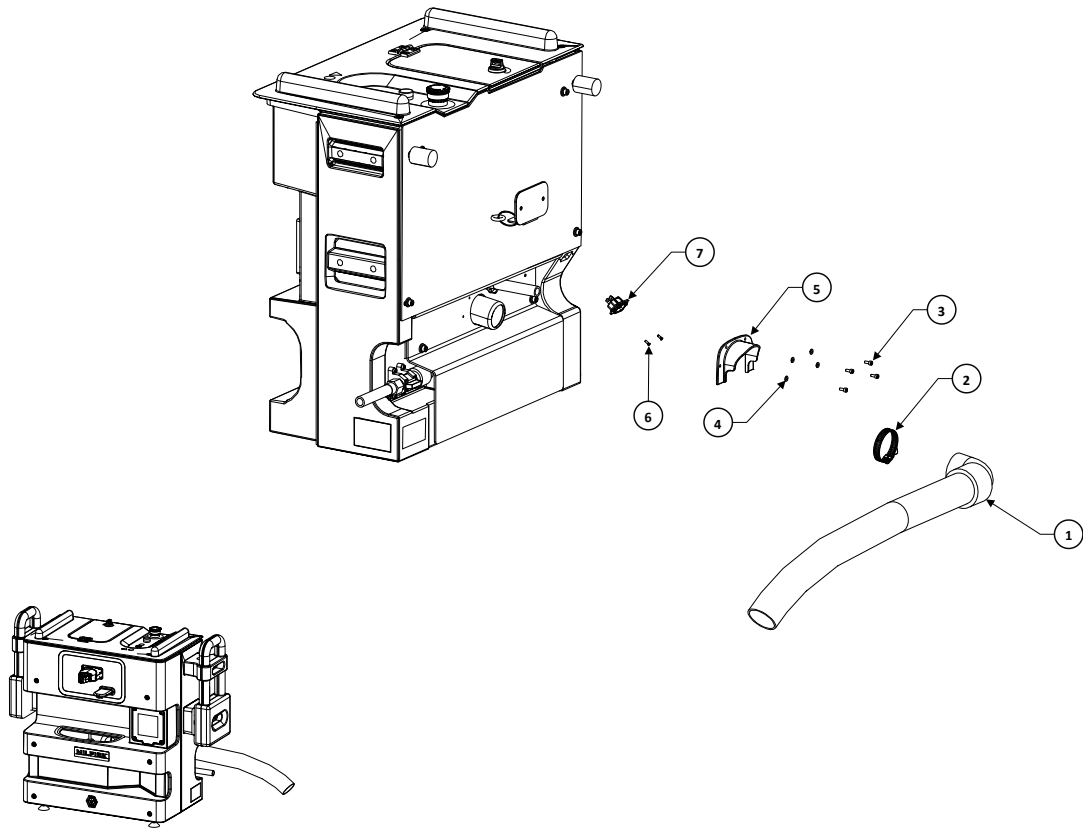
| Pos. | Artikel-Nr. | Menge | Variante | Notes |
|------|-------------|-------|-----------------------------|-------|
| 1 | 58001301 | 4 | M6 X 1.0 X 12 HX-SHCS | |
| 2 | 58000274 | 1 | CHARGING MECHANISM SC25 KIT | |
| 3 | 58000618 | 1 | RSORS11 DOCK / GPD | |
| 4 | 58001190 | 2 | M3 X 0.5 X 8 HX-SHCS | |
| 5 | 58001286 | 4 | M6 FLAT WASHER | |



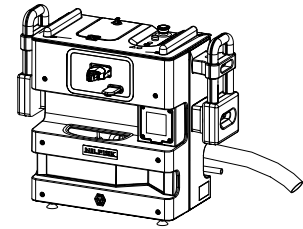
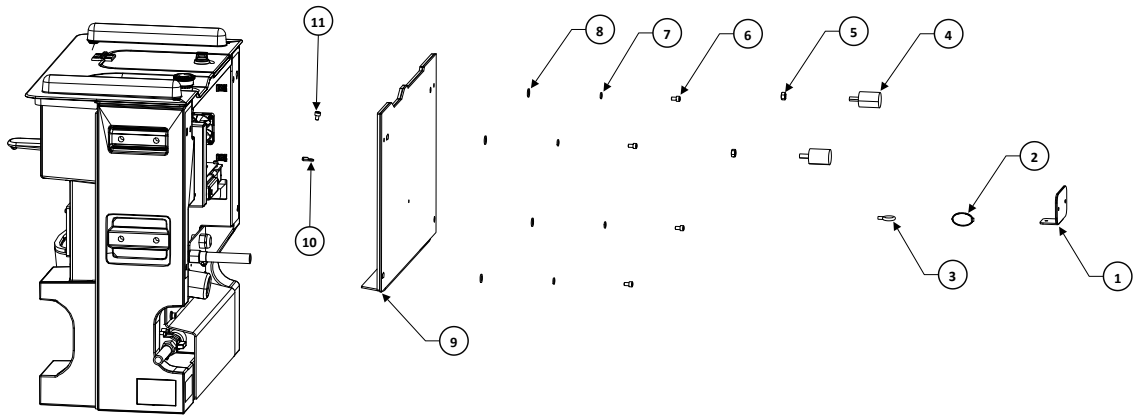
| Pos. | Artikel-Nr. | Menge | Variante | Notes |
|-------------|--------------------|--------------|-------------------------------|--------------|
| 1 | 58001301 | 4 | M6 X 1.0 X 12 HX-SHCS | |
| 2 | 58001286 | 10 | M6 FLAT WASHER | |
| 3 | 58000549 | 6 | M8 FLAT WASHER | |
| 4 | 58001195 | 2 | M4 X 0.7 X 10 HX-SHCS | |
| 5 | 58000441 | 1 | BASE PLATE KIT | |
| 6 | 58000406 | 1 | SIDE ACCESS PANEL SC25 DS KIT | |
| 7 | 58000434 | 1 | 24V 20A CHARGER, CONFIGURED | |
| 8 | 58001328 | 4 | M6 X 1.0 X 16 HX-SHCS | |



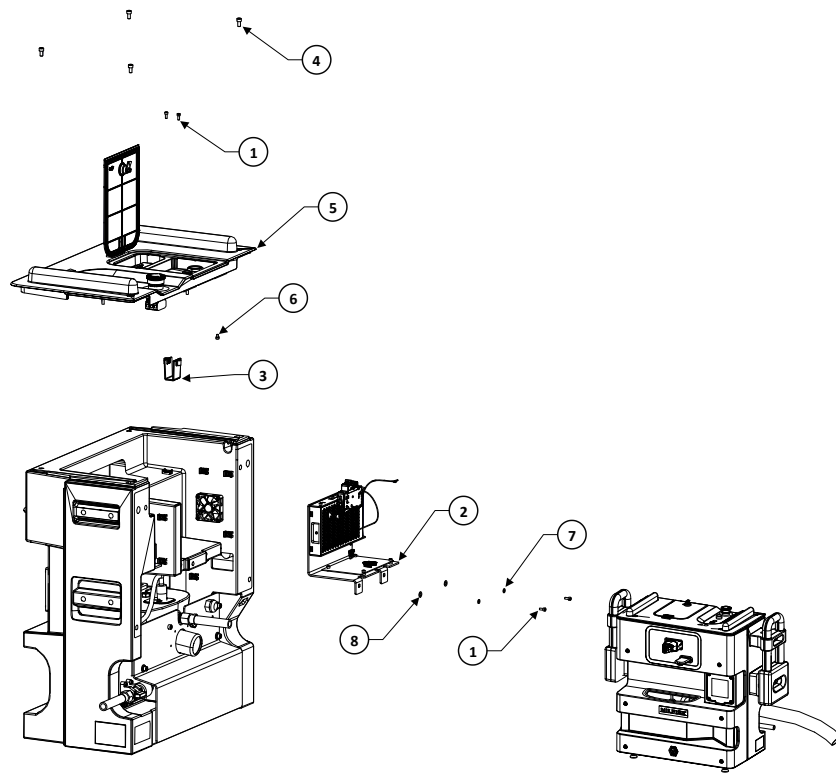
| Pos. | Artikel-Nr. | Menge | Variante | Notes |
|-------------|--------------------|--------------|--------------------------------|--------------|
| 1 | 58001569 | 4 | SIZE 8 EXTERNAL RETAINING RING | |
| 2 | 58001501 | 1 | ROUTER KC | |
| 3 | 58001520 | 1 | R3OS59 TRACTION DRIVER LR | |
| 4 | 58001543 | 1 | RIGHT DEPTH CAMERA BASE | |



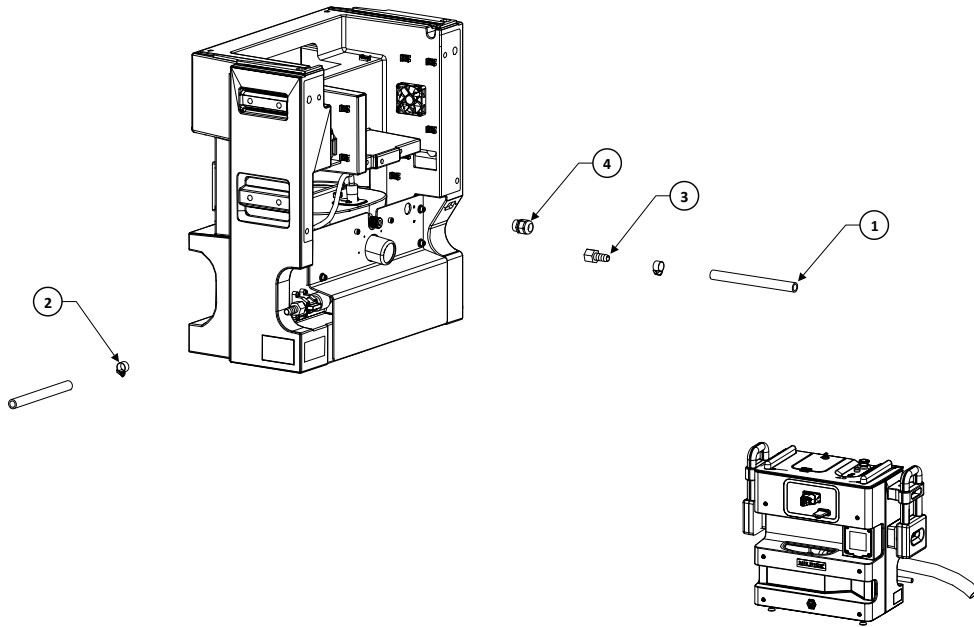
| Pos. | Artikel-Nr. | Menge | Variante | Notes |
|-------------|--------------------|--------------|-------------------------------|--------------|
| 1 | 58001523 | 1 | R3OS65.1, LEFT STATUS LED | |
| 2 | 58001547 | 1 | ROUTER CLIP | |
| 3 | 58001559 | 4 | SHOULDER BOLT L 10MM | |
| 4 | 58001557 | 4 | SC25, LIDAR REAR SIGNAL CABLE | |
| 5 | 58001530 | 1 | R3OS72, SPEAKER WIRE | |
| 6 | 58001606 | 2 | ST3 X 10 PP-FHCS | |
| 7 | 58001548 | 1 | RUBBER CAP | |



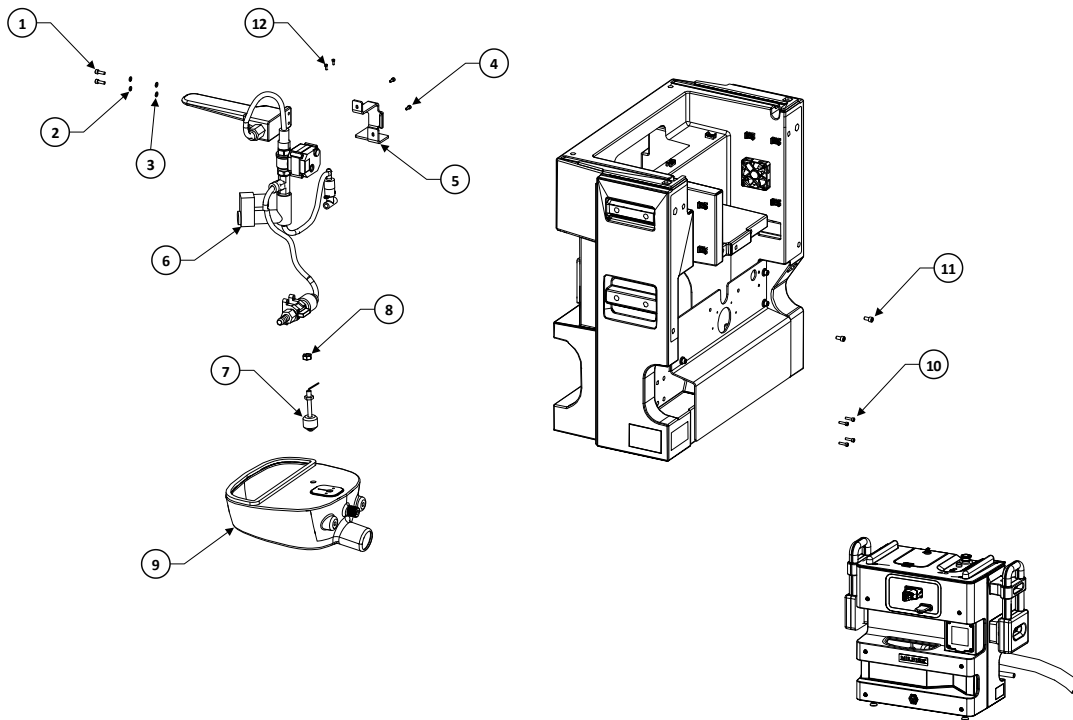
| Pos. | Artikel-Nr. | Menge | Variante | Notes |
|------|-------------|-------|--|-------|
| 1 | 58001491 | 1 | R3OS100 LIMIT SWITCH TML | |
| 2 | 58001490 | 1 | R3OS1 CROWN SONAR | |
| 3 | 58001571 | 1 | SPEAKER, 8 OHM | |
| 4 | 58001602 | 2 | RUBBER STOPPER, M8 × 20, 30 × 40 MM | |
| 5 | 58001577 | 2 | VACUUM MOTOR SOUND FILTER | |
| 6 | 58001572 | 4 | TELESCOPIC RAIL | |
| 7 | 58001570 | 4 | SONAR CLIP | |
| 8 | 58001576 | 4 | VACUUM MOTOR OUTER LID | |
| 9 | 58001582 | 1 | GASKETED BACK TOP COVER W STICKERS KIT | |
| 10 | 58001599 | 1 | RSORS4, BACK T.P / B.B.P | |
| 11 | 58001563 | 1 | SIDE BRUSH LIFT MOTOR SLEEVE | |



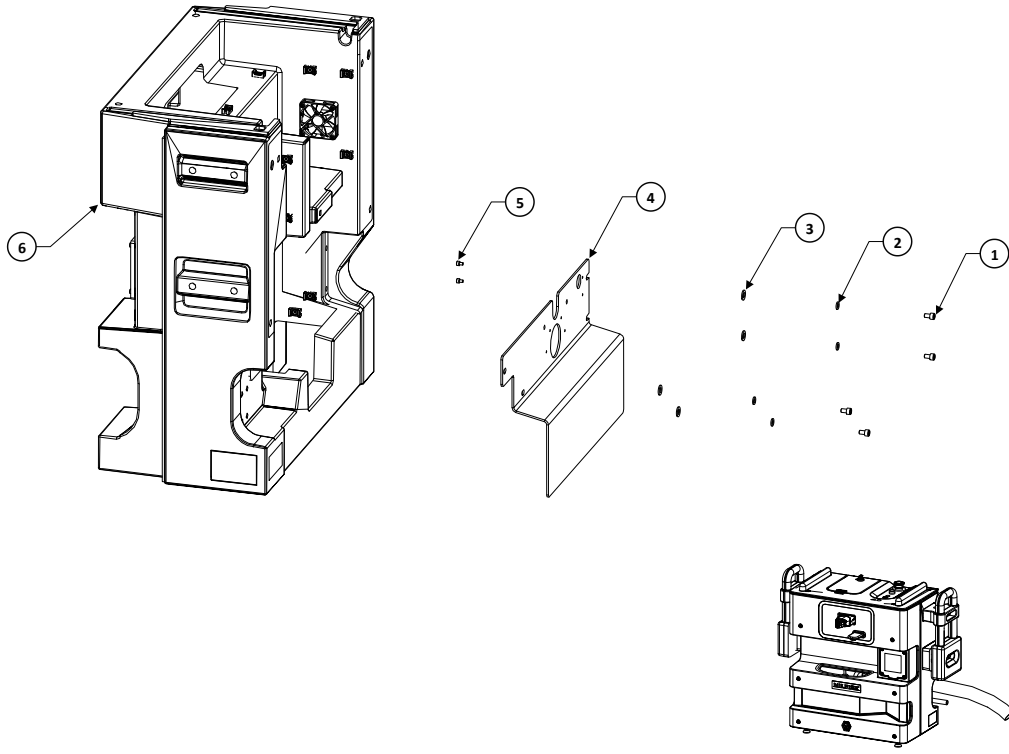
| Pos. | Artikel-Nr. | Menge | Variante | Notes |
|-------------|--------------------|--------------|-----------------------|--------------|
| 1 | 58001195 | 4 | M4 X 0.7 X 10 HX-SHCS | |
| 2 | 58000291 | 1 | ELECTRONICS KIT | |
| 3 | 58000459 | 1 | CIRCUIT BREAKER MOUNT | |
| 4 | 58001301 | 4 | M6 X 1.0 X 12 HX-SHCS | |
| 5 | 58000424 | 1 | TOP COVER SC25 DS KIT | |
| 6 | 58001274 | 1 | M4 X 0.7 X 6 HX-SHCS | |
| 7 | 58001192 | 2 | M4 FLAT WASHER | |
| 8 | 58001286 | 2 | M6 FLAT WASHER | |



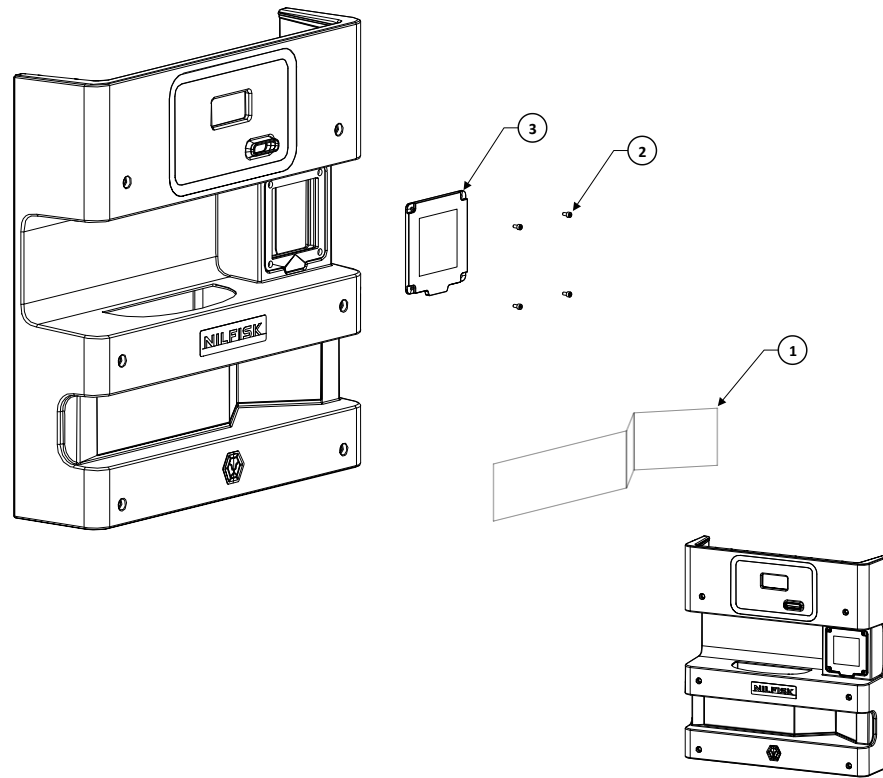
| Pos. | Artikel-Nr. | Menge | Variante | Notes |
|-------------|--------------------|--------------|--|--------------|
| 1 | 58000333 | 2 | PVC BRAIDED HOSE, ID 12MM, OD 18MM, 2M | |
| 2 | 58000304 | 2 | HOSE CLIP (12/20) | |
| 3 | 58000261 | 1 | BARB FITTING INLET 1/2" BSP THD FEM | |
| 4 | 58000449 | 1 | CABLE GLAND | |



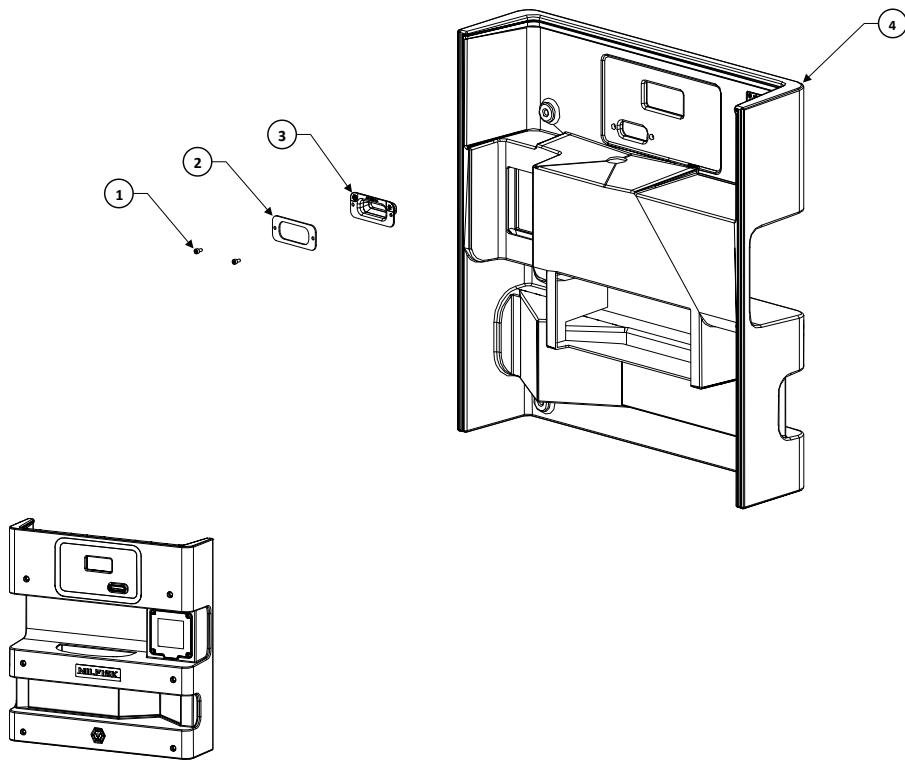
| Pos. | Artikel-Nr. | Menge | Variante | Notes |
|------|-------------|-------|------------------------------------|-------|
| 1 | 58000316 | 2 | M5 X 0.8 X 16 HX-SHCS | |
| 2 | 58000314 | 2 | M5 SPRING WASHER | |
| 3 | 58000313 | 2 | M5 FLAT WASHER | |
| 4 | 58001195 | 2 | M4 X 0.7 X 10 HX-SHCS | |
| 5 | 58000260 | 1 | BALL VALVE MOUNT | |
| 6 | 58000431 | 1 | WATERLINE KIT | |
| 7 | 58000338 | 1 | R3ORS21 FLOAT SWITCH | |
| 8 | 58000323 | 1 | MODIFIED M10 NUT, 3MM CUT, DIN 934 | |
| 9 | 58000300 | 1 | GASKETED SINK | |
| 10 | 58001198 | 4 | M4 X 0.7 X 16 HX-SHCS | |
| 11 | 58001301 | 2 | M6 X 1.0 X 12 HX-SHCS | |
| 12 | 58001190 | 2 | M3 X 0.5 X 8 HX-SHCS | |



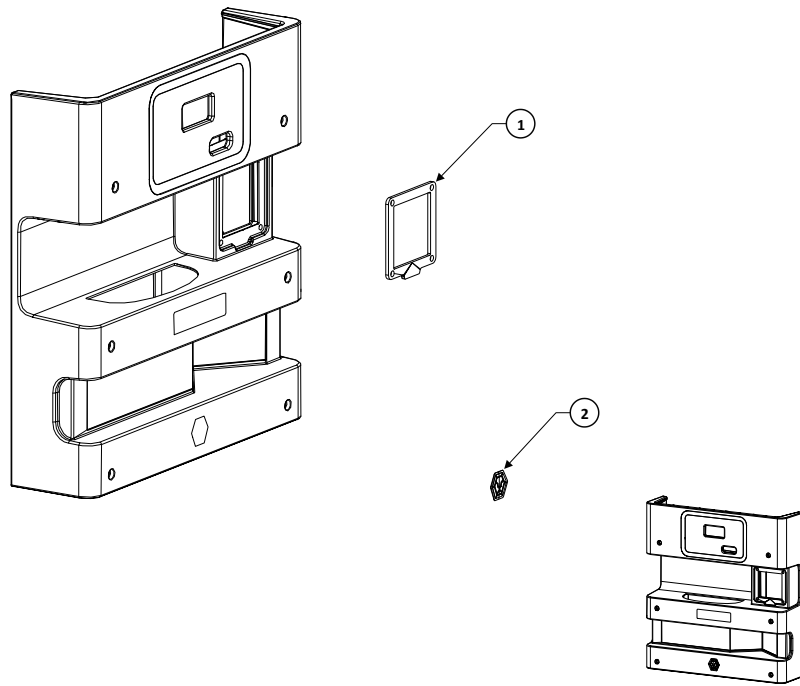
| Pos. | Artikel-Nr. | Menge | Variante | Notes |
|-------------|--------------------|--------------|--|--------------|
| 1 | 58001301 | 4 | M6 X 1.0 X 12 HX-SHCS | |
| 2 | 58001286 | 4 | M6 FLAT WASHER | |
| 3 | 58000549 | 4 | M8 FLAT WASHER | |
| 4 | 58000257 | 1 | BACK BOTTOM COVER WITH STICKERS SC25 KIT | |
| 5 | 58001274 | 2 | M4 X 0.7 X 6 HX-SHCS | |
| 6 | | 1 | Docking Chassis ASM | |



| Pos. | Artikel-Nr. | Menge | Variante | Notes |
|-------------|--------------------|--------------|--------------------------------|--------------|
| 1 | 58001592 | 1 | REFLECTIVE TAPE | |
| 2 | 58001565 | 4 | SIDE BRUSH MOTOR MOUNT | |
| 3 | 58001535 | 1 | R3OS79, RELAY 2 TO CONTACTOR 2 | |



| Pos. | Artikel-Nr. | Menge | Variante | Notes |
|-------------|--------------------|--------------|----------------------------------|--------------|
| 1 | 58001565 | 2 | SIDE BRUSH MOTOR MOUNT | |
| 2 | 58001610 | 1 | TAP CLAMPING PLATE | |
| 3 | 58001613 | 1 | TAP SOFT SEAL | |
| 4 | 58001579 | 1 | IMU WITH CONNECTOR AND WIRE SC25 | |



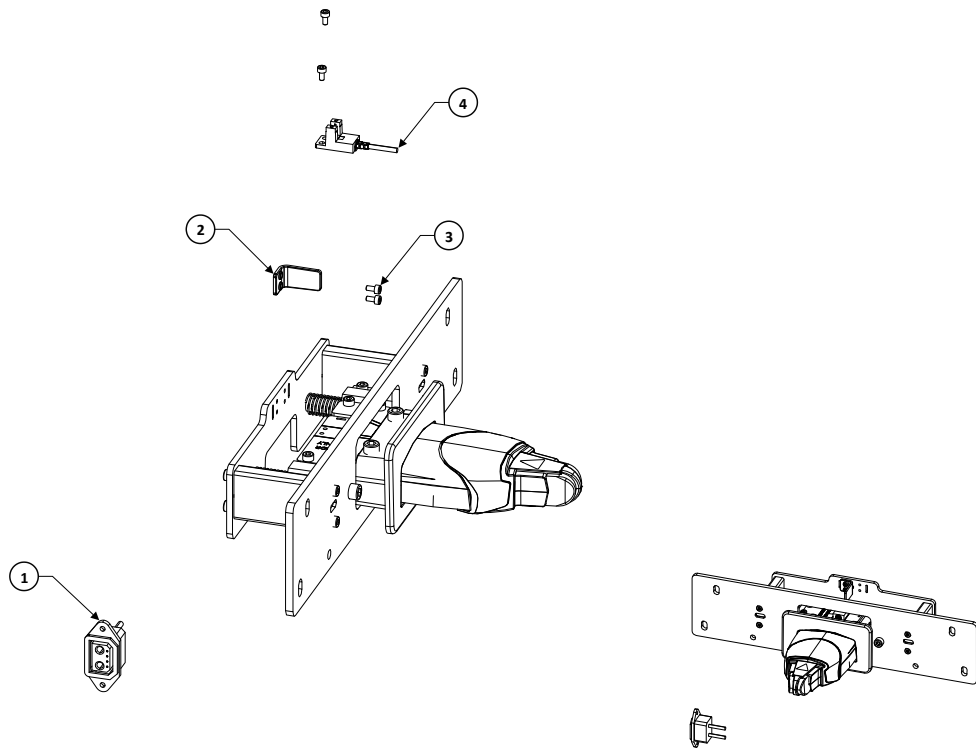
GASKETTED FRONT COVER

SC25

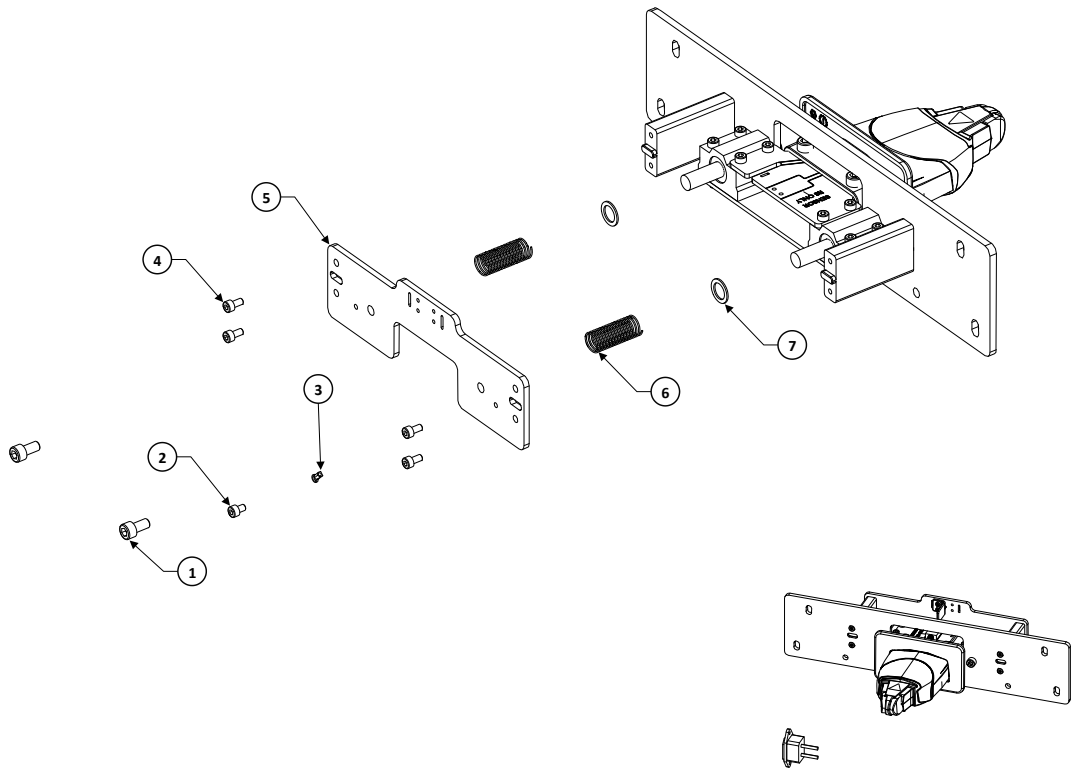
2025.08.04

2025.08.05

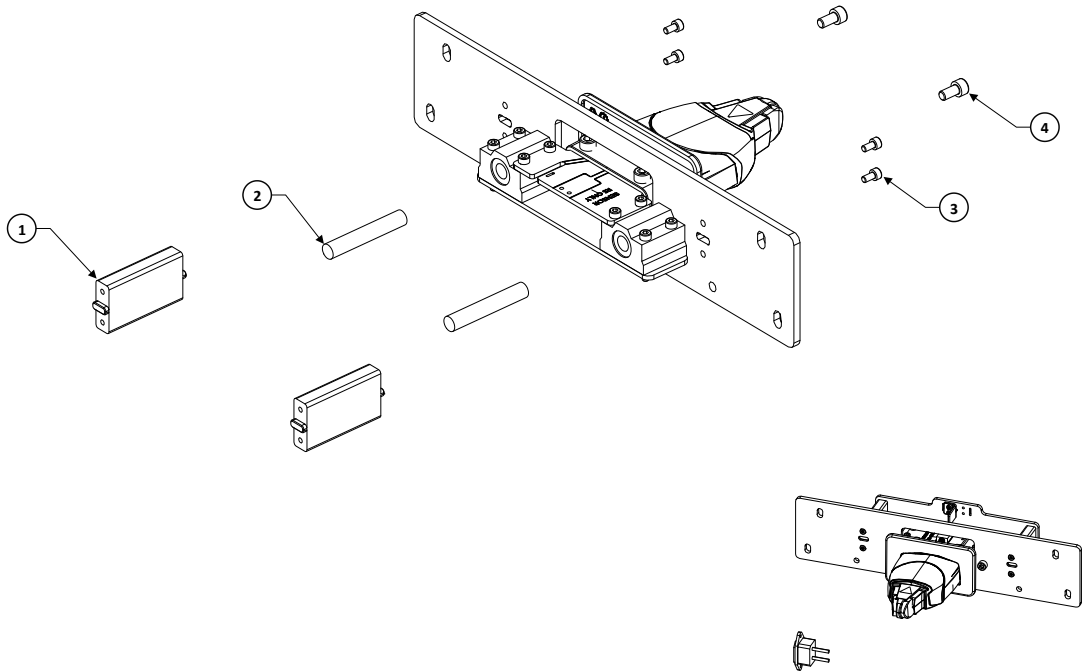
| Pos. | Artikel-Nr. | Menge | Variante | Notes |
|-------------|--------------------|--------------|--------------------------------|--------------|
| 1 | 58000433 | 1 | Front Cover Gasket | |
| 2 | 58001181 | 1 | LIONSBOT LOGO METALLIC STICKER | |



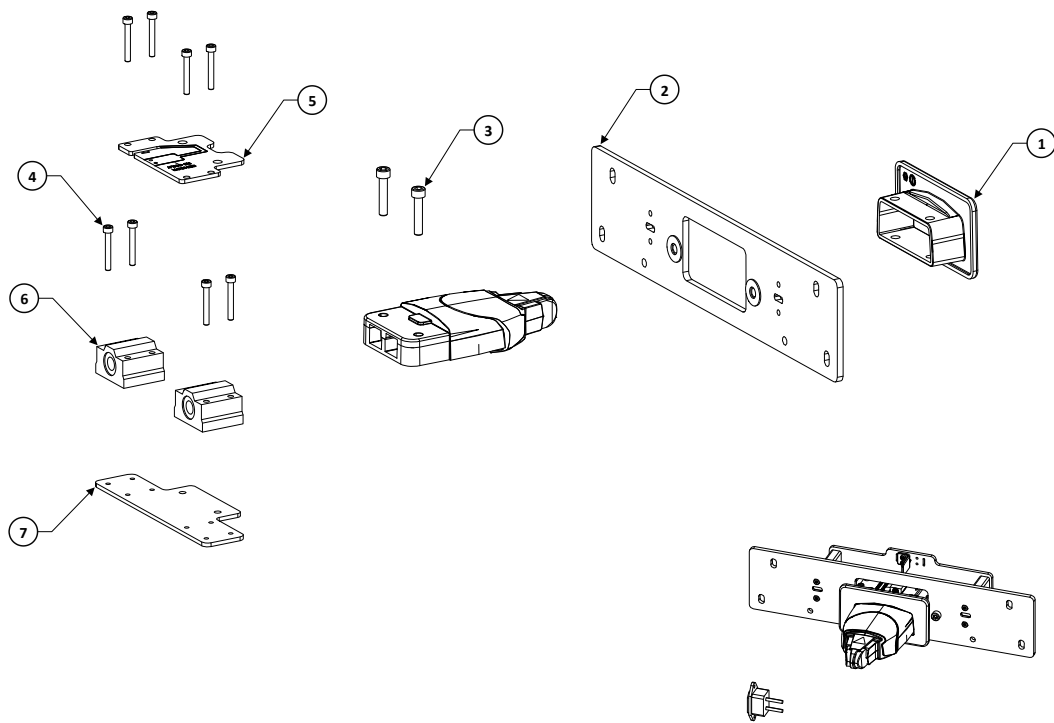
| Pos. | Artikel-Nr. | Menge | Variante | Notes |
|-------------|--------------------|--------------|---------------------------|--------------|
| 1 | 58001601 | 1 | RSORS9 DOCK / GPD | |
| 2 | 58001620 | 1 | TRIGGER PLATE | |
| 3 | 58001553 | 4 | SC25, LED BOARD USB CABLE | |
| 4 | 58001588 | 1 | R3ORS22 OPTO SENSOR | |



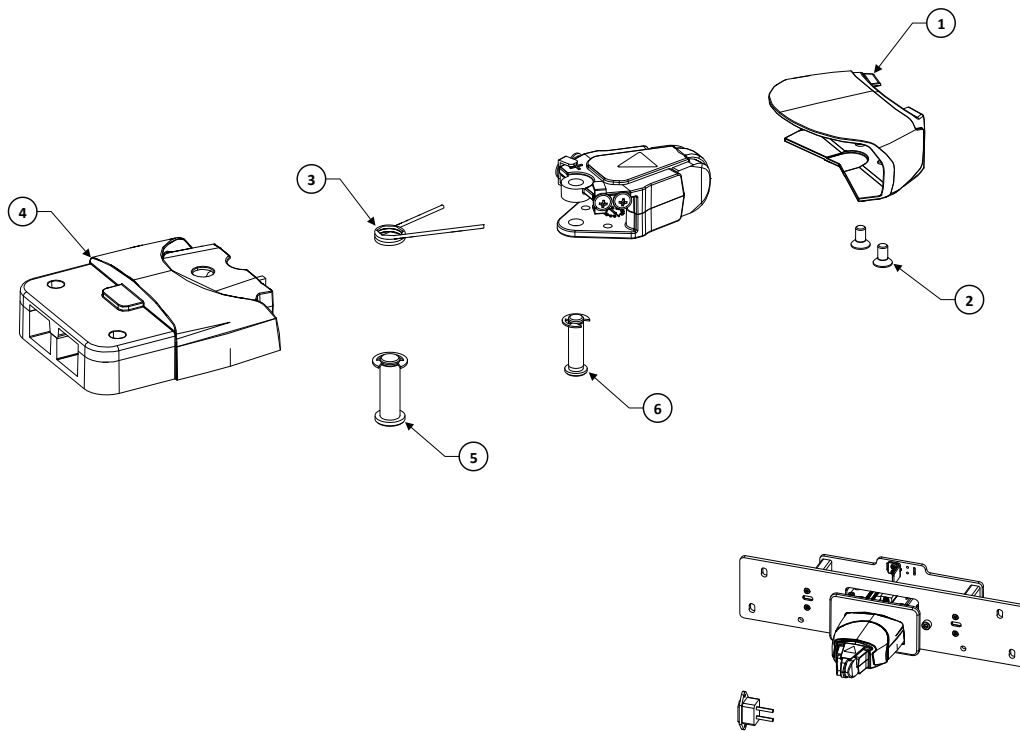
| Pos. | Artikel-Nr. | Menge | Variante | Notes |
|-------------|--------------------|--------------|--|--------------|
| 1 | 58001573 | 2 | THERMAL PAD | |
| 2 | 58001563 | 1 | SIDE BRUSH LIFT MOTOR SLEEVE | |
| 3 | 58001597 | 1 | RSORS2, CHARGING B.P / T.S.P | |
| 4 | 58001565 | 4 | SIDE BRUSH MOTOR MOUNT | |
| 5 | 58001507 | 1 | R3OS27, LIMIT SWITCH FOR SIDE BRUSH LEFT | |
| 6 | 58001517 | 2 | R3OS55, PDB TO CONTACTOR 2 LIVE | |
| 7 | 58001510 | 2 | R3OS3 TOUCHSCREEN RIGHT SONAR | |



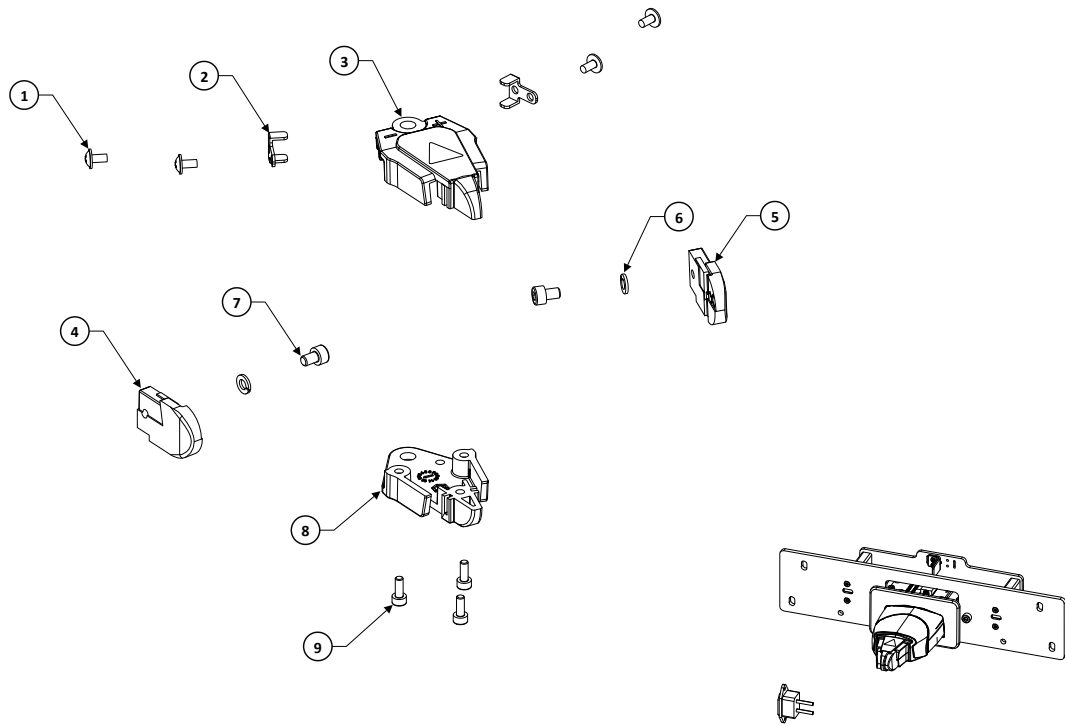
| Pos. | Artikel-Nr. | Menge | Variante | Notes |
|-------------|--------------------|--------------|-----------------------------------|--------------|
| 1 | 58001511 | 2 | R3OS32, TOP ECU CAN TO PDB CAN | |
| 2 | 58001506 | 2 | R3OS24, BOTTOM ECU CAN TO PDB CAN | |
| 3 | 58001565 | 4 | SIDE BRUSH MOTOR MOUNT | |
| 4 | 58001573 | 2 | THERMAL PAD | |



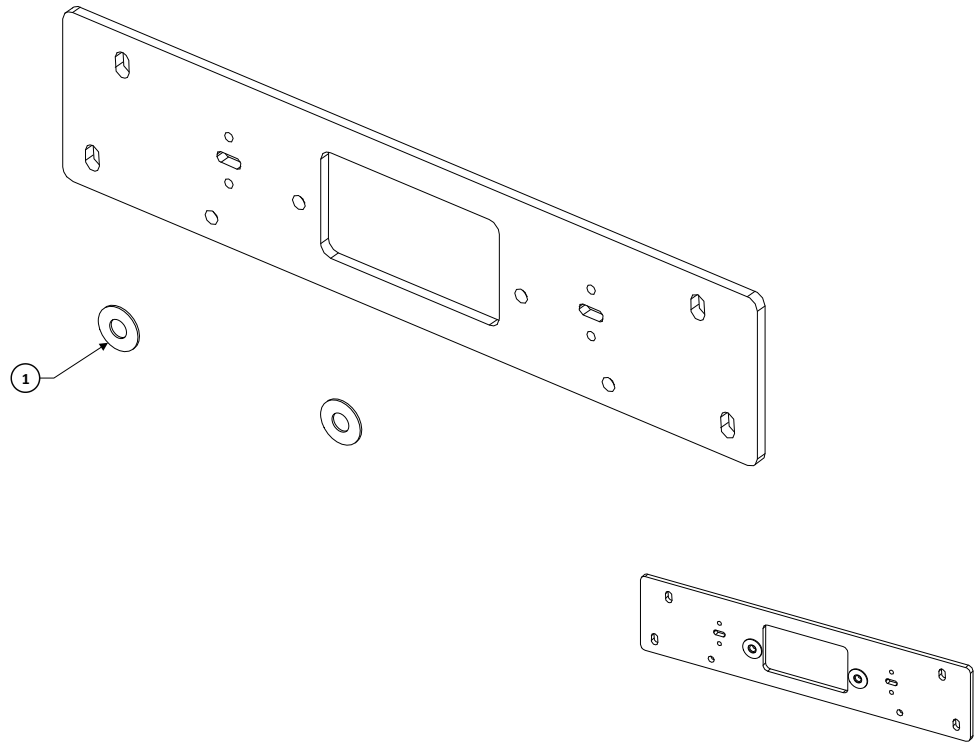
| Pos. | Artikel-Nr. | Menge | Variante | Notes |
|-------------|--------------------|--------------|---------------------------------------|--------------|
| 1 | 58001609 | 1 | CHARGING MECHANISM SOFT COVER | |
| 2 | 58001539 | 1 | R30S9 FRONT SENSOR STACK SONAR | |
| 3 | 58001574 | 2 | VACUUM MOTOR INNER COVER | |
| 4 | 58001562 | 8 | SIDE BRUSH LIFT MOTOR RIGHT | |
| 5 | 58001621 | 1 | UPPER SLIDING PLATE | |
| 6 | 58001549 | 2 | SC25, DEPTH CAMERA WIRE, FRONT MIDDLE | |
| 7 | 58001550 | 1 | SC25, DEPTH CAMERA WIRE, FRONT TOP | |



| Pos. | Artikel-Nr. | Menge | Variante | Notes |
|-------------|--------------------|--------------|----------------------------|--------------|
| 1 | 58001612 | 1 | CHARGING MECHANISM COVER | |
| 2 | 58001564 | 2 | SIDE BRUSH LIFT MOUNT LEFT | |
| 3 | 58001618 | 1 | TORSION SPRING | |
| 4 | 58001512 | 1 | R3OS37, PDB / IPC | |
| 5 | 58001545 | 1 | RIGHT WIRE CHANNEL COVER | |
| 6 | 58001544 | 1 | RIGHT VENT MOUNT | |



| Pos. | Artikel-Nr. | Menge | Variante | Notes |
|------|-------------|-------|---|-------|
| 1 | 58001554 | 4 | SC25, LIDAR FRONT POWER CABLE | |
| 2 | 58001619 | 2 | TORSION SPRING LIMITER | |
| 3 | 58001608 | 1 | SWIVEL TOP MOUNT | |
| 4 | 58001518 | 1 | R3OS56, CONTACTOR 1 TO CONTACTOR 2 LIVE | |
| 5 | 58001519 | 1 | R3OS57, PDB / E-STOP | |
| 6 | 58001558 | 2 | SC25, ROUTER WIFI EXTENSION CABLE | |
| 7 | 58001563 | 2 | SIDE BRUSH LIFT MOTOR SLEEVE | |
| 8 | 58001607 | 1 | SWIVEL BOTTOM MOUNT | |
| 9 | 58001556 | 3 | SC25, LIDAR REAR POWER CABLE | |



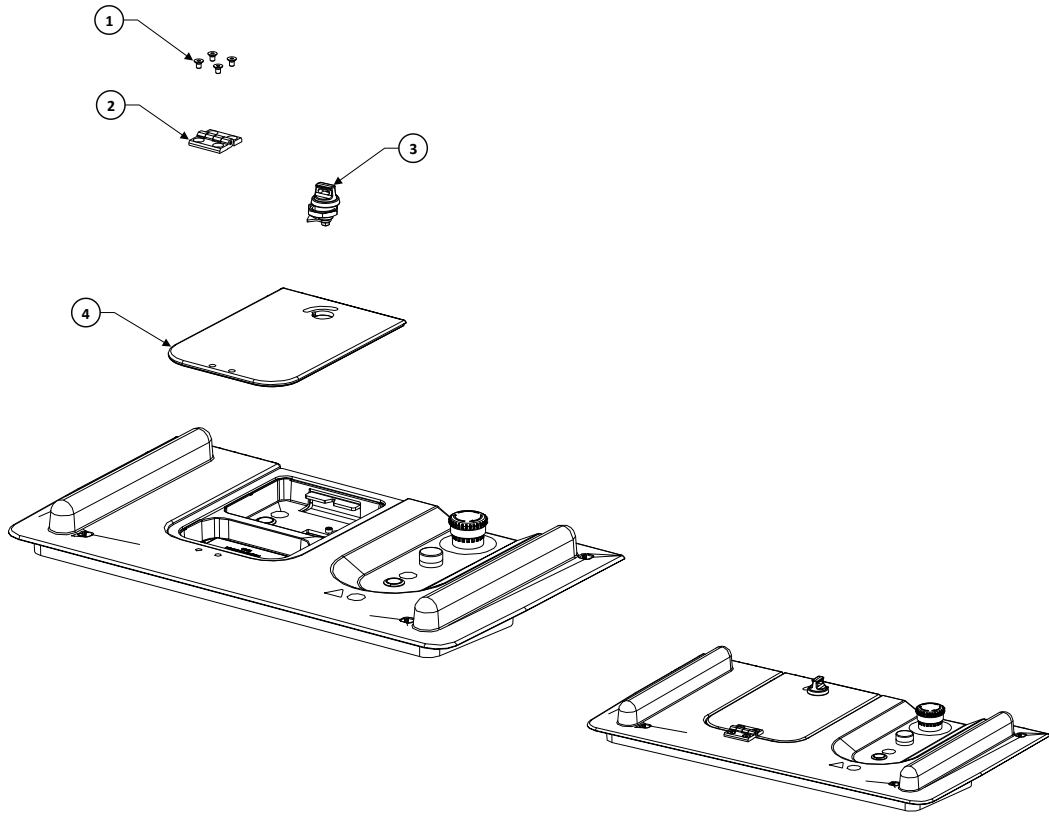
GASKETTED CHARGING MECHANISM FRONT PLATE ASM

SC25

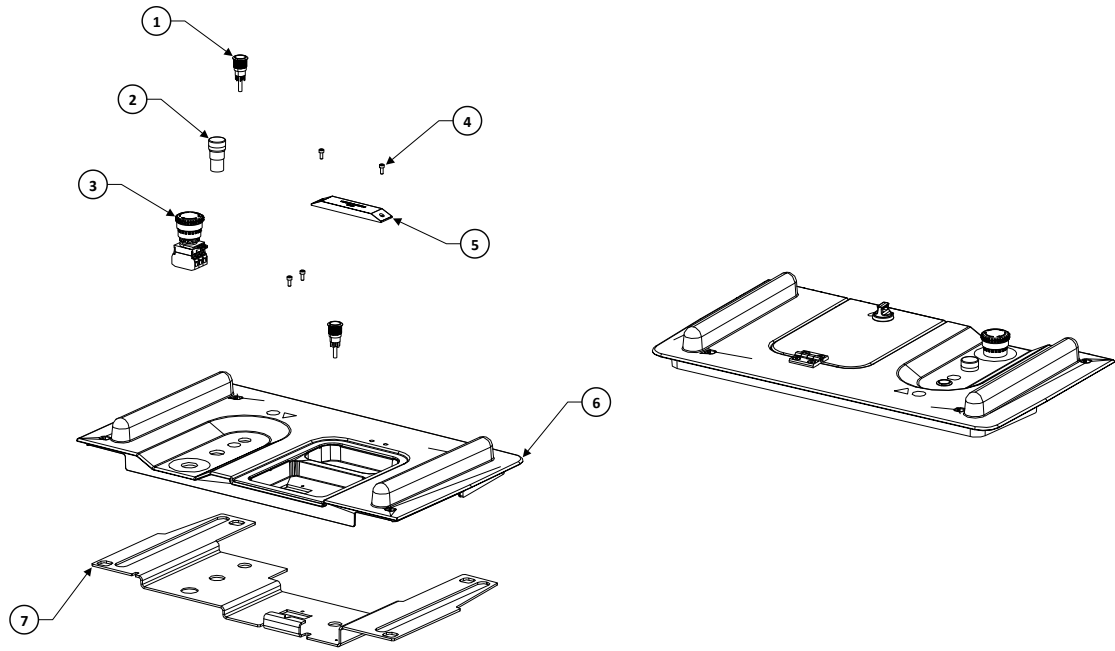
2025.04.08

2025.04.08

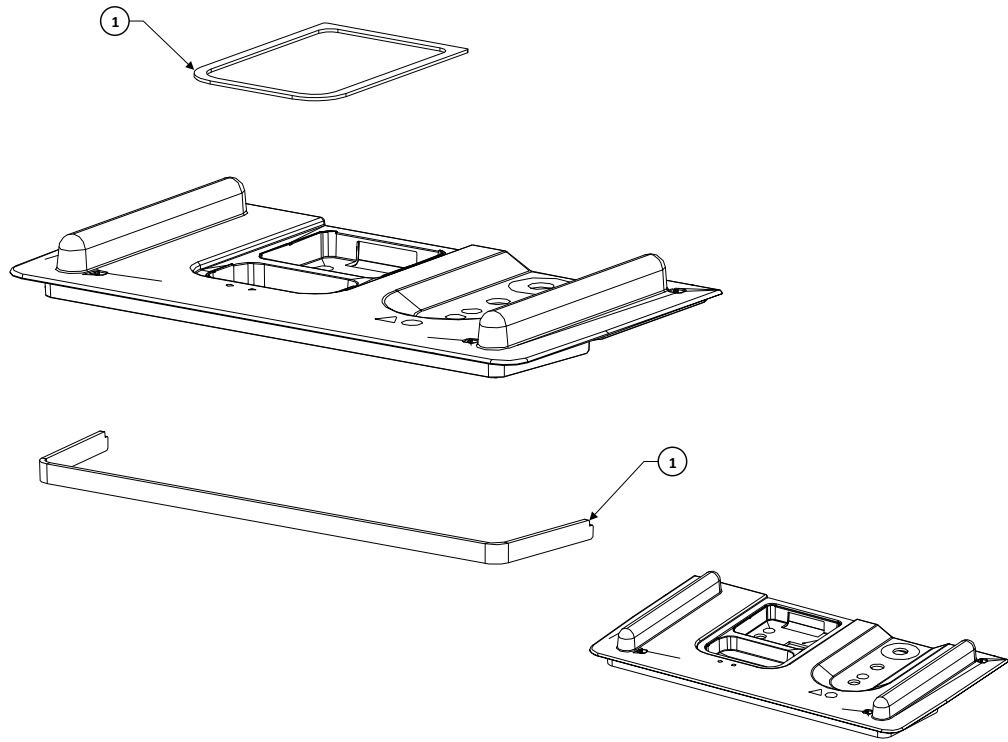
| Pos. | Artikel-Nr. | Menge | Variante | Notes |
|------|-------------|-------|--|-------|
| 1 | 58001508 | 2 | R3OS28 LIMIT SWITCH FOR SIDE BRUSH RIGHT | |



| Pos. | Artikel-Nr. | Menge | Variante | Notes |
|-------------|--------------------|--------------|--------------------------------|--------------|
| 1 | 58001569 | 4 | SIZE 8 EXTERNAL RETAINING RING | |
| 2 | 58001501 | 1 | ROUTER KC | |
| 3 | 58001520 | 1 | R3OS59 TRACTION DRIVER LR | |
| 4 | 58001503 | 1 | R3OS15 LEFT LOWER SKIRT SONAR | |



| Pos. | Artikel-Nr. | Menge | Variante | Notes |
|-------------|--------------------|--------------|--------------------------------------|--------------|
| 1 | 58001584 | 2 | PUSH SWITCH | |
| 2 | 58001581 | 1 | PANEL MOUNT GREEN LED, ROUND | |
| 3 | 58001533 | 1 | R3OS76 LEVEL SHIFTER BOARD RELAY 1/2 | |
| 4 | 58001559 | 4 | SHOULDER BOLT L 10MM | |
| 5 | 58001528 | 1 | R3OS70, INTERFACE RELAY TO CONTACTOR | |
| 6 | 58001551 | 1 | SC25, DEPTH CAMERA WIRE, LEFT | |
| 7 | 58001617 | 1 | TOP SWITCHES PLATE WITH STICKERS KIT | |



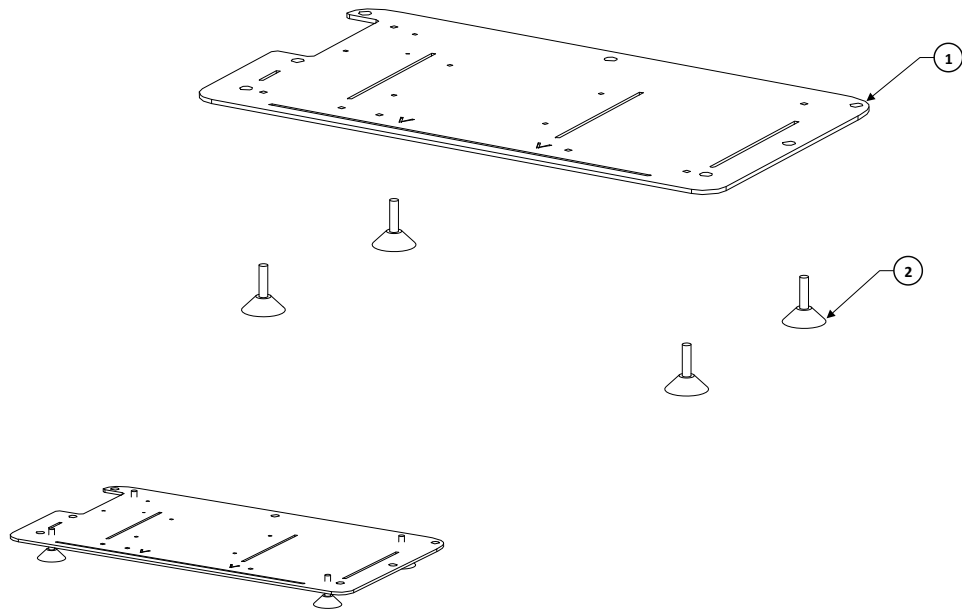
GASKETTED TOP CLEAR COVER ASM

SC25

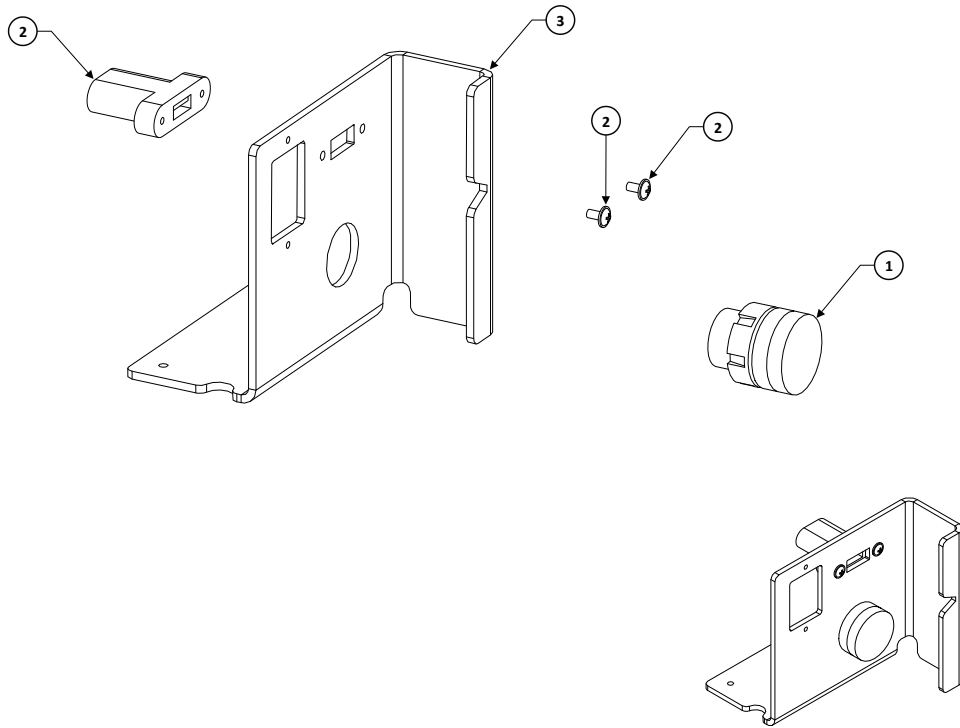
2025.04.08

2025.04.08

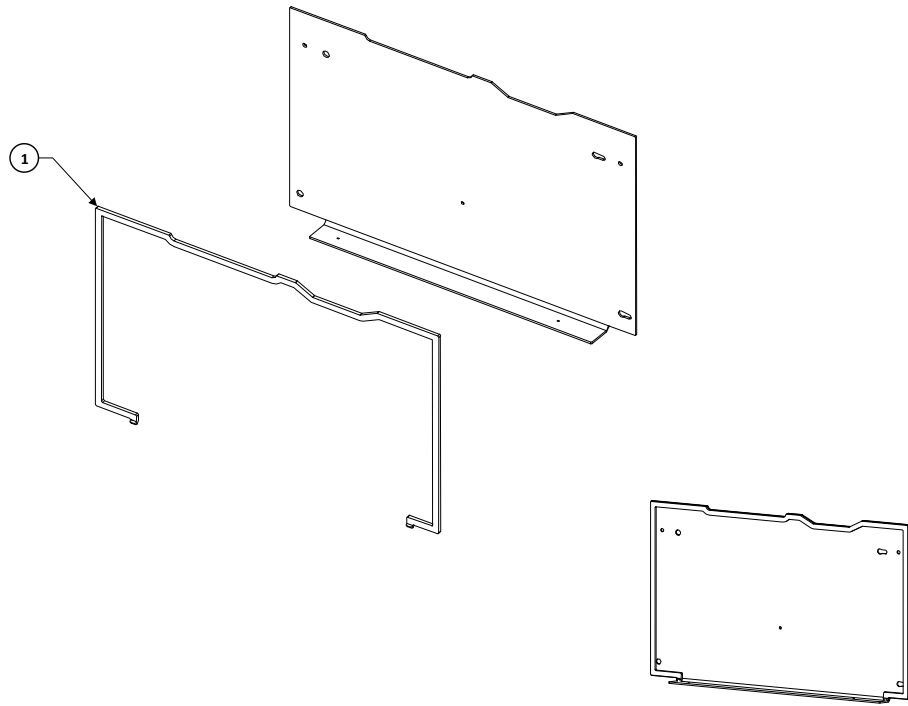
| Pos. | Artikel-Nr. | Menge | Variante | Notes |
|------|-------------|-------|------------------------|-------|
| 1 | 58001614 | 1 | TOP CLEAR COVER GASKET | |



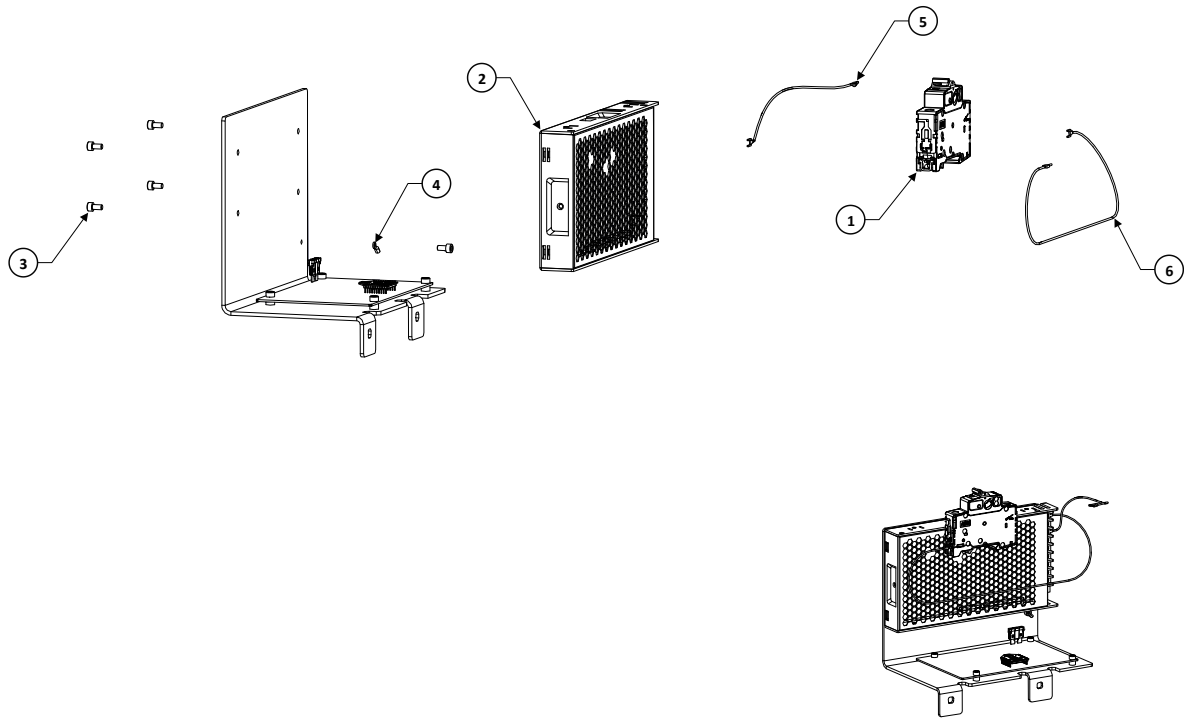
| Pos. | Artikel-Nr. | Menge | Variante | Notes |
|-------------|--------------------|--------------|------------------------------|--------------|
| 1 | 58001499 | 1 | R3OS127 LEVEL SHIFTER BOARD | |
| 2 | 58001489 | 4 | SILICON HOSE ID2MM OD4MM L3M | |



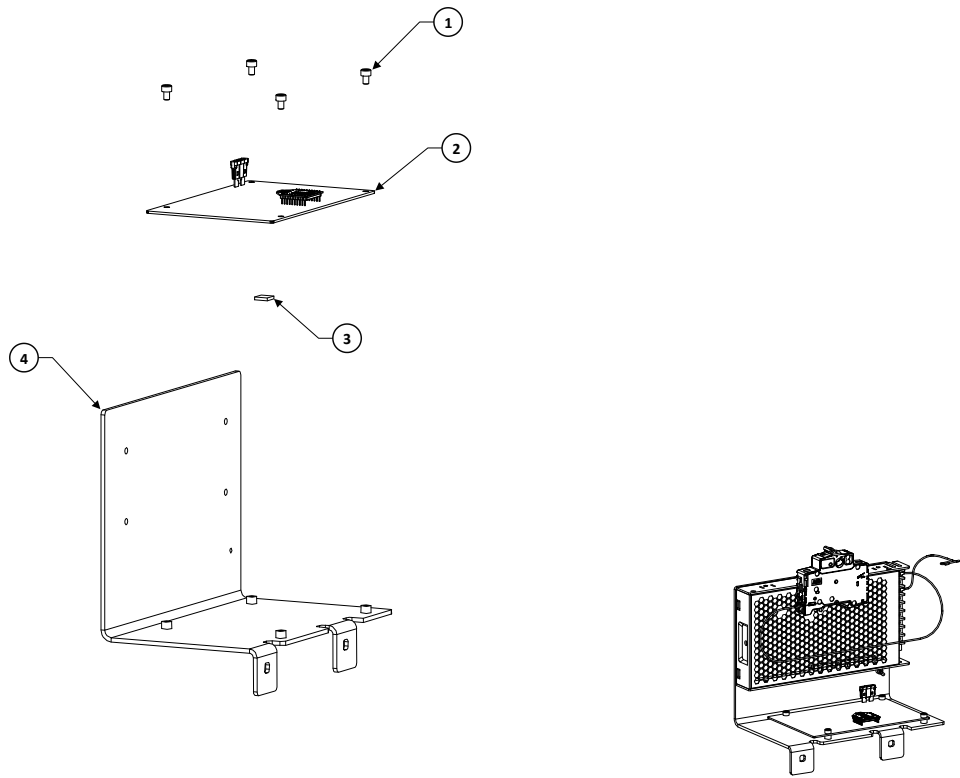
| Pos. | Artikel-Nr. | Menge | Variante | Notes |
|-------------|--------------------|--------------|--|--------------|
| 1 | 58001505 | 1 | R3OS18 BOTTOM ECU TO SIDE BRUSH RIGHT | |
| 2 | 58001591 | 1 | R3ORS29 USB TYPE A MALE TO FEM EXTENSION | |
| 3 | 58001604 | 1 | SIDE CHARGER ACCESSORY MOUNT | |



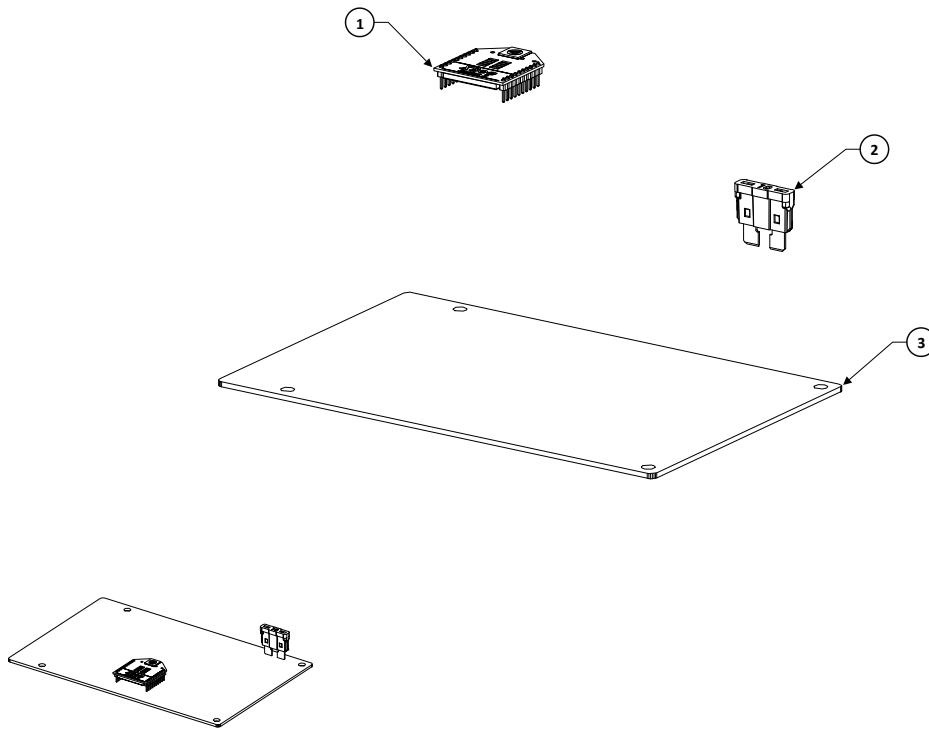
| Pos. | Artikel-Nr. | Menge | Variante | Notes |
|-------------|--------------------|--------------|--------------------------------|--------------|
| 1 | 58001495 | 1 | R3OS120 TOUCH FRONT LEFT SONAR | |



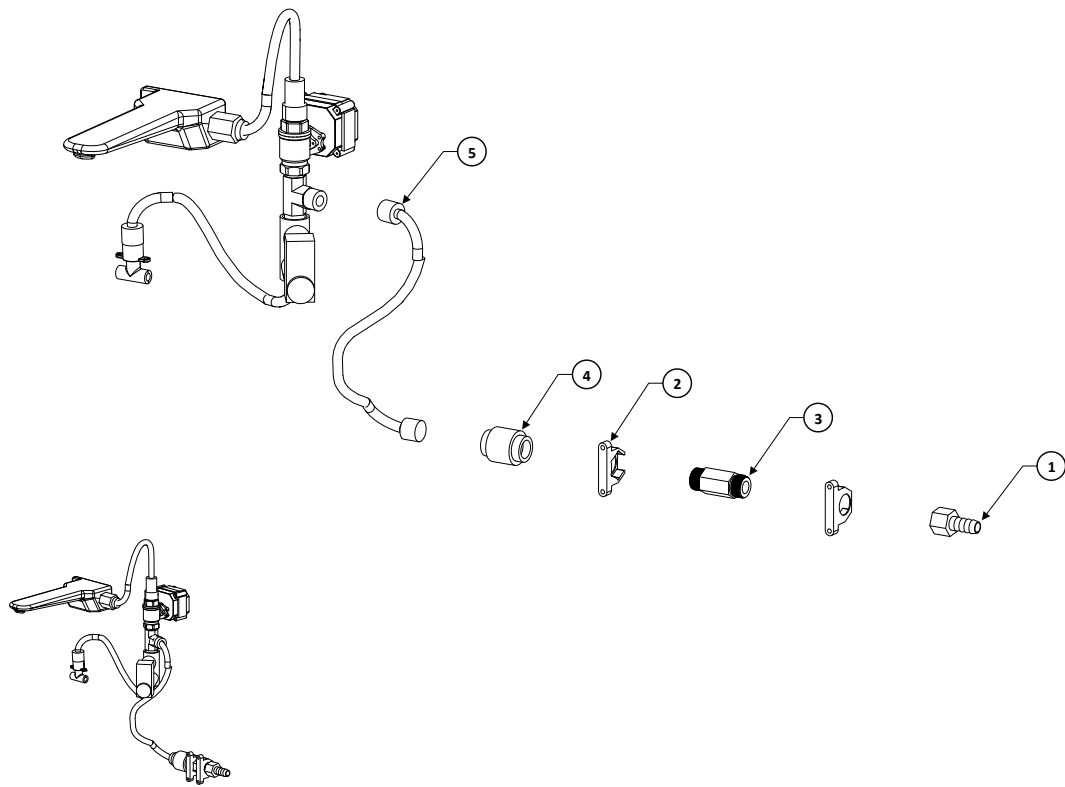
| Pos. | Artikel-Nr. | Menge | Variante | Notes |
|------|-------------|-------|--|-------|
| 1 | 58001578 | 1 | WARNING LABEL | |
| 2 | 58001583 | 1 | POWER SUPPLY 24VDC , 13.4A | |
| 3 | 58001565 | 5 | SIDE BRUSH MOTOR MOUNT | |
| 4 | 58001600 | 1 | RSORS5, BACK B.P / E.P | |
| 5 | 58001598 | 1 | RSORS3, TOP SWITCHES PLATE / PSU | |
| 6 | 58001595 | 1 | RSORS10 GPD / BACK PLATE.E / MCB.L / PSU | |



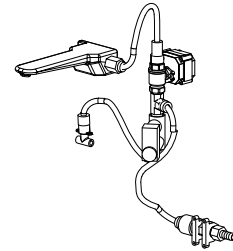
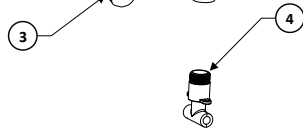
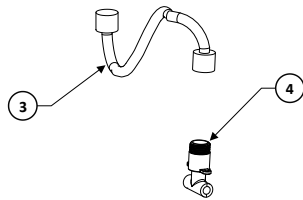
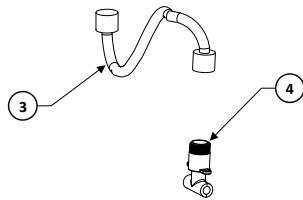
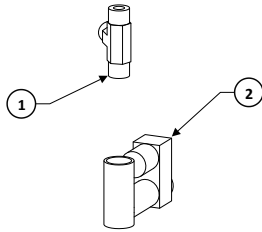
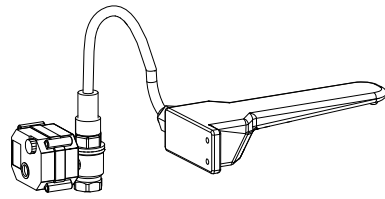
| Pos. | Artikel-Nr. | Menge | Variante | Notes |
|-------------|--------------------|--------------|------------------------------|--------------|
| 1 | 58001563 | 4 | SIDE BRUSH LIFT MOTOR SLEEVE | |
| 2 | 58001492 | 1 | R3OS101 LIMIT SWITCH TMR | |
| 3 | 58001616 | 1 | THERMAL PAD | |
| 4 | 58001532 | 1 | R3OS74 PDB TO RELAY 1/2 | |



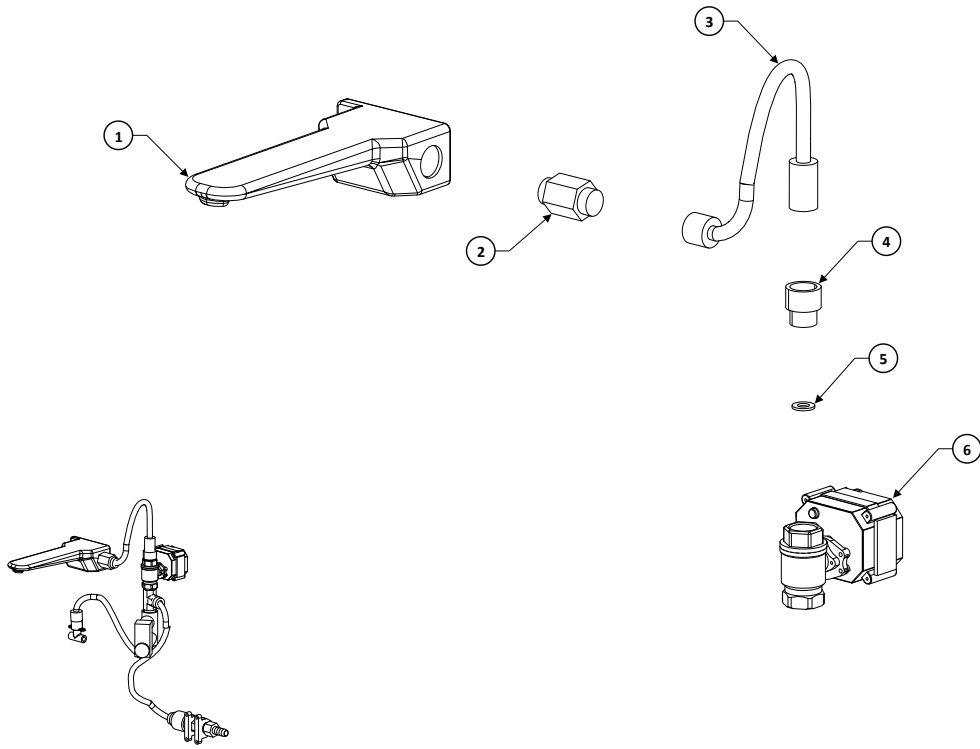
| Pos. | Artikel-Nr. | Menge | Variante | Notes |
|-------------|--------------------|--------------|--|--------------|
| 1 | 58001246 | 1 | ZIGBEE MODULE | |
| 2 | 58001401 | 1 | FUSE 10A ATO 32VDC | |
| 3 | 58001524 | 1 | R3OS66, BRAKE EXTENSIONDOCKING PCB, CONFIGURED | |



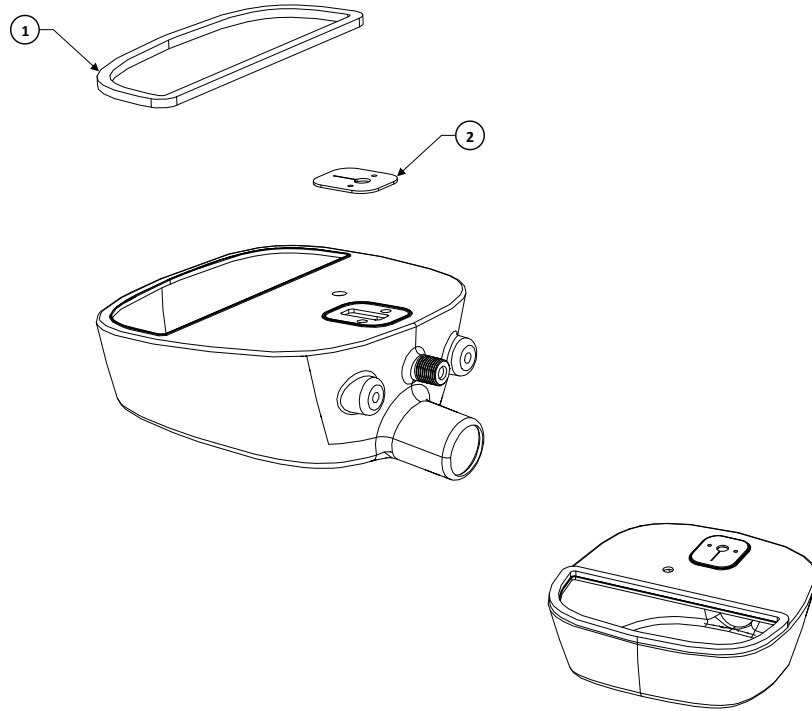
| Pos. | Artikel-Nr. | Menge | Variante | Notes |
|-------------|--------------------|--------------|-------------------------------------|--------------|
| 1 | 58001498 | 1 | R3OS125, PDB BATT | |
| 2 | 58001516 | 2 | R3OS54, PDB TO CONTACTOR 1 LIVE | |
| 3 | 58001552 | 1 | SC25, DEPTH CAMERA WIRE, RIGHT | |
| 4 | 58001513 | 1 | R3OS38 SPEAKER BOARD AND VR | |
| 5 | 58001514 | 1 | R3OS4 TOUCHSCREEN FRONT RIGHT SONAR | |



| Pos. | Artikel-Nr. | Menge | Variante | Notes |
|-------------|--------------------|--------------|---|--------------|
| 1 | 58001487 | 1 | ADJUSTABLE FOOT | |
| 2 | 58001589 | 1 | R3ORS24 SOLENOID VALVE | |
| 3 | 58001594 | 1 | RINSER HOSE | |
| 4 | 58001529 | 1 | R3OS71 LR LEVER SWITCH BRAKE LEVER WIRE | |



| Pos. | Artikel-Nr. | Menge | Variante | Notes |
|-------------|--------------------|--------------|--|--------------|
| 1 | 58001615 | 1 | TAP WITH 1/2" BSP FEMALE THREAD INSERT | |
| 2 | 58001536 | 1 | R3OS8 REAR SENSOR STACK SONAR | |
| 3 | 58001611 | 1 | TAP HOSE | |
| 4 | 58001527 | 1 | R3OS7 HANDLEBAR LEFT SONAR | |
| 5 | 58001576 | 1 | VACUUM MOTOR OUTER LID | |
| 6 | 58001541 | 1 | RAIL LATCH | |



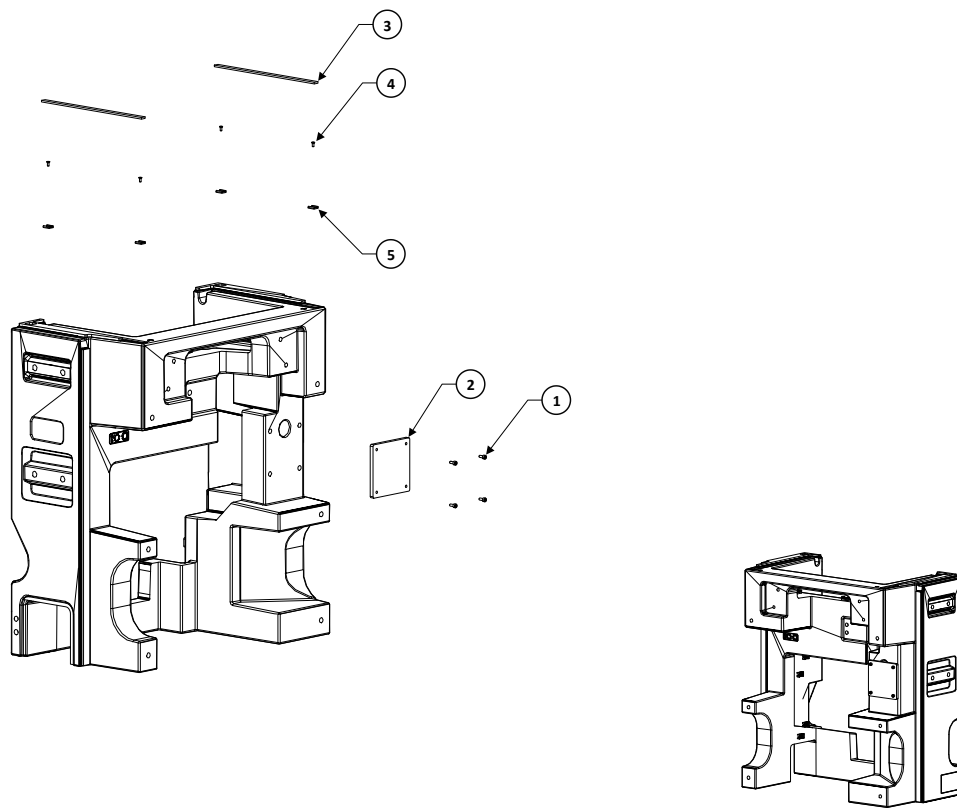
GASKETTED SINK

SC25

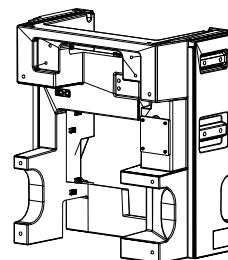
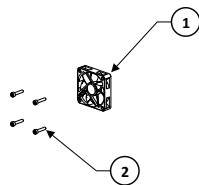
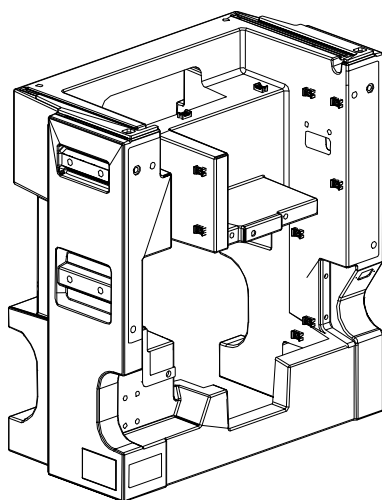
2025.04.08

2025.04.08

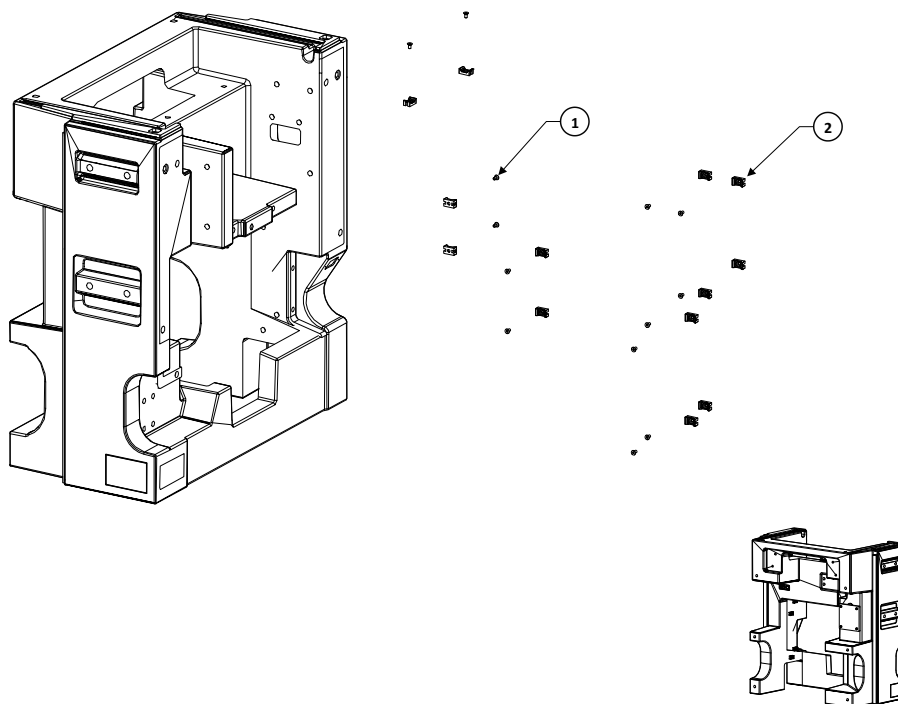
| Pos. | Artikel-Nr. | Menge | Variante | Notes |
|-------------|--------------------|--------------|-----------------|--------------|
| 1 | 58001605 | 1 | SINK GASKET | |
| 2 | 58001593 | 1 | RINSER GASKET | |



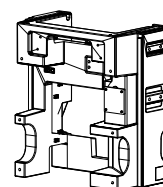
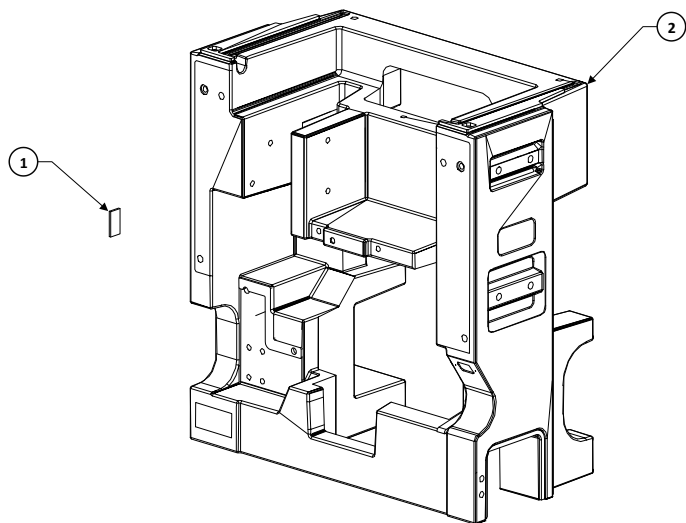
| Pos. | Artikel-Nr. | Menge | Variante | Notes |
|-------------|--------------------|--------------|------------------------------------|--------------|
| 1 | 58001559 | 4 | SHOULDER BOLT L 10MM | |
| 2 | 58001496 | 1 | R3OS12 RIGHT BACK LIDAR SLIT SONAR | |
| 3 | 58001590 | 2 | R3ORS25 STATUS LED | |
| 4 | 58001555 | 4 | SC25, LIDAR FRONT SIGNAL CABLE | |
| 5 | 58001431 | 4 | LED STRIP CLIP | |



| Pos. | Artikel-Nr. | Menge | Variante | Notes |
|-------------|--------------------|--------------|--------------------|--------------|
| 2 | 58001586 | 1 | R3ORS18 AXIAL FAN | |
| 2 | 58001561 | 4 | SIDE BRUSH ADAPTER | |

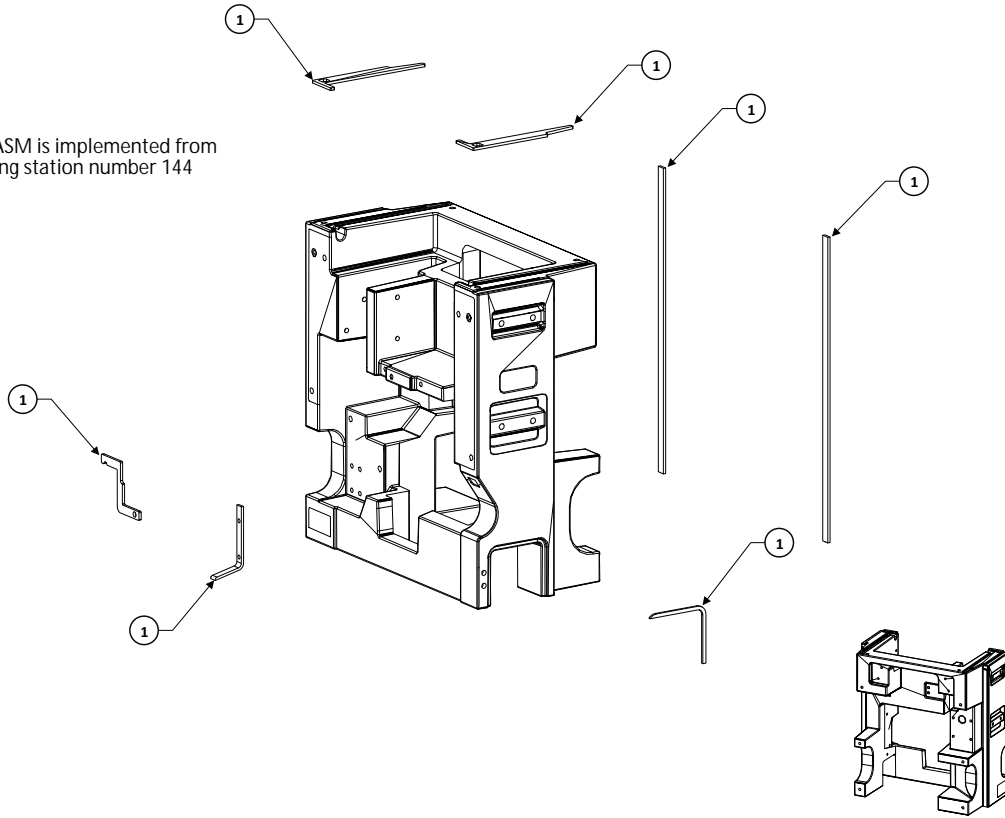


| Pos. | Artikel-Nr. | Menge | Variante | Notes |
|-------------|--------------------|--------------|-----------------------|--------------|
| 1 | 58000535 | 13 | M4 X 0.7 X 8 HX-FHCS | |
| 2 | 58001383 | 13 | CABLE TIE MOUNT 4.5MM | |



| Pos. | Artikel-Nr. | Menge | Variante | Notes |
|-------------|--------------------|--------------|-------------------------------|--------------|
| 1 | 58000293 | 1 | EPDM RUBBER STRIP 40 X 20 | |
| 2 | | 1 | Gasketed Docking Station Body | |

This ASM is implemented from
docking station number 144



GASKETTED DOCKING STATION BODY

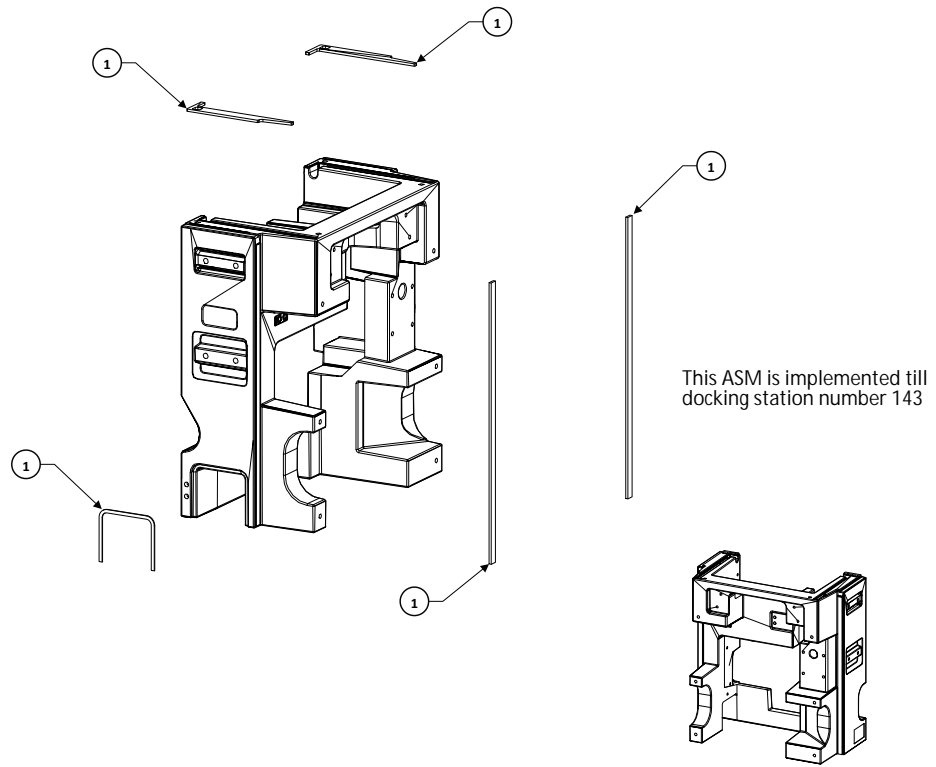
SC25

2025.08.04

2025.08.05

| Pos. | Artikel-Nr. | Menge | Variante | Notes |
|------|-------------|-------|-----------------------------|-------|
| 1 | | 1 | Docking Station Body Gasket | |

OLD ASM



GASKETTED DOCKING STATION BODY 2

SC25

2025.08.04

2025.08.05

| Pos. | Artikel-Nr. | Menge | Variante | Notes |
|------|-------------|-------|-----------------------------|-------|
| 1 | | 1 | Docking Station Body Gasket | |

