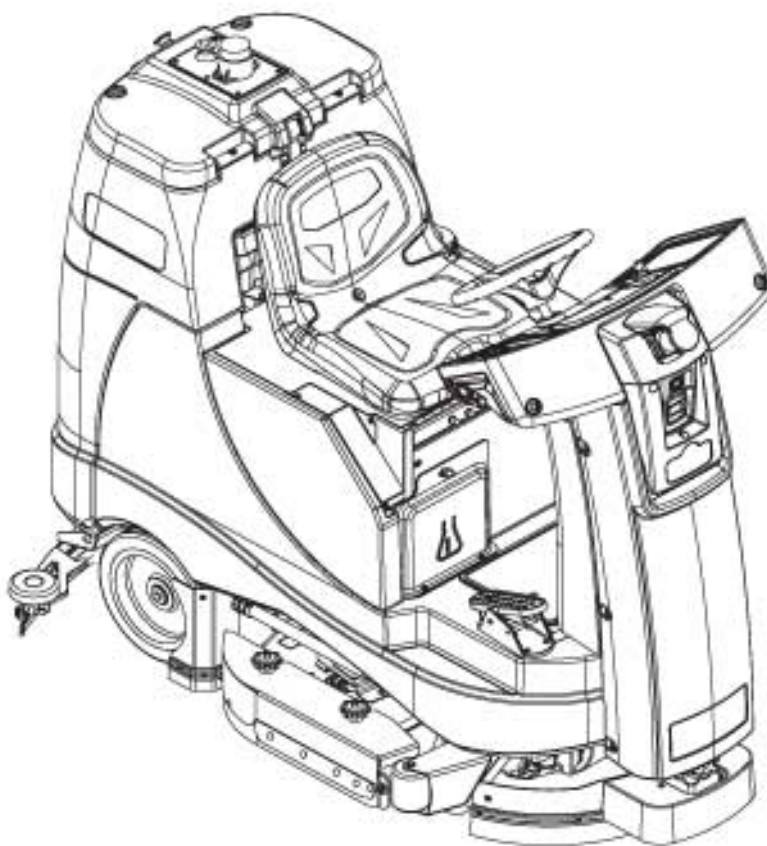


PARTS LIST

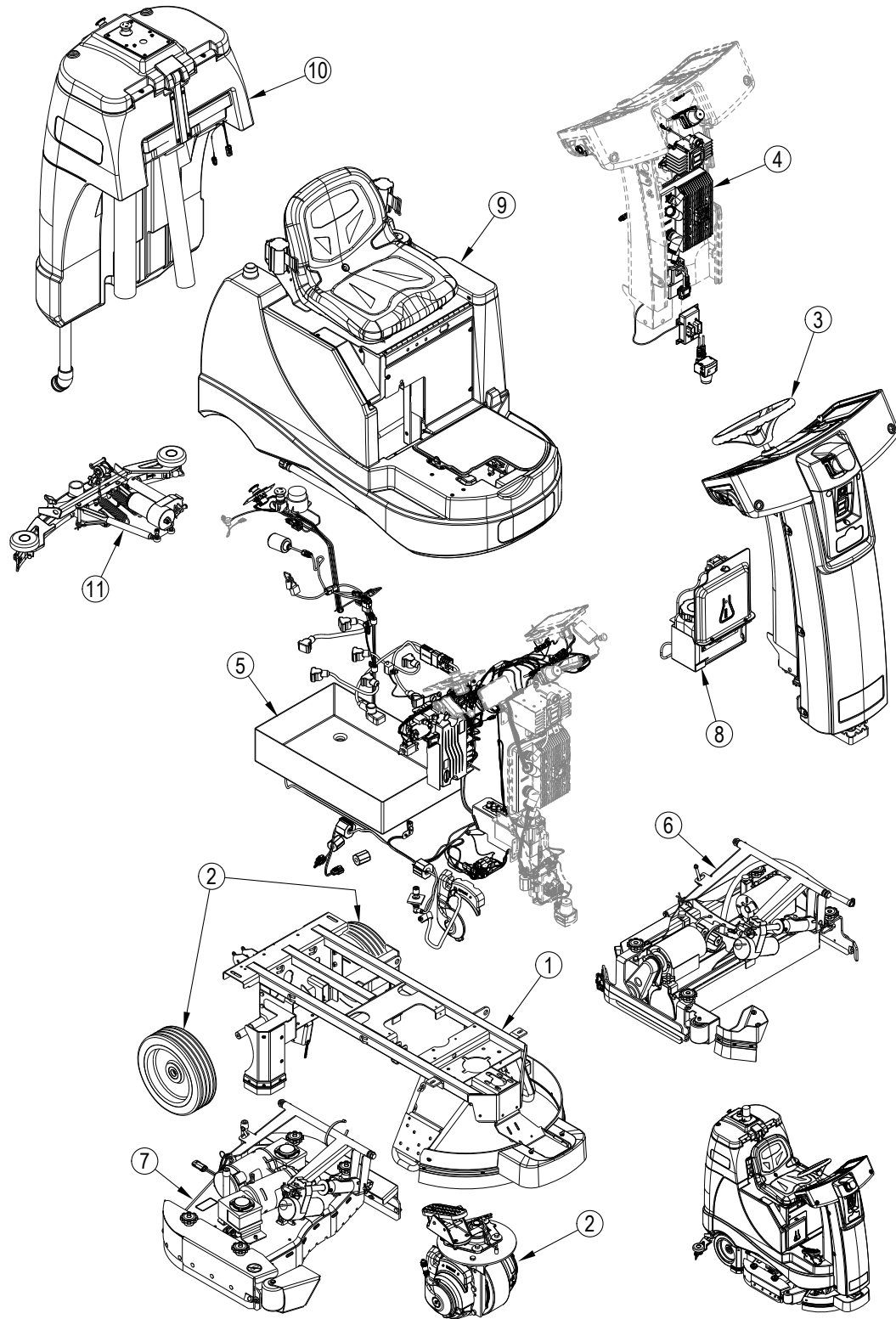


2025.08.28

NILFISK

TABLE OF CONTENTS

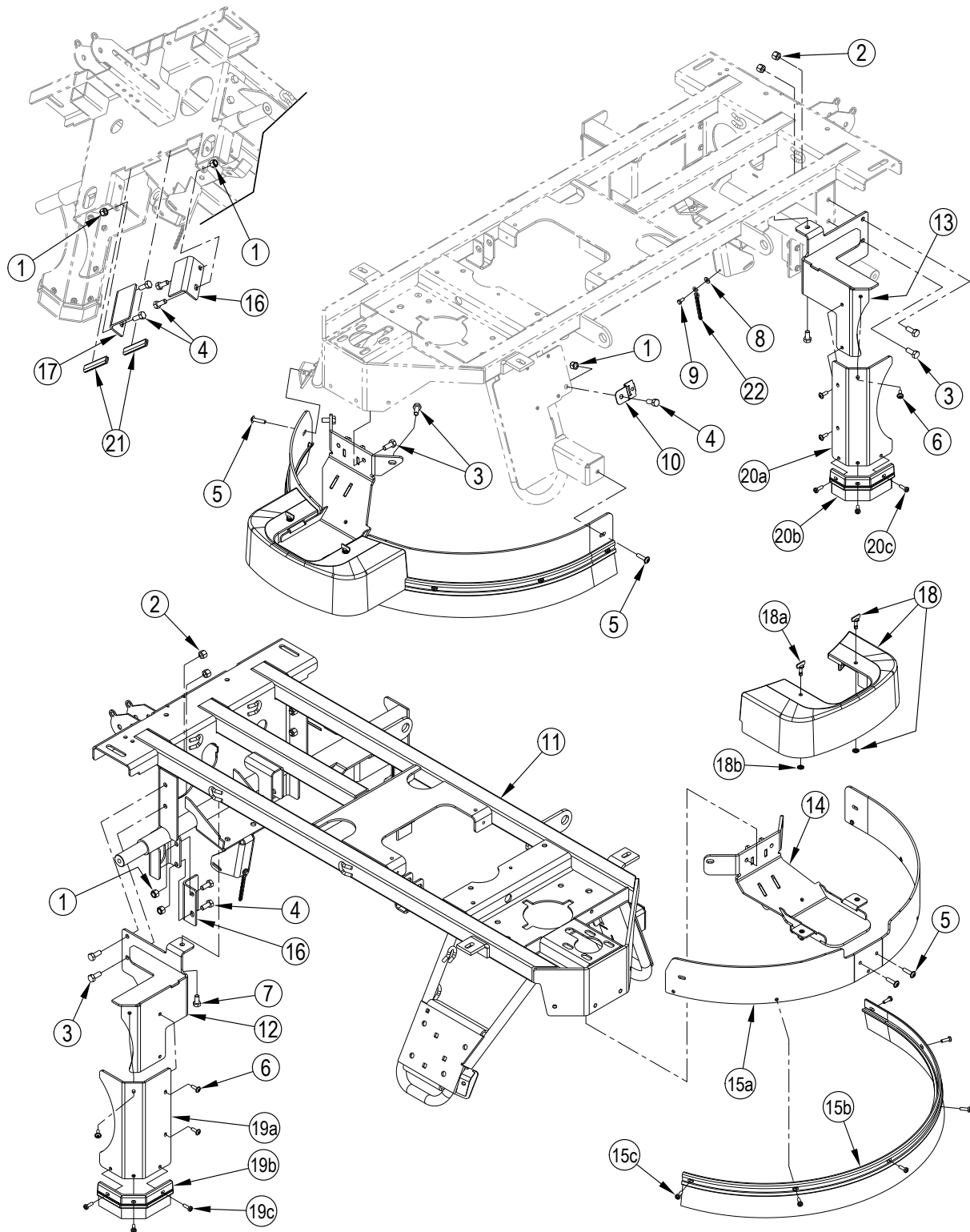
General View	1
Chassis System	3
Drive and Wheel System	5
Decal System	7
Steering System	9
Autonomy System	12
Electrical System-1	15
Electrical System-2	18
Electrical System-3	21
Electrical System-4	24
Electrical System-5	27
Electrical System-6	30
Electrical System-7	33
Electrical System-8	36
SCRUB SYSTEM-CYLINDRICAL-1	39
SCRUB SYSTEM-CYLINDRICAL-2	42
Scrub System-Disc 1	45
Scrub System-Disc 2	48
SIDE BLADE ASSEMBLY-FIXED-LH	51
SIDE BLADE ASSEMBLY-FIXED-RH	53
Scrub System Brush Skirt Assembly-RH	55
Scrub System Brush Skirt Assembly-LH	57
Detergent Dispensing System	59
Solution System-1	61
Solution System-2	64
Recovery System	67
Sensor Assembly	70
Controller Assembly	72
Horizontal Lidar Assembly	74
Squeegee System	76
Squeegee System Squeegee Asembly	78
Ladder Diagram-1	80
Ladder Diagram-2	83
Ladder Diagram-3	86
Ladder Diagram-4	88
Ladder Diagram-5	91
Optional Kits & Accessories	94
Recommended Spare Parts	97
Brush Selector Guide	101
56123096 WHEEL DRIVE MOTOR	103



Pos.	Artikel-Nr.	Menge	Variante	Notes
1		1	Chassis System	[1]
2		1	Drive and Wheel System	[2]
3		1	Steering System	[3]
4		1	Autonomy System	[4]
5		1	Electrical System	[5]
6			Scrub System-Cylindrical	[6]
7		1	Scrub System-Disc	[7]
8		1	Detergent Dispensing System	[8]
9		1	Solution System	[9]
10		1	Recovery System	[10]
11		1	Squeegee System	[11]

Part Notes:

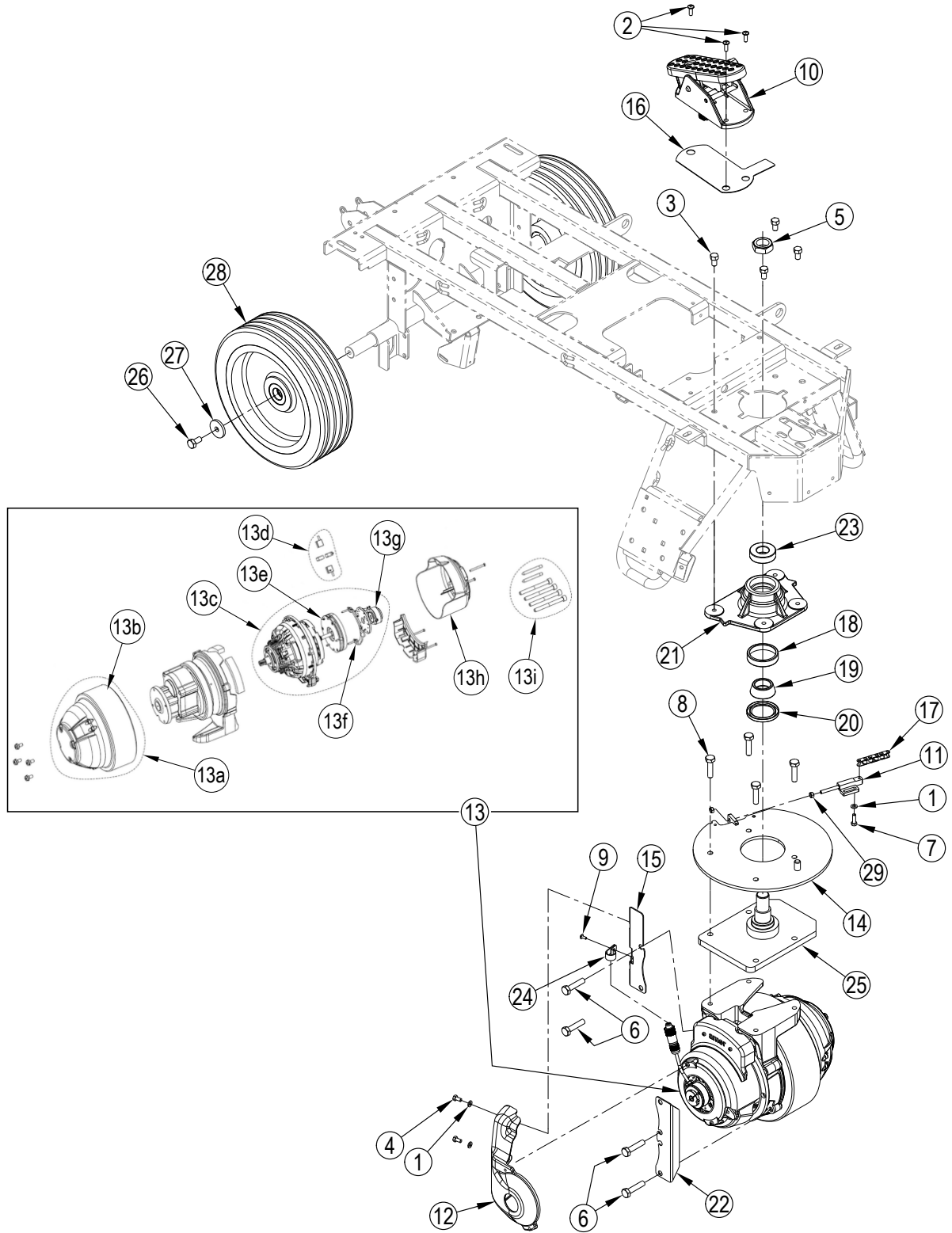
- [1] - Chassis System
- [2] - Drive and Wheel System
- [3] - Steering System
- [4] - Autonomy System
- [5] - Electrical System-1, Electrical System-1-Circuit Breaker Assembly, Electrical System-2, Electrical System-3, Electrical System-4, Electrical System-5, Electrical System-6, Electrical System-7, Electrical System-8
- [6] - SCRUB SYSTEM-CYLINDRICAL-1
SCRUB SYSTEM-CYLINDRICAL-2
- [7] - Scrub System-Disc 1, Scrub System-Disc 2, Scrub System Brush Skirt Assembly-RH, Scrub System Brush Skirt Assembly-LH
- [8] - Detergent Dispensing System
- [9] - Solution System-1, Solution System-2
- [10] - Recovery System
- [11] - Squeegee System, Squeegee System Squeegee Asembly



Pos.	Artikel-Nr.	Menge	Variante	Notes
1	56002856	5	"Mutter Nylon LOC 5/16""	
2	56003405	4	Stopmutter M8 Inox	
3	56003435	8	Schraube M8-1,25 x 2	
4	56003925	5	SCR-HEX LOC SS 5/16-18 X .75	
5	56004185	4	SCR M6X1.0X20 HEX FLG DIN6921	
6	56004184	6	SCR M5X0.8X16 HEX FLG DIN6921	
7	56004172	2	SCR M8-1.25X16 HEX THD FRM ZNC	
8	56009011	1	WSH, INT SHPRF	
9	56009012	1	Schraube 10-24 x 3/8Siehe 56009039	
10	56111972	1	CLIP-CONNECTOR	
11	56123050	1	CHASSIS WELDMENT	
12	56123207	1	RIGHT GUARD WELDMENT	[1]
13	56123211	1	LEFT GUARD WELDMENT	[1]
14	56123225	1	FRONT GUARD WELDMENT	
15		1	Front Guard Assembly	
15a	56123212	1	GUARD-FRONT-WHEEL	
15b	56123213	1	Frontschürze	
15c	L08603744	6	Schrauben M 5x16	
16	56123277	1	STOP-SQUEEGEE-RIGHT	
17	56123278	1	STOP-SQUEEGEE-LEFT	
18	56123280	1	LIDAR COVER ASSEMBLY	
18a	56123274	2	FASTENER-1/4-TURN	
18b	56123275	2	RETAINER-PUSH-ON	
19		1	Right Cover Assembly	
19a	56123205	1	COVER-RIGHT-WHEEL	
19b	56123206	1	Lamelle rechts	
19c	L08603744	3	Schrauben M 5x16	
20		1	Left Cover Assembly	
20a	56123209	1	COVER-LEFT-WHEEL	
20b	56123210	1	Lamelle links	
20c	L08603744	3	Schrauben M 5x16	
21	56412122	2	Kantenschutz	
22	56601716	1	GROUND CHAIN	

Part Notes:

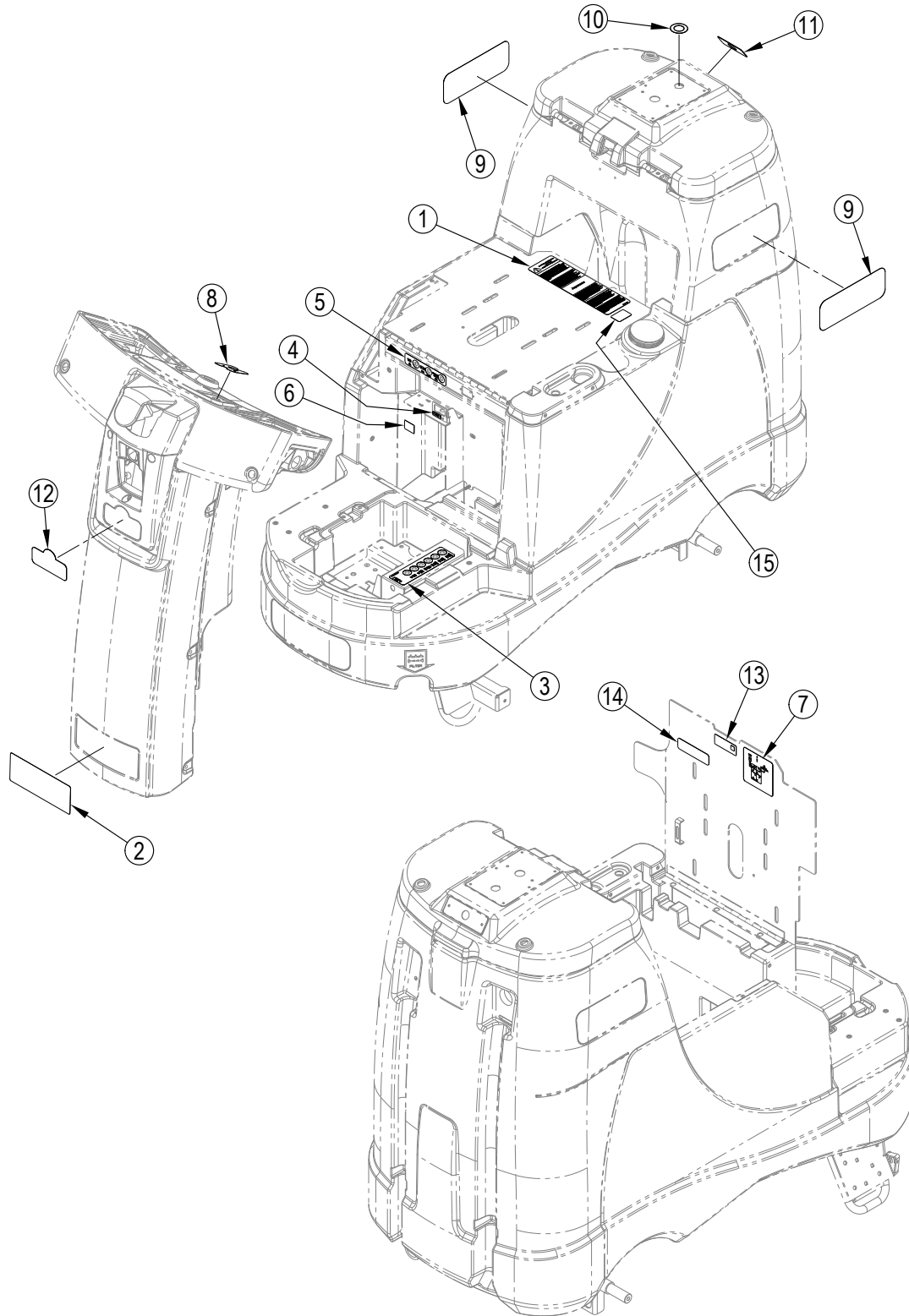
- [1] - TSB-FC-2022-020-SC60 Liberty SC60 Rear Wheel Guards Modification
DE TSB-FC-2022-020 SC60 Modifikation der hinteren Radabdeckungen



Pos.	Artikel-Nr.	Menge	Variante	Notes
1	33005875	3	ER M6 UNI6592 SS	
2	56002957	3	Schraube SS 1/4 - 20 X	
3	56003040	4	Schraube HEX LOC3/8-16*62	
4	56003211	2	Schraube HEX HDSS	
5	56003220	1	Schraube	
6	56003445	4	SCR HEX NYL LOC M10-1.50X45MM	
7	56003454	1	Schraube HEX ZHD TO HD	
8	56003491	4	Schraube HEX M10-1.5	
9	56004097	1	SCR TRX M4X10 BK ZC W/THD LCK	
10	56123358-Sp	1	PEDAL-UNI DIRECTION-HALL	[1]
11	56117874-SP	1	TENSIONER WELDMENT	
12	56123072	1	COVER-ENCODER	
13	56123096	1	MOTOR-DRIVE WHEEL-W/ ENCODER	[2]
13a	56123191	1	TIRE/HUB ASSEMBLY	
13b	56601471	1	Rad	
13c	56123192	1	MOTOR-DRIVE WHEEL	
13d	56601509	1	Kohlebürstenkit	
13e	56123193	1	BRAKE-PARKING	[3]
13f	56380310	1	KIT BRAKE LEVER	
13g	56123196	1	ENCODER-DRIVE WHEEL	[4]
13h	56123194	1	COVER-DRIVE MOTOR	
13i	56422174	1	TIRE PULLER KIT	
14	56123146	1	STEERING PLATE WELDMENT	
15	56123293	1	BRACKET-WHEEL-HARNESS	
16	56123178	1	PLATE-FOOT PEDAL	
17	56123295	1	CHAIN-ROLLER	
18	56158143	1	Lagerschale	
19	56158151	1	Kegelrollenlager	
20	56171081	1	Simmenring	
21	56314032	1	Lagerblock	
22	56344100	1	BRACKET WHEEL	
23	56378380	1	Kugellager 0.9843	
24	56442003	1	Kabelklammer	
25	56601077	1	SPINDLE WELDT	
26	56003442	2	SCR HEX LOC M10-1.50X20MM	
27	56367117	2	Scheibe Stahl	
28	56382693	2	Rad	
29	1459960000	1	NUT M6 SS	

Part Notes:

- [1] - NOTE 1: Item 13e Is also refered to as EM BRAKE
NOTE 2: Item 10 Is also refered to as DRIVE PEDAL
- [2] - NOTE 3: Item 13 Is also refered to as DRIVE WHEEL MOTOR
- [3] - NOTE 1: Item 13e Is also refered to as EM BRAKE
- [4] - NOTE 4: Item 13g Is also refered to as DRIVE WHEEL ANGLE ENCODER



Pos.	Artikel-Nr.	Menge	Variante	Notes
1	56014601	1	DECAL, CAUTION	
2	1463789000	1	DECAL NILFISK 210X83MM F LIGHT GREY SURF	
3	56123048	1	DECAL-CIRCUIT BREAKER	
4	56123065	1	DECAL-BYPASS	
5	56123069	1	DECAL-CIRCUIT BREAKER	
6	56123083	1	DECAL-CHEMICAL RATIO	
7	56123085	1	DECAL-BATTERY WIRING	
8	56123086	1	DECAL-KEY SWITCH	
9	56123099	2	DECAL-LIBERTY SC60	
10	56123156	1	DECAL-EMERGENCY STOP	
11	56123157	1	DECAL-PLAY/PAUSE	
12	56123162	1	DECAL-BRAIN CORP	
13		1	Decal-Robot Id Number	
14	56123200	1	DECAL-PATENT-NILFISK-BRAIN	[1]
15	56394259	1	DECAL-PROP 65	

Part Notes:

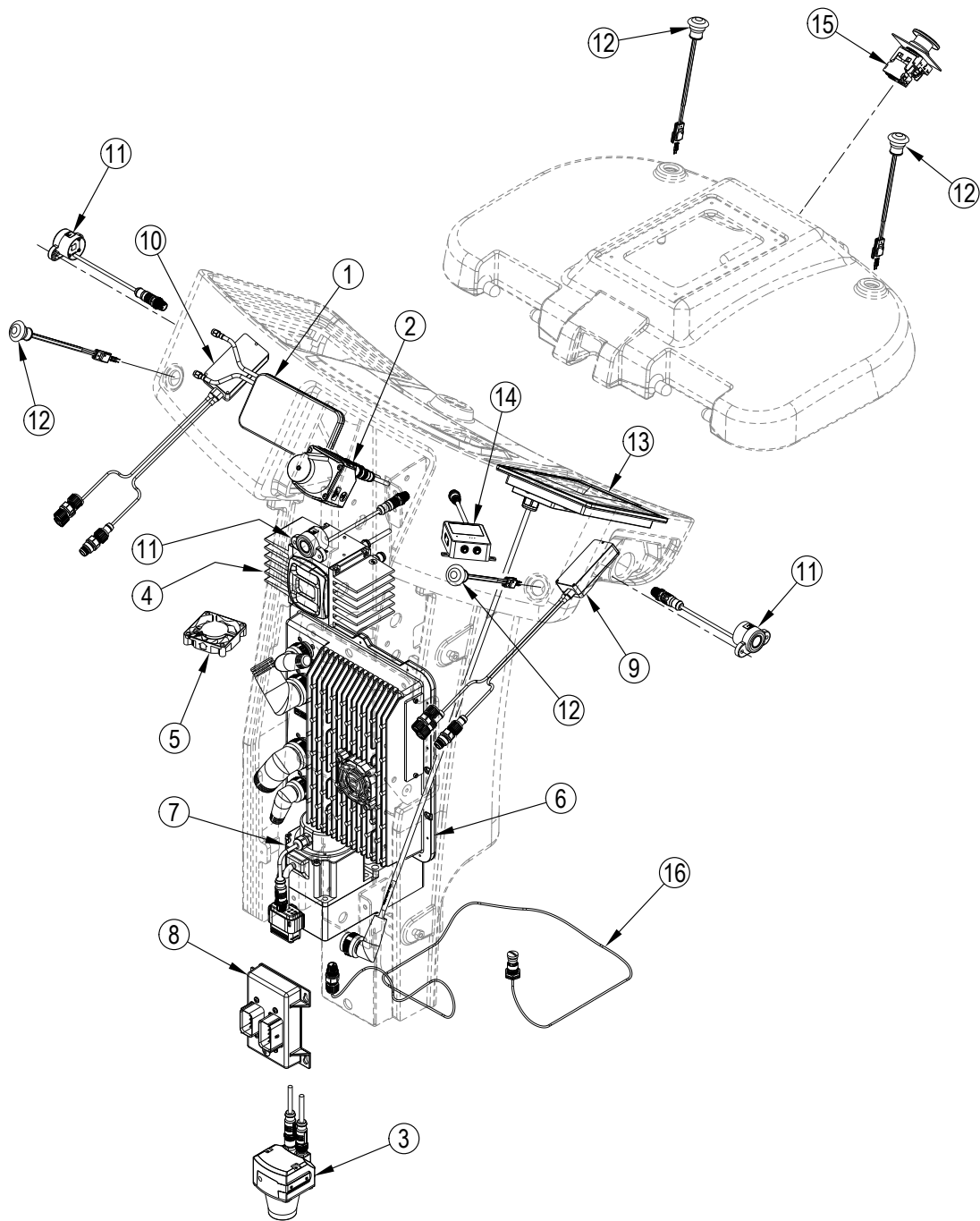
[1] - Obsolete: replaced by 56040140

Pos.	Artikel-Nr.	Menge	Variante	Notes
1	56001816	4	SCR M3.5X14 TRX PLASTITE	
2	56001879	1	U-SCHEIBEN	
3	56002840	4	Nut 1/4 20	
4	56002843	1	NUT HEX NYL LOC-THIN1/2-1	
5	56003178	2	Schraube HEX THD TO HD	
6	56003186	4	Schrauben	
7	56003227	1	KEY / Paßfeder	
8	56003357	4	SCR SOC THD TO HD M6 X 12.0	[1]
9	56003426	2	Stoppmutter M6 Inox	
10	56004018	5	SCR M6X25 ISO7380-2 FLG BLK	
11	56004097	4	SCR TRX M4X10 BK ZC W/THD LCK	
12	56004100	13	SCR TRX M6X12 W/THD LCK BLK	
13	56004156	6	SCREW FLAT TRX M3X6 SS	
14	56004157	11	SCR TRX M6X16 W/THD LCK BLK	
15		1	Velcro-Hook And Loop P1	[2]
16	56123020	1	LOWER COLUMN MOUNT WELDMENT	
17	56123024	2	BRACKET-SHROUD	
18	56123025	1	BRACKET-COLUMN MOUNTING	
19	56123026	1	HORIZONTAL LIDAR ASSEMBLY	
20		1	Sensor Assy	
21	56123066	1	PLATE-NUT-STEERING COLUMN	
22	56123114	1	CONSOLE-STEERING	
23	56123117	1	CAP-SIDE-LEFT	
24	56123118	1	CAP-SIDE-RIGHT	
25	56123119	1	BEZEL-COLUMN-FRONT	
26	56123121	1	SHROUD-COLUMN-FRONT	
27	56123153	2	PLATE-MOUNT-3D SENSOR	
28	56123154	1	PANEL-KEY SWITCH MOUNT	
29	56123155	1	GASKET-KEY SWITCH PANEL	
30		1	Controller Assy	
31		1	Steering Column Assembly	
31a	56002086	1	Madenschraube	
31b	56002523	4	SCR PAN HD PHIL HP5 8-32 X .38	
31c	56003178	4	Schraube HEX THD TO HD	
31d	56004016	4	SCR-SET-KNURL-SOC HD-M5-0.8X5	
31e	56004163	1	KEY SQ RND .19X1.0 CS ZINC	
31f	56004164	4	KEY SQ RND 6X25MM DIN 6885A CS	
31g	56004166	1	RING-RET-SPIRAL-EXT-SS-0.75	
31h	56100393	2	Büchse BR 1100	
31i	56104157	4	COLLAR	
31j	56104267	2	BEARING FLANGE	
31k	56117942	1	UJOINT-DOUBLE-18MM	
31l	56123013	1	STEERING COLUMN WELDMENT	
31m	56123049	1	SHAFT-STEERING-LOWER	
31n	56123092	1	SHAFT-STEERING-UPPER	
31o		1	Steering Gear Motor Assembly	
31p	56003389	4	MutterHEX NYL LOC M8-1.25	
31q	56123160	1	MOUNTING BRACKET WELDMENT	
31r	145 5741 000	4	Schraube	
31s	56123185	1	SHAFT-STEERING WHEEL	
31t	56123198	2	SPACER-SHAFT	[3]
31u	56123239	1	PAD-GRIP-CONSOLE	
31v	56367095	1	Ring zu 5015B	
31w	56471148	1	Zahnrad	
32	56123181	2	BRACE-CONSOLE-FRONT	
33	56123331	2	RETAINER-BELT	
34	56601060	1	STEERING WHEEL	
35	302004029	18	SCREW 5X18	
36	33023198	4	WASHER PLAIN M4 ISO7089 10 PCS SET	

Pos.	Artikel-Nr.	Menge	Variante	Notes
37	56004005	4	SCR-BUTTON SOC SS M4-0.7X20	
38	88623a	4	Mutter M4	
39	56004187	4	SCR W1452 M5X20 BK ZC	
40	56123329	1	PLATE-NUT-BLUE LIGHT	
			Service Kits	
K1	56123325	1	COMM MODULE KIT-UNIVERSAL	[4]
K2	56123325	1	COMM MODULE KIT-UNIVERSAL	[4]

Part Notes:

- [1] - Closed SEE MI-SP-007
- [2] - K1,K2
- [3] - EXPIRED USE 56123365
- [4] - IS56090449 - Comm Module Kit-Universal - 56123325



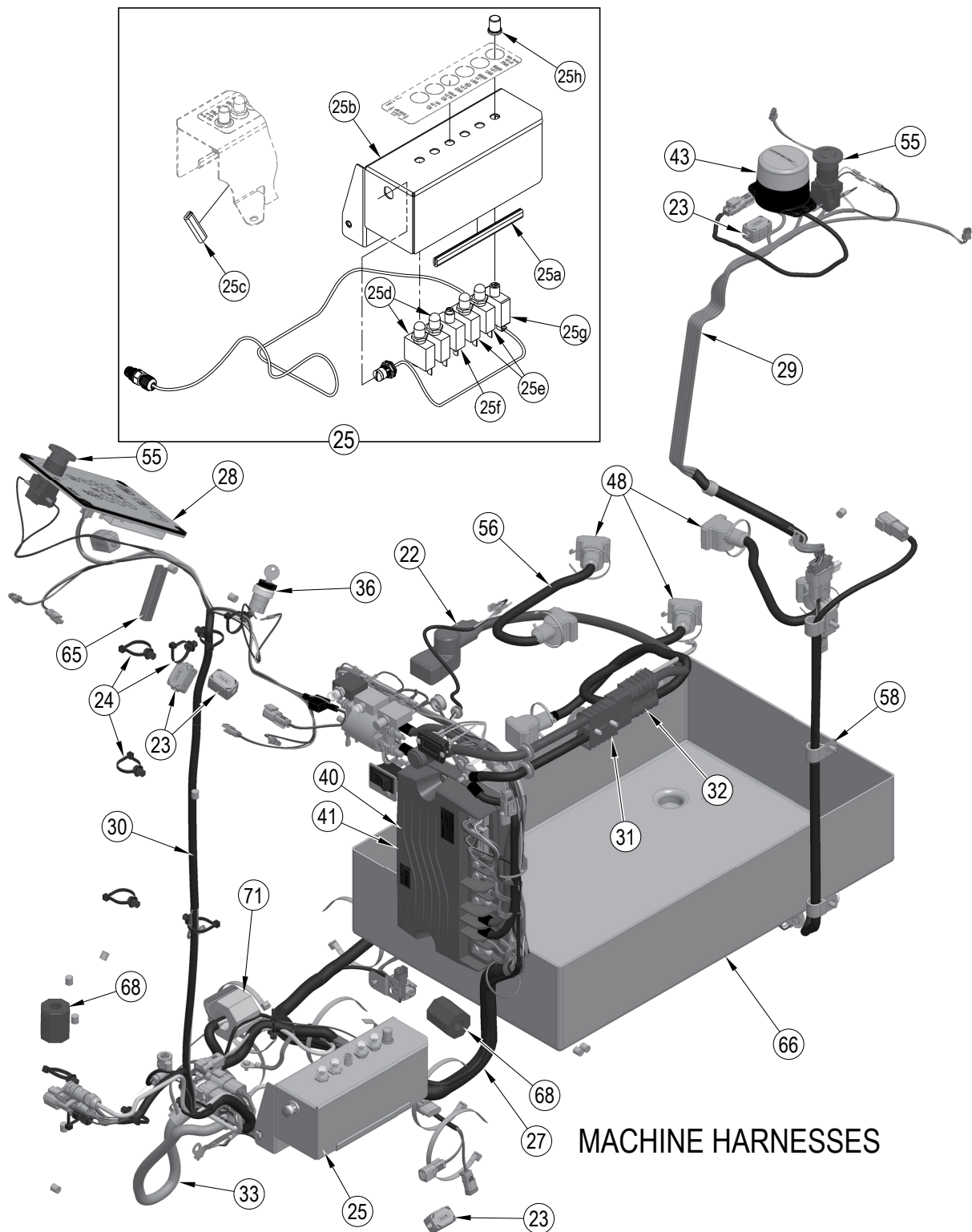
Pos.	Artikel-Nr.	Menge	Variante	Notes
1		1	Antenna-Cellular-Lte 1-2-Sma	[1]
2		1	Lidar-Slanted	[2]
3		1	Lidar-Horizontal	[3]
4		1	Camera-3d-Front	[4]
5	56123056	1	FAN-COOLING-60MM	[5]
6		1	Module-Control	[6]
7		1	Gearmotor-Steering-24vdc	[7]
8	56123059	1	MODULE-MOTOR AMPLIFIER	[8]
9		1	3d Sensor-Left	[9]
10		1	3d Sensor-Right	[10]
11		3	2d Sensor-5vdc	[11]
12	56123074	4	TURN SIGNAL ASSEMBLY	[12]
13		1	Module-Touch Screen	[13]
14		1	Module-Communications-Global	[14]
		1	Module-Communications-Canada	[15]
15		1	Button-Start-Pause	[16]
16	56123090	1	CABLE-SERVICE PORT-ETHERNET	
17	56123091	1	HARNES-UPPER TRUNK	[17]
18	56123233	1	HARNES-DOWN TRUNK	[17]
19	56123234	1	HARNES-POWER TRUNK	[17]
			Service Kits	
K1	56123252	1	SLANTED LIDAR KIT	[18]
K2	56123253	1	HORIZONTAL LIDAR KIT	[19]
K3	56123254	1	FRONT 3D CAMERA KIT	[20]
K4	56123057	1	MODULE-CONTROL	[21]
K5	56123256	1	STEERING GEAR MOTOR KIT	[22]
K6	56123325	1	COMM MODULE KIT-UNIVERSAL	[23]
K7	56123325	1	COMM MODULE KIT-UNIVERSAL	[24]
K11	56123262	1	3D SENSOR KIT-LEFT	[25]
K12	56123263	1	3D SENSOR KIT-RIGHT	[26]
K13	56123264	1	2D SENSOR KIT	[27]
K14	56123265	1	START/PAUSE BUTTON KIT	[28]
K15	56123250	1	CELLULAR ANTENNA KIT	[29]
K16	56123251	1	TOUCH SCREEN KIT	[30]

Part Notes:

- [1] - K15
- [2] - K1 - P7 Item 7 Is also referred to as STEERING MOTOR
- [3] - K2 - P6 Item 3 Is also referred to as 2D MAPPING LIDAR Horizontal Lidar Assembly
- [4] - K3 - P10 Item 4 Is also referred to as FRONT 3D OBSTACLE CAMERA
- [5] - M11, Item 5 Is also referred to as FRONT 3D OBSTACLE CAMERA FAN
- [6] - K4 - ACM, M9, Item 6 Is also referred to as AUTONOMY CONTROL MODULE
- [7] - K5 - M10, Item 7 Is also referred to as STEERING MOTOR
- [8] - SC Item 8 Is also referred to as STEERING CONTROLLER
- [9] - K11 - P14 Item 9 Is also referred to as LEFT 3D OBSTACLE CAMERA
- [10] - K12 - P2 Item 10 Is also referred to as RIGHT 3D OBSTACLE CAMERA
- [11] - K13 - P3, P9, P13 Item 11 Is also referred to as FRONT 2D ENVIRONMENT CAMERA
- [12] - P4, P12, Item 12 Is also referred to as TURN_SIGNAL FRONT_RIGHT
- [13] - K16 - ATS, Item 13 Is also referred to as AUTONOMY TOUCH SCREEN
- [14] - K6 - P1, Item 14 Is also referred to as LTE_MODEM
- [15] - K7 - P1, Item 14 Is also referred to as LTE_MODEM
- [16] - K14 - S5 S7 Item 15 Is also referred to as START PAUSE BUTTON
- [17] - Not Shown
- [18] - IS56090443 - Slanted Lidar Kit - 56123252 P7
- [19] - IS56090444 - Horizontal Lidar Kit - 56123253 P6
- [20] - IS56090445 - Front 3D Camera Kit - 56123254 P10

- [21] - EXPIRED ON 5/05/2021
ACM, M9
- [22] - IS56090447 - Steering Gearmotor Kit - 56123256
M10
- [23] - IS56090449 - Comm Module Kit-Universal - 56123325

P1
- [24] - IS56090449 - Comm Module Kit-Universal - 56123325
P1
- [25] - IS56090453 - 3D Sensor Kit-Left - 56123262
P14
- [26] - IS56090454 - 3D Sensor Kit-Right - 56123263
REPLACED BY 56123384
P2
- [27] - IS56090455 - 2D Camera Kit - 56123264
K13 - P3, P9, P13 FRONT 2D ENVIRONMENT CAMERA
- [28] - IS56090456 - Start-Pause Button Kit - 56123265
S5 S7
- [29] - IS56090441 - Cellular Antenna Kit - 56123250
- [30] - IS56090442 - Touchscreen Kit - 56123251
ATS



MACHINE HARNESSES

Resource notes:

- NOTE 1: Item 36 Is also referred to as SWITCH KEY
- NOTE 2: Item 42 Is also referred to as HORN
- NOTE 3: Item 52 Is also referred to as HOUR METER
- NOTE 4: Item 43 Is also referred to as LAMP, FLASHING
- NOTE 5: Item 54 Is also referred to as MAIN CONTACTOR
- NOTE 6: Item 55 Is also referred to as SW E-STOP REAR, OR SW E-STOP FRONT
- NOTE 7: Item 49 Is also referred to as SW AUTONOMY BYPASS
- NOTE 8: Item 28 Is also referred to as SCRUB INTERFACE BOARD

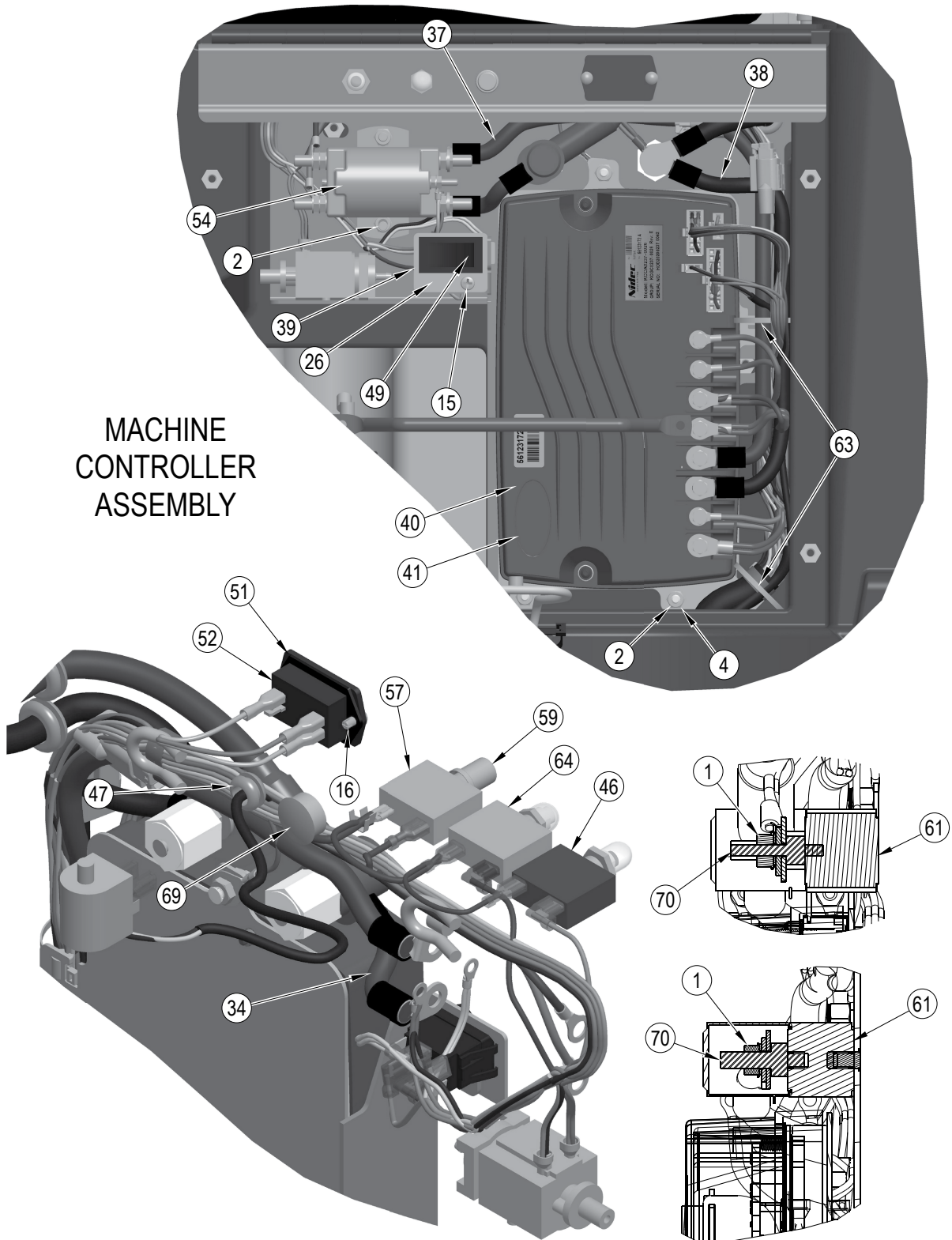
Pos.	Artikel-Nr.	Menge	Variante	Notes
1	56002561	3	NUT HEX W/SHRPF 1/4/20	
2	56002708	5	Stopmutter 1/4-20	
3	56002808	1	NUT HEX NYLOC 8-32	
4	56002840	3	Nut 1/4 20	
5	56002856	1	"Mutter Nylon LOC 5/16""	
6	56002875	1	U-Scheibe FLT SAE SS/8	
7	56002938	1	WSH FLT SAE SS 5/16	
8	56002957	1	Schraube SS 1/4 - 20 X	
9	56002997	2	Schraube	
10	56003007	1	SCR HEX 8-32 X .50	[1]
11	56003119	2	SCR PAN PHIL SS 1/4 20 X .50.	
12	56003925	1	SCR-HEX LOC SS 5/16-18 X .75	
13	56009012	2	Schraube 10-24 x 3/8Siehe 56009039	
14	56009019	2	Schraube 1/4-20x.38	
15	56009030	1	Schraube 10-2	
16		2	Rivet, Push Nylon Black	[2]
17	56009225	1	Unterlegscheibe	
18	56046309	2	U-Scheibe	
19	56111972	1	CLIP-CONNECTOR	
20	56115432	1	FUSE-150 AMP	
21	56115433	1	HOLDER-FUSE	
22	56115434	1	BOOT-FUSE HOLDER	
23	56115456	5	FERRITE BEAD	
24	56116611	13	CABLE TIE MOUNT	
25		1	Circuit Breaker Assembly	
25a	56107611	1	TRIM-EDGE	
25b	56123047	1	BRACKET-CIRCUIT BREAKER	
25c	56123230	1	TRIM-EDGE	
25d	56315255	2	CIRCUIT BREAKER 5 AMP	
25e	56315256	2	CIRCUIT BREAKER 30 AMP	
25f	56413822	1	CIRCUIT BREAKER 20 AMP	
25g	56454429	1	CIRCUIT BREAKER 70A	
25h	56459369	1	Abdeckung Rückstellknopf5015	
26	56123065	1	DECAL-BYPASS	
27	56123102	1	MAIN HARNESS	
NS	56123266	3	DIODE-TERMINATING-DT SERIES	
28	56123122	1	USER INTERFACE ASSEMBLY	
29	56123130	1	HARNESS-RECOVERY LID	
30	56123131	1	HARNESS-COLUMN	
31	56123132	1	CABLE ASM-MACHINE	
32	56123133	1	CABLE ASM-BATTERY	
33	56123134	1	HARNESS-TRACTION	
34	56123135	1	WIRE ASM	
35	56123138	1	RESISTOR ASSEMBLY-1.5K OHMS	
36		1	Switch-Key-W/Key S4 NOTE 1	[3]
NS	56123246	1	KEY-REPLACEMENT SET	
37	56123149	1	WIRE ASM	
38	56123150	1	WIRE ASM	
39	56123166	1	PLATE-SWITCH MOUNTING	
40		1	Machine Controller Assembly	[4]
NS	56123045	1	PLATE-CONTROLLER MOUNTING	
NS	56004169	2	SCR M4X30 ISO7380-2 FLG BLK	
41		1	Controller-Machine-Cyl	[5]
42	56123271	1	HORN-BACKUP ALARM-5 TO 28 VDC	
43	56123286	1	BEACON-LED	
44	56157376	2	GROMMET 1 OD X 9/16 ID X 5/	
45	56305317	2	Klammer	
46	56315255	1	CIRCUIT BREAKER 5 AMP	
47	56321540	1	GROMMET .500 HC42D	

Pos.	Artikel-Nr.	Menge	Variante	Notes
48	56372673	7	BOOT, BATTERY POST	
49	56381824	1	SWITCH ROCKER DPDT ON-ON	
50	56383973	20	CABLE TIE-BLACK-8 INCH	
51		1	Gasket	[2]
52		1	Hourmeter HM, NOTE 3	[2]
53	56394557	1	CLAMP-P-.625 DIA.	
54	56397088	1	Relais Bürstenmotor 24Vzu BA 550/650	
55		2	Disconnect, Emergency S6 NOTE 6	[6]
56	56409485	3	CABLE ASSY.1 X 15.00	
57	56413407	1	Sicherung 15A	
58	56419120	3	CLAMP HOSE SUPPORT 56E00616	
59	56459369	1	Abdeckung Rückstellknopf5015	
60	56469380	1	Kabelklammer	
61	56469858	2	INSULATED STANDOFF	
62	56477613	12	Kabelbändli 7x380mm	
63	56478246	9	CABLE TIE E00549 RE438BA	
64	56507644	1	CIRCUIT BREAKER 10 AMP	
65	56507903	2	TRIM-EDGE-.18X3.00	
66	56601213	1	Batteriebox	
67	56601215	1	PROP ROD SEAT	
68	56601686	3	FERRITE BEAD	
69	56900144	1	PLUG CAP E00046	
70	83302A	2	Bolzen 1/4-20	
71	56601687	2	FERRITE BEAD	
72	56123173	2	CLIP-CONNECTION	
			Service Kits	
K1	56123249	1	KEY SWITCH KIT	[7]
K2	56123247	1	EMERGENCY DISCONNECT KIT	[8]
K3	56123248	1	DISC MACHINE CONTROLLER KIT	
K4	56302198	1	HOUR METER KIT	[9]
K5	56123343	1	CYL MACHINE CONTROLLER KIT	

Part Notes:

- [1] - GUARANTEE DATE EXPIRED
- [2] - K4
- [3] - K1
- [4] - K3
- [5] - K5
- [6] - K2
- [7] - IS56090440 - Key Switch Kit - 56123249
- [8] - IS56090438 - Emergency Disconnect Kit - 56123247
- [9] - IS_56040583_FOR 56302198 HOUR METER KIT

MACHINE
CONTROLLER
ASSEMBLY



Resource notes:

NOTE 1: Item 36 Is also referred to as SWITCH KEY

NOTE 2: Item 42 Is also referred to as HORN

NOTE 3: Item 52 Is also referred to as HOUR METER

NOTE 4: Item 43 Is also referred to as LAMP, FLASHING

NOTE 5: Item 54 Is also referred to as MAIN CONTACTOR

NOTE 6: Item 55 Is also referred to as SW E-STOP REAR, OR SW E-STOP FRONT

NOTE 7: Item 49 Is also referred to as SW AUTONOMY BYPASS

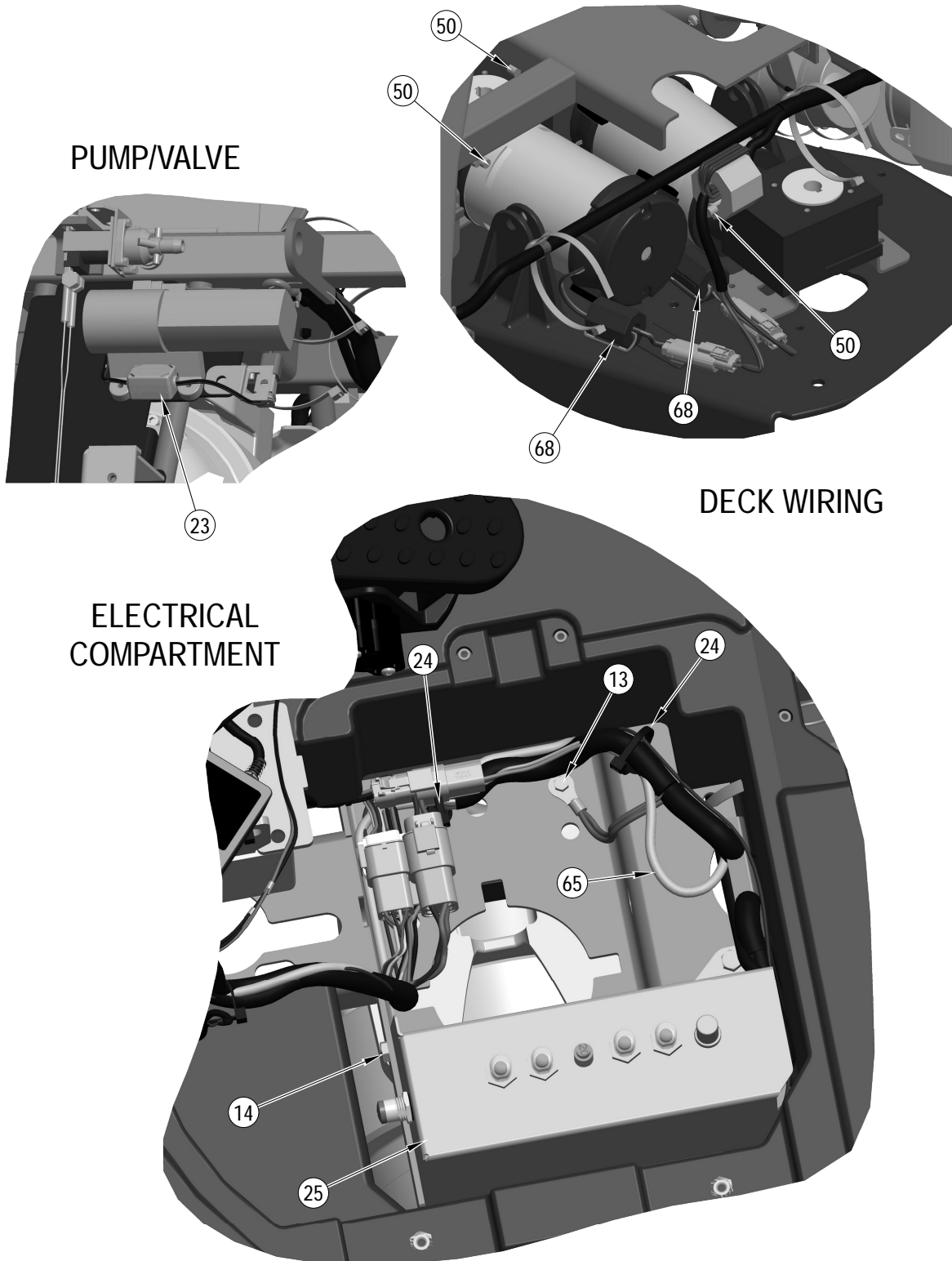
NOTE 8: Item 28 Is also referred to as SCRUB INTERFACE BOARD

Pos.	Artikel-Nr.	Menge	Variante	Notes
1	56002561	3	NUT HEX W/SHRPF 1/4/20	
2	56002708	5	Stopmutter 1/4-20	
3	56002808	1	NUT HEX NYLOC 8-32	
4	56002840	3	Nut 1/4 20	
5	56002856	1	"Mutter Nyon LOC 5/16""	
6	56002875	1	U-Scheibe FLT SAE SS/8	
7	56002938	1	WSH FLT SAE SS 5/16	
8	56002957	1	Schraube SS 1/4 - 20 X	
9	56002997	2	Schraube	
10	56003007	1	SCR HEX 8-32 X .50	[1]
11	56003119	2	SCR PAN PHIL SS 1/4 20 X .50.	
12	56003925	1	SCR-HEX LOC SS 5/16-18 X .75	
13	56009012	2	Schraube 10-24 x 3/8Siehe 56009039	
14	56009019	2	Schraube 1/4-20x.38	
15	56009030	1	Schraube 10-2	
16		2	Rivet, Push Nylon Black	[2]
17	56009225	1	Unterlegscheibe	
18	56046309	2	U-Scheibe	
19	56111972	1	CLIP-CONNECTOR	
20	56115432	1	FUSE-150 AMP	
21	56115433	1	HOLDER-FUSE	
22	56115434	1	BOOT-FUSE HOLDER	
23	56115456	5	FERRITE BEAD	
24	56116611	13	CABLE TIE MOUNT	
25		1	Circuit Breaker Assembly	
25a	56107611	1	TRIM-EDGE	
25b	56123047	1	BRACKET-CIRCUIT BREAKER	
25c	56123230	1	TRIM-EDGE	
25d	56315255	2	CIRCUIT BREAKER 5 AMP	
25e	56315256	2	CIRCUIT BREAKER 30 AMP	
25f	56413822	1	CIRCUIT BREAKER 20 AMP	
25g	56454429	1	CIRCUIT BREAKER 70A	
25h	56459369	1	Abdeckung Rückstellknopf5015	
26	56123065	1	DECAL-BYPASS	
27	56123102	1	MAIN HARNESS	
NS	56123266	3	DIODE-TERMINATING-DT SERIES	
28	56123122	1	USER INTERFACE ASSEMBLY	
29	56123130	1	HARNESS-RECOVERY LID	
30	56123131	1	HARNESS-COLUMN	
31	56123132	1	CABLE ASM-MACHINE	
32	56123133	1	CABLE ASM-BATTERY	
33	56123134	1	HARNESS-TRACTION	
34	56123135	1	WIRE ASM	
35	56123138	1	RESISTOR ASSEMBLY-1.5K OHMS	
36		1	Switch-Key-W/Key S4 NOTE 1	[3]
NS	56123246	1	KEY-REPLACEMENT SET	
37	56123149	1	WIRE ASM	
38	56123150	1	WIRE ASM	
39	56123166	1	PLATE-SWITCH MOUNTING	
40		1	Machine Controller Assembly	[4]
NS	56123045	1	PLATE-CONTROLLER MOUNTING	
NS	56004169	2	SCR M4X30 ISO7380-2 FLG BLK	
41		1	Controller-Machine-Cyl	[5]
42	56123271	1	HORN-BACKUP ALARM-5 TO 28 VDC	
43	56123286	1	BEACON-LED	
44	56157376	2	GROMMET 1 OD X 9/16 ID X 5/	
45	56305317	2	Klammer	
46	56315255	1	CIRCUIT BREAKER 5 AMP	
47	56321540	1	GROMMET .500 HC42D	

Pos.	Artikel-Nr.	Menge	Variante	Notes
48	56372673	7	BOOT, BATTERY POST	
49	56381824	1	SWITCH ROCKER DPDT ON-ON	
50	56383973	20	CABLE TIE-BLACK-8 INCH	
51		1	Gasket	[2]
52		1	Hourmeter HM, NOTE 3	[2]
53	56394557	1	CLAMP-P-.625 DIA.	
54	56397088	1	Relais Bürstenmotor 24Vzu BA 550/650	
55		2	Disconnect, Emergency S6 NOTE 6	[6]
56	56409485	3	CABLE ASSY.1 X 15.00	
57	56413407	1	Sicherung 15A	
58	56419120	3	CLAMP HOSE SUPPORT 56E00616	
59	56459369	1	Abdeckung Rückstellknopf5015	
60	56469380	1	Kabelklammer	
61	56469858	2	INSULATED STANDOFF	
62	56477613	12	Kabelbändli 7x380mm	
63	56478246	9	CABLE TIE E00549 RE438BA	
64	56507644	1	CIRCUIT BREAKER 10 AMP	
65	56507903	2	TRIM-EDGE-.18X3.00	
66	56601213	1	Batteriebox	
67	56601215	1	PROP ROD SEAT	
68	56601686	3	FERRITE BEAD	
69	56900144	1	PLUG CAP E00046	
70	83302A	2	Bolzen 1/4-20	
71	56601687	2	FERRITE BEAD	
72	56123173	2	CLIP-CONNECTION	
			Service Kits	
K1	56123249	1	KEY SWITCH KIT	[7]
K2	56123247	1	EMERGENCY DISCONNECT KIT	[8]
K3	56123248	1	DISC MACHINE CONTROLLER KIT	
K4	56302198	1	HOUR METER KIT	[9]
K5	56123343	1	CYL MACHINE CONTROLLER KIT	

Part Notes:

- [1] - GUARANTEE DATE EXPIRED
- [2] - K4
- [3] - K1
- [4] - K3
- [5] - K5
- [6] - K2
- [7] - IS56090440 - Key Switch Kit - 56123249
- [8] - IS56090438 - Emergency Disconnect Kit - 56123247
- [9] - IS_56040583_FOR 56302198 HOUR METER KIT



Resource notes:

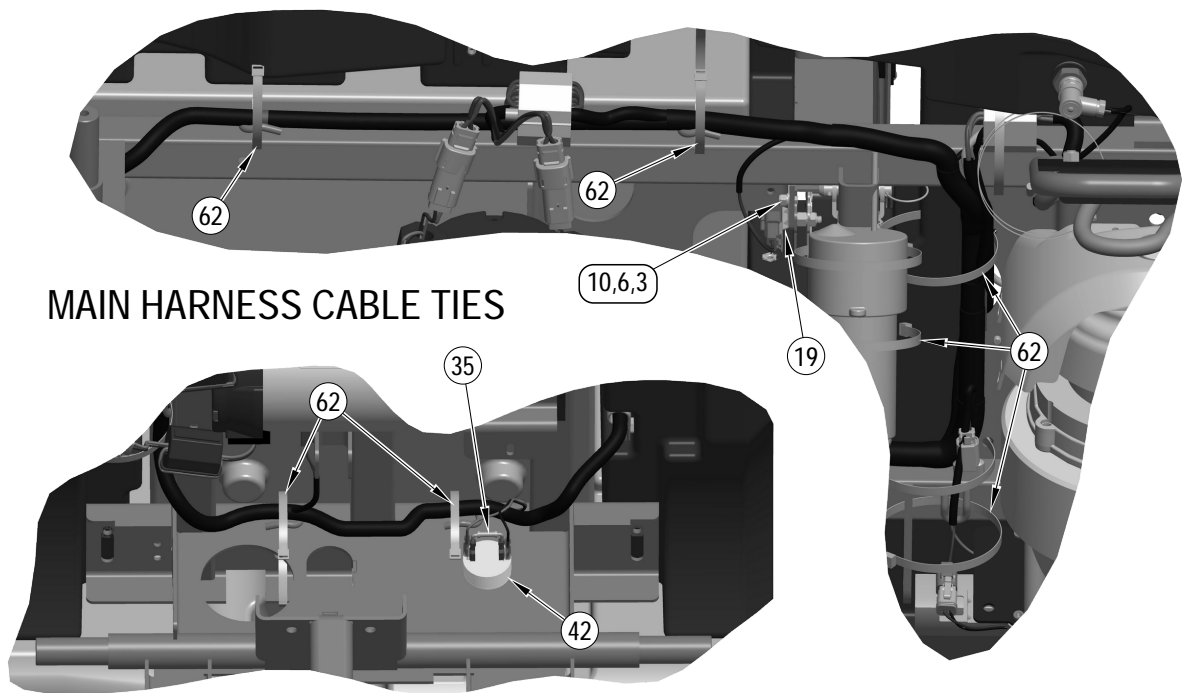
- NOTE 1: Item 36 Is also refered to as SWITCH KEY
- NOTE 2: Item 42 Is also refered to as HORN
- NOTE 3: Item 52 Is also refered to as HOUR METER
- NOTE 4: Item 43 Is also refered to as LAMP, FLASHING
- NOTE 5: Item 54 Is also refered to as MAIN CONTACTOR
- NOTE 6: Item 55 Is also refered to as SW E-STOP REAR, OR SW E-STOP FRONT
- NOTE 7: Item 49 Is also refered to as SW AUTONOMY BYPASS
- NOTE 8: Item 28 Is also refered to as SCRUB INTERFACE BOARD

Pos.	Artikel-Nr.	Menge	Variante	Notes
1	56002561	3	NUT HEX W/SHRPF 1/4/20	
2	56002708	5	Stopmutter 1/4-20	
3	56002808	1	NUT HEX NYLOC 8-32	
4	56002840	3	Nut 1/4 20	
5	56002856	1	"Mutter Nyon LOC 5/16""	
6	56002875	1	U-Scheibe FLT SAE SS/8	
7	56002938	1	WSH FLT SAE SS 5/16	
8	56002957	1	Schraube SS 1/4 - 20 X	
9	56002997	2	Schraube	
10	56003007	1	SCR HEX 8-32 X .50	[1]
11	56003119	2	SCR PAN PHIL SS 1/4 20 X .50.	
12	56003925	1	SCR-HEX LOC SS 5/16-18 X .75	
13	56009012	2	Schraube 10-24 x 3/8Siehe 56009039	
14	56009019	2	Schraube 1/4-20x.38	
15	56009030	1	Schraube 10-2	
16		2	Rivet, Push Nylon Black	[2]
17	56009225	1	Unterlegscheibe	
18	56046309	2	U-Scheibe	
19	56111972	1	CLIP-CONNECTOR	
20	56115432	1	FUSE-150 AMP	
21	56115433	1	HOLDER-FUSE	
22	56115434	1	BOOT-FUSE HOLDER	
23	56115456	5	FERRITE BEAD	
24	56116611	13	CABLE TIE MOUNT	
25		1	Circuit Breaker Assembly	
25a	56107611	1	TRIM-EDGE	
25b	56123047	1	BRACKET-CIRCUIT BREAKER	
25c	56123230	1	TRIM-EDGE	
25d	56315255	2	CIRCUIT BREAKER 5 AMP	
25e	56315256	2	CIRCUIT BREAKER 30 AMP	
25f	56413822	1	CIRCUIT BREAKER 20 AMP	
25g	56454429	1	CIRCUIT BREAKER 70A	
25h	56459369	1	Abdeckung Rückstellknopf5015	
26	56123065	1	DECAL-BYPASS	
27	56123102	1	MAIN HARNESS	
NS	56123266	3	DIODE-TERMINATING-DT SERIES	
28	56123122	1	USER INTERFACE ASSEMBLY	
29	56123130	1	HARNESS-RECOVERY LID	
30	56123131	1	HARNESS-COLUMN	
31	56123132	1	CABLE ASM-MACHINE	
32	56123133	1	CABLE ASM-BATTERY	
33	56123134	1	HARNESS-TRACTION	
34	56123135	1	WIRE ASM	
35	56123138	1	RESISTOR ASSEMBLY-1.5K OHMS	
36		1	Switch-Key-W/Key S4 NOTE 1	[3]
NS	56123246	1	KEY-REPLACEMENT SET	
37	56123149	1	WIRE ASM	
38	56123150	1	WIRE ASM	
39	56123166	1	PLATE-SWITCH MOUNTING	
40		1	Machine Controller Assembly	[4]
NS	56123045	1	PLATE-CONTROLLER MOUNTING	
NS	56004169	2	SCR M4X30 ISO7380-2 FLG BLK	
41		1	Controller-Machine-Cyl	[5]
42	56123271	1	HORN-BACKUP ALARM-5 TO 28 VDC	
43	56123286	1	BEACON-LED	
44	56157376	2	GROMMET 1 OD X 9/16 ID X 5/	
45	56305317	2	Klammer	
46	56315255	1	CIRCUIT BREAKER 5 AMP	
47	56321540	1	GROMMET .500 HC42D	

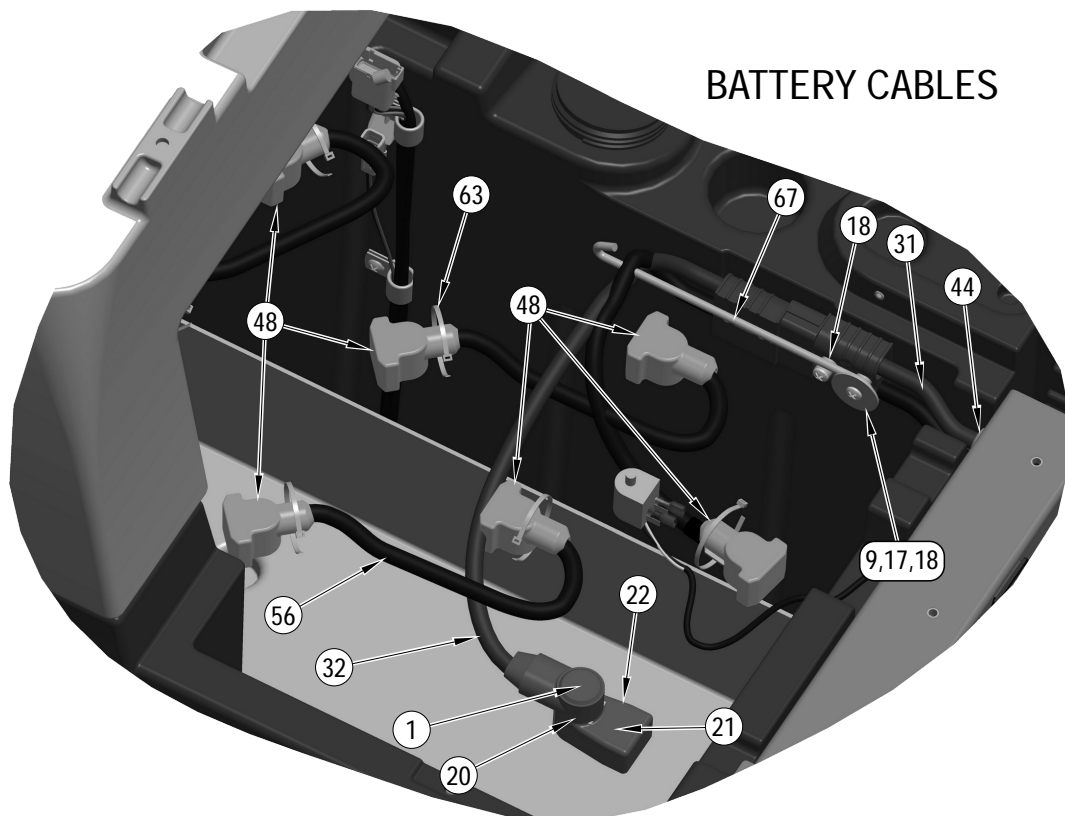
Pos.	Artikel-Nr.	Menge	Variante	Notes
48	56372673	7	BOOT, BATTERY POST	
49	56381824	1	SWITCH ROCKER DPDT ON-ON	
50	56383973	20	CABLE TIE-BLACK-8 INCH	
51		1	Gasket	[2]
52		1	Hourmeter HM, NOTE 3	[2]
53	56394557	1	CLAMP-P-.625 DIA.	
54	56397088	1	Relais Bürstenmotor 24Vzu BA 550/650	
55		2	Disconnect, Emergency S6 NOTE 6	[6]
56	56409485	3	CABLE ASSY.1 X 15.00	
57	56413407	1	Sicherung 15A	
58	56419120	3	CLAMP HOSE SUPPORT 56E00616	
59	56459369	1	Abdeckung Rückstellknopf5015	
60	56469380	1	Kabelklammer	
61	56469858	2	INSULATED STANDOFF	
62	56477613	12	Kabelbändli 7x380mm	
63	56478246	9	CABLE TIE E00549 RE438BA	
64	56507644	1	CIRCUIT BREAKER 10 AMP	
65	56507903	2	TRIM-EDGE-.18X3.00	
66	56601213	1	Batteriebox	
67	56601215	1	PROP ROD SEAT	
68	56601686	3	FERRITE BEAD	
69	56900144	1	PLUG CAP E00046	
70	83302A	2	Bolzen 1/4-20	
71	56601687	2	FERRITE BEAD	
72	56123173	2	CLIP-CONNECTION	
			Service Kits	
K1	56123249	1	KEY SWITCH KIT	[7]
K2	56123247	1	EMERGENCY DISCONNECT KIT	[8]
K3	56123248	1	DISC MACHINE CONTROLLER KIT	
K4	56302198	1	HOUR METER KIT	[9]
K5	56123343	1	CYL MACHINE CONTROLLER KIT	

Part Notes:

- [1] - GUARANTEE DATE EXPIRED
- [2] - K4
- [3] - K1
- [4] - K3
- [5] - K5
- [6] - K2
- [7] - IS56090440 - Key Switch Kit - 56123249
- [8] - IS56090438 - Emergency Disconnect Kit - 56123247
- [9] - IS_56040583_FOR 56302198 HOUR METER KIT



MAIN HARNESS CABLE TIES



BATTERY CABLES

Resource notes:

NOTE 1: Item 36 Is also referred to as SWITCH KEY

NOTE 2: Item 42 Is also referred to as HORN

NOTE 3: Item 52 Is also referred to as HOUR METER

NOTE 4: Item 43 Is also referred to as LAMP, FLASHING

NOTE 5: Item 54 Is also referred to as MAIN CONTACTOR

NOTE 6: Item 55 Is also referred to as SW E-STOP REAR, OR SW E-STOP FRONT

NOTE 7: Item 49 Is also referred to as SW AUTONOMY BYPASS

NOTE 8: Item 28 Is also referred to as SCRUB INTERFACE BOARD

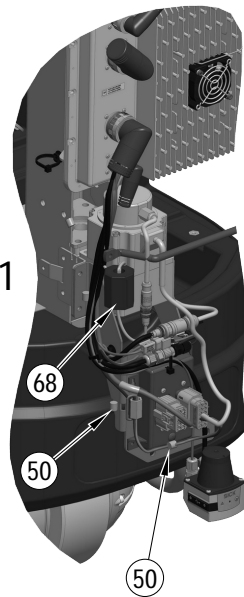
Pos.	Artikel-Nr.	Menge	Variante	Notes
1	56002561	3	NUT HEX W/SHRPF 1/4/20	
2	56002708	5	Stopmutter 1/4-20	
3	56002808	1	NUT HEX NYLOC 8-32	
4	56002840	3	Nut 1/4 20	
5	56002856	1	"Mutter Nylon LOC 5/16""	
6	56002875	1	U-Scheibe FLT SAE SS/8	
7	56002938	1	WSH FLT SAE SS 5/16	
8	56002957	1	Schraube SS 1/4 - 20 X	
9	56002997	2	Schraube	
10	56003007	1	SCR HEX 8-32 X .50	[1]
11	56003119	2	SCR PAN PHIL SS 1/4 20 X .50.	
12	56003925	1	SCR-HEX LOC SS 5/16-18 X .75	
13	56009012	2	Schraube 10-24 x 3/8Siehe 56009039	
14	56009019	2	Schraube 1/4-20x.38	
15	56009030	1	Schraube 10-2	
16		2	Rivet, Push Nylon Black	[2]
17	56009225	1	Unterlegscheibe	
18	56046309	2	U-Scheibe	
19	56111972	1	CLIP-CONNECTOR	
20	56115432	1	FUSE-150 AMP	
21	56115433	1	HOLDER-FUSE	
22	56115434	1	BOOT-FUSE HOLDER	
23	56115456	5	FERRITE BEAD	
24	56116611	13	CABLE TIE MOUNT	
25		1	Circuit Breaker Assembly	
25a	56107611	1	TRIM-EDGE	
25b	56123047	1	BRACKET-CIRCUIT BREAKER	
25c	56123230	1	TRIM-EDGE	
25d	56315255	2	CIRCUIT BREAKER 5 AMP	
25e	56315256	2	CIRCUIT BREAKER 30 AMP	
25f	56413822	1	CIRCUIT BREAKER 20 AMP	
25g	56454429	1	CIRCUIT BREAKER 70A	
25h	56459369	1	Abdeckung Rückstellknopf5015	
26	56123065	1	DECAL-BYPASS	
27	56123102	1	MAIN HARNESS	
NS	56123266	3	DIODE-TERMINATING-DT SERIES	
28	56123122	1	USER INTERFACE ASSEMBLY	
29	56123130	1	HARNESS-RECOVERY LID	
30	56123131	1	HARNESS-COLUMN	
31	56123132	1	CABLE ASM-MACHINE	
32	56123133	1	CABLE ASM-BATTERY	
33	56123134	1	HARNESS-TRACTION	
34	56123135	1	WIRE ASM	
35	56123138	1	RESISTOR ASSEMBLY-1.5K OHMS	
36		1	Switch-Key-W/Key S4 NOTE 1	[3]
NS	56123246	1	KEY-REPLACEMENT SET	
37	56123149	1	WIRE ASM	
38	56123150	1	WIRE ASM	
39	56123166	1	PLATE-SWITCH MOUNTING	
40		1	Machine Controller Assembly	[4]
NS	56123045	1	PLATE-CONTROLLER MOUNTING	
NS	56004169	2	SCR M4X30 ISO7380-2 FLG BLK	
41		1	Controller-Machine-Cyl	[5]
42	56123271	1	HORN-BACKUP ALARM-5 TO 28 VDC	
43	56123286	1	BEACON-LED	
44	56157376	2	GROMMET 1 OD X 9/16 ID X 5/	
45	56305317	2	Klammer	
46	56315255	1	CIRCUIT BREAKER 5 AMP	
47	56321540	1	GROMMET .500 HC42D	

Pos.	Artikel-Nr.	Menge	Variante	Notes
48	56372673	7	BOOT, BATTERY POST	
49	56381824	1	SWITCH ROCKER DPDT ON-ON	
50	56383973	20	CABLE TIE-BLACK-8 INCH	
51		1	Gasket	[2]
52		1	Hourmeter HM, NOTE 3	[2]
53	56394557	1	CLAMP-P-.625 DIA.	
54	56397088	1	Relais Bürstenmotor 24Vzu BA 550/650	
55		2	Disconnect, Emergency S6 NOTE 6	[6]
56	56409485	3	CABLE ASSY.1 X 15.00	
57	56413407	1	Sicherung 15A	
58	56419120	3	CLAMP HOSE SUPPORT 56E00616	
59	56459369	1	Abdeckung Rückstellknopf5015	
60	56469380	1	Kabelklammer	
61	56469858	2	INSULATED STANDOFF	
62	56477613	12	Kabelbändli 7x380mm	
63	56478246	9	CABLE TIE E00549 RE438BA	
64	56507644	1	CIRCUIT BREAKER 10 AMP	
65	56507903	2	TRIM-EDGE-.18X3.00	
66	56601213	1	Batteriebox	
67	56601215	1	PROP ROD SEAT	
68	56601686	3	FERRITE BEAD	
69	56900144	1	PLUG CAP E00046	
70	83302A	2	Bolzen 1/4-20	
71	56601687	2	FERRITE BEAD	
72	56123173	2	CLIP-CONNECTION	
			Service Kits	
K1	56123249	1	KEY SWITCH KIT	[7]
K2	56123247	1	EMERGENCY DISCONNECT KIT	[8]
K3	56123248	1	DISC MACHINE CONTROLLER KIT	
K4	56302198	1	HOUR METER KIT	[9]
K5	56123343	1	CYL MACHINE CONTROLLER KIT	

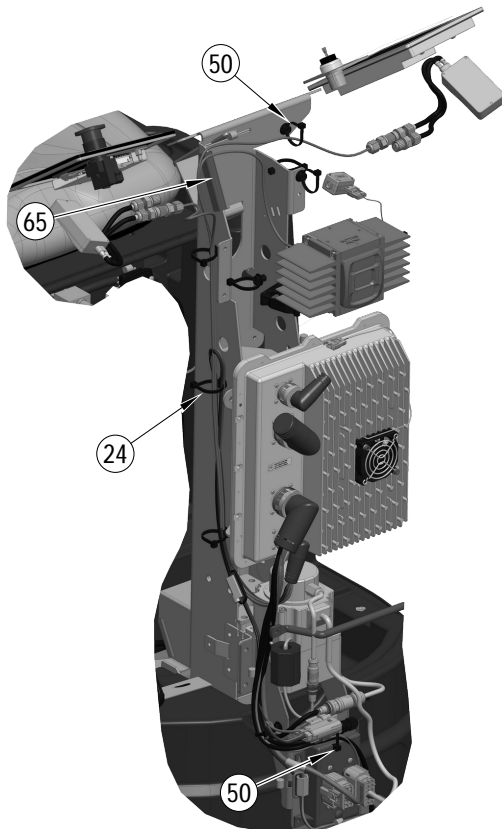
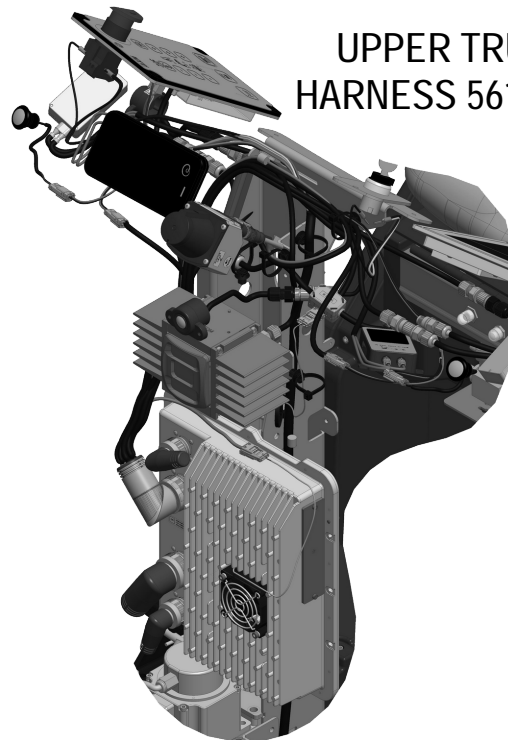
Part Notes:

- [1] - GUARANTEE DATE EXPIRED
- [2] - K4
- [3] - K1
- [4] - K3
- [5] - K5
- [6] - K2
- [7] - IS56090440 - Key Switch Kit - 56123249
- [8] - IS56090438 - Emergency Disconnect Kit - 56123247
- [9] - IS_56040583_FOR 56302198 HOUR METER KIT

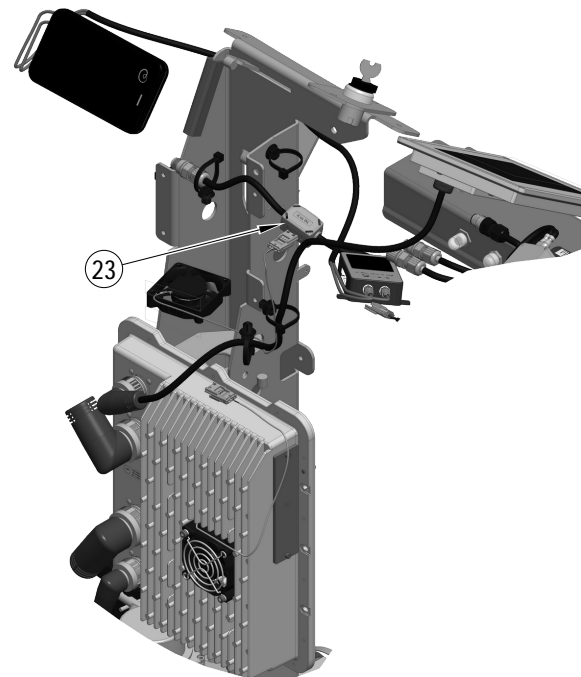
UPPER TRUNK
HARNESS 56123091



UPPER TRUNK
HARNESS 56123091



POWER TRUNK HARNESS
56123234



DISPLAY TRUNK HARNESS
AND CELLULAR ANTENNA

Resource notes:

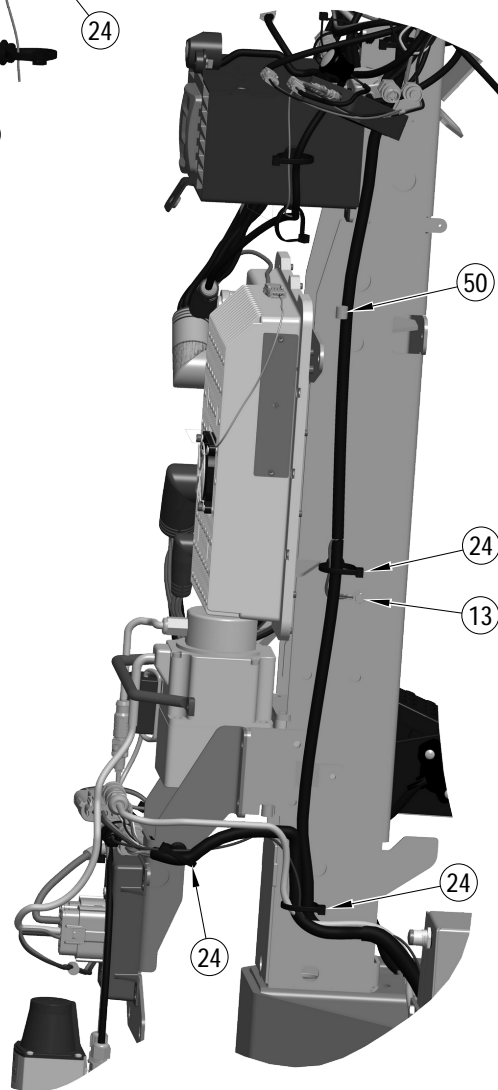
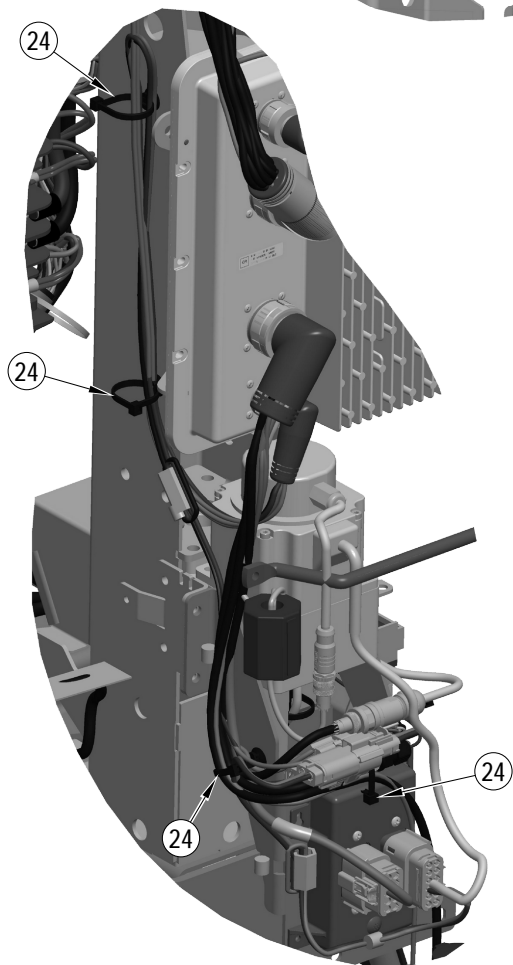
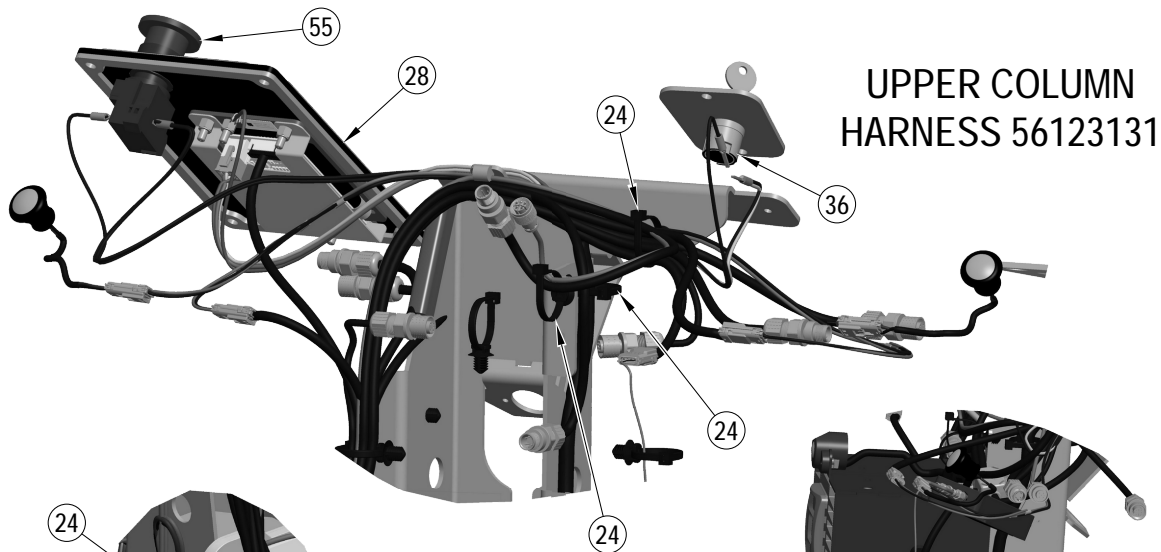
- NOTE 1: Item 36 Is also referred to as SWITCH KEY
- NOTE 2: Item 42 Is also referred to as HORN
- NOTE 3: Item 52 Is also referred to as HOUR METER
- NOTE 4: Item 43 Is also referred to as LAMP, FLASHING
- NOTE 5: Item 54 Is also referred to as MAIN CONTACTOR
- NOTE 6: Item 55 Is also referred to as SW E-STOP REAR, OR SW E-STOP FRONT
- NOTE 7: Item 49 Is also referred to as SW AUTONOMY BYPASS
- NOTE 8: Item 28 Is also referred to as SCRUB INTERFACE BOARD (VIB)

Pos.	Artikel-Nr.	Menge	Variante	Notes
1	56002561	3	NUT HEX W/SHRPF 1/4/20	
2	56002708	5	Stopmutter 1/4-20	
3	56002808	1	NUT HEX NYLOC 8-32	
4	56002840	3	Nut 1/4 20	
5	56002856	1	"Mutter Nylon LOC 5/16""	
6	56002875	1	U-Scheibe FLT SAE SS/8	
7	56002938	1	WSH FLT SAE SS 5/16	
8	56002957	1	Schraube SS 1/4 - 20 X	
9	56002997	2	Schraube	
10	56003007	1	SCR HEX 8-32 X .50	[1]
11	56003119	2	SCR PAN PHIL SS 1/4 20 X .50.	
12	56003925	1	SCR-HEX LOC SS 5/16-18 X .75	
13	56009012	2	Schraube 10-24 x 3/8Siehe 56009039	
14	56009019	2	Schraube 1/4-20x.38	
15	56009030	1	Schraube 10-2	
16		2	Rivet, Push Nylon Black	[2]
17	56009225	1	Unterlegscheibe	
18	56046309	2	U-Scheibe	
19	56111972	1	CLIP-CONNECTOR	
20	56115432	1	FUSE-150 AMP	
21	56115433	1	HOLDER-FUSE	
22	56115434	1	BOOT-FUSE HOLDER	
23	56115456	5	FERRITE BEAD	
24	56116611	13	CABLE TIE MOUNT	
25		1	Circuit Breaker Assembly	
25a	56107611	1	TRIM-EDGE	
25b	56123047	1	BRACKET-CIRCUIT BREAKER	
25c	56123230	1	TRIM-EDGE	
25d	56315255	2	CIRCUIT BREAKER 5 AMP	
25e	56315256	2	CIRCUIT BREAKER 30 AMP	
25f	56413822	1	CIRCUIT BREAKER 20 AMP	
25g	56454429	1	CIRCUIT BREAKER 70A	
25h	56459369	1	Abdeckung Rückstellknopf5015	
26	56123065	1	DECAL-BYPASS	
27	56123102	1	MAIN HARNESS	
NS	56123266	3	DIODE-TERMINATING-DT SERIES	
28	56123122	1	USER INTERFACE ASSEMBLY	
29	56123130	1	HARNESS-RECOVERY LID	
30	56123131	1	HARNESS-COLUMN	
31	56123132	1	CABLE ASM-MACHINE	
32	56123133	1	CABLE ASM-BATTERY	
33	56123134	1	HARNESS-TRACTION	
34	56123135	1	WIRE ASM	
35	56123138	1	RESISTOR ASSEMBLY-1.5K OHMS	
36		1	Switch-Key-W/Key S4 NOTE 1	[3]
NS	56123246	1	KEY-REPLACEMENT SET	
37	56123149	1	WIRE ASM	
38	56123150	1	WIRE ASM	
39	56123166	1	PLATE-SWITCH MOUNTING	
40		1	Machine Controller Assembly	[4]
NS	56123045	1	PLATE-CONTROLLER MOUNTING	
NS	56004169	2	SCR M4X30 ISO7380-2 FLG BLK	
41		1	Controller-Machine-Cyl	[5]
42	56123271	1	HORN-BACKUP ALARM-5 TO 28 VDC	
43	56123286	1	BEACON-LED	
44	56157376	2	GROMMET 1 OD X 9/16 ID X 5/	
45	56305317	2	Klammer	
46	56315255	1	CIRCUIT BREAKER 5 AMP	
47	56321540	1	GROMMET .500 HC42D	

Pos.	Artikel-Nr.	Menge	Variante	Notes
48	56372673	7	BOOT, BATTERY POST	
49	56381824	1	SWITCH ROCKER DPDT ON-ON	
50	56383973	20	CABLE TIE-BLACK-8 INCH	
51		1	Gasket	[2]
52		1	Hourmeter HM, NOTE 3	[2]
53	56394557	1	CLAMP-P-.625 DIA.	
54	56397088	1	Relais Bürstenmotor 24Vzu BA 550/650	
55		2	Disconnect, Emergency S6 NOTE 6	[6]
56	56409485	3	CABLE ASSY.1 X 15.00	
57	56413407	1	Sicherung 15A	
58	56419120	3	CLAMP HOSE SUPPORT 56E00616	
59	56459369	1	Abdeckung Rückstellknopf5015	
60	56469380	1	Kabelklammer	
61	56469858	2	INSULATED STANDOFF	
62	56477613	12	Kabelbändli 7x380mm	
63	56478246	9	CABLE TIE E00549 RE438BA	
64	56507644	1	CIRCUIT BREAKER 10 AMP	
65	56507903	2	TRIM-EDGE-.18X3.00	
66	56601213	1	Batteriebox	
67	56601215	1	PROP ROD SEAT	
68	56601686	3	FERRITE BEAD	
69	56900144	1	PLUG CAP E00046	
70	83302A	2	Bolzen 1/4-20	
71	56601687	2	FERRITE BEAD	
72	56123173	2	CLIP-CONNECTION	
			Service Kits	
K1	56123249	1	KEY SWITCH KIT	[7]
K2	56123247	1	EMERGENCY DISCONNECT KIT	[8]
K3	56123248	1	DISC MACHINE CONTROLLER KIT	
K4	56302198	1	HOUR METER KIT	[9]
K5	56123343	1	CYL MACHINE CONTROLLER KIT	

Part Notes:

- [1] - GUARANTEE DATE EXPIRED
- [2] - K4
- [3] - K1
- [4] - K3
- [5] - K5
- [6] - K2
- [7] - IS56090440 - Key Switch Kit - 56123249
- [8] - IS56090438 - Emergency Disconnect Kit - 56123247
- [9] - IS_56040583_FOR 56302198 HOUR METER KIT



Resource notes:

- NOTE 1: Item 36 Is also referred to as SWITCH KEY
- NOTE 2: Item 42 Is also referred to as HORN
- NOTE 3: Item 52 Is also referred to as HOUR METER
- NOTE 4: Item 43 Is also referred to as LAMP, FLASHING
- NOTE 5: Item 54 Is also referred to as MAIN CONTACTOR
- NOTE 6: Item 55 Is also referred to as SW E-STOP REAR, OR SW E-STOP FRONT
- NOTE 7: Item 49 Is also referred to as SW AUTONOMY BYPASS
- NOTE 8: Item 28 Is also referred to as SCRUB INTERFACE BOARD (VIB)

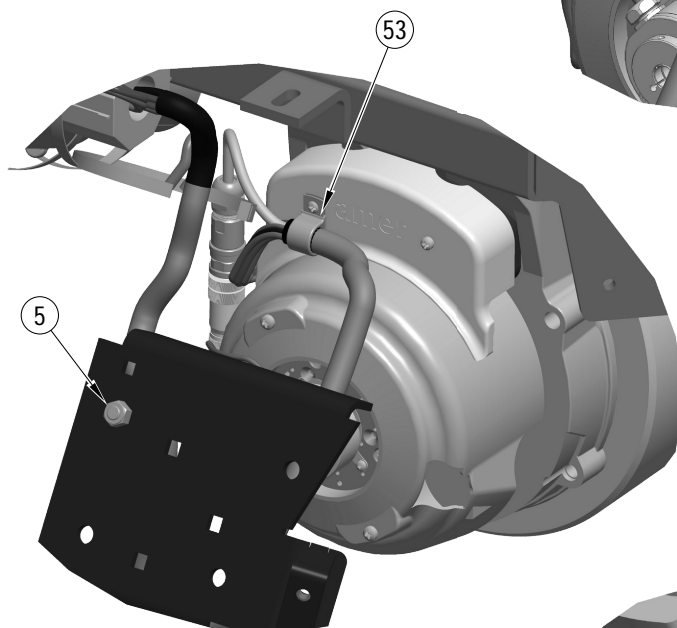
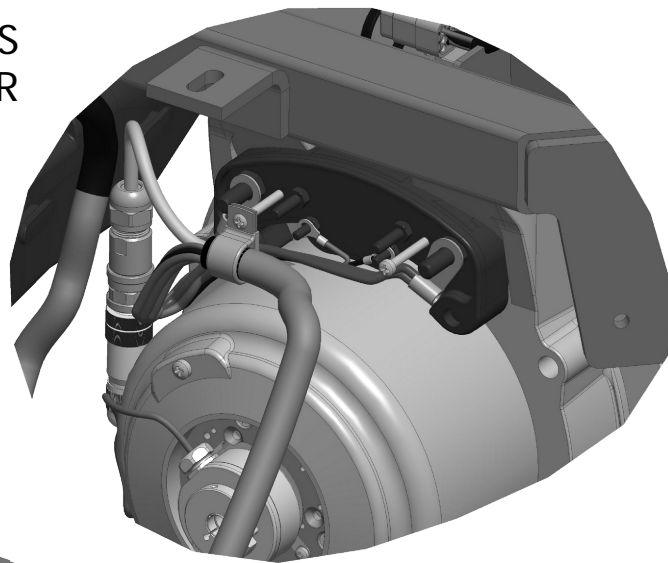
Pos.	Artikel-Nr.	Menge	Variante	Notes
1	56002561	3	NUT HEX W/SHRPF 1/4/20	
2	56002708	5	Stopmutter 1/4-20	
3	56002808	1	NUT HEX NYLOC 8-32	
4	56002840	3	Nut 1/4 20	
5	56002856	1	"Mutter Nylon LOC 5/16""	
6	56002875	1	U-Scheibe FLT SAE SS/8	
7	56002938	1	WSH FLT SAE SS 5/16	
8	56002957	1	Schraube SS 1/4 - 20 X	
9	56002997	2	Schraube	
10	56003007	1	SCR HEX 8-32 X .50	[1]
11	56003119	2	SCR PAN PHIL SS 1/4 20 X .50.	
12	56003925	1	SCR-HEX LOC SS 5/16-18 X .75	
13	56009012	2	Schraube 10-24 x 3/8Siehe 56009039	
14	56009019	2	Schraube 1/4-20x.38	
15	56009030	1	Schraube 10-2	
16		2	Rivet, Push Nylon Black	[2]
17	56009225	1	Unterlegscheibe	
18	56046309	2	U-Scheibe	
19	56111972	1	CLIP-CONNECTOR	
20	56115432	1	FUSE-150 AMP	
21	56115433	1	HOLDER-FUSE	
22	56115434	1	BOOT-FUSE HOLDER	
23	56115456	5	FERRITE BEAD	
24	56116611	13	CABLE TIE MOUNT	
25		1	Circuit Breaker Assembly	
25a	56107611	1	TRIM-EDGE	
25b	56123047	1	BRACKET-CIRCUIT BREAKER	
25c	56123230	1	TRIM-EDGE	
25d	56315255	2	CIRCUIT BREAKER 5 AMP	
25e	56315256	2	CIRCUIT BREAKER 30 AMP	
25f	56413822	1	CIRCUIT BREAKER 20 AMP	
25g	56454429	1	CIRCUIT BREAKER 70A	
25h	56459369	1	Abdeckung Rückstellknopf5015	
26	56123065	1	DECAL-BYPASS	
27	56123102	1	MAIN HARNESS	
NS	56123266	3	DIODE-TERMINATING-DT SERIES	
28	56123122	1	USER INTERFACE ASSEMBLY	
29	56123130	1	HARNESS-RECOVERY LID	
30	56123131	1	HARNESS-COLUMN	
31	56123132	1	CABLE ASM-MACHINE	
32	56123133	1	CABLE ASM-BATTERY	
33	56123134	1	HARNESS-TRACTION	
34	56123135	1	WIRE ASM	
35	56123138	1	RESISTOR ASSEMBLY-1.5K OHMS	
36		1	Switch-Key-W/Key S4 NOTE 1	[3]
NS	56123246	1	KEY-REPLACEMENT SET	
37	56123149	1	WIRE ASM	
38	56123150	1	WIRE ASM	
39	56123166	1	PLATE-SWITCH MOUNTING	
40		1	Machine Controller Assembly	[4]
NS	56123045	1	PLATE-CONTROLLER MOUNTING	
NS	56004169	2	SCR M4X30 ISO7380-2 FLG BLK	
41		1	Controller-Machine-Cyl	[5]
42	56123271	1	HORN-BACKUP ALARM-5 TO 28 VDC	
43	56123286	1	BEACON-LED	
44	56157376	2	GROMMET 1 OD X 9/16 ID X 5/	
45	56305317	2	Klammer	
46	56315255	1	CIRCUIT BREAKER 5 AMP	
47	56321540	1	GROMMET .500 HC42D	

Pos.	Artikel-Nr.	Menge	Variante	Notes
48	56372673	7	BOOT, BATTERY POST	
49	56381824	1	SWITCH ROCKER DPDT ON-ON	
50	56383973	20	CABLE TIE-BLACK-8 INCH	
51		1	Gasket	[2]
52		1	Hourmeter HM, NOTE 3	[2]
53	56394557	1	CLAMP-P-.625 DIA.	
54	56397088	1	Relais Bürstenmotor 24Vzu BA 550/650	
55		2	Disconnect, Emergency S6 NOTE 6	[6]
56	56409485	3	CABLE ASSY.1 X 15.00	
57	56413407	1	Sicherung 15A	
58	56419120	3	CLAMP HOSE SUPPORT 56E00616	
59	56459369	1	Abdeckung Rückstellknopf5015	
60	56469380	1	Kabelklammer	
61	56469858	2	INSULATED STANDOFF	
62	56477613	12	Kabelbändli 7x380mm	
63	56478246	9	CABLE TIE E00549 RE438BA	
64	56507644	1	CIRCUIT BREAKER 10 AMP	
65	56507903	2	TRIM-EDGE-.18X3.00	
66	56601213	1	Batteriebox	
67	56601215	1	PROP ROD SEAT	
68	56601686	3	FERRITE BEAD	
69	56900144	1	PLUG CAP E00046	
70	83302A	2	Bolzen 1/4-20	
71	56601687	2	FERRITE BEAD	
72	56123173	2	CLIP-CONNECTION	
			Service Kits	
K1	56123249	1	KEY SWITCH KIT	[7]
K2	56123247	1	EMERGENCY DISCONNECT KIT	[8]
K3	56123248	1	DISC MACHINE CONTROLLER KIT	
K4	56302198	1	HOUR METER KIT	[9]
K5	56123343	1	CYL MACHINE CONTROLLER KIT	

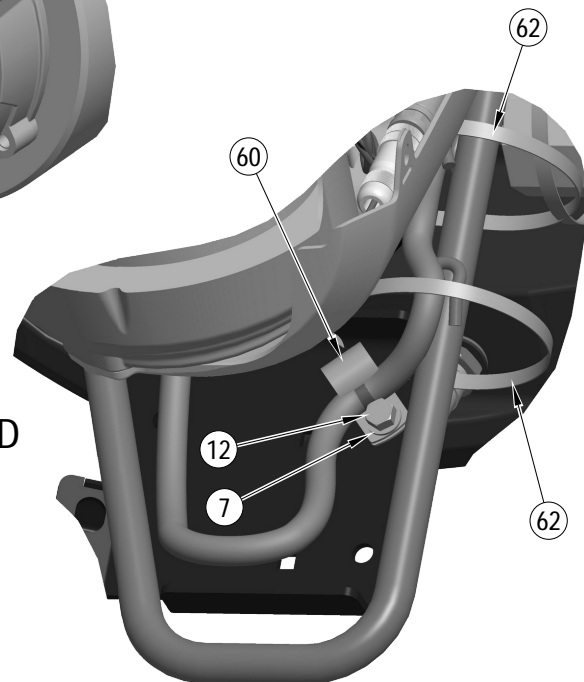
Part Notes:

- [1] - GUARANTEE DATE EXPIRED
- [2] - K4
- [3] - K1
- [4] - K3
- [5] - K5
- [6] - K2
- [7] - IS56090440 - Key Switch Kit - 56123249
- [8] - IS56090438 - Emergency Disconnect Kit - 56123247
- [9] - IS_56040583_FOR 56302198 HOUR METER KIT

MOTOR CONNECTIONS
MOTOR AND ENCODER
COVER REMOVED



TRACTION HARNESS WHEEL
MOTOR ENCODER COVER REMOVED



Resource notes:

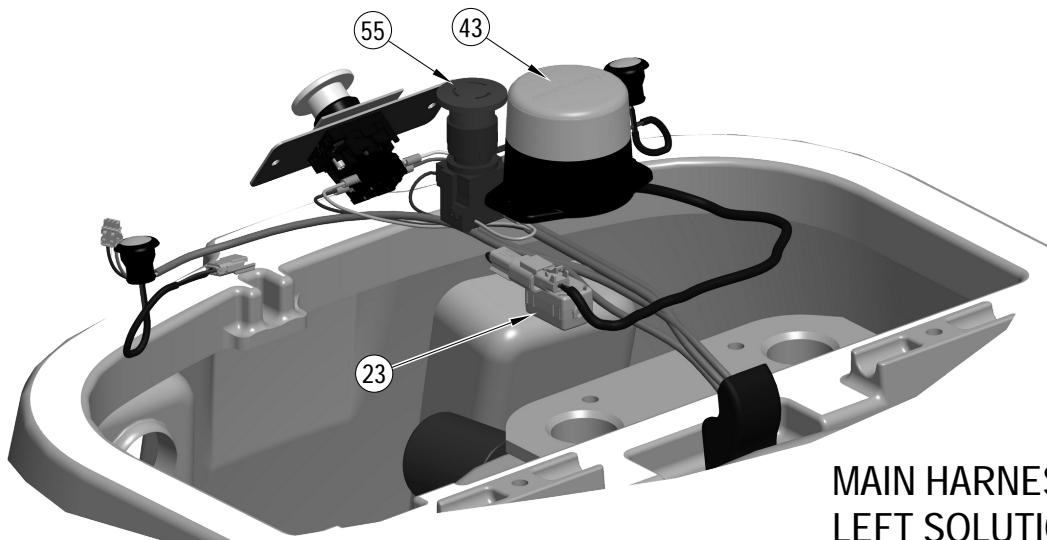
- NOTE 1: Item 36 Is also refered to as SWITCH KEY
- NOTE 2: Item 42 Is also refered to as HORN
- NOTE 3: Item 52 Is also refered to as HOUR METER
- NOTE 4: Item 43 Is also refered to as LAMP, FLASHING
- NOTE 5: Item 54 Is also refered to as MAIN CONTACTOR
- NOTE 6: Item 55 Is also refered to as SW E-STOP REAR, OR SW E-STOP FRONT
- NOTE 7: Item 49 Is also refered to as SW AUTONOMY BYPASS
- NOTE 8: Item 28 Is also refered to as SCRUB INTERFACE BOARD (VIB)

Pos.	Artikel-Nr.	Menge	Variante	Notes
1	56002561	3	NUT HEX W/SHRPF 1/4/20	
2	56002708	5	Stopmutter 1/4-20	
3	56002808	1	NUT HEX NYLOC 8-32	
4	56002840	3	Nut 1/4 20	
5	56002856	1	"Mutter Nylon LOC 5/16""	
6	56002875	1	U-Scheibe FLT SAE SS/8	
7	56002938	1	WSH FLT SAE SS 5/16	
8	56002957	1	Schraube SS 1/4 - 20 X	
9	56002997	2	Schraube	
10	56003007	1	SCR HEX 8-32 X .50	[1]
11	56003119	2	SCR PAN PHIL SS 1/4 20 X .50.	
12	56003925	1	SCR-HEX LOC SS 5/16-18 X .75	
13	56009012	2	Schraube 10-24 x 3/8Siehe 56009039	
14	56009019	2	Schraube 1/4-20x.38	
15	56009030	1	Schraube 10-2	
16		2	Rivet, Push Nylon Black	[2]
17	56009225	1	Unterlegscheibe	
18	56046309	2	U-Scheibe	
19	56111972	1	CLIP-CONNECTOR	
20	56115432	1	FUSE-150 AMP	
21	56115433	1	HOLDER-FUSE	
22	56115434	1	BOOT-FUSE HOLDER	
23	56115456	5	FERRITE BEAD	
24	56116611	13	CABLE TIE MOUNT	
25		1	Circuit Breaker Assembly	
25a	56107611	1	TRIM-EDGE	
25b	56123047	1	BRACKET-CIRCUIT BREAKER	
25c	56123230	1	TRIM-EDGE	
25d	56315255	2	CIRCUIT BREAKER 5 AMP	
25e	56315256	2	CIRCUIT BREAKER 30 AMP	
25f	56413822	1	CIRCUIT BREAKER 20 AMP	
25g	56454429	1	CIRCUIT BREAKER 70A	
25h	56459369	1	Abdeckung Rückstellknopf5015	
26	56123065	1	DECAL-BYPASS	
27	56123102	1	MAIN HARNESS	
NS	56123266	3	DIODE-TERMINATING-DT SERIES	
28	56123122	1	USER INTERFACE ASSEMBLY	
29	56123130	1	HARNESS-RECOVERY LID	
30	56123131	1	HARNESS-COLUMN	
31	56123132	1	CABLE ASM-MACHINE	
32	56123133	1	CABLE ASM-BATTERY	
33	56123134	1	HARNESS-TRACTION	
34	56123135	1	WIRE ASM	
35	56123138	1	RESISTOR ASSEMBLY-1.5K OHMS	
36		1	Switch-Key-W/Key S4 NOTE 1	[3]
NS	56123246	1	KEY-REPLACEMENT SET	
37	56123149	1	WIRE ASM	
38	56123150	1	WIRE ASM	
39	56123166	1	PLATE-SWITCH MOUNTING	
40		1	Machine Controller Assembly	[4]
NS	56123045	1	PLATE-CONTROLLER MOUNTING	
NS	56004169	2	SCR M4X30 ISO7380-2 FLG BLK	
41		1	Controller-Machine-Cyl	[5]
42	56123271	1	HORN-BACKUP ALARM-5 TO 28 VDC	
43	56123286	1	BEACON-LED	
44	56157376	2	GROMMET 1 OD X 9/16 ID X 5/	
45	56305317	2	Klammer	
46	56315255	1	CIRCUIT BREAKER 5 AMP	
47	56321540	1	GROMMET .500 HC42D	

Pos.	Artikel-Nr.	Menge	Variante	Notes
48	56372673	7	BOOT, BATTERY POST	
49	56381824	1	SWITCH ROCKER DPDT ON-ON	
50	56383973	20	CABLE TIE-BLACK-8 INCH	
51		1	Gasket	[2]
52		1	Hourmeter HM, NOTE 3	[2]
53	56394557	1	CLAMP-P-.625 DIA.	
54	56397088	1	Relais Bürstenmotor 24Vzu BA 550/650	
55		2	Disconnect, Emergency S6 NOTE 6	[6]
56	56409485	3	CABLE ASSY.1 X 15.00	
57	56413407	1	Sicherung 15A	
58	56419120	3	CLAMP HOSE SUPPORT 56E00616	
59	56459369	1	Abdeckung Rückstellknopf5015	
60	56469380	1	Kabelklammer	
61	56469858	2	INSULATED STANDOFF	
62	56477613	12	Kabelbändli 7x380mm	
63	56478246	9	CABLE TIE E00549 RE438BA	
64	56507644	1	CIRCUIT BREAKER 10 AMP	
65	56507903	2	TRIM-EDGE-.18X3.00	
66	56601213	1	Batteriebox	
67	56601215	1	PROP ROD SEAT	
68	56601686	3	FERRITE BEAD	
69	56900144	1	PLUG CAP E00046	
70	83302A	2	Bolzen 1/4-20	
71	56601687	2	FERRITE BEAD	
72	56123173	2	CLIP-CONNECTION	
			Service Kits	
K1	56123249	1	KEY SWITCH KIT	[7]
K2	56123247	1	EMERGENCY DISCONNECT KIT	[8]
K3	56123248	1	DISC MACHINE CONTROLLER KIT	
K4	56302198	1	HOUR METER KIT	[9]
K5	56123343	1	CYL MACHINE CONTROLLER KIT	

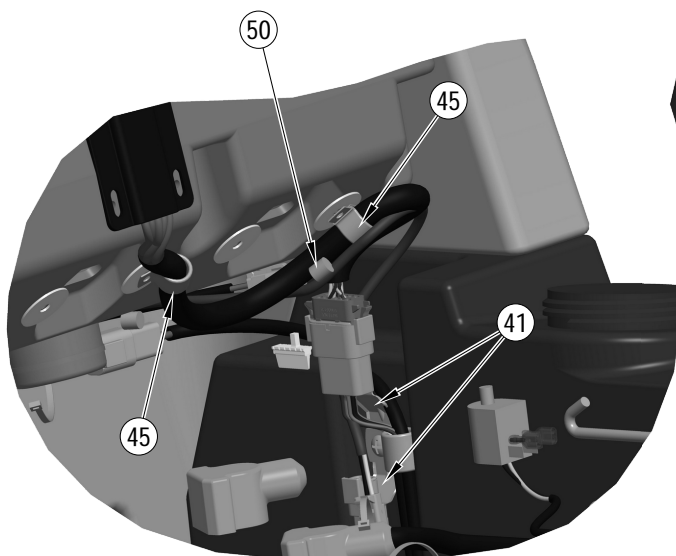
Part Notes:

- [1] - GUARANTEE DATE EXPIRED
- [2] - K4
- [3] - K1
- [4] - K3
- [5] - K5
- [6] - K2
- [7] - IS56090440 - Key Switch Kit - 56123249
- [8] - IS56090438 - Emergency Disconnect Kit - 56123247
- [9] - IS_56040583_FOR 56302198 HOUR METER KIT

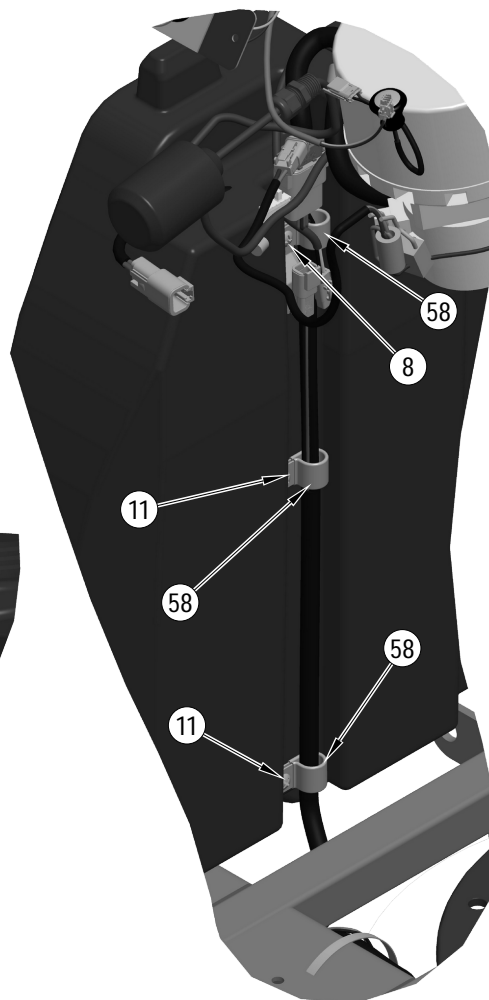


MAIN HARNESS REAR
LEFT SOLUTION TANK

RECOVERY LID CONNECTIONS



MAIN HARNESS LEFT REAR
RECOVERY TANK CONNECTIONS



Resource notes:

NOTE 1: Item 36 Is also referred to as SWITCH KEY

NOTE 2: Item 42 Is also referred to as HORN

NOTE 3: Item 52 Is also referred to as HOUR METER

NOTE 4: Item 43 Is also referred to as LAMP, FLASHING

NOTE 5: Item 54 Is also referred to as MAIN CONTACTOR

NOTE 6: Item 55 Is also referred to as SW E-STOP REAR, OR SW E-STOP FRONT

NOTE 7: Item 49 Is also referred to as SW AUTONOMY BYPASS

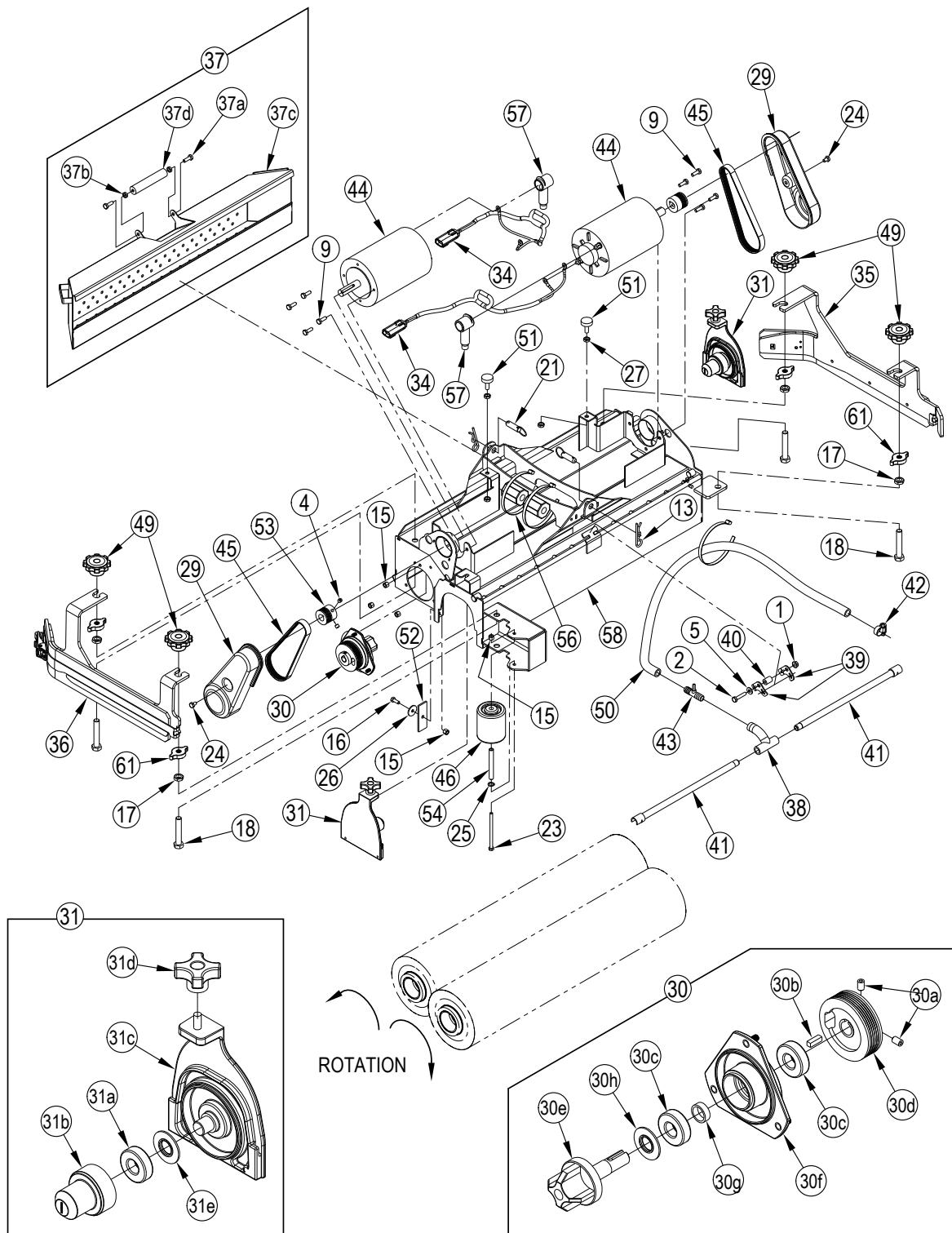
NOTE 8: Item 28 Is also referred to as SCRUB INTERFACE BOARD (VIB)

Pos.	Artikel-Nr.	Menge	Variante	Notes
1	56002561	3	NUT HEX W/SHRPF 1/4/20	
2	56002708	5	Stopmutter 1/4-20	
3	56002808	1	NUT HEX NYLOC 8-32	
4	56002840	3	Nut 1/4 20	
5	56002856	1	"Mutter Nylon LOC 5/16""	
6	56002875	1	U-Scheibe FLT SAE SS/8	
7	56002938	1	WSH FLT SAE SS 5/16	
8	56002957	1	Schraube SS 1/4 - 20 X	
9	56002997	2	Schraube	
10	56003007	1	SCR HEX 8-32 X .50	[1]
11	56003119	2	SCR PAN PHIL SS 1/4 20 X .50.	
12	56003925	1	SCR-HEX LOC SS 5/16-18 X .75	
13	56009012	2	Schraube 10-24 x 3/8Siehe 56009039	
14	56009019	2	Schraube 1/4-20x.38	
15	56009030	1	Schraube 10-2	
16		2	Rivet, Push Nylon Black	[2]
17	56009225	1	Unterlegscheibe	
18	56046309	2	U-Scheibe	
19	56111972	1	CLIP-CONNECTOR	
20	56115432	1	FUSE-150 AMP	
21	56115433	1	HOLDER-FUSE	
22	56115434	1	BOOT-FUSE HOLDER	
23	56115456	5	FERRITE BEAD	
24	56116611	13	CABLE TIE MOUNT	
25		1	Circuit Breaker Assembly	
25a	56107611	1	TRIM-EDGE	
25b	56123047	1	BRACKET-CIRCUIT BREAKER	
25c	56123230	1	TRIM-EDGE	
25d	56315255	2	CIRCUIT BREAKER 5 AMP	
25e	56315256	2	CIRCUIT BREAKER 30 AMP	
25f	56413822	1	CIRCUIT BREAKER 20 AMP	
25g	56454429	1	CIRCUIT BREAKER 70A	
25h	56459369	1	Abdeckung Rückstellknopf5015	
26	56123065	1	DECAL-BYPASS	
27	56123102	1	MAIN HARNESS	
NS	56123266	3	DIODE-TERMINATING-DT SERIES	
28	56123122	1	USER INTERFACE ASSEMBLY	
29	56123130	1	HARNESS-RECOVERY LID	
30	56123131	1	HARNESS-COLUMN	
31	56123132	1	CABLE ASM-MACHINE	
32	56123133	1	CABLE ASM-BATTERY	
33	56123134	1	HARNESS-TRACTION	
34	56123135	1	WIRE ASM	
35	56123138	1	RESISTOR ASSEMBLY-1.5K OHMS	
36		1	Switch-Key-W/Key S4 NOTE 1	[3]
NS	56123246	1	KEY-REPLACEMENT SET	
37	56123149	1	WIRE ASM	
38	56123150	1	WIRE ASM	
39	56123166	1	PLATE-SWITCH MOUNTING	
40		1	Machine Controller Assembly	[4]
NS	56123045	1	PLATE-CONTROLLER MOUNTING	
NS	56004169	2	SCR M4X30 ISO7380-2 FLG BLK	
41		1	Controller-Machine-Cyl	[5]
42	56123271	1	HORN-BACKUP ALARM-5 TO 28 VDC	
43	56123286	1	BEACON-LED	
44	56157376	2	GROMMET 1 OD X 9/16 ID X 5/	
45	56305317	2	Klammer	
46	56315255	1	CIRCUIT BREAKER 5 AMP	
47	56321540	1	GROMMET .500 HC42D	

Pos.	Artikel-Nr.	Menge	Variante	Notes
48	56372673	7	BOOT, BATTERY POST	
49	56381824	1	SWITCH ROCKER DPDT ON-ON	
50	56383973	20	CABLE TIE-BLACK-8 INCH	
51		1	Gasket	[2]
52		1	Hourmeter HM, NOTE 3	[2]
53	56394557	1	CLAMP-P-.625 DIA.	
54	56397088	1	Relais Bürstenmotor 24Vzu BA 550/650	
55		2	Disconnect, Emergency S6 NOTE 6	[6]
56	56409485	3	CABLE ASSY.1 X 15.00	
57	56413407	1	Sicherung 15A	
58	56419120	3	CLAMP HOSE SUPPORT 56E00616	
59	56459369	1	Abdeckung Rückstellknopf5015	
60	56469380	1	Kabelklammer	
61	56469858	2	INSULATED STANDOFF	
62	56477613	12	Kabelbändli 7x380mm	
63	56478246	9	CABLE TIE E00549 RE438BA	
64	56507644	1	CIRCUIT BREAKER 10 AMP	
65	56507903	2	TRIM-EDGE-.18X3.00	
66	56601213	1	Batteriebox	
67	56601215	1	PROP ROD SEAT	
68	56601686	3	FERRITE BEAD	
69	56900144	1	PLUG CAP E00046	
70	83302A	2	Bolzen 1/4-20	
71	56601687	2	FERRITE BEAD	
72	56123173	2	CLIP-CONNECTION	
			Service Kits	
K1	56123249	1	KEY SWITCH KIT	[7]
K2	56123247	1	EMERGENCY DISCONNECT KIT	[8]
K3	56123248	1	DISC MACHINE CONTROLLER KIT	
K4	56302198	1	HOUR METER KIT	[9]
K5	56123343	1	CYL MACHINE CONTROLLER KIT	

Part Notes:

- [1] - GUARANTEE DATE EXPIRED
- [2] - K4
- [3] - K1
- [4] - K3
- [5] - K5
- [6] - K2
- [7] - IS56090440 - Key Switch Kit - 56123249
- [8] - IS56090438 - Emergency Disconnect Kit - 56123247
- [9] - IS_56040583_FOR 56302198 HOUR METER KIT

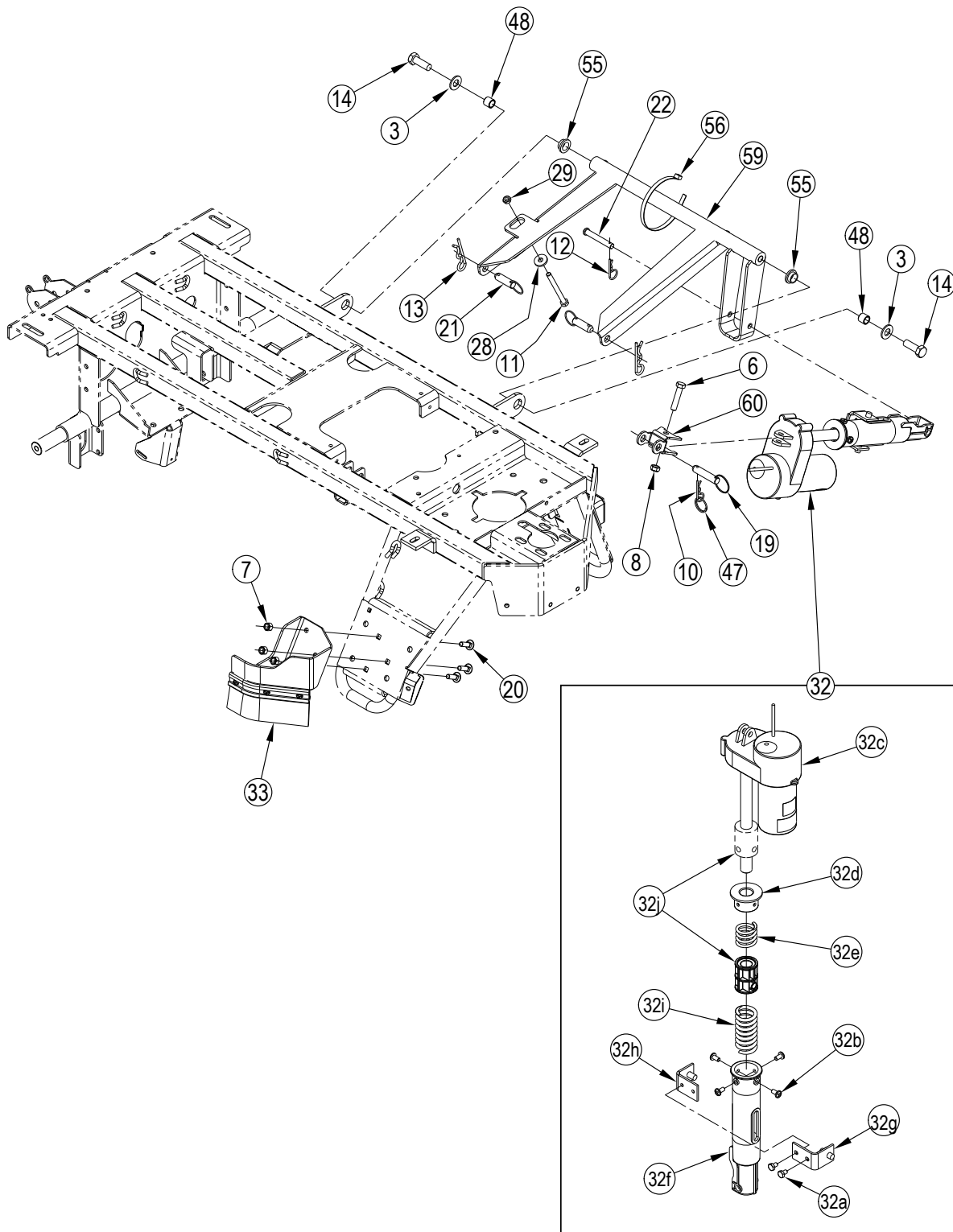


Pos.	Artikel-Nr.	Menge	Variante	Notes
1	56001827	1	NUT HEX SERRATED 1/4-20	
2	56001878	1	SCR HEX HD 1/4-20 X 1.25	
3	56001879	2	U-SCHEIBEN	
4	56002086	4	Madenschraube	
5	56002098	1	Scheibe SAE 1/4	
6	56002684	1	SCR HEX HD 3/8-16x1,75	
7	56002701	3	MUTTER 5-16-18 HEX JAM	
8	56002841	1	NUT HEX NYL LOC-THIN 3/8	
9	56002948	8	Schraube 1/4-20 X .75	
10	56002959	1	Splint zu BA 500	
11	56003008	1	Schraube THD TO HD	
12	56003120	1	Vorstecker	
13	56003223	2	"Splint 0.148"" x 0.62""	
14	56003412	2	Schraube M12 1.75 x 35mm	
15	56003426	9	Stoppmutter M6 Inox	
16	56003431	2	Schraube M6 x 16	
17	56003657	4	Mutter M12-1.75	
18	56003658	4	Schraube	
19	56003679	1	Stift	
20	56003720	3	SCR CARRIAGE SS 5/16-18 X 1.00	
21	56003786	2	Bolzenring	
22	56003803	1	Splint	
23	56003939	1	SCR-HEX SS M6-1 X 95MM	
24	56009019	2	Schraube 1/4-20x.38	
25	56009045	2	WASHER, BOWED	
26	56009060	2	SCHEIBE-U	
27	56009086	5	NUT, HEX JAM 5/16-18	
28	56009122	1	Unterlegscheibe	
29	56115314	2	Riemen-Abdeckung	
30	56115318	2	DRIVE END ASSY	
30a	56002930	2	Madenschraube BR 1300 S	
30b	56003237	1	Keil 19x.62	
30c	56106070	2	BEARING BALL Z22	
30d	56115316	1	SHEAVE-POLY V	
30e	56115319	1	SPINDLE-LONG	
30f	56381765	1	Lagerplatte	
30g	56407389	1	Distanzbüchse	
30h	56407558	1	Scheibe zu BR 850	
31	56115344	2	IDLER END ASSY	
31a	56106070	1	BEARING BALL Z22	
31b	56115273	1	Abdeckung Lager	
31c	56315447	1	Spannradträger	
31d	56407303	1	Rändelmutter	
31e	56407558	1	Scheibe zu BR 850	
32	56123105	1	ACTUATOR ASSEMBLY	[1]
32a	56009019	2	Schraube 1/4-20x.38	
32b	56009062	4	Schraube	
32c	56123104	1	ACTUATOR-36V	
32d	56396268	1	Führung f. Feder	
32e	56412071	1	Druckfeder	
32f	56412262	1	Federgehäuse BA750/850	
32g	56420019	1	Mutter arretierung	
32h	56420020	1	Mutter arretierung	
32i	56601470	1	COMPRESSION SPRING	
32j	56388520	1	Spindelmutter	
33	56123322	1	Schutzvorrichtung rechts	
34	56123332	2	HARNESS-CYLINDRICAL MOTOR	
35	56123333	1	SIDE BLADE ASSY-FIXED-LT-X71C	
36	56123334	1	SEITLICHE KLINGE - FESTSTEHEND - RT-X71C	

Pos.	Artikel-Nr.	Menge	Variante	Notes
37	56123339	1	HOPPER ASSY	
37a	56002948	2	Schraube 1/4-20 X .75	
37b	56003145	2	Nut 1/4 20	
37c	56123319	1	HOPPER WELDMENT-X71C	[2]
37d	56123340	1	HANDLE-HOPPER	
38	56123346	1	TEE-DISTRIBUTION-12.7MM	
39	56123347	2	PLATE-HOLDER-TEE	
40	56123348	1	SPACER-NYLON-6.5X12.7X17.5MM	
41	56123351	2	TUBE ASSY-DRIP-X71C	
42	56219932	1	Briede	
43	56314977	1	TEE BARB	
44	56315061	2	Motor 24V 5HP	[3]
NS	56412257	1	BRUSH CAP ASSY	
NS	56412287	1	Kohlenbürstenset m. Federkompl. BA 755/8	
NS	56412287	4	Kohlenbürstenset m. Federkompl. BA 755/8	
45	56315321	2	Riemen Poly-V Walzenbürste	
46	56316089	1	Abweisrolle	
47	56317071	1	RING	
48	56367206	2	BUCHSE	
49	56380149	4	Rändelschraube	
50	56392663	1	SCHLAUCH SOL E00604	
51	56401783	2	Anschlagschraube BR 700S	
52	56407391	2	Spritzschutz vorne/hinten	
53	56407433	2	Scheibe, Poly-V	
54	56412176	1	Lager	
56	56477613	3	Kabelbändli 7x380mm	
57	56493357	2	INSULATOR TERMINAL	
58	56601048	1	HOUSING WELDT	
59	56601239	1	Gestänge	
60	56601328	1	YOKE ACTUATOR	
61	56601578	4	Drehknopf	

Part Notes:

- [1] - NOTE 1: Item 32 Is also refered to as DECK ACTUATOR
- [2] - EXPIRED USE 56123339
- [3] - NOTE 2: Item 44 Is also refered to as BRUSH MOTOR – LEFT BRUSH MOTOR - RIGHT

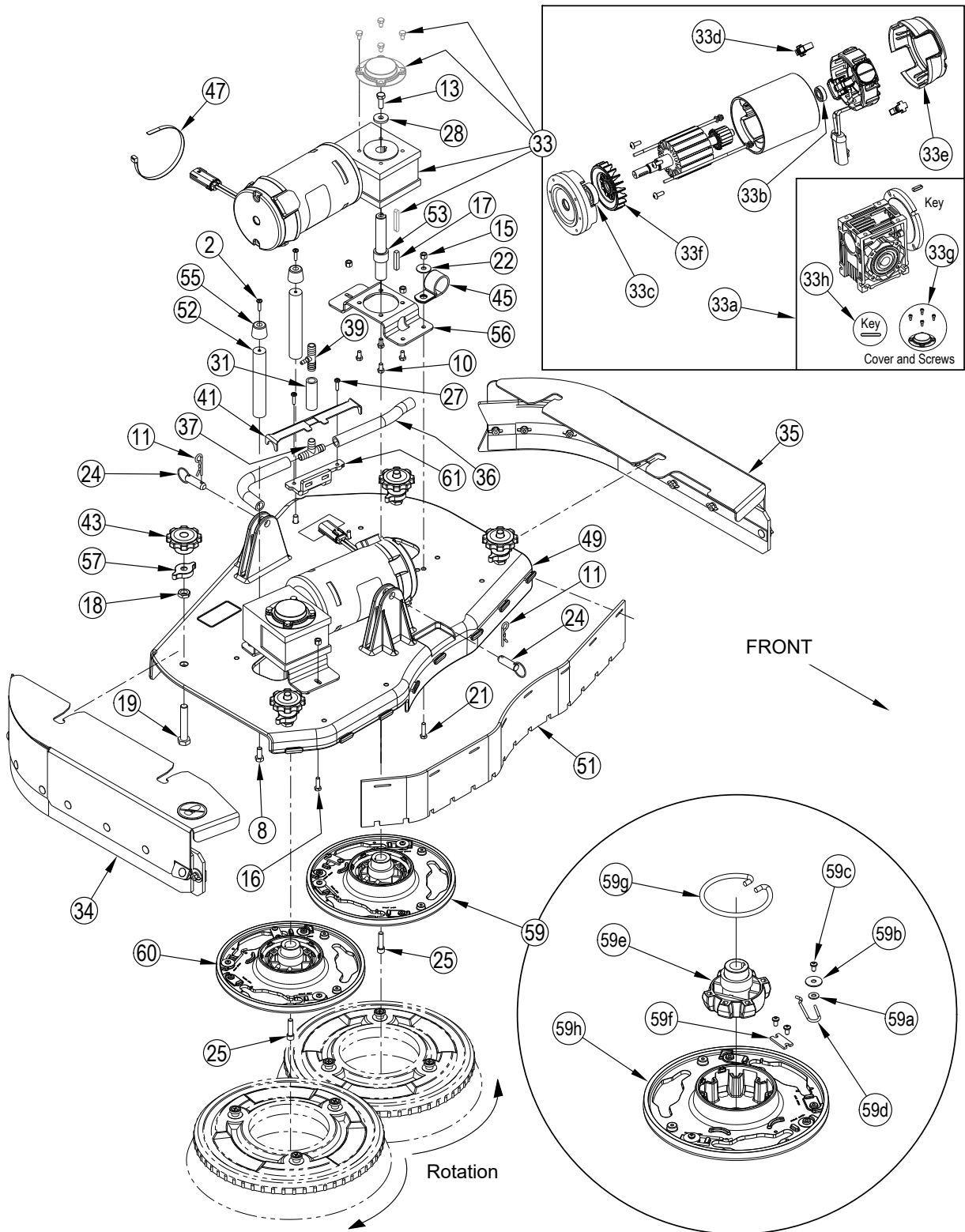


Pos.	Artikel-Nr.	Menge	Variante	Notes
1	56001827	1	NUT HEX SERRATED 1/4-20	
2	56001878	1	SCR HEX HD 1/4-20 X 1.25	
3	56001879	2	U-SCHEIBEN	
4	56002086	4	Madenschraube	
5	56002098	1	Scheibe SAE 1/4	
6	56002684	1	SCR HEX HD 3/8-16x1,75	
7	56002701	3	MUTTER 5-16-18 HEX JAM	
8	56002841	1	NUT HEX NYL LOC-THIN 3/8	
9	56002948	8	Schraube 1/4-20 X .75	
10	56002959	1	Splint zu BA 500	
11	56003008	1	Schraube THD TO HD	
12	56003120	1	Vorstecker	
13	56003223	2	"Splint 0.148"" x 0.62""	
14	56003412	2	Schraube M12 1.75 x 35mm	
15	56003426	9	Stoppmutter M6 Inox	
16	56003431	2	Schraube M6 x 16	
17	56003657	4	Mutter M12-1.75	
18	56003658	4	Schraube	
19	56003679	1	Stift	
20	56003720	3	SCR CARRIAGE SS 5/16-18 X 1.00	
21	56003786	2	Bolzenring	
22	56003803	1	Splint	
23	56003939	1	SCR-HEX SS M6-1 X 95MM	
24	56009019	2	Schraube 1/4-20x.38	
25	56009045	2	WASHER, BOWED	
26	56009060	2	SCHEIBE-U	
27	56009086	5	NUT, HEX JAM 5/16-18	
28	56009122	1	Unterlegscheibe	
29	56115314	2	Riemen-Abdeckung	
30	56115318	2	DRIVE END ASSY	
30a	56002930	2	Madenschraube BR 1300 S	
30b	56003237	1	Keil 19x.62	
30c	56106070	2	BEARING BALL Z22	
30d	56115316	1	SHEAVE-POLY V	
30e	56115319	1	SPINDLE-LONG	
30f	56381765	1	Lagerplatte	
30g	56407389	1	Distanzbüchse	
30h	56407558	1	Scheibe zu BR 850	
31	56115344	2	IDLER END ASSY	
31a	56106070	1	BEARING BALL Z22	
31b	56115273	1	Abdeckung Lager	
31c	56315447	1	Spannradträger	
31d	56407303	1	Rändelmutter	
31e	56407558	1	Scheibe zu BR 850	
32	56123105	1	ACTUATOR ASSEMBLY	[1]
32a	56009019	2	Schraube 1/4-20x.38	
32b	56009062	4	Schraube	
32c	56123104	1	ACTUATOR-36V	
32d	56396268	1	Führung f. Feder	
32e	56412071	1	Druckfeder	
32f	56412262	1	Federgehäuse BA750/850	
32g	56420019	1	Mutter arretierung	
32h	56420020	1	Mutter arretierung	
32i	56601470	1	COMPRESSION SPRING	
32j	56388520	1	Spindelmutter	
33	56123322	1	Schutzvorrichtung rechts	
34	56123332	2	HARNESS-CYLINDRICAL MOTOR	
35	56123333	1	SIDE BLADE ASSY-FIXED-LT-X71C	
36	56123334	1	SEITLICHE KLINGE - FESTSTEHEND - RT-X71C	

Pos.	Artikel-Nr.	Menge	Variante	Notes
37	56123339	1	HOPPER ASSY	
37a	56002948	2	Schraube 1/4-20 X .75	
37b	56003145	2	Nut 1/4 20	
37c	56123319	1	HOPPER WELDMENT-X71C	[2]
37d	56123340	1	HANDLE-HOPPER	
38	56123346	1	TEE-DISTRIBUTION-12.7MM	
39	56123347	2	PLATE-HOLDER-TEE	
40	56123348	1	SPACER-NYLON-6.5X12.7X17.5MM	
41	56123351	2	TUBE ASSY-DRIP-X71C	
42	56219932	1	Briede	
43	56314977	1	TEE BARB	
44	56315061	2	Motor 24V 5HP	[3]
NS	56412257	1	BRUSH CAP ASSY	
NS	56412287	1	Kohlenbürstenset m. Federkompl. BA 755/8	
NS	56412287	4	Kohlenbürstenset m. Federkompl. BA 755/8	
45	56315321	2	Riemen Poly-V Walzenbürste	
46	56316089	1	Abweisrolle	
47	56317071	1	RING	
48	56367206	2	BUCHSE	
49	56380149	4	Rändelschraube	
50	56392663	1	SCHLAUCH SOL E00604	
51	56401783	2	Anschlagschraube BR 700S	
52	56407391	2	Spritzschutz vorne/hinten	
53	56407433	2	Scheibe, Poly-V	
54	56412176	1	Lager	
55	56420160	2	Hülse BR 800	
57	56493357	2	INSULATOR TERMINAL	
58	56601048	1	HOUSING WELDT	
59	56601239	1	Gestänge	
60	56601328	1	YOKE ACTUATOR	
61	56601578	4	Drehknopf	

Part Notes:

- [1] - NOTE 1: Item 32 Is also refered to as DECK ACTUATOR
- [2] - EXPIRED USE 56123339
- [3] - NOTE 2: Item 44 Is also refered to as BRUSH MOTOR – LEFT BRUSH MOTOR - RIGHT

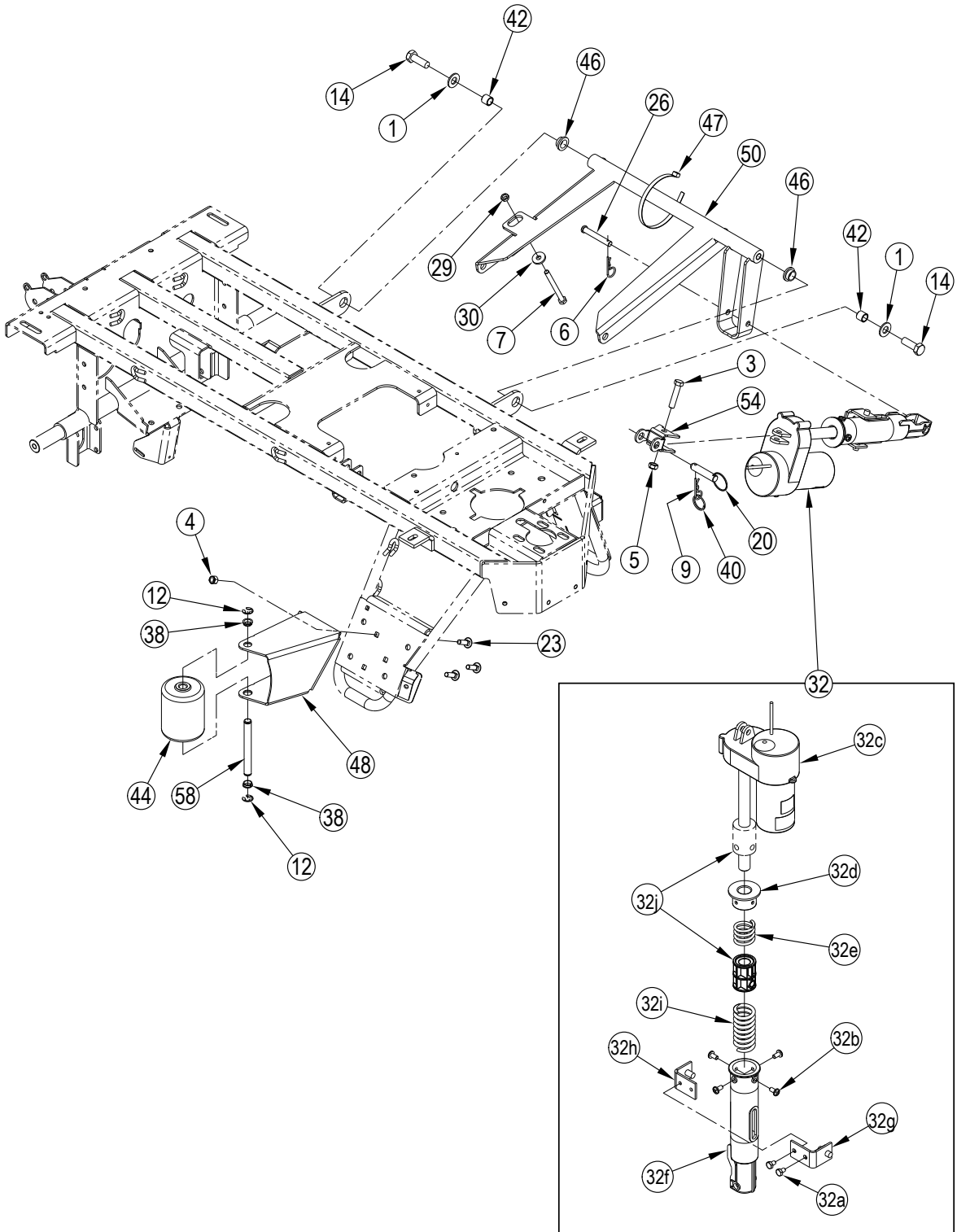


Pos.	Artikel-Nr.	Menge	Variante	Notes
1	56001879	2	U-SCHEIBEN	
2	56002192	2	SCR PAN HD PHIL 10-24X.75	
3	56002684	1	SCR HEX HD 3/8-16x1,75	
4	56002701	3	MUTTER 5-16-18 HEX JAM	
5	56002841	1	NUT HEX NYL LOC-THIN 3/8	
6	56002959	1	Splint zu BA 500	
7	56003008	1	Schraube THD TO HD	
8	56003012	2	SCR HEX HD SS 5/16-18 XO.	
9	56003120	1	Vorstecker	
10	56003211	8	Schraube HEX HDSS	
11	56003223	2	"Splint 0.148" x 0.62"'"	
12	56003264	2	"Benzingring 0,5"'"	
13	56003335	2	Schraube HEX	
14	56003412	2	Schraube M12 1.75 x 35mm	
15	56003426	6	Stoppmutter M6 Inox	
16	56003454	5	Schraube HEX ZHD TO HD	
17	56003526	2	KEY SQ .25 X 1.44	
18	56003657	4	Mutter M12-1.75	
19	56003658	4	Schraube	
20	56003679	1	Stift	
21	56003695	1	Schraube M6	
22	56003696	1	Unterlegscheibe	
23	56003720	3	SCR CARRIAGE SS 5/16-18 X 1.00	
24	56003786	2	Bolzenring	
25	56003798	2	Schraube 5/16 18 X 1.25	
26	56003803	1	Splint	
27	56009043	2	SCR PAN PHIL THD FORM10-24X.75	
28	56009057	2	WSHFLTHARD.344x1.000x	
29	56009086	1	NUT, HEX JAM 5/16-18	
30	56009122	1	Unterlegscheibe	
31	56111385	1	Spiralschlauch 50 x 2.50	
32	56123105	1	ACTUATOR ASSEMBLY	[1]
32a	56009019	2	Schraube 1/4-20x.38	
32b	56009062	4	Schraube	
32c	56123104	1	ACTUATOR-36V	[2]
32d	56396268	1	Führung f. Feder	
32e	56412071	1	Druckfeder	
32f	56412262	1	Federgehäuse BA750/850	
32g	56420019	1	Mutter arretierung	
32h	56420020	1	Mutter arretierung	
32i	56601470	1	COMPRESSION SPRING	
32j	56388520	1	Spindelmutter	
33	56123129	2	MOTOR GEARBOX ASSY-24V-480WATT	
33			M3L, M3R, Item 33 Is also refered to as BRUSH MOTOR – LEFT	
33a	56314785	1	Getriebe	
33b	56601537	1	BALL BEARING OUTPUT SIDE	
33c	56412323	1	Kugellager (Bürstenseite)	
33d	56601534	1	Bürstenmotor	
33e	56601508	1	PLASTIC COVER	
33f	56601536	1	MOTOR FAN	
33g	56601588	1	Abdeckung inkl. Schrauben	
33h	56601535	1	Keil	
34	56123283	1	BRUSH SKIRT ASSY-28-34D-RH-RED	[3]
35	56123362	1	SIDE BLADE ASSEMBLY-LEFT-71D	
36	56262180	2	SPIRALSCHLAUCH 50X7	
37	56262549	1	Aufsatz	
38	56302164	2	Nylonbüchse	
39	56314977	1	TEE BARB	
40	56317071	1	RING	

Pos.	Artikel-Nr.	Menge	Variante	Notes
41	56123299	1	RETAINER-SOLUTION HOSE	
42	56367206	2	BUCHSE	
43	56380149	4	Rändelschraube	
44	56407006	1	Abweisrolle zu BR 850	
45	56409463	1	Clamp, 1.25 Hose support	
46	56420160	2	Hülse BR 800	
47	56477613	2	Kabelbändli 7x380mm	
48	56601032	1	ROLLER BRKT 28	
49	56601113	1	Grundplatte	
50	56601239	1	Gestänge	
51	56601248	1	Gummilippe vorn	
*	56601521	1	Sauglippe vorne	
52	56601289	2	ROD UP STOP	
53	56601319	2	SHAFT HUB MOUNT	
54	56601328	1	YOKE ACTUATOR	
55	56601388	2	Anschlag	
56	56601389	2	BRACKET MOTOR	
57	56601578	4	Drehknopf	
59	56601733	1	Bürstenaufnahme	
59a	980643	1	7/16ODX.036THK Unterlegsc	
59b	56009002	2	UNTERLEGSCHIEBE, FLACH	
59c	56009247	4	SCR PN PHIL PLASTITE 10-14X.38	
59d	56109653	2	Klemmfeder	
59e	56112521	1	Schraubenstützlager	
59f	56366455	1	Platte zu BR 1000	
59g	56601056	1	Sicherungsring	
59h	56601118	1	Bürstenplatte	
60	56601734	1	Bürstenaufnahme	
61	56123289	1	BRACKET-SOLUTION HOSE	

Part Notes:

- [1] - Item 32 Is also referred to as DECK ACTUATOR
- [2] - M5
- [3] - EXPIRED USE 56123361

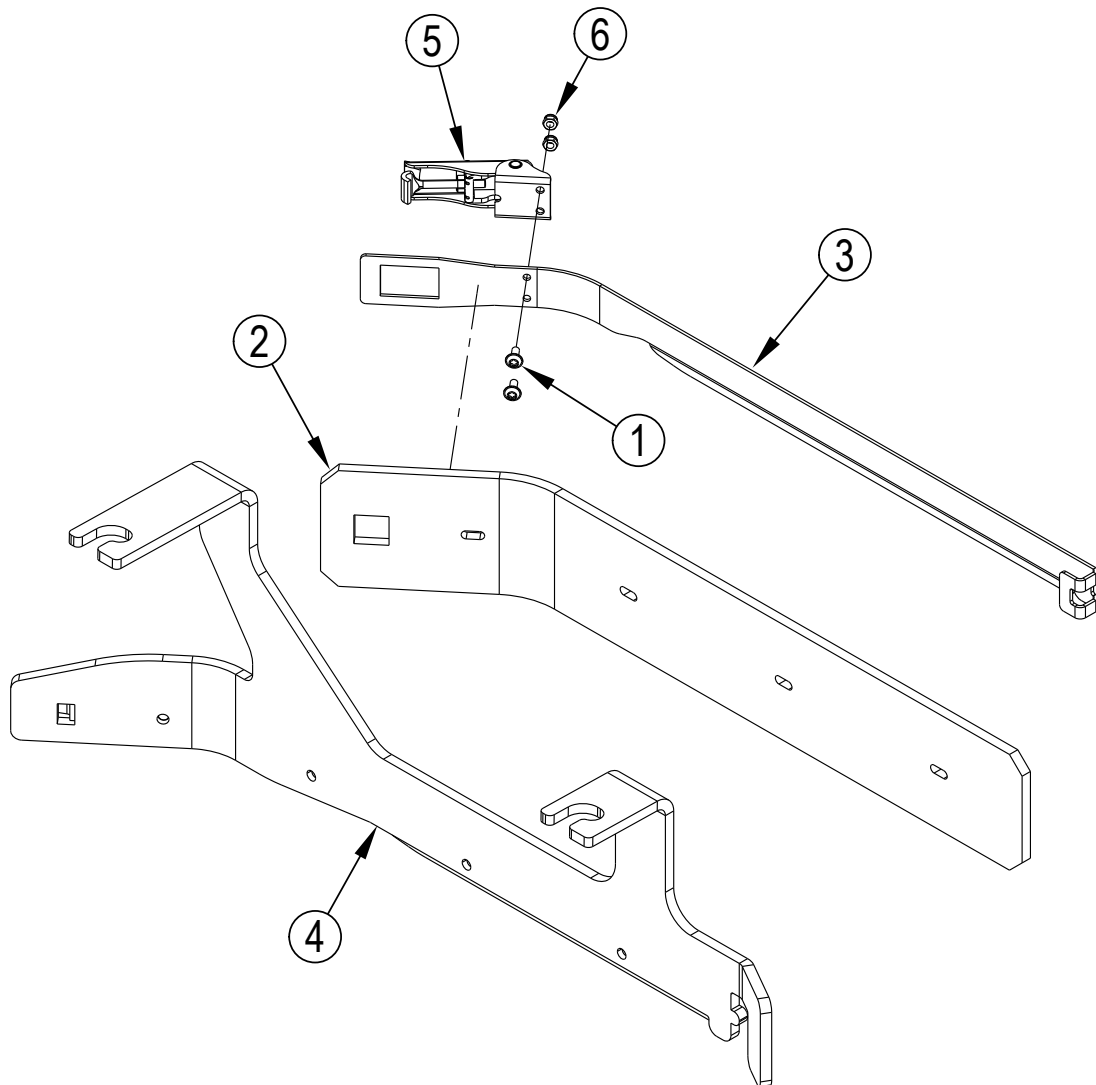


Pos.	Artikel-Nr.	Menge	Variante	Notes
1	56001879	2	U-SCHEIBEN	
2	56002192	2	SCR PAN HD PHIL 10-24X.75	
3	56002684	1	SCR HEX HD 3/8-16x1,75	
4	56002701	3	MUTTER 5-16-18 HEX JAM	
5	56002841	1	NUT HEX NYL LOC-THIN 3/8	
6	56002959	1	Splint zu BA 500	
7	56003008	1	Schraube THD TO HD	
8	56003012	2	SCR HEX HD SS 5/16-18 XO.	
9	56003120	1	Vorstecker	
10	56003211	8	Schraube HEX HDSS	
11	56003223	2	"Splint 0.148" x 0.62"'"	
12	56003264	2	"Benzingring 0,5"'"	
13	56003335	2	Schraube HEX	
14	56003412	2	Schraube M12 1.75 x 35mm	
15	56003426	6	Stoppmutter M6 Inox	
16	56003454	5	Schraube HEX ZHD TO HD	
17	56003526	2	KEY SQ .25 X 1.44	
18	56003657	4	Mutter M12-1.75	
19	56003658	4	Schraube	
20	56003679	1	Stift	
21	56003695	1	Schraube M6	
22	56003696	1	Unterlegscheibe	
23	56003720	3	SCR CARRIAGE SS 5/16-18 X 1.00	
24	56003786	2	Bolzenring	
25	56003798	2	Schraube 5/16 18 X 1.25	
26	56003803	1	Splint	
27	56009043	2	SCR PAN PHIL THD FORM10-24X.75	
28	56009057	2	WSHFLTHARD.344x1.000x	
29	56009086	1	NUT, HEX JAM 5/16-18	
30	56009122	1	Unterlegscheibe	
31	56111385	1	Spiralschlauch 50 x 2.50	
32	56123105	1	ACTUATOR ASSEMBLY	
32a	56009019	2	Schraube 1/4-20x.38	
32b	56009062	4	Schraube	
32c	56123104	1	ACTUATOR-36V	
32d	56396268	1	Führung f. Feder	
32e	56412071	1	Druckfeder	
32f	56412262	1	Federgehäuse BA750/850	
32g	56420019	1	Mutter arretierung	
32h	56420020	1	Mutter arretierung	
32i	56601470	1	COMPRESSION SPRING	
32j	56388520	1	Spindelmutter	
33	56123129	2	MOTOR GEARBOX ASSY-24V-480WATT	
33a	56314785	1	Getriebe	
33b	56601537	1	BALL BEARING OUTPUT SIDE	
33c	56412323	1	Kugellager (Bürstenseite)	
33d	56601534	1	Bürstenmotor	
33e	56601508	1	PLASTIC COVER	
33f	56601536	1	MOTOR FAN	
33g	56601588	1	Abdeckung inkl. Schrauben	
33h	56601535	1	Keil	
34	56123283	1	BRUSH SKIRT ASSY-28-34D-RH-RED	[1]
35	56123362	1	SIDE BLADE ASSEMBLY-LEFT-71D	
36	56262180	2	SPIRALSCHLAUCH 50X7	
37	56262549	1	Aufsatz	
38	56302164	2	Nylonbüchse	
39	56314977	1	TEE BARB	
40	56317071	1	RING	
41	56123299	1	RETAINER-SOLUTION HOSE	

Pos.	Artikel-Nr.	Menge	Variante	Notes
42	56367206	2	BUCHSE	
43	56380149	4	Rändelschraube	
44	56407006	1	Abweisrolle zu BR 850	
45	56409463	1	Clamp, 1.25 Hose support	
46	56420160	2	Hülse BR 800	
47	56477613	2	Kabelbändli 7x380mm	
48	56601032	1	ROLLER BRKT 28	
49	56601113	1	Grundplatte	
50	56601239	1	Gestänge	
51	56601248	1	Gummilippe vorn	
*	56601521	1	Sauglippe vorne	
52	56601289	2	ROD UP STOP	
53	56601319	2	SHAFT HUB MOUNT	
54	56601328	1	YOKE ACTUATOR	
55	56601388	2	Anschlag	
56	56601389	2	BRACKET MOTOR	
57	56601578	4	Drehknopf	
58	56601580	1	Bolzen	
59a	980643	1	7/16ODX.036THK Unterlegsc	
59b	56009002	2	UNTERLEGSCHIEBE, FLACH	
59c	56009247	4	SCR PN PHIL PLASTITE 10-14X.38	
59d	56109653	2	Klemmfeder	
59e	56112521	1	Schraubenstützlager	
59f	56366455	1	Platte zu BR 1000	
59g	56601056	1	Sicherungsring	
59h	56601118	1	Bürstenplatte	
60	56601734	1	Bürstenaufnahme	
61	56123289	1	BRACKET-SOLUTION HOSE	

Part Notes:

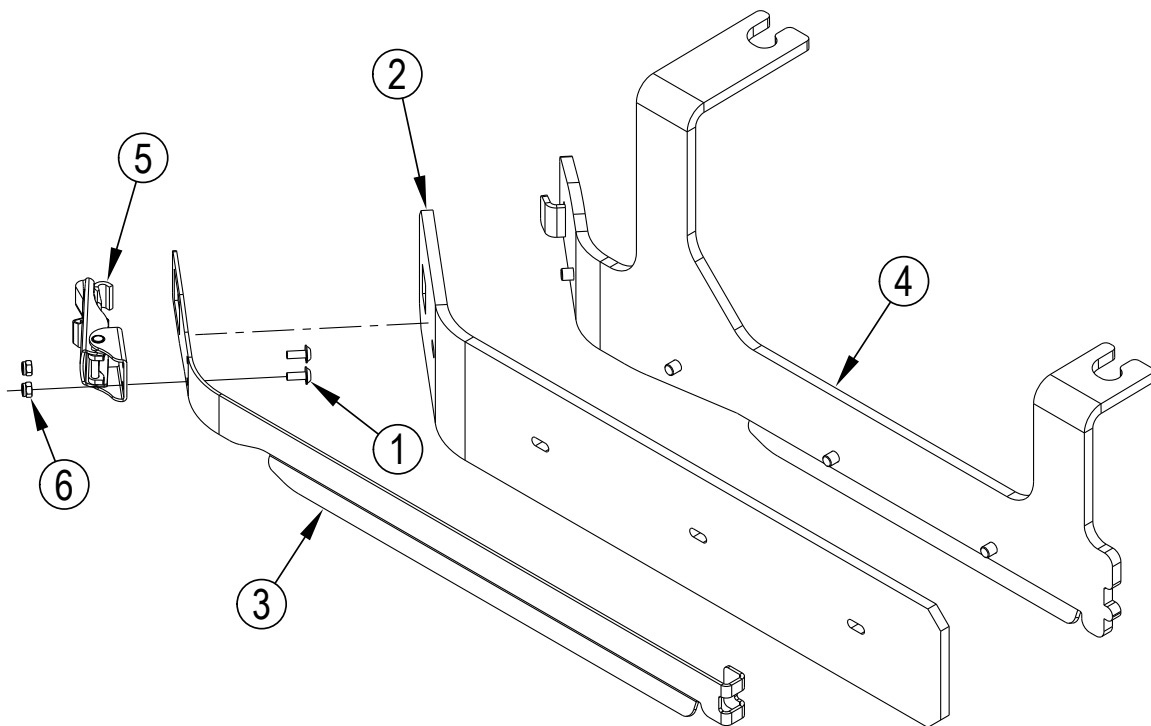
[1] - EXPIRED USE 56123361



Pos.	Artikel-Nr.	Menge	Variante	Notes
1		2	Scr Trx M4x10 Bk Zc W/Thd Lck	[1]
2	56117309-SP	1	BLADE-CYLINDRICAL-RED	
3		1	Strap-Side Blade-Cyl-Left	[1]
4	56123335	1	BLADE MOUNT WELDMENT-LT-X71C	
5		1	Latch Assembly	[1]
6		2	Nut Lock Hex M4 Low Ss Iso10511	[1]
			Service Kits	
K1	56117252	1	LH STRAP KIT-CYL	

Part Notes:

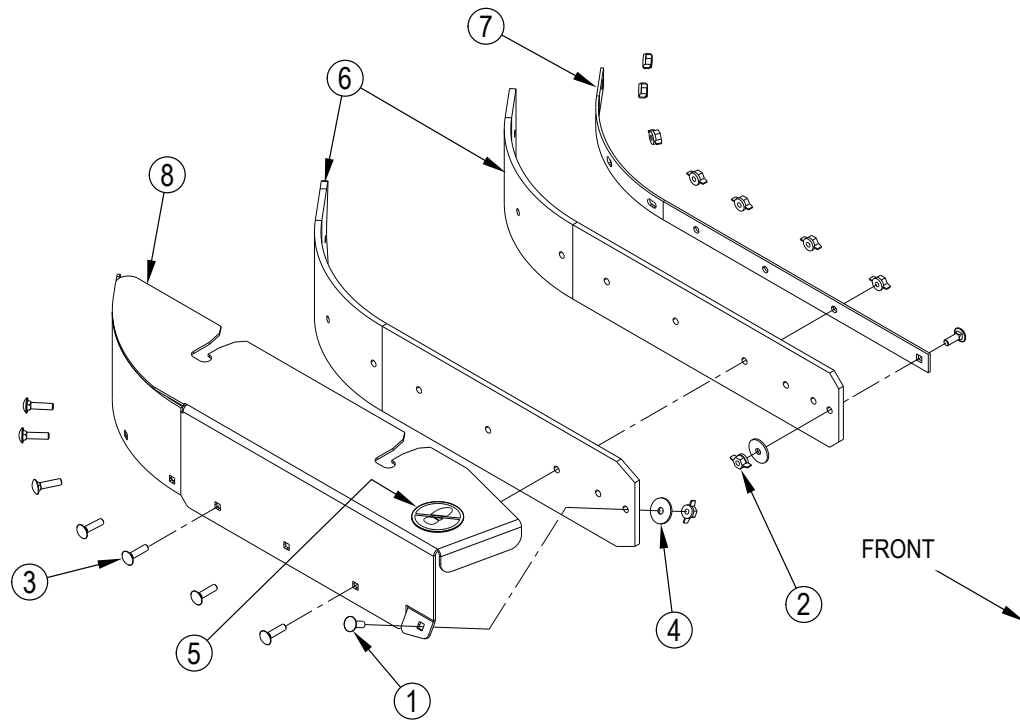
[1] - K1



Pos.	Artikel-Nr.	Menge	Variante	Notes
1		2	Scr Trx M4x10 Bk Zc W/Thd Lck	[1]
2	56117309-SP	1	BLADE-CYLINDRICAL-RED	
3		1	Strap-Side Blade-Cyl-Right	[1]
4	56123336	1	BLADE MOUNT WELDMENT-RT-X71C	
5		1	Latch Assembly	[1]
6		2	Nut Lock Hex M4 Low Ss Iso10511	[1]
			Service Kits	
K2	56117238	1	KIT GURT RECHTS ZYL	

Part Notes:

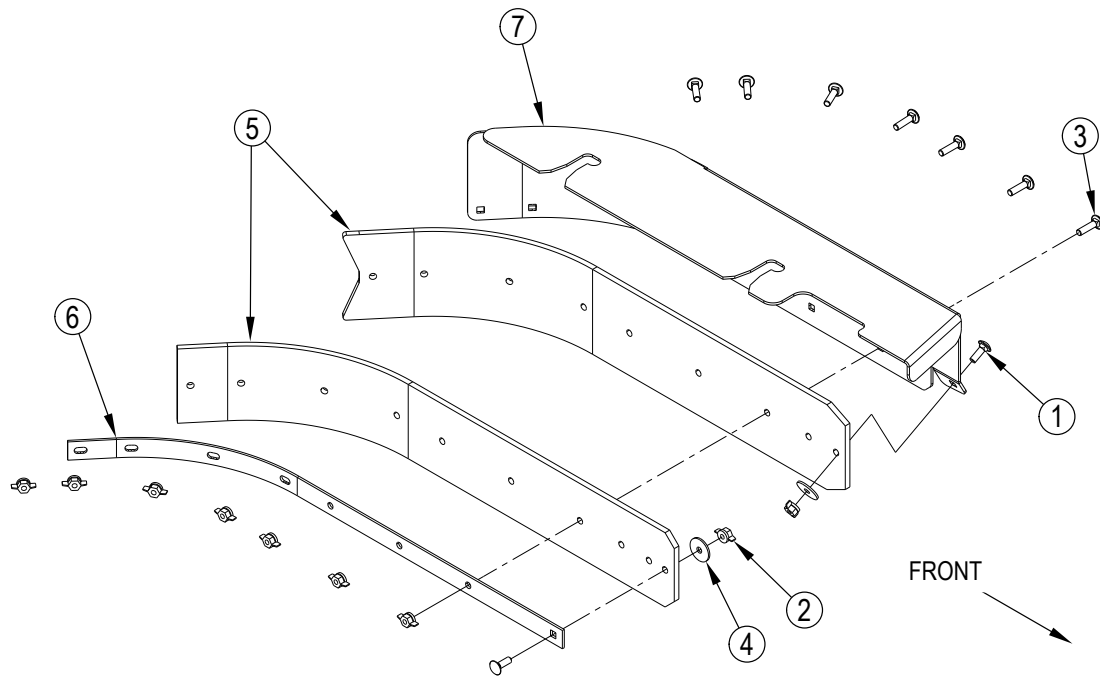
[1] - K2



Pos.	Artikel-Nr.	Menge	Variante	Notes
	56123283	1	BRUSH SKIRT ASSY-28-34D-RH-RED	[1]
1	56003715	2	Halter	
2	56003824	9	Mutter 1/4 20	
3	56003828	7	Schraube 1/4 20x1.00	
4	56009060	2	SCHEIBE-U	
5	56016163	1	Aufkleber no-Step	
6	56383488	1	Seitenschürze-Set, Gummi	[2]
	56383489	1	Seitenschürze-Set, Gummi rot	[3]
	56383490	1	Seitenschürze-Set, PU	[3]
7	56601040	1	RETAINER-SKIRT	
8	56601041	1	FRAME-SKIRT RH	

Part Notes:

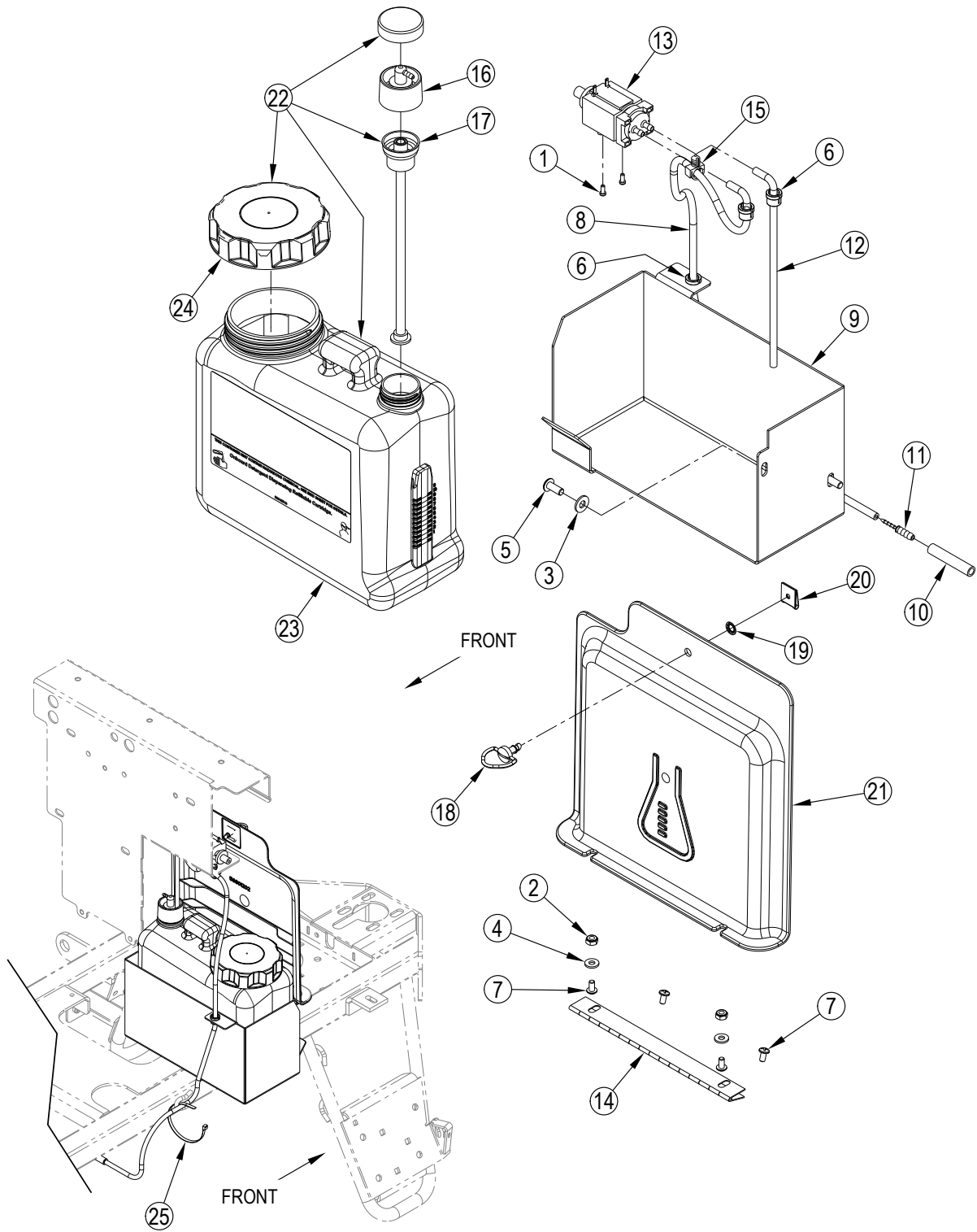
- [1] - EXPIRED USE 56123361
- [2] - All disc deck blade kits include all side skirt blades
- [3] - All disc deck blade kits include all side skirt blades. Optional, Not Included



Pos.	Artikel-Nr.	Menge	Variante	Notes
	56123362	1	SIDE BLADE ASSEMBLY-LEFT-71D	
1	56003715	2	Halter	
2	56003824	9	Mutter 1/4 20	
3	56003828	7	Schraube 1/4 20x1.00	
4	56009060	2	SCHEIBE-U	
5	56383488	1	Seitenschürze-Set, Gummi	[1]
	56383489	1	Seitenschürze-Set, Gummi rot	[2]
	56383490	1	Seitenschürze-Set, PU	[2]
6	56601040	1	RETAINER-SKIRT	
7	56601043	1	FRAME-SKIRT LH 28	

Part Notes:

- [1] - All disc deck blade kits include all side skirt blades
- [2] - All disc deck blade kits include all side skirt blades. Optional, Not Included



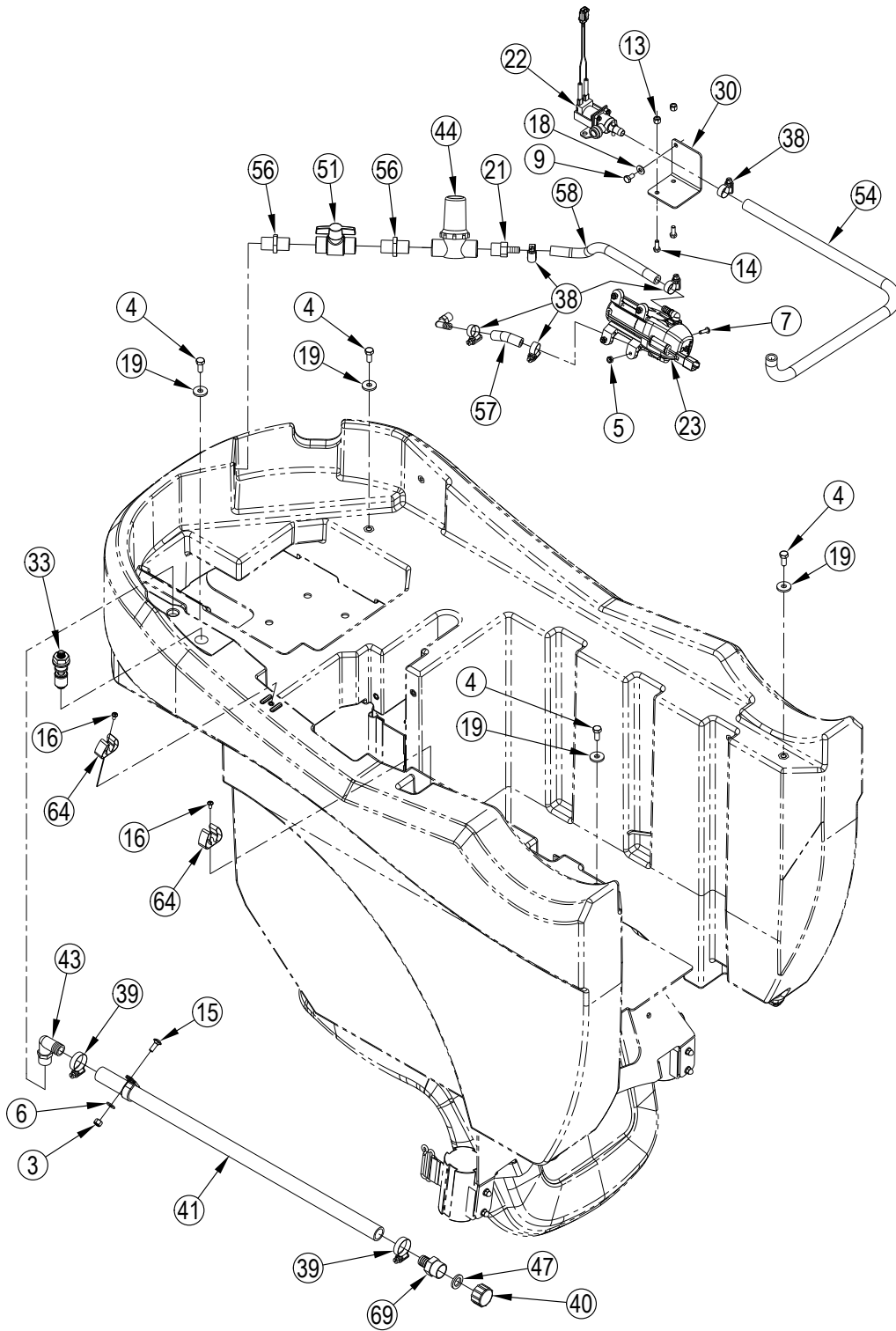
Pos.	Artikel-Nr.	Menge	Variante	Notes
1	56002539	2	Chemiebehälter	
2	56002849	2	NUT HEX NYL LOC-THIN SS10	
3	56002859	2	Mutter SS 1/4	
4	56002916	4	WSH FLT SAE SS #10	
5	56002989	2	Schraube	
6	56003699	3	Abläßschraube 1/4	
7	56003913	4	SCR-PAN PHIL LOC SS 10-24X.38	
8	56111511	1	HOSE 1/8 ID X 32 LG	
9	56123084	1	BRACKET-CHEMICAL TANK	
10	56314976	1	HOSE CHEM RESISTANT	
11	56314982	1	REDUCER BARB	
12	56314991	1	Schlauch 14,	
13	56315241	1	EDS Pumpe	
14	56315285	1	HINGE	
15	56315382	1	CLIP CONDUIT	
16	56315523	1	Deckel EDS-Schwimmer	
17	56315527	1	Buchseneinsatz EDSzu BA 551	
18	56380132	1	Halter	
19	56380137	1	Halter	
20	56380141	1	Steckhülse	
21	56601202	1	CHEMICAL BOTTLE COVER	
22	56601545	1	Ecoflex-Behälter	
23	56601544	1	Tank für Ecoflex	
24	9100001512	1	CAP PLASTIC F CHEMICAL TANK	
25	56383973	1	CABLE TIE-BLACK-8 INCH	

Pos.	Artikel-Nr.	Menge	Variante	Notes
1	56001812	3	SCR TRSS PHIL 1/4-20 X .50 BLK	
2	56001834	3	Schraube 5/16-18 x 1,25	
3	56002491	1	Stopmutter 1/4-20	
4	56002667	4	Schraube 5/16-18 X.75	
5	56002849	1	NUT HEX NYL LOC-THIN SS10	
6	56002859	7	Mutter SS 1/4	
7	56002894	4	SCR PAN PHIL SS 10-24 X .75	
8	56002916	13	WSH FLT SAE SS #10	
9	56002935	1	SCR HEX LOC SS 1/4-20 X .5	
10	56003056	8	SCR FLT PHIL SS 10-24X.62	
11	56003119	8	SCR PAN PHIL SS 1/4 20 X .50.	
12	56003400	5	Schraube	
13	56003426	2	Stopmutter M6 Inox	
14	56003431	2	Schraube M6 x 16	
15	56003715	1	Halter	
16	56003913	3	SCR-PAN PHIL LOC SS 10-24X.38	
17	56009061	4	NUT ACORN S.S. 10-24	
18	56009064	1	Unterlegscheibe	
19	56009122	4	Unterlegscheibe	
20	56009195	2	WSH FLT .406X 1.250X .164	
21	56051207	1	ADAPTER BARB MALE E00039 NYLON	
22	56104572	1	SOLENOID VALVE ASSEMBLY	[1]
23	56104588	1	PUMP-24VDC	[2]
NS	56104726	1	PORT KIT-PUMP-3/8 QD ELBOWS	
24	56116789	2	U-NUT-LONG M6	
25	56116800	2	SCREW M6X20 WN1451 BLACK ZN	
26	56123028	1	MAT-FLOOR	
27	56123029	1	COVER WELDMENT	
28	56123060	1	ELECTRICAL PANEL WELDMENT	
29	56123068	1	COVER-ELEC COMPARTMENT	
30	56123079	1	BRACKET-VALVE	
31	56123093	1	SEAT PANEL WELDMENT	[3]
32	56123095	1	TANK-SOLUTION-W/ FLOAT HOLE	
33		1	Switch-Float-Vertical	[4]
34	56123143	1	COVER-SIDE-SEAT	
35	56123188	1	BRACKET-RETRACTABLE BELT	
36	56123190	2	BELT-RETRACTABLE	
37	56123231	1	SEAL-BULB	
38	56219932	5	Briede	
39	56244969	2	Schlauch-Briede	
40	56255076	1	Frischwasserverschluss zu BA 530	
41	56261265	1	Plastikrohr	
42	56305547	1	PLUG PIPE E00040	
43	56314757	1	Gelenkverschraubung	
44	56315296	1	Frischwasserfilter	
45	56315374	1	Drehknopf	
46	56315382	1	CLIP CONDUIT	
47	56368776	1	Dichtung Frischwasser-verschluss zu BA 5	
48	56380132	1	Halter	
49	56380137	1	Halter	
50	56380141	1	Steckhülse	
51	56381475	1	BALL VALVE	
52	56383230	3	FLANGED BUSHING SEAT	
53	56394342	1	SEAT-MID BACK-11.25IN MOUNT	
54	56395870	1	Schlauch	
55	56410223	1	Schelle	
56	56412182	2	Nippel	
57	56412187	1	Frischwasserverbindungs-	
58	56456830	1	TUBE 3/8 X 10.00 E00603	

Pos.	Artikel-Nr.	Menge	Variante	Notes
59	56510442	1	Schraubverschluß	
60	56601252	1	GASKET	
61	56601268	1	PLATE	
62	56601569	1	GASKET	
63	56601570	1	Dichtung	
64	56601598	2	Schlauchclip	
65	56601600	1	FOAM INSERT	
66	56601685	1	Dichtung	
67	56601843	1	PLATE	
68	56900036	1	Elbow Barb E00037	
69	56900273	1	Schlauchnippel BA 800	
70	7-82-00050	1	Sitzschalter BR 1300 S	[5]
			Service Kits	
K1	56123245	1	SOLUTION FLOAT SWITCH KIT	[6]

Part Notes:

- [1] - L5, Item 22 Is also refered to as SOLUTION SOLENOID
- [2] - M8, Item 23 Is also refered to as SOLUTION PUMP
- [3] - REPLACED BY 56123366
- [4] - K1- S2 Item 33 Is also refered to as SOLUTION FLOAT SWITCH
- [5] - S3
- [6] - S2
IS56090437 - Solution Float Switch Kit - 56123245

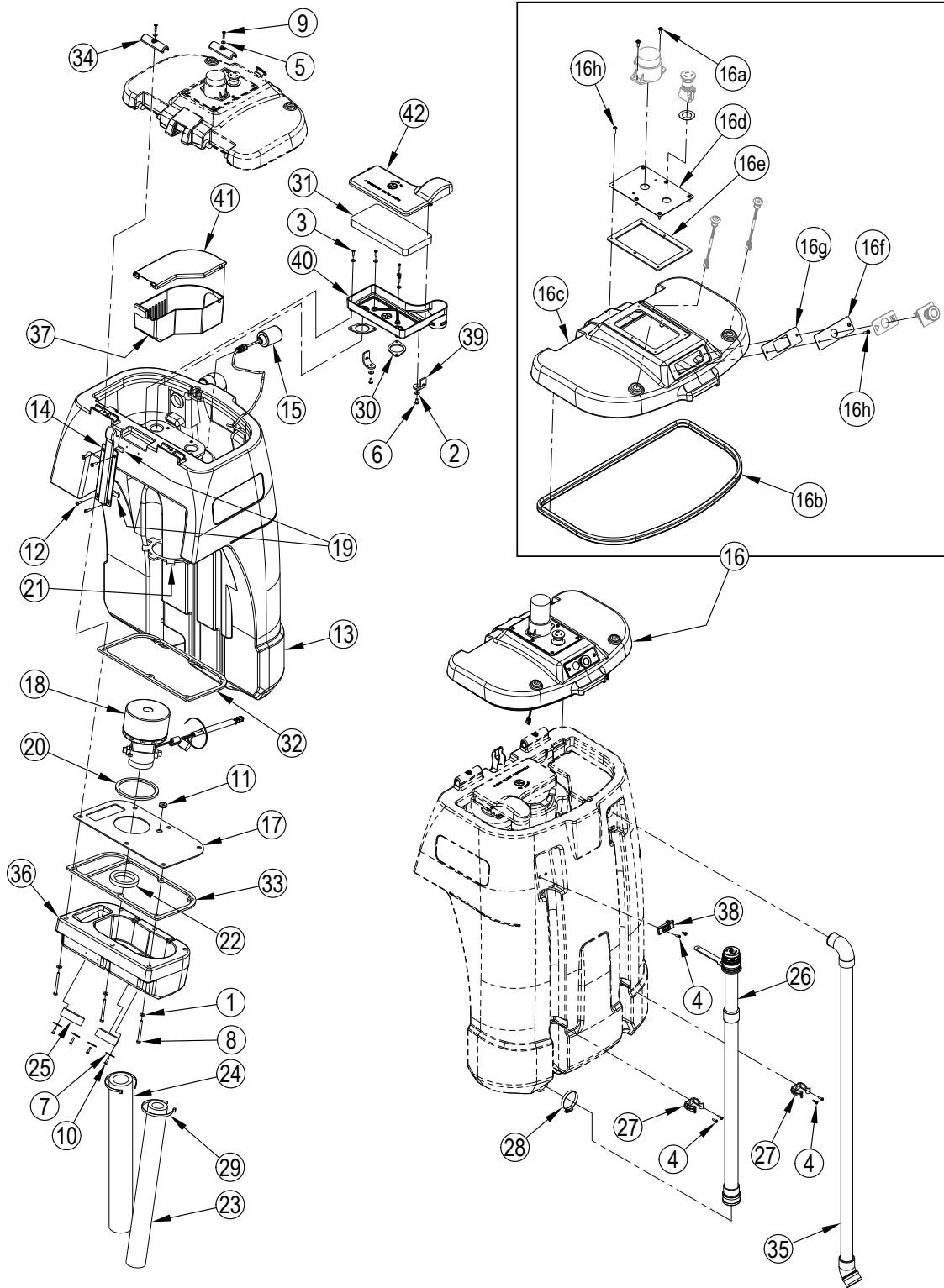


Pos.	Artikel-Nr.	Menge	Variante	Notes
1	56001812	3	SCR TRSS PHIL 1/4-20 X .50 BLK	
2	56001834	3	Schraube 5/16-18 x 1,25	
3	56002491	1	Stopmutter 1/4-20	
4	56002667	4	Schraube 5/16-18 X.75	
5	56002849	1	NUT HEX NYL LOC-THIN SS10	
6	56002859	7	Mutter SS 1/4	
7	56002894	4	SCR PAN PHIL SS 10-24 X .75	
8	56002916	13	WSH FLT SAE SS #10	
9	56002935	1	SCR HEX LOC SS 1/4-20 X .5	
10	56003056	8	SCR FLT PHIL SS 10-24X.62	
11	56003119	8	SCR PAN PHIL SS 1/4 20 X .50.	
12	56003400	5	Schraube	
13	56003426	2	Stopmutter M6 Inox	
14	56003431	2	Schraube M6 x 16	
15	56003715	1	Halter	
16	56003913	3	SCR-PAN PHIL LOC SS 10-24X.38	
17	56009061	4	NUT ACORN S.S. 10-24	
18	56009064	1	Unterlegscheibe	
19	56009122	4	Unterlegscheibe	
20	56009195	2	WSH FLT .406X 1.250X .164	
21	56051207	1	ADAPTER BARB MALE E00039 NYLON	
22	56104572	1	SOLENOID VALVE ASSEMBLY	[1]
23	56104588	1	PUMP-24VDC	[2]
NS	56104726	1	PORT KIT-PUMP-3/8 QD ELBOWS	
24	56116789	2	U-NUT-LONG M6	
25	56116800	2	SCREW M6X20 WN1451 BLACK ZN	
26	56123028	1	MAT-FLOOR	
27	56123029	1	COVER WELDMENT	
28	56123060	1	ELECTRICAL PANEL WELDMENT	
29	56123068	1	COVER-ELEC COMPARTMENT	
30	56123079	1	BRACKET-VALVE	
31	56123093	1	SEAT PANEL WELDMENT	[3]
32	56123095	1	TANK-SOLUTION-W/ FLOAT HOLE	
33		1	Switch-Float-Vertical	[4]
34	56123143	1	COVER-SIDE-SEAT	
35	56123188	1	BRACKET-RETRACTABLE BELT	
36	56123190	2	BELT-RETRACTABLE	
37	56123231	1	SEAL-BULB	
38	56219932	5	Briede	
39	56244969	2	Schlauch-Bride	
40	56255076	1	Frischwasserverschluss zu BA 530	
41	56261265	1	Plastikrohr	
42	56305547	1	PLUG PIPE E00040	
43	56314757	1	Gelenkverschraubung	
44	56315296	1	Frischwasserfilter	
45	56315374	1	Drehknopf	
46	56315382	1	CLIP CONDUIT	
47	56368776	1	Dichtung Frischwasser-verschluss zu BA 5	
48	56380132	1	Halter	
49	56380137	1	Halter	
50	56380141	1	Steckhülse	
51	56381475	1	BALL VALVE	
52	56383230	3	FLANGED BUSHING SEAT	
53	56394342	1	SEAT-MID BACK-11.25IN MOUNT	
54	56395870	1	Schlauch	
55	56410223	1	Schelle	
56	56412182	2	Nippel	
57	56412187	1	Frischwasserverbindungs-	
58	56456830	1	TUBE 3/8 X 10.00 E00603	

Pos.	Artikel-Nr.	Menge	Variante	Notes
59	56510442	1	Schraubverschluß	
60	56601252	1	GASKET	
61	56601268	1	PLATE	
62	56601569	1	GASKET	
63	56601570	1	Dichtung	
64	56601598	2	Schlauchclip	
65	56601600	1	FOAM INSERT	
66	56601685	1	Dichtung	
67	56601843	1	PLATE	
68	56900036	1	Elbow Barb E00037	
69	56900273	1	Schlauchnippel BA 800	
70	7-82-00050	1	Sitzschalter BR 1300 S	
			Service Kits	
K1	56123245	1	SOLUTION FLOAT SWITCH KIT	

Part Notes:

- [1] - L5, Item 22 Is also refered to as SOLUTION SOLENOID
- [2] - M8, Item 23 Is also refered to as SOLUTION PUMP
- [3] - REPLACED BY 56123366
- [4] - K1 - S2 Item 33 Is also refered to as SOLUTION FLOAT SWITCH

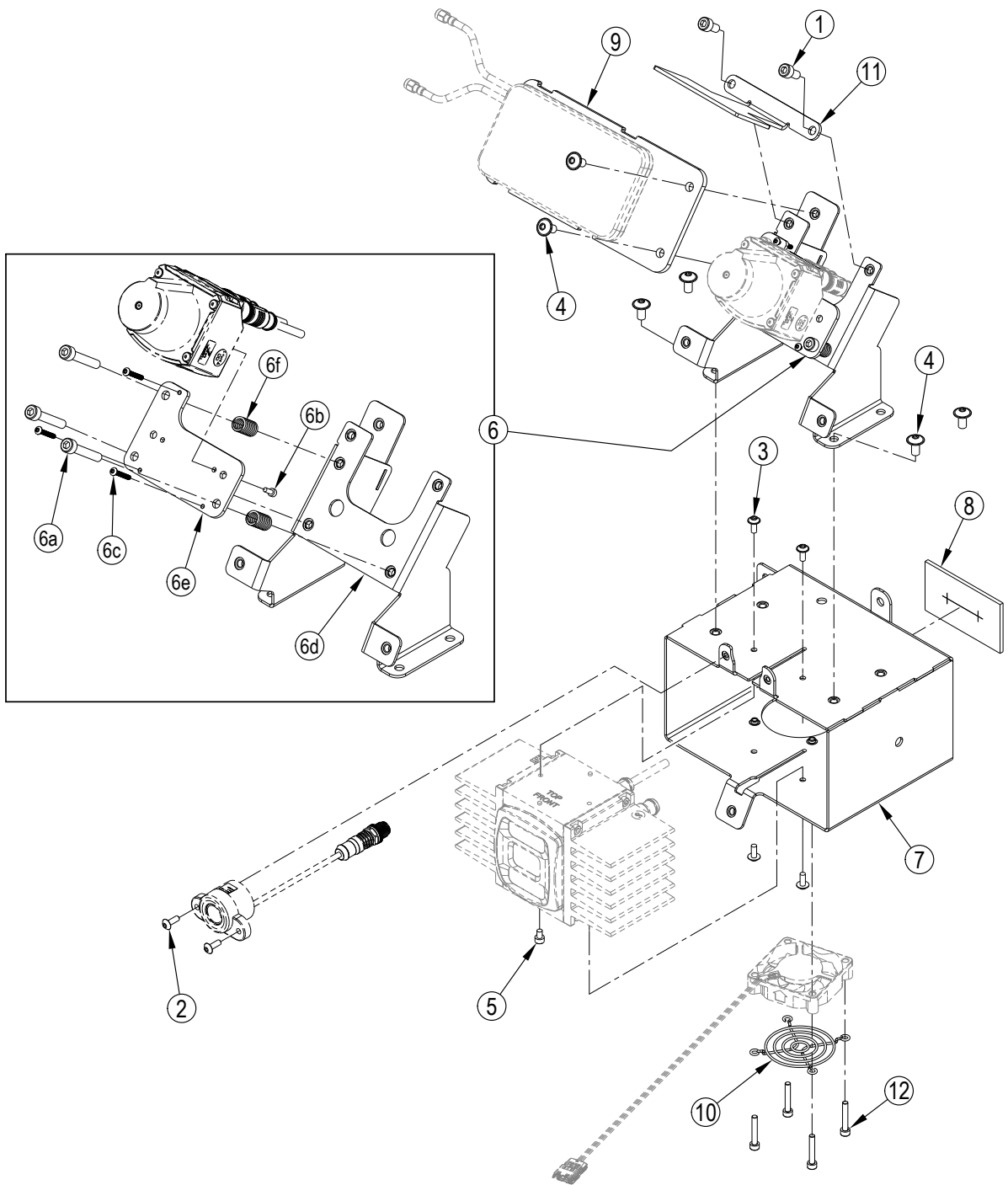


Pos.	Artikel-Nr.	Menge	Variante	Notes
1	56002098	6	Scheibe SAE 1/4	
2	56002859	2	Mutter SS 1/4	
3	56002894	4	SCR PAN PHIL SS 10-24 X .75	
4	56002896	6	Schraube SS10-24X0	
5	56002916	6	WSH FLT SAE SS #10	
6	56003799	2	PLASTITE 1/4-10 X 1/2	
7	56003817	4	WSH-FLT SS .281 X 1.25 X .05	
8	56003867	6	SCR-HEX LOC 1/4-20 X 3.00	
9	56003951	2	SCR-PAN PHIL LOC SS 10-24X .88	
10	56009005	4	Schraube 16x.75	
11	56056551	1	GROMMET E00059	
12	56116800	4	SCREW M6X20 WN1451 BLACK ZN	
13	56123107	1	TANK-RECOVERY-SC60	[1]
14	56123110	1	COVER-RECOVERY-WIRING	[2]
15	56123342	1	RECOVERY FLOAT SWITCH KIT	[3]
16		1	Recovery Lid Assembly	
16a	56004019	2	SCR M5X16 ISO7380-2 FLG BLK	
16b	56114185	1	Deckeldichtung für Schmutzwassertank	
16c	56123106	1	LID-RECOVERY-SC60	
16d	56123109	1	PLATE-SWITCH-SC60	
16e	56123111	1	GASKET-SWITCH PLATE	
16f	56123115	1	PLATE-START/PAUSE	
16g	56123144	1	GASKET-START/PAUSE	
16h	302004029	8	SCREW 5X18	
17	56123140	1	PLATE-VACUUM-SC60	
18	56123141	1	MOTOR-VACUUM-24VDC	[4]
	56397098	1	Kohlebürste (Set)	
19	56123177	2	GASKET-CHANNEL	
20	56212143	1	GASKET VACUUM DUCT	
21	56264103	1	GASKET VAC MOTOR	
22	56314760	1	Dichtung	
23	56315375	1	Geräuschkämmung	
24	56315847	1	Schaumstoffröhre	
25	56344168	2	Filter	
26	56383319	1	DRAIN HOSE ASSY-1.5	
27	56407361	2	Plastikklammer zu BR 850	
28	56440213	1	Schlauchbride	
29	56477613	2	Kabelbändli 7x380mm	
30	56601121	2	Dichtung	
31	56601125	1	Filter	
32	56601126	1	GASKET EXHAUST	
33	56601127	1	GASKET VAC	
34	56601128	2	Klemmbügel	
35	56394602	1	HOSE-REC-1.5 X 46	
36	56601137	1	Motorhaube	
37	56601138	1	Schmutzbehälter	
38	56601204	1	Schlauchhalter	
39	56601250	2	Spanngummi	
40	56601253	1	Filterbox	
41	56601421	1	Deckel f. Schmutzbehälter	
42	56601451	1	Deckel f. Filterbox	
			Service Kits	
K1	56123342	1	RECOVERY FLOAT SWITCH KIT	[5]

Part Notes:

- [1] - replaced by 56123375 ECO A-15334
FOR SN BEFORE 4000321012 DIRECT CUSTOMER TO ORDER BOTH 56123375 56123377. FOR SN 4000321012 AND AFTER
DIRECT CUSTOMER TO PN 56123375
- [2] - Multiple replacements

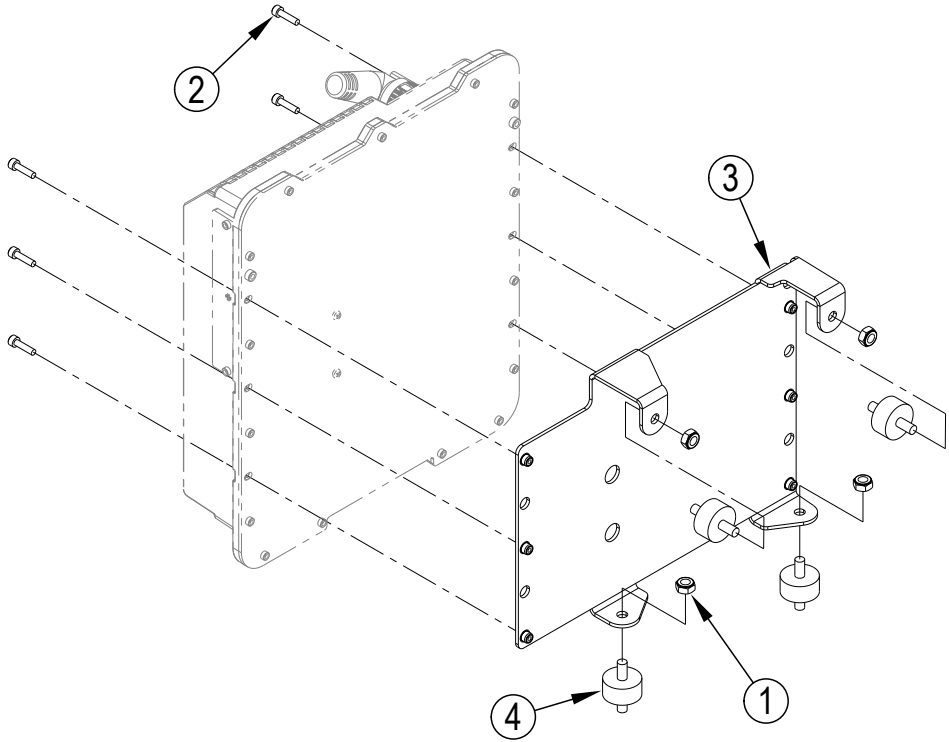
- [3] - IS56090474 - Recovery Float Switch Kit - 56123342
S1, Item 15 Is also refered to as RECOVERY FLOAT SWITCH
- [4] - M4, Item 18 Is also refered to as VACUUM MOTOR
- [5] - IS56090474 - Recovery Float Switch Kit - 56123342



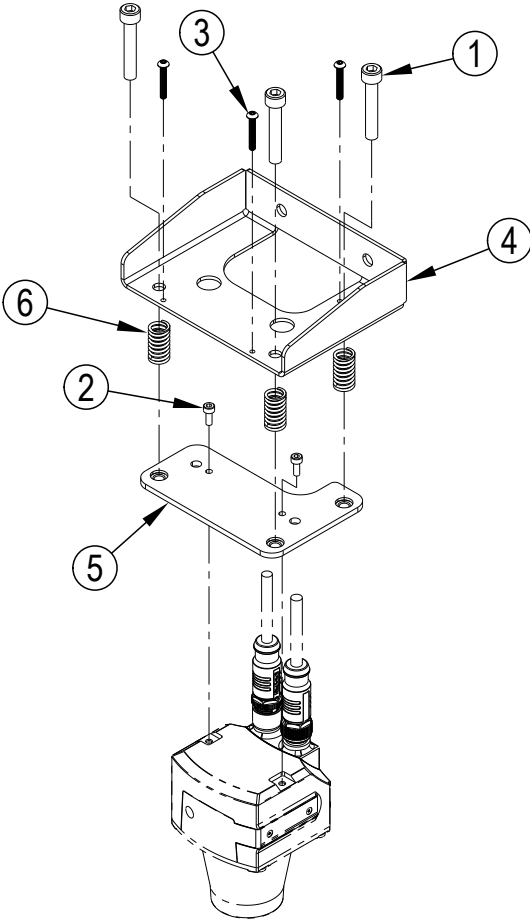
Pos.	Artikel-Nr.	Menge	Variante	Notes
		1	Sensor Assy	
1	56003357	2	SCR SOC THD TO HD M6 X 12.0	[1]
2	56003997	2	SCR-BUTTON SOC SS M4-0.7X12	
3	56004097	4	SCR TRX M4X10 BK ZC W/THD LCK	
4	56004100	6	SCR TRX M6X12 W/THD LCK BLK	
5	56004165	1	SCR M4X6 SKT DIN912 ZNC STL	
6	56123033	1	SLANTED LIDAR ASSEMBLY	
6a		3	Scr Soc M6-1.0x35	
6b	56004168	2	SCR M3X8 SKT DIN912 ZNC STL	
6c		3	Scr M3x20 Btn Iso7380 Stl Znc	
6d		1	Slanted Lidar Weldment	
6e		1	Plate-Mounting-Slanted Lidar	
6f		3	Spring Comp E00453	
7	56123034	1	SENSOR MOUNTING WELDMENT	
8	56123040	1	SEAL-CABLE	
9		1	Antenna Assembly	[2]
10	56123044	1	GUARD-FAN-60MM	
11	56123179	1	BRACKET-INTERFERENCE TARGET	
12	9096333000	4	SOC HD CAP SCREW M4X25	
			Service Kits	
K1	56123250	1	CELLULAR ANTENNA KIT	[3]

Part Notes:

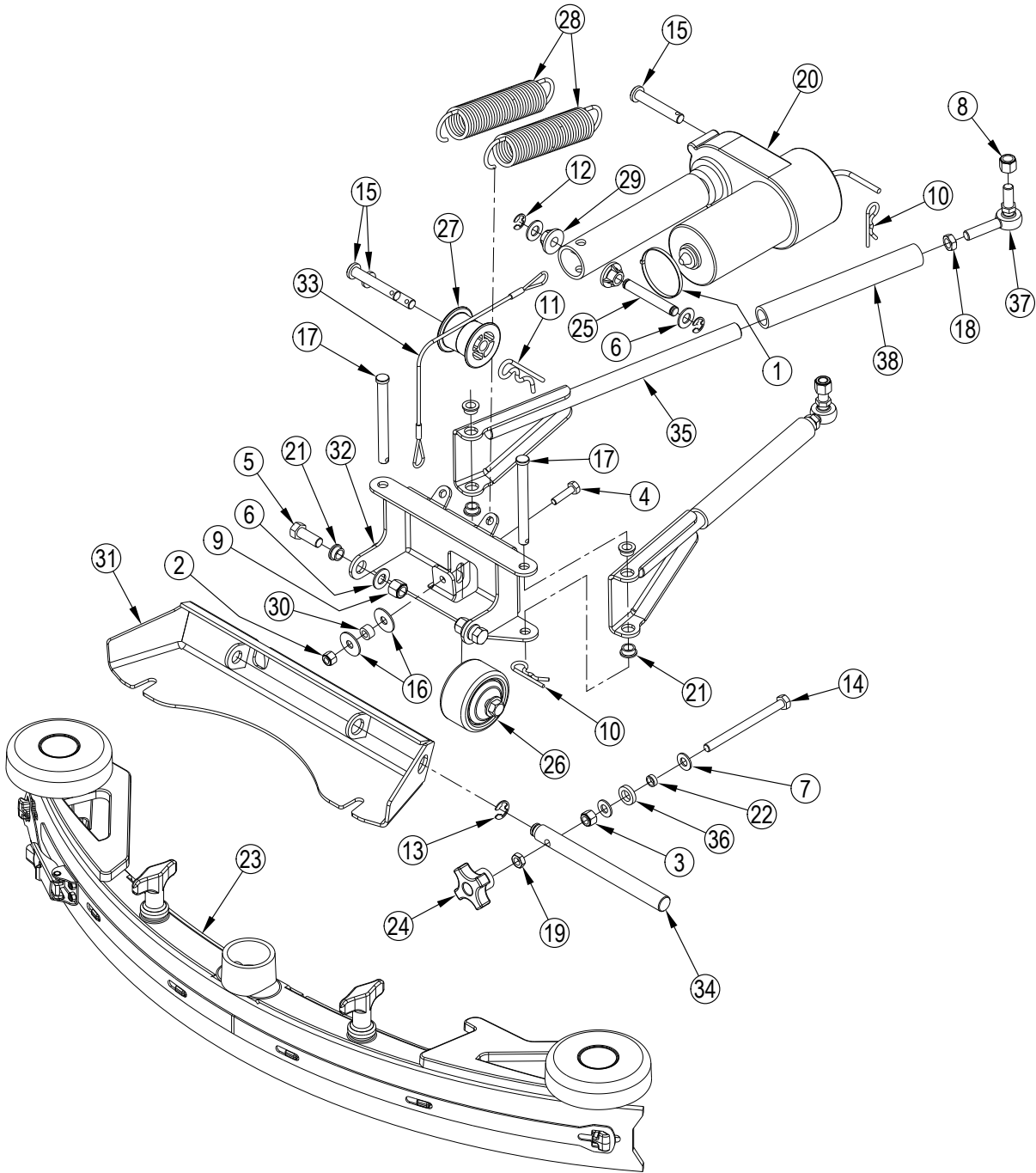
- [1] - Closed SEE MI-SP-007
- [2] - K1
- [3] - IS56090441 - Cellular Antenna Kit - 56123250



Pos.	Artikel-Nr.	Menge	Variante	Notes
		1	Controller Assy	
1	56002840	4	Nut 1/4 20	
2	56004167	6	SCR M4X16 SKT DIN912 ZNC STL	
3	56123163	1	BRACKET-CONTROLLER MOUNTING	
4	56507575	4	ISOLATOR	



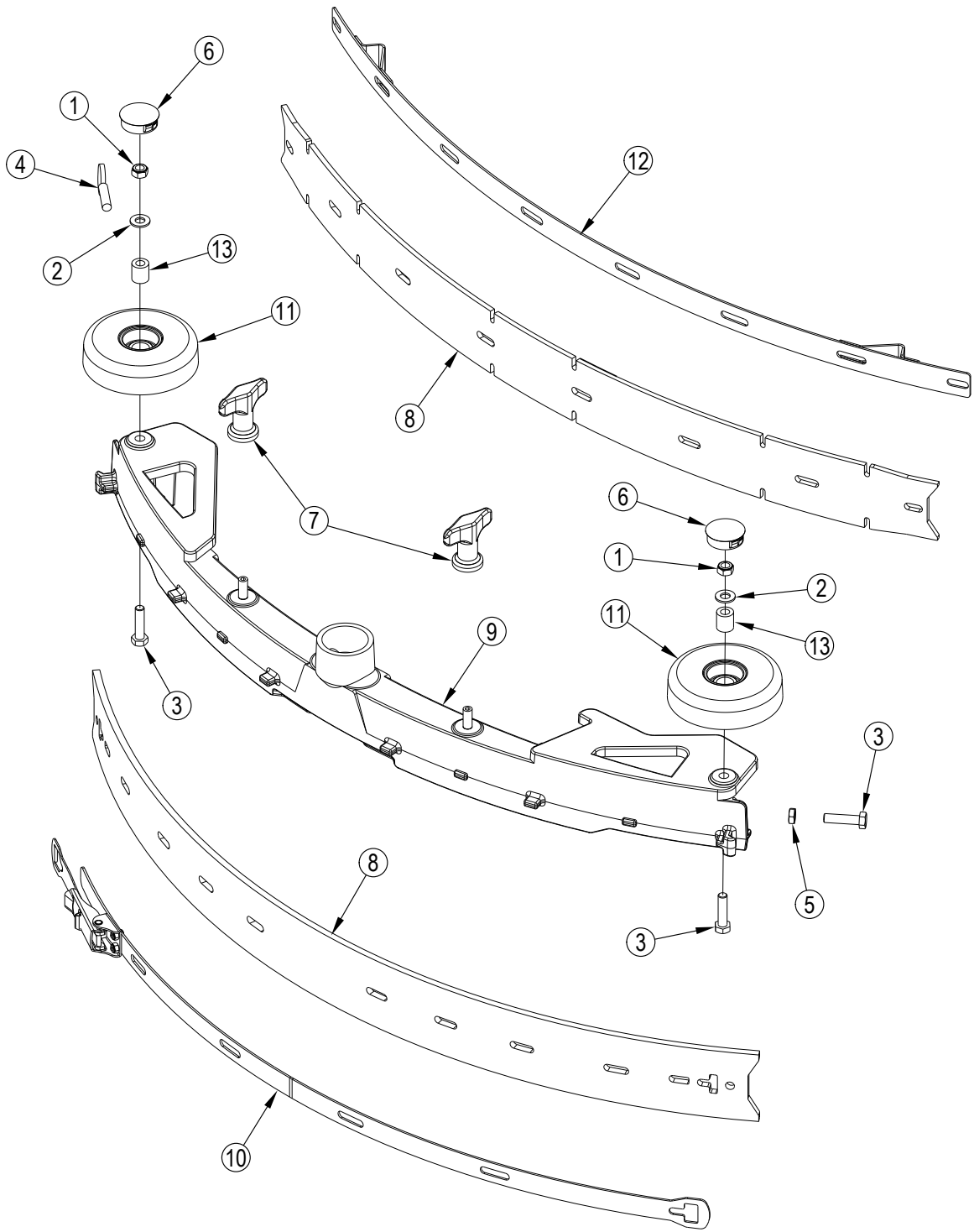
Pos.	Artikel-Nr.	Menge	Variante	Notes
	56123026	1	HORIZONTAL LIDAR ASSEMBLY	
1		3	Scr Soc M6-1.0x35	
2	56004168	2	SCR M3X8 SKT DIN912 ZNC STL	
3	56004170	3	56004170	
4		1	Bracket-Horizontal Lidar	
5		1	Plate-Mounting-Horz Lidar	
6		3	Spring Comp E00453	



Pos.	Artikel-Nr.	Menge	Variante	Notes
1	699202	1	Band, Draht 935A	
2	56002491	1	Stopmutter 1/4-20	
3	56002856	1	"Mutter Nylon LOC 5/16""	
4	56002883	1	Schraube SS1/4-20x75	
5	56002886	2	SCR HEX HD SS 3/8-16x1	
6	56002910	4	"Scheibe 3/8""	
7	56002938	2	WSH FLT SAE SS 5/16	
8	56002951	2	NUT HEX NYL LOC 3/8-24	
9	56003219	2	Mutter Zoll LOC SS 3/8 16	
10	56003222	3	"Splint 0.125"" x 0.5""	
11	56003223	1	"Splint 0.148"" x 0.62""	
12	56003262	2	Ring	
13	56003264	1	"Benzingring 0,5""	
14	56003486	1	Schraube 5/16 18x 4.00	
15	56003656	3	"Bolzen 0.375"" x 2.25""	
16	56003696	2	Unterlegscheibe	
17	56003713	2	Bolzen .38 X 3.75	
18	56009103	2	Stopmutter 3/8-24	
19	56009141	1	Mutter HEX JAM SS 5/16-18	
20	56123103	1	ACTUATOR-24V	[1]
21	56324505	6	BEARING FLANGE .376E00201	
22	56381818	1	Buchse f. Segment	
23	56390865	1	SQUEEGEE ASSEMBLY 28	[2]
24	56407303	1	Rändelmutter	
25	56412088	1	Bolzen zu BR 700	
26	56412124	1	Stützrolle	
27	56412208	1	Rolle zu BR 700C	
28	56412216	2	Zugfeder	
29	56412248	2	Scheibe	
30	56453691	1	SPACER	
31	56601037	1	WELDT-SQUEEGEE MOUNT	
32	56601038	1	WELDT-SQUEEGEE PIVOT	
33	56601257	1	CABLE ASSEMBLY	
34	56601442	1	Spindel	
35	56601460	2	Gestänge	
36	56601463	1	Unterlegscheibe	
37	56601469	2	Endstück	
38	56601512	2	Schlauch	

Part Notes:

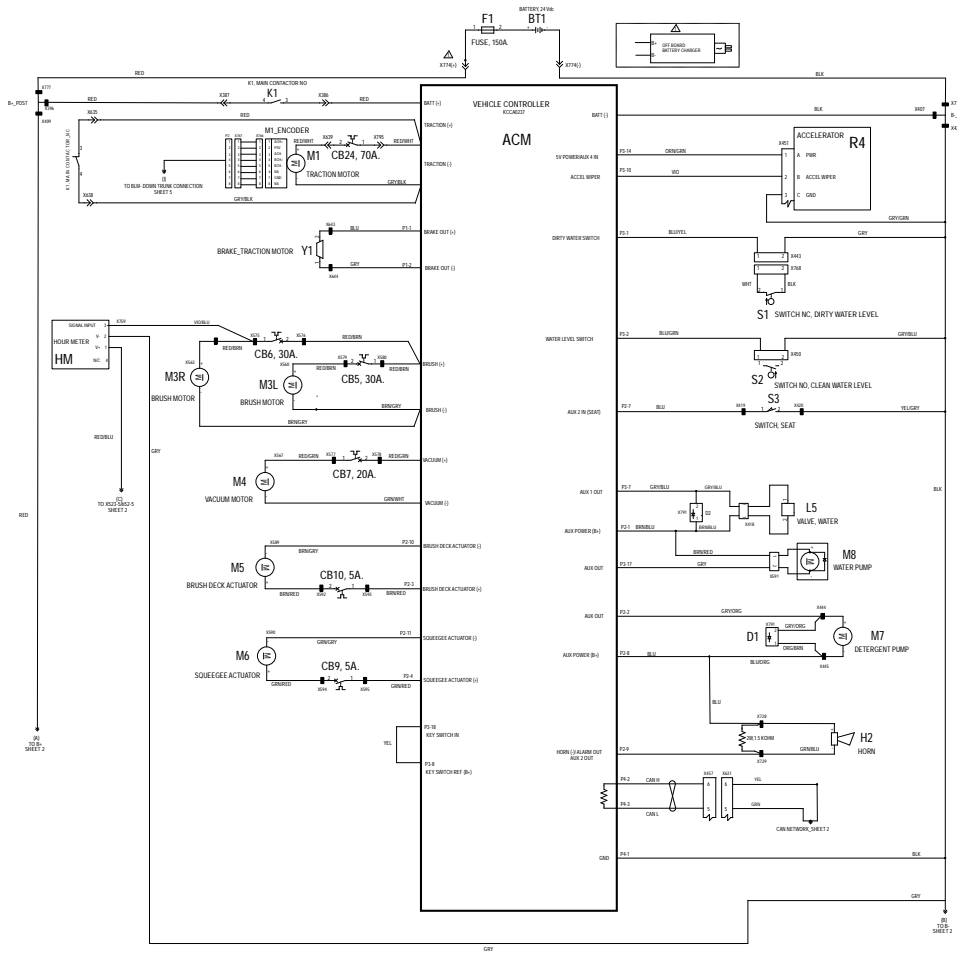
- [1] - M6, Item 20 Is also referred to as SQUEEGEE ACTUATOR
 [2] - The squeegee assembly includes Red Gum Rubber Blades



Pos.	Artikel-Nr.	Menge	Variante	Notes
	56390865	1	SQUEEGEE ASSEMBLY 28	[1]
1	56002851	2	Mutter NYL LOC-THIN SS5/	
2	56002938	2	WSH FLT SAE SS 5/16	
3	56003302	3	Schraube 5/16-18	
4	56003792	1	Schraube	
5	56009141	1	Mutter HEX JAM SS 5/16-18	
6	56111444	2	Deckel f. Rad	
7	56370711	2	Mutter	
8	56120334	1	Sauglippen-Set LINATEX-M	[2]
	56120335	1	ABSAUGLEISTEN-SET 28-GUM-M	[3]
	56120336	1	Sauglippen-Set PU-M	[3]
9	56382686	1	SQUEEGEE-CASTING 28 IN	
10	56382697	1	CLAMP-BAND 28 IN ASSY	
11	56601450	2	Rad 4,00 Od	
12	56601489	1	Befestigungsschiene	
13	56601499	2	Buchse	

Part Notes:

- [1] - These squeegee assemblies include red gum rubber blades. The squeegee Tool casting is not available for sale separately. If you need to replace the casting, please order a complete squeegee assembly
- [2] - All squeegee blade kits include both front and rear squeegee blades
- [3] - All squeegee blade kits include both front and rear squeegee blades. Optional, Not Included

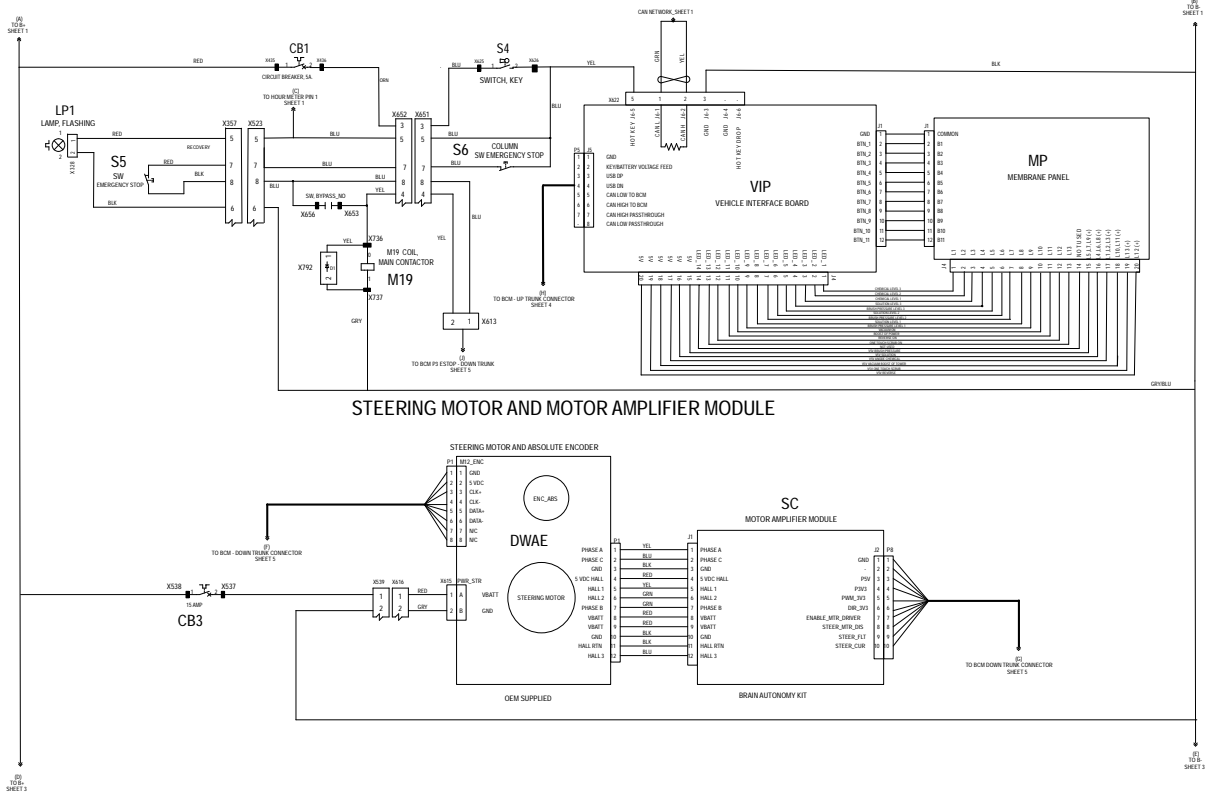


Pos.	Artikel-Nr.	Menge	Variante	Notes
BT1	56123064	1	BATTERY 6V 390 AH AGM	[1]
CB1	56315255	1	CIRCUIT BREAKER 5 AMP	
CB2	56507644	1	CIRCUIT BREAKER 10 AMP	
M4	56123141	1	MOTOR-VACUUM-24VDC	
M5	56123104	1	ACTUATOR-36V	
M6	56123103	1	ACTUATOR-24V	
Y1	56123193	1	BRAKE-PARKING	
L5	56104572	1	SOLENOID VALVE ASSEMBLY	
S1	56123342	1	RECOVERY FLOAT SWITCH KIT	[2]
S3	7-82-00050	1	Sitzschalter BR 1300 S	
S4	56123249	1	KEY SWITCH KIT	[3]
R4	56123358-Sp	1	PEDAL-UNI DIRECTION-HALL	
H2	56123271	1	HORN-BACKUP ALARM-5 TO 28 VDC	
HM	56302198	1	HOUR METER KIT	[4]
Lp1	56123286	1	BEACON-LED	
M1	56123096	1	MOTOR-DRIVE WHEEL-W/ ENCODER	
M3L	56123129	1	MOTOR GEARBOX ASSY-24V-480WATT	
M3R	56123129	1	MOTOR GEARBOX ASSY-24V-480WATT	
M8	56104588	1	PUMP-24VDC	
M9		1	Autonomy Control Module Fan	
M10	56123256	1	STEERING GEAR MOTOR KIT	[5]
M11	56123056		FAN-COOLING-60MM	
K1	56397088	1	Relais Bürstenmotor 24Vzu BA 550/650	
S2	56123245	1	SOLUTION FLOAT SWITCH KIT	
S5	56123247	1	EMERGENCY DISCONNECT KIT	[6]
S6	56123247	1	EMERGENCY DISCONNECT KIT	[6]
S7	56123265	1	START/PAUSE BUTTON KIT	[7]
S8	56381824	1	SWITCH ROCKER DPDT ON-ON	
P10	56123254	1	FRONT 3D CAMERA KIT	[8]
P14	56123262	1	3D SENSOR KIT-LEFT	[9]
P2	56123263	1	3D SENSOR KIT-RIGHT	[10]
P9	56123264	1	2D SENSOR KIT	[11]
P13	56123264	1	2D SENSOR KIT	[11]
P3	56123264	1	2D SENSOR KIT	[11]
P6	56123253	1	HORIZONTAL LIDAR KIT	[12]
P7	56123252	1	SLANTED LIDAR KIT	[13]
ACM	56123057	1	MODULE-CONTROL	[14]
			Main Machine Controller	
SC	56123059	1	MODULE-MOTOR AMPLIFIER	
DWAE	56123196	1	ENCODER-DRIVE WHEEL	
			Wheel Distance Encoder	
P1	56123325	1	COMM MODULE KIT-UNIVERSAL	[15]
P1	56123325	1	COMM MODULE KIT-UNIVERSAL	[15]
	56123250	1	CELLULAR ANTENNA KIT	[16]
ATS	56123251	1	TOUCH SCREEN KIT	[17]
VIB	56123122	1	USER INTERFACE ASSEMBLY	
P4	56123074	1	TURN SIGNAL ASSEMBLY	
P4	56123074	1	TURN SIGNAL ASSEMBLY	
P12	56123074	1	TURN SIGNAL ASSEMBLY	
P12	56123074	1	TURN SIGNAL ASSEMBLY	

Part Notes:

- [1] - TSB-FC-2022-014-SC60 Delta Q Battery Charger Algorithm Change
DE TSB-FC-2022-014 SC60 Delta Q Batterieladegerät Änderung des Algorithmus
- [2] - IS56090474 - Recovery Float Switch Kit - 56123342
- [3] - IS56090440 - Key Switch Kit - 56123249
- [4] - IS_56040583_FOR 56302198 HOUR METER KIT
- [5] - IS56090447 - Steering Gearmotor Kit - 56123256

- [6] - IS56090438 - Emergency Disconnect Kit - 56123247
IS56090438 - Emergency Disconnect Kit - 56123247
- [7] - IS56090456 - Start-Pause Button Kit - 56123265
- [8] - IS56090445 - Front 3D Camera Kit - 56123254
- [9] - IS56090453 - 3D Sensor Kit-Left - 56123262
- [10] - IS56090454 - 3D Sensor Kit-Right - 56123263
REPLACED BY 56123384
- [11] - IS56090455 - 2D Camera Kit - 56123264
- [12] - IS56090444 - Horizontal Lidar Kit - 56123253
- [13] - IS56090443 - Slanted Lidar Kit - 56123252
- [14] - EXPIRED ON 5/05/2021
- [15] - IS56090449 - Comm Module Kit-Universal - 56123325
- [16] - IS56090441 - Cellular Antenna Kit - 56123250
- [17] - IS56090442 - Touchscreen Kit - 56123251

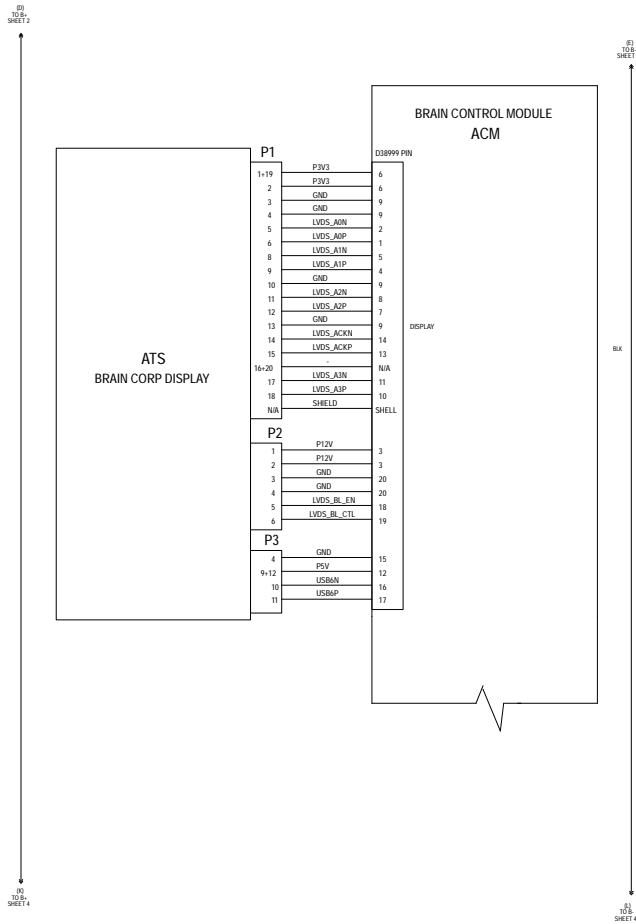


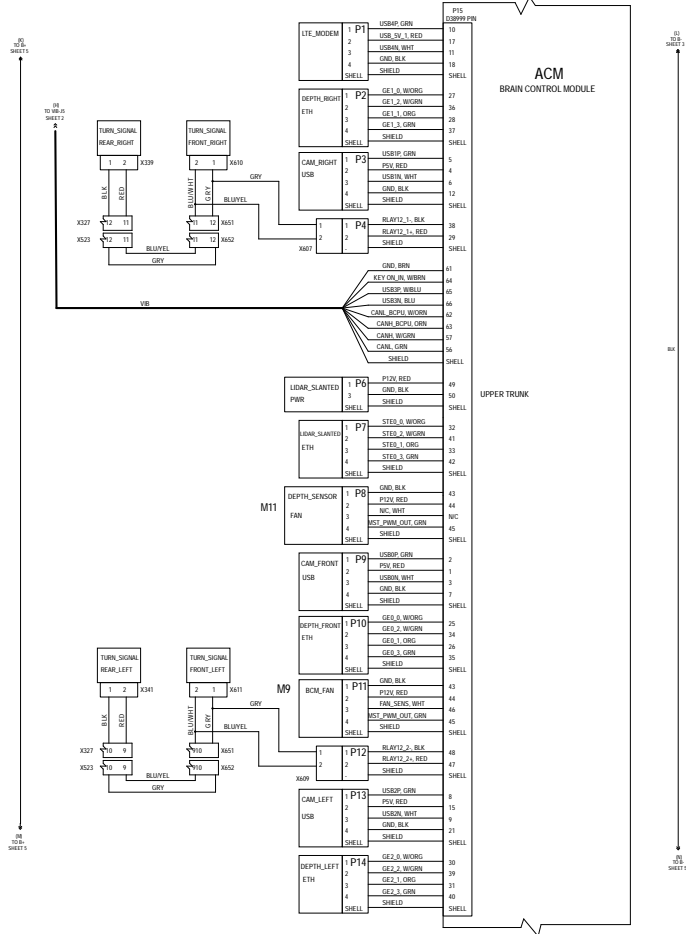
Pos.	Artikel-Nr.	Menge	Variante	Notes
BT1	56123064	1	BATTERY 6V 390 AH AGM	[1]
CB1	56315255	1	CIRCUIT BREAKER 5 AMP	
CB2	56507644	1	CIRCUIT BREAKER 10 AMP	
M4	56123141	1	MOTOR-VACUUM-24VDC	
M5	56123104	1	ACTUATOR-36V	
M6	56123103	1	ACTUATOR-24V	
Y1	56123193	1	BRAKE-PARKING	
L5	56104572	1	SOLENOID VALVE ASSEMBLY	
S1	56123342	1	RECOVERY FLOAT SWITCH KIT	[2]
S3	7-82-00050	1	Sitzschalter BR 1300 S	
S4	56123249	1	KEY SWITCH KIT	[3]
R4	56123358-Sp	1	PEDAL-UNI DIRECTION-HALL	
H2	56123271	1	HORN-BACKUP ALARM-5 TO 28 VDC	
HM	56302198	1	HOUR METER KIT	[4]
Lp1	56123286	1	BEACON-LED	
M1	56123096	1	MOTOR-DRIVE WHEEL-W/ ENCODER	
M3L	56123129	1	MOTOR GEARBOX ASSY-24V-480WATT	
M3R	56123129	1	MOTOR GEARBOX ASSY-24V-480WATT	
M8	56104588	1	PUMP-24VDC	
M9		1	Autonomy Control Module Fan	
M10	56123256	1	STEERING GEAR MOTOR KIT	[5]
M11	56123056		FAN-COOLING-60MM	
K1	56397088	1	Relais Bürstenmotor 24Vzu BA 550/650	
S2	56123245	1	SOLUTION FLOAT SWITCH KIT	
S5	56123247	1	EMERGENCY DISCONNECT KIT	[6]
S6	56123247	1	EMERGENCY DISCONNECT KIT	[6]
S7	56123265	1	START/PAUSE BUTTON KIT	[7]
S8	56381824	1	SWITCH ROCKER DPDT ON-ON	
P10	56123254	1	FRONT 3D CAMERA KIT	[8]
P14	56123262	1	3D SENSOR KIT-LEFT	[9]
P2	56123263	1	3D SENSOR KIT-RIGHT	[10]
P9	56123264	1	2D SENSOR KIT	[11]
P13	56123264	1	2D SENSOR KIT	[11]
P3	56123264	1	2D SENSOR KIT	[11]
P6	56123253	1	HORIZONTAL LIDAR KIT	[12]
P7	56123252	1	SLANTED LIDAR KIT	[13]
ACM	56123057	1	MODULE-CONTROL	[14]
			Main Machine Controller	
SC	56123059	1	MODULE-MOTOR AMPLIFIER	
DWAE	56123196	1	ENCODER-DRIVE WHEEL	
			Wheel Distance Encoder	
P1	56123325	1	COMM MODULE KIT-UNIVERSAL	[15]
P1	56123325	1	COMM MODULE KIT-UNIVERSAL	[15]
	56123250	1	CELLULAR ANTENNA KIT	[16]
ATS	56123251	1	TOUCH SCREEN KIT	[17]
VIB	56123122	1	USER INTERFACE ASSEMBLY	
P4	56123074	1	TURN SIGNAL ASSEMBLY	
P4	56123074	1	TURN SIGNAL ASSEMBLY	
P12	56123074	1	TURN SIGNAL ASSEMBLY	
P12	56123074	1	TURN SIGNAL ASSEMBLY	

Part Notes:

- [1] - TSB-FC-2022-014-SC60 Delta Q Battery Charger Algorithm Change
DE TSB-FC-2022-014 SC60 Delta Q Batterieladegerät Änderung des Algorithmus
- [2] - IS56090474 - Recovery Float Switch Kit - 56123342
- [3] - IS56090440 - Key Switch Kit - 56123249
- [4] - IS_56040583_FOR 56302198 HOUR METER KIT
- [5] - IS56090447 - Steering Gearmotor Kit - 56123256
- [6] - IS56090438 - Emergency Disconnect Kit - 56123247

- [7] - IS56090456 - Start-Pause Button Kit - 56123265
- [8] - IS56090445 - Front 3D Camera Kit - 56123254
- [9] - IS56090453 - 3D Sensor Kit-Left - 56123262
- [10] - IS56090454 - 3D Sensor Kit-Right - 56123263
REPLACED BY 56123384
- [11] - IS56090455 - 2D Camera Kit - 56123264
- [12] - IS56090444 - Horizontal Lidar Kit - 56123253
- [13] - IS56090443 - Slanted Lidar Kit - 56123252
- [14] - EXPIRED ON 5/05/2021
- [15] - IS56090449 - Comm Module Kit-Universal - 56123325
- [16] - IS56090441 - Cellular Antenna Kit - 56123250
- [17] - IS56090442 - Touchscreen Kit - 56123251



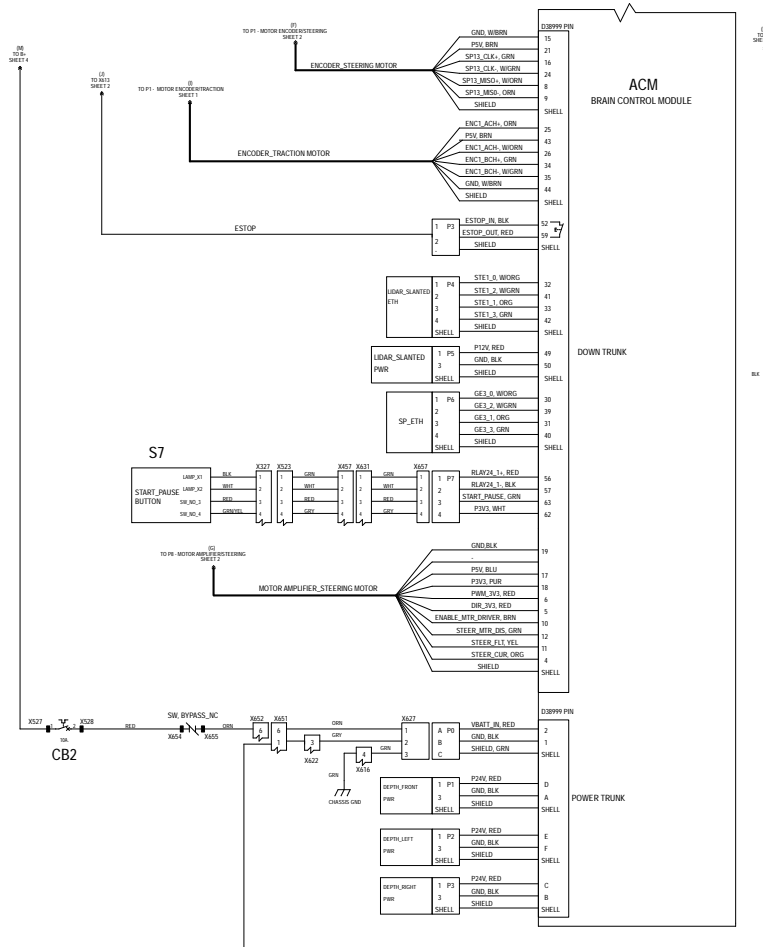


Pos.	Artikel-Nr.	Menge	Variante	Notes
BT1	56123064	1	BATTERY 6V 390 AH AGM	[1]
CB1	56315255	1	CIRCUIT BREAKER 5 AMP	
CB2	56507644	1	CIRCUIT BREAKER 10 AMP	
M4	56123141	1	MOTOR-VACUUM-24VDC	
M5	56123104	1	ACTUATOR-36V	
M6	56123103	1	ACTUATOR-24V	
Y1	56123193	1	BRAKE-PARKING	
L5	56104572	1	SOLENOID VALVE ASSEMBLY	
S1	56123342	1	RECOVERY FLOAT SWITCH KIT	[2]
S3	7-82-00050	1	Sitzschalter BR 1300 S	
S4	56123249	1	KEY SWITCH KIT	[3]
R4	56123358-Sp	1	PEDAL-UNI DIRECTION-HALL	
H2	56123271	1	HORN-BACKUP ALARM-5 TO 28 VDC	
HM	56302198	1	HOUR METER KIT	[4]
Lp1	56123286	1	BEACON-LED	
M1	56123096	1	MOTOR-DRIVE WHEEL-W/ ENCODER	
M3L	56123129	1	MOTOR GEARBOX ASSY-24V-480WATT	
M3R	56123129	1	MOTOR GEARBOX ASSY-24V-480WATT	
M8	56104588	1	PUMP-24VDC	
M9		1	Autonomy Control Module Fan	
M10	56123256	1	STEERING GEAR MOTOR KIT	[5]
M11	56123056		FAN-COOLING-60MM	
K1	56397088	1	Relais Bürstenmotor 24Vzu BA 550/650	
S2	56123245	1	SOLUTION FLOAT SWITCH KIT	
S5	56123247	1	EMERGENCY DISCONNECT KIT	[6]
S6	56123247	1	EMERGENCY DISCONNECT KIT	[6]
S7	56123265	1	START/PAUSE BUTTON KIT	[7]
S8	56381824	1	SWITCH ROCKER DPDT ON-ON	
P10	56123254	1	FRONT 3D CAMERA KIT	[8]
P14	56123262	1	3D SENSOR KIT-LEFT	[9]
P2	56123263	1	3D SENSOR KIT-RIGHT	[10]
P9	56123264	1	2D SENSOR KIT	[11]
P13	56123264	1	2D SENSOR KIT	[11]
P3	56123264	1	2D SENSOR KIT	[11]
P6	56123253	1	HORIZONTAL LIDAR KIT	[12]
P7	56123252	1	SLANTED LIDAR KIT	[13]
ACM	56123057	1	MODULE-CONTROL	[14]
			Main Machine Controller	
SC	56123059	1	MODULE-MOTOR AMPLIFIER	
DWAE	56123196	1	ENCODER-DRIVE WHEEL	
			Wheel Distance Encoder	
P1	56123325	1	COMM MODULE KIT-UNIVERSAL	[15]
P1	56123325	1	COMM MODULE KIT-UNIVERSAL	[15]
	56123250	1	CELLULAR ANTENNA KIT	[16]
ATS	56123251	1	TOUCH SCREEN KIT	[17]
VIB	56123122	1	USER INTERFACE ASSEMBLY	
P4	56123074	1	TURN SIGNAL ASSEMBLY	
P4	56123074	1	TURN SIGNAL ASSEMBLY	
P12	56123074	1	TURN SIGNAL ASSEMBLY	
P12	56123074	1	TURN SIGNAL ASSEMBLY	

Part Notes:

- [1] - TSB-FC-2022-014-SC60 Delta Q Battery Charger Algorithm Change
DE TSB-FC-2022-014 SC60 Delta Q Batterieladegerät Änderung des Algorithmus
- [2] - IS56090474 - Recovery Float Switch Kit - 56123342
- [3] - IS56090440 - Key Switch Kit - 56123249
- [4] - IS_56040583_FOR 56302198 HOUR METER KIT
- [5] - IS56090447 - Steering Gearmotor Kit - 56123256
- [6] - IS56090438 - Emergency Disconnect Kit - 56123247

- [7] - IS56090456 - Start-Pause Button Kit - 56123265
- [8] - IS56090445 - Front 3D Camera Kit - 56123254
- [9] - IS56090453 - 3D Sensor Kit-Left - 56123262
- [10] - IS56090454 - 3D Sensor Kit-Right - 56123263
REPLACED BY 56123384
- [11] - IS56090455 - 2D Camera Kit - 56123264
- [12] - IS56090444 - Horizontal Lidar Kit - 56123253
- [13] - IS56090443 - Slanted Lidar Kit - 56123252
- [14] - EXPIRED ON 5/05/2021
- [15] - IS56090449 - Comm Module Kit-Universal - 56123325
- [16] - IS56090441 - Cellular Antenna Kit - 56123250
- [17] - IS56090442 - Touchscreen Kit - 56123251



Pos.	Artikel-Nr.	Menge	Variante	Notes
BT1	56123064	1	BATTERY 6V 390 AH AGM	[1]
CB1	56315255	1	CIRCUIT BREAKER 5 AMP	
CB2	56507644	1	CIRCUIT BREAKER 10 AMP	
M4	56123141	1	MOTOR-VACUUM-24VDC	
M5	56123104	1	ACTUATOR-36V	
M6	56123103	1	ACTUATOR-24V	
Y1	56123193	1	BRAKE-PARKING	
L5	56104572	1	SOLENOID VALVE ASSEMBLY	
S1	56123342	1	RECOVERY FLOAT SWITCH KIT	[2]
S3	7-82-00050	1	Sitzschalter BR 1300 S	
S4	56123249	1	KEY SWITCH KIT	[3]
R4	56123358-Sp	1	PEDAL-UNI DIRECTION-HALL	
H2	56123271	1	HORN-BACKUP ALARM-5 TO 28 VDC	
HM	56302198	1	HOUR METER KIT	[4]
Lp1	56123286	1	BEACON-LED	
M1	56123096	1	MOTOR-DRIVE WHEEL-W/ ENCODER	
M3L	56123129	1	MOTOR GEARBOX ASSY-24V-480WATT	
M3R	56123129	1	MOTOR GEARBOX ASSY-24V-480WATT	
M8	56104588	1	PUMP-24VDC	
M9		1	Autonomy Control Module Fan	
M10	56123256	1	STEERING GEAR MOTOR KIT	[5]
M11	56123056		FAN-COOLING-60MM	
K1	56397088	1	Relais Bürstenmotor 24Vzu BA 550/650	
S2	56123245	1	SOLUTION FLOAT SWITCH KIT	
S5	56123247	1	EMERGENCY DISCONNECT KIT	[6]
S6	56123247	1	EMERGENCY DISCONNECT KIT	[6]
S7	56123265	1	START/PAUSE BUTTON KIT	[7]
S8	56381824	1	SWITCH ROCKER DPDT ON-ON	
P10	56123254	1	FRONT 3D CAMERA KIT	[8]
P14	56123262	1	3D SENSOR KIT-LEFT	[9]
P2	56123263	1	3D SENSOR KIT-RIGHT	[10]
P9	56123264	1	2D SENSOR KIT	[11]
P13	56123264	1	2D SENSOR KIT	[11]
P3	56123264	1	2D SENSOR KIT	[11]
P6	56123253	1	HORIZONTAL LIDAR KIT	[12]
P7	56123252	1	SLANTED LIDAR KIT	[13]
ACM	56123057	1	MODULE-CONTROL	[14]
			Main Machine Controller	
SC	56123059	1	MODULE-MOTOR AMPLIFIER	
DWAE	56123196	1	ENCODER-DRIVE WHEEL	
			Wheel Distance Encoder	
P1	56123325	1	COMM MODULE KIT-UNIVERSAL	[15]
P1	56123325	1	COMM MODULE KIT-UNIVERSAL	[15]
	56123250	1	CELLULAR ANTENNA KIT	[16]
ATS	56123251	1	TOUCH SCREEN KIT	[17]
VIB	56123122	1	USER INTERFACE ASSEMBLY	
P4	56123074	1	TURN SIGNAL ASSEMBLY	
P4	56123074	1	TURN SIGNAL ASSEMBLY	
P12	56123074	1	TURN SIGNAL ASSEMBLY	
P12	56123074	1	TURN SIGNAL ASSEMBLY	

Part Notes:

- [1] - TSB-FC-2022-014-SC60 Delta Q Battery Charger Algorithm Change
DE TSB-FC-2022-014 SC60 Delta Q Batterieladegerät Änderung des Algorithmus
- [2] - IS56090474 - Recovery Float Switch Kit - 56123342
- [3] - IS56090440 - Key Switch Kit - 56123249
- [4] - IS_56040583_FOR 56302198 HOUR METER KIT
- [5] - IS56090447 - Steering Gearmotor Kit - 56123256
- [6] - IS56090438 - Emergency Disconnect Kit - 56123247

- [7] - IS56090456 - Start-Pause Button Kit - 56123265
- [8] - IS56090445 - Front 3D Camera Kit - 56123254
- [9] - IS56090453 - 3D Sensor Kit-Left - 56123262
- [10] - IS56090454 - 3D Sensor Kit-Right - 56123263
REPLACED BY 56123384
- [11] - IS56090455 - 2D Camera Kit - 56123264
- [12] - IS56090444 - Horizontal Lidar Kit - 56123253
- [13] - IS56090443 - Slanted Lidar Kit - 56123252
- [14] - EXPIRED ON 5/05/2021
- [15] - IS56090449 - Comm Module Kit-Universal - 56123325
- [16] - IS56090441 - Cellular Antenna Kit - 56123250
- [17] - IS56090442 - Touchscreen Kit - 56123251

**No
Diagram
Available**

**Parts List
Only**

Pos.	Artikel-Nr.	Menge	Variante	Notes
			Kits	
	56123221	1	CHARGER-BATT-24VDC-41.3A-SHLF	[1]
	56390865	1	SQUEEGEE ASSEMBLY 28	
			Service Kits	
	56123245	1	SOLUTION FLOAT SWITCH KIT	
	56123247	1	EMERGENCY DISCONNECT KIT	[2]
	56123248	1	DISC MACHINE CONTROLLER KIT	
	56123249	1	KEY SWITCH KIT	[3]
	56123250	1	CELLULAR ANTENNA KIT	[4]
	56123251	1	TOUCH SCREEN KIT	[5]
	56123252	1	SLANTED LIDAR KIT	[6]
	56123253	1	HORIZONTAL LIDAR KIT	[7]
	56123254	1	FRONT 3D CAMERA KIT	[8]
	56123057	1	MODULE-CONTROL	[9]
	56123256	1	STEERING GEAR MOTOR KIT	[10]
	56123325	1	COMM MODULE KIT-UNIVERSAL	[11]
	56123260	1	DOWN TRUNK HARNESS KIT	[12]
	56123259	1	UPPER TRUNK HARNESS KIT	[12]
	56123262	1	3D SENSOR KIT-LEFT	[13]
	56123261	1	POWER TRUNK HARNESS KIT	[12]
	56123263	1	3D SENSOR KIT-RIGHT	[14]
	56123264	1	2D SENSOR KIT	[15]
	56123265	1	START/PAUSE BUTTON KIT	[16]
	56302198	1	HOUR METER KIT	[17]
			Accessories	
	56123215	1	SEAT BELT KIT	[18]
	56123300	1	SEAT KIT	[19]
	56123328	2	BLUE LIGHT KIT	[20]
	56601708	1	BATTERY SPACER	
	56044736	1	LITERATURE PACK	
	56123087	1	HOME LOCATION PACK-STD	
			Squeegee Blade Kits (See Squeegee Blade Selector Guide)	
	56120334	1	Sauglippen-Set LINATEX-M	
	56120335	1	ABSAUGLEISTEN-SET 28-GUM-M	
	56120336	1	Sauglippen-Set PU-M	
			Disc Deck Blade Kits	
	56383488	1	Seitenschürze-Set, Gummi	
	56383489	1	Seitenschürze-Set, Gummi rot	
	56383490	1	Seitenschürze-Set, PU	
	56123283	1	BRUSH SKIRT ASSY-28-34D-RH-RED	[21]
	56123362	1	SIDE BLADE ASSEMBLY-LEFT-71D	
	56601248	1	Gummilippe vorn	
	56601521	1	Sauglippe vorne	
			Disc Scrub Brushes (See Brush Selector Guide)	
	56505195	1	Padverschluss m. Spange	
	56505800	1	Padhalter 14" Ø355 mm	
	56384450	1	PAD-MAROON-14-10/CS	
	10001920	1	Eco Pad 14", Ø 355 mm, rot, VPE 5	
	56505801	1	Bürste Sica hart, Magna Grit 46	
	56505802	1	Bürste Sica mittel, Dyna Grit 360 mm	
	56505803	1	Bürste Sica weich 14"	
	56505804	1	Bürste Prolene 14"	
	56505805	1	Bürste PPN weich Prolite	
	56505806	1	Bürste Union Mix	
	56505807	1	Bürste Sica weich, Grit 240	
	56505808	1	Bürste Sica, Grit 180	
			Service tools	
	56205281	1	GAUGE VACUUM HP96	
	56407502	1	Kit zu Testvorrichtung	

Pos.	Artikel-Nr.	Menge	Variante	Notes
	56122722	1	TARGET-CYLINDER-2.76	
	56122723	1	TARGET-CYLINDER-7.87	
	56123288	1	LIDAR FIELD CALIBRATION KIT	

Part Notes:

- [1] - TSB-FC-2022-014-SC60 Delta Q Battery Charger Algorithm Change
DE TSB-FC-2022-014 SC60 Delta Q Batterieladegerät Änderung des Algorithmus
Delta-Q_RC-Series_BatteryCharger_UserManual_R2 (1)
- [2] - IS56090438 - Emergency Disconnect Kit - 56123247
- [3] - IS56090440 - Key Switch Kit - 56123249
- [4] - IS56090441 - Cellular Antenna Kit - 56123250
- [5] - IS56090442 - Touchscreen Kit - 56123251
- [6] - IS56090443 - Slanted Lidar Kit - 56123252
- [7] - IS56090444 - Horizontal Lidar Kit - 56123253
- [8] - IS56090445 - Front 3D Camera Kit - 56123254
- [9] - EXPIRED ON 5/05/2021
- [10] - IS56090447 - Steering Gearmotor Kit - 56123256
- [11] - IS56090449 - Comm Module Kit-Universal - 56123325
- [12] - EXPIRED NO REPLACEMENT
- [13] - IS56090453 - 3D Sensor Kit-Left - 56123262
- [14] - IS56090454 - 3D Sensor Kit-Right - 56123263
REPLACED BY 56123384
- [15] - IS56090455 - 2D Camera Kit - 56123264
- [16] - IS56090456 - Start-Pause Button Kit - 56123265
- [17] - IS_56040583_FOR 56302198 HOUR METER KIT
- [18] - IS56090457 - Seat Belt Kit - 56123215
- [19] - IS56090463 - Seat Kit - 56123300
- [20] - IS56090468 - Blue Light Kit - 56123328
- [21] - EXPIRED USE 56123361

**No
Diagram
Available**

**Parts List
Only**

Pos.	Artikel-Nr.	Menge	Variante	Notes
			CHASSIS SYSTEM	
			Extra-Ordinary Maintenance	
E	56123280	1	LIDAR COVER ASSEMBLY	
E	56123212	1	GUARD-FRONT-WHEEL	
E	56123050	1	CHASSIS WELDMENT	
			Normal Wear	
W	56123213	1	Frontschürze	
W	56123210	1	Lamelle links	
W	56123206	1	Lamelle rechts	
			DRIVE AND WHEEL SYSTEM	
			Ordinary Maintenance	
O	56601509	1	Kohlebürstenkit	
O	56422174	1	TIRE PULLER KIT	
			Normal Wear	
W	56382693	2	Rad	
W	56123295	1	CHAIN-ROLLER	
			Extra-Ordinary Maintenance	
E	56123191	1	TIRE/HUB ASSEMBLY	
E	56123096	1	MOTOR-DRIVE WHEEL-W/ ENCODER	
E	56123196	1	ENCODER-DRIVE WHEEL	
E	56158143	1	Lagerschale	
E	56158151	1	Kegelrollenlager	
E	56171081	1	Simmenring	
			STEERING SYSTEM	
			Extra-Ordinary Maintenance	
E	56117942	1	UJOINT-DOUBLE-18MM	
E	56123013	1	STEERING COLUMN WELDMENT	
E	56123020	1	LOWER COLUMN MOUNT WELDMENT	
			AUTONOMY SYSTEM	
			Extra-Ordinary Maintenance	
E	56123252	1	SLANTED LIDAR KIT	[1]
E	56123253	1	HORIZONTAL LIDAR KIT	[2]
E	56123254	1	FRONT 3D CAMERA KIT	[3]
E	56123057	1	MODULE-CONTROL	[4]
E	56123256	1	STEERING GEAR MOTOR KIT	[5]
E	56123325	1	COMM MODULE KIT-UNIVERSAL	[6]
E	56123325	1	COMM MODULE KIT-UNIVERSAL	[6]
E	56123259	1	UPPER TRUNK HARNESS KIT	[7]
E	56123260	1	DOWN TRUNK HARNESS KIT	[7]
E	56123261	1	POWER TRUNK HARNESS KIT	[7]
E	56123262	1	3D SENSOR KIT-LEFT	[8]
E	56123263	1	3D SENSOR KIT-RIGHT	[9]
E	56123264	1	2D SENSOR KIT	[10]
E	56123265	1	START/PAUSE BUTTON KIT	[11]
E	56123250	1	CELLULAR ANTENNA KIT	[12]
E	56123251	1	TOUCH SCREEN KIT	[13]
			ELECTRICAL SYSTEM	
			Ordinary Maintenance	
o	56315255	1	CIRCUIT BREAKER 5 AMP	
o	56315256	1	CIRCUIT BREAKER 30 AMP	
o	56413822	1	CIRCUIT BREAKER 20 AMP	
o	56454429	1	CIRCUIT BREAKER 70A	
o	56507644	1	CIRCUIT BREAKER 10 AMP	
			Extra-Ordinary Maintenance	
E	56123266	1	DIODE-TERMINATING-DT SERIES	
E	56123122	1	USER INTERFACE ASSEMBLY	
E	56123130	1	HARNESS-RECOVERY LID	
E	56123131	1	HARNESS-COLUMN	
E	56123132	1	CABLE ASM-MACHINE	

Recommended Spare Parts

SC60 710C N

2021.02.26

2021.12.21

Pos.	Artikel-Nr.	Menge	Variante	Notes
E	56123133	1	CABLE ASM-BATTERY	
E	56123134	1	HARNESS-TRACTION	
E	56123248	1	DISC MACHINE CONTROLLER KIT	
E	56115432	1	FUSE-150 AMP	
E	56123102	1	MAIN HARNESS	
			SCRUB SYSTEM-CYLINDRICAL	
			Ordinary Maintenance	
O	56412257	1	BRUSH CAP ASSY	
O	56412287	1	Kohlenbürstenset m. Federkompl. BA 755/8	
			Extra-Ordinary Maintenance	
E	56315061	2	Motor 24V 5HP	
E	56123105	1	ACTUATOR ASSEMBLY	
			Normal Wear	
W	56117309-SP	1	BLADE-CYLINDRICAL-RED	
			SCRUB SYSTEM-DISC	
			Ordinary Maintenance	
O	56601534	1	Bürstenmotor	
O	56388520	1	Spindelmutter	
O	56412262	1	Federgehäuse BA750/850	
			Extra-Ordinary Maintenance	
E	56123129	2	MOTOR GEARBOX ASSY-24V-480WATT	
E	56314785	2	Getriebe	
E	56123105	1	ACTUATOR ASSEMBLY	
			Normal Wear	
W	56383488	1	Seitenschürze-Set, Gummi	
W	56601248	1	Gummilippe vorn	
			SOLUTION SYSTEM	
			Ordinary Maintenance	
O	56315296	1	Frischwasserfilter	
			Extra-Ordinary Maintenance	
E	56104572	1	SOLENOID VALVE ASSEMBLY	
E	56104588	1	PUMP-24VDC	
			RECOVERY SYSTEM	
			Ordinary Maintenance	
O	56344168	2	Filter	
O	56383319	1	DRAIN HOSE ASSY-1.5	
O	56394602	1	HOSE-REC-1.5 X 46	
			Normal Wear	
W	56601125	1	Filter	
			SQUEEGEE SYSTEM	
			Normal Wear	
W	56120334	1	Sauglippen-Set LINATEX-M	
			Extra-Ordinary Maintenance	
E	56123103	1	ACTUATOR-24V	
E	56390865	1	SQUEEGEE ASSEMBLY 28	
			DECAL SYSTEM	
			Extra-Ordinary Maintenance	
E	56014601	1	DECAL, CAUTION	
E	1463789000	1	DECAL NILFISK 210X83MM F LIGHT GREY SURF	
E	56123048	1	DECAL-CIRCUIT BREAKER	
E	56123065	1	DECAL-BYPASS	
E	56123069	1	DECAL-CIRCUIT BREAKER	
E	56123083	1	DECAL-CHEMICAL RATIO	
E	56123085	1	DECAL-BATTERY WIRING	
E	56123086	1	DECAL-KEY SWITCH	
E	56123099	1	DECAL-LIBERTY SC60	
E	56123156	2	DECAL-EMERGENCY STOP	
E	56123157	1	DECAL-PLAY/PAUSE	
E	56123162	1	DECAL-BRAIN CORP	

Pos.	Artikel-Nr.	Menge	Variante	Notes
E	56394259	1	DECAL-PROP 65	
E	56123200	1	DECAL-PATENT-NILFISK-BRAIN	[14]
E	56394259	1	DECAL-PROP 65	

Part Notes:

- [1] - IS56090443 - Slanted Lidar Kit - 56123252
- [2] - IS56090444 - Horizontal Lidar Kit - 56123253
- [3] - IS56090445 - Front 3D Camera Kit - 56123254
- [4] - EXPIRED ON 5/05/2021
- [5] - IS56090447 - Steering Gearmotor Kit - 56123256
- [6] - IS56090449 - Comm Module Kit-Universal - 56123325
- [7] - EXPIRED NO REPLACEMENT
- [8] - IS56090453 - 3D Sensor Kit-Left - 56123262
- [9] - IS56090454 - 3D Sensor Kit-Right - 56123263
REPLACED BY 56123384
- [10] - IS56090455 - 2D Camera Kit - 56123264
- [11] - IS56090456 - Start-Pause Button Kit - 56123265
- [12] - IS56090441 - Cellular Antenna Kit - 56123250
- [13] - IS56090442 - Touchscreen Kit - 56123251
- [14] - Obsolete: replaced by 56040140

BRUSH SELECTOR GUIDE

We provide brushes and pad holders that will give you the best possible performance between machine and floor. Following are descriptions of the materials and their applications.

- ProLite:** Bristles are made from light-duty polypropylene for general scrubbing when you do not want to scratch or remove finish from the floor. Recommended for use in place of red pads.
- Prolene:** Polypropylene material for medium-duty scrubbing on concrete, terrazzo and vinyl floor tile. Recommended for use in place of green or blue pads.
- Union Mix:** Medium grade natural fibers for polishing finished floors with standard-speed equipment. Recommended for use in place of white pads.
- AgLite Grit 500:** For light scrubbing when used wet; buffing or polishing when used dry on urethane coated, sealed concrete or other resilient hard surface floors. Recommended for use in place of red or white pads.
- MidGrit 240:** For general purpose scrubbing when you need a lighter action for sealed or unsealed concrete, stone, terrazzo, quarry tile and other resilient hard floor surfaces. Recommended for use in place of green or blue pads.
- MidLite Grit 180:** For general purpose scrubbing of sealed or unsealed concrete, stone, terrazzo, quarry tile and other resilient hard floor surfaces. Recommended for use in place of green or blue pads.
- Dyna Grit 80:** For aggressive, heavy-duty scrubbing or stripping of floors. Recommended for use in place of brown pads.
- Magna Grit 46:** For extreme heavy-duty scrubbing or stripping of floors. This brush has extra large diameter silicon carbide grit impregnated synthetic bristles. Recommended for use in place of black pads.
- Short Trim**
- Pad Holder:** Made with a structural foam block and center ring for correct pad centering. It has a "shower feed" design for getting solution to the floor.

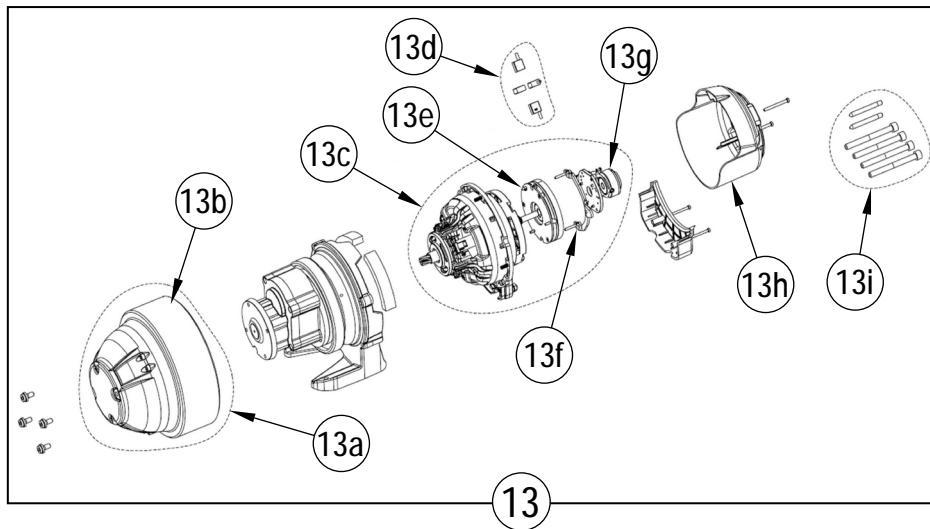
28" BRUSHES

- 56505800 - Short Trim Pad Holder
- 56505195 - Pad Retainer for 56505800
- 56505805 - ProLite
- 56505804 - Prolene
- 56505806 - Union Mix
- 56505803 - AgLite Grit 500
- 56505807 - MidGrit 240
- 56505808 - MidLite Grit 180
- 56505802 - Dyna Grit 80
- 56505801 - Magna Grit 46

DISC BRUSH APPLICATION GUIDE (SUGGESTION ONLY)

Application	46 Grit	80 Grit	180 Grit	240 Grit	500 Grit	Prolene	Prolite	Union Mix
Stripping:								
Concrete	X	X						
Terrazzo	X	X						
Ceramic/Quarry tile		X						
Vinyl tile		X						
General Scrubbing:								
Concrete	X	X	X	X		X		
Terrazzo			X	X	X	X		
Ceramic/Quarry tile			X	X	X	X		
Marble					X		X	
Vinyl tile			X		X	X		
Raised-rubber tile					X		X	
Polishing:								
Raised Disc Tile								X
Marble								X
Vinyl tile								X

Pos.	Artikel-Nr.	Menge	Variante	Notes
	56505800		Padhalter 14" Ø355 mm	
	56505195		Padverschluss m. Spange	
	56505805		Bürste PPN weich Prolite	
	56505804		Bürste Prolene 14"	
	56505806		Bürste Union Mix	
	56505803		Bürste Sica weich 14"	
	56505807		Bürste Sica weich, Grit 240	
	56505808		Bürste Sica, Grit 180	
	56505802		Bürste Sica mittel, Dyna Grit 360 mm	
	56505801		Bürste Sica hart, Magna Grit 46	



Pos.	Artikel-Nr.	Menge	Variante	Notes
13	56123096	1	MOTOR-DRIVE WHEEL-W/ ENCODER	[1]
13a	56123191	1	TIRE/HUB ASSEMBLY	
13b	56601471	1	Rad	
13c	56123192	1	MOTOR-DRIVE WHEEL	
13d	56601509	1	Kohlebürstenkit	
13e	56123193	1	BRAKE-PARKING	[2]
13f	56380310	1	KIT BRAKE LEVER	
13g	56123196	1	ENCODER-DRIVE WHEEL	[3]
13h	56123194	1	COVER-DRIVE MOTOR	
13i	56422174	1	TIRE PULLER KIT	

Part Notes:

- [1] - M1, Item 13 Is also refered to as DRIVE WHEEL MOTOR
- [2] - Y1, Item 13e Is also refered to as EM BRAKE
- [3] - DWAE, Item 13g Is also refered to as DRIVE WHEEL ANGLE ENCODER

